

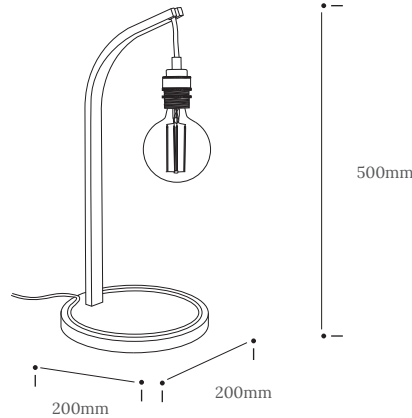
# MOORING TABLE LIGHT

Product Specification

# Tom Raffield

Mooring Table Light

Oak - £195







An exposed flex traces a proud line, base to tip. From its signature curve to its filament bulb, the Mooring Lighting Range captures the barefaced beauty of tidal landscapes.

Handcrafted in sustainably sourced solid oak, the Mooring's steam bent curve arches from its oak base, while its prominent flex tethers it home. A naked bulb haloes out light, bright and striking in the dark, perfectly positioned for illuminating a side table or desk.

Juxtaposing traditional techniques with an industrial aesthetic, here function becomes feature; substance and style.

Show your design colours.

The Mooring range is available with either red or grey flex, and as a floor light.

Product Type : Table Light	SKU	Wood types	Dimensions L x W x H (mm)		Weight (kg)	
			Unboxed	Boxed	Unboxed	Boxed
Mooring Table Light and LED Filament Bulb - Grey Flex	TR-MRG-TBL-O	Oak	200 x 200 x 500	225 x 225 x 530	1.2	3.1
	TR-MRG-TBL-O-RED	Oak	200 x 200 x 500	225 x 225 x 530	1.2	3.1
Mooring Table Light and LED Filament Bulb - Red Flex						
Materials	Oak				Other materials	
Finish	Finished with a blend of natural wax oils to give a protective, hardwearing and beautiful finish.					
Wiring kit options	Brass bulb holder with black inline switch and plug 	Wiring kit	Flex	Reccomended light bulb		
		Plastic inline switch 	Flex colour: grey/red fabric 	Max 25W LED		
		E27 (240v)	Cable length: 228cm from plug to bulb holder			
Care information	Dusting your light regularly and with a light feather duster should keep your light looking clean, otherwise wipe with a damp cloth and remove any moisture with a dry cloth. Gentle furniture polishes can also be used.					
Additional information	<ul style="list-style-type: none"> <li>Suitable for use on 240v circuits.</li> <li>This product can be plugged straight into a 240v outlet.</li> </ul>					

Tom Raffield Ltd, F3 Church View Business Park, Bickland Water Rd, Falmouth TR11 4FZ, UK  
 tomraffield.com contact@tomraffield.com +44 (0) 1326 722725 #tomraffield @tomraffield

Due to the character of handcrafted natural products, all dimensions are approximate. Wood colour may slightly vary.  
 All products, prices and leadtimes are correct at time of print and are subject to change without notice.