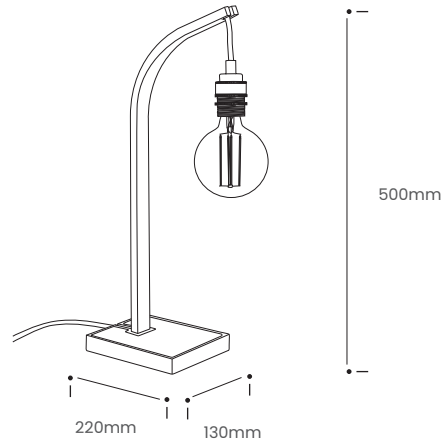


WHEEL TABLE LIGHT

Product Specification

Tom Raffield

Wheal Table Light








Reflecting metal shines under a suspended filament bulb. Our Wheal Lighting Range blends nature with elegance to put the lustre in illumination.

An arching curve of steam bent oak towers up from a brass base plate. An alluring contrast of wood and metal. Modern. Refined. Enticing. Clasped in a polished brass fitting, bright light catches and bounces off its surface, while its stem positions light at just the right height for illuminating a side table or desk.

Introduce opulence. Amplify.

The Wheal Lighting Range is also available as a wall light and a floor light.

| Product Type : Table Light | SKU | Wood types | Dimensions L x W x H (mm) | | Weight (kg) | |
|----------------------------|---|---|--|-----------------|------------------------|-------|
| | | | Unboxed | Boxed | Unboxed | Boxed |
| Wheal Table Light | TR-WHL-TBL-O | Oak | 220 x 130 x 500 | 540 x 312 x 165 | 0.75 | 1.75 |
| Materials | Oak  | | Other materials | | | |
| | | | Brass plate  | | | |
| Finish | Finished with a blend of natural wax oils to give a protective, hardwearing and beautiful finish. | | | | | |
| Wiring kit options | Brass bulb holder with black inline switch and plug  | Wiring kit | Flex | | Recommended light bulb | |
| | | Plastic inline switch  | Flex colour: grey fabric  | | Max 25W LED | |
| | | E27 (240v) | Cable length: 228cm from plug to bulb holder | | | |
| Care information | Dusting your light regularly and with a light feather duster should keep your light looking clean, otherwise wipe with a damp cloth and remove any moisture with a dry cloth. Gentle furniture polishes can also be used. | | | | | |
| Additional information | <ul style="list-style-type: none"> Suitable for use on 240v circuits. This product can be plugged straight into a 240v outlet. | | | | | |