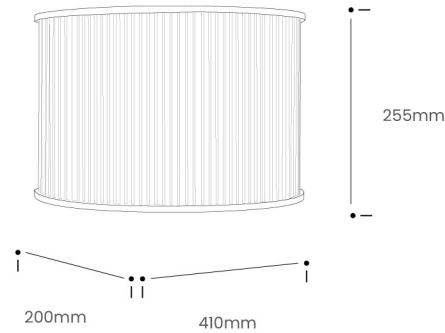


EDDY WALL LIGHT

Product Specification

Tom Raffield

Eddy Wall Light



A cage of fine dowel diffracts soft, focal light to spaces high and low. A light show of radiating shadow, the Eddy Wall Light invites ambience and serenity – with subtle elegance.

Switched on or off, the Eddy Wall Light’s intricate alliance of birch dowels align to become the focal point of any interior space. A master of disguise, the Eddy Wall Light encompasses its bulb to emulate a soft, translucent glow.

Add opulence. Stimulate sensuality.

Product Type : Wall Light	SKU	Wood types	Dimensions L x W x H (mm)		Weight (kg)	
			Unboxed	Boxed	Unboxed	Boxed
Eddy Wall Light	TR-ED-WL-B	Birch	410 x 200 x 255	470 x 465 x 325	0.4	2.7
Materials	Birch				Other materials	
					Oak hanging bracket	
Finish	Hanging bracket - Finished with a blend of natural wax oils to give a protective, hardwearing and beautiful finish. Shade - Non-toxic, hard wearing water based varnish - satin					
Wall kit options	Brushed brass rose and bulb holder	Wall kit Rose: Ø100mm E27 (240v)	Flex - -	Recommended light bulb Max 25W LED		
Care information	Dusting your light regularly and with a light feather duster should keep your light looking clean, otherwise wipe with a damp cloth and remove any moisture with a dry cloth. Gentle furniture polishes can also be used.					
Additional information	<ul style="list-style-type: none"> Suitable for use on 240v circuits. Installation instructions and fixings included. This product must be installed by a qualified electrician. 					