

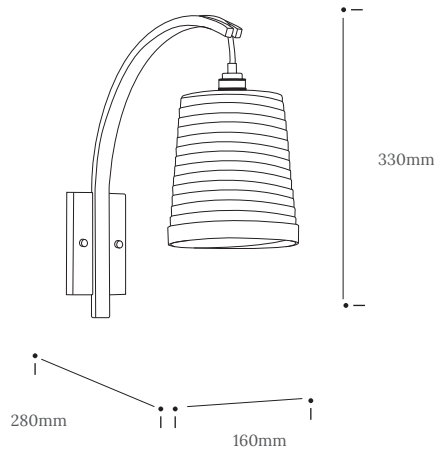
STEM WALL LIGHT

Product Specification

Tom Raffield

Stem Wall Light

Oak - £195

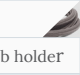


A branch of steam bent timber bows its head. From its tip, a Helix lampshade drops. Honest. Bold. Considered. Our Stem Lighting Range offers understated design at its best.

Handcrafted from a strip of sustainable oak. Rooted in an oak base with exposed flex and brass detailing. Dropping splashes of light from its Helix shade to bring focus from the shadows; the Stem is the ultimate balance between form and function.

Use light to single out. To draw together. To create sanctuary.

The Stem is also available as a table light.

Product Type : Wall Light	SKU	Wood types	Dimensions L x W x H (mm)		Weight (kg)	
			Unboxed	Boxed	Unboxed	Boxed
Stem Wall Light : Hardwired	TR-STM-WL-O	Oak	160 x 280 x 330	540 x 312 x 165	0.6	1.45
Stem Wall Light : Plug and switch	TR-STM-WL-O-PLG	Oak				
Materials	Oak 				Other materials Birch ply hanging disk 	
Finish	Stem and backing plate - Finished with a blend of natural wax oils to give a protective, hardwearing and beautiful finish. Shade - Non-toxic, hard wearing water based varnish - satin					
Wiring kit option : 1 Hardwired	Brass bulb holder with electrical connection block 	Wiring kit option 1 connection block included E27 (240v)	Flex Flex colour: grey fabric 	Reccomended light bulb Max 25W LED		
Wiring kit option : 2 Plug and switch	Brass bulb holder with black inline switch and plug 	Wiring kit option 2 Plastic inline switch E27 (240v)	Flex Flex colour: grey fabric  Cable length: 228cm from plug to bulb holder	Reccomended light bulb Max 25W LED		
Care information	Dusting your light regularly and with a light feather duster should keep your light looking clean, otherwise wipe with a damp cloth and remove any moisture with a dry cloth. Gentle furniture polishes can also be used.					
Additional information	<ul style="list-style-type: none"> Suitable for use on 240v circuits. Installation instructions and fixings included. This product can be plugged straight into a 240v outlet. If hardwiring into the main supply, this product must be installed by a qualified electrician. 					