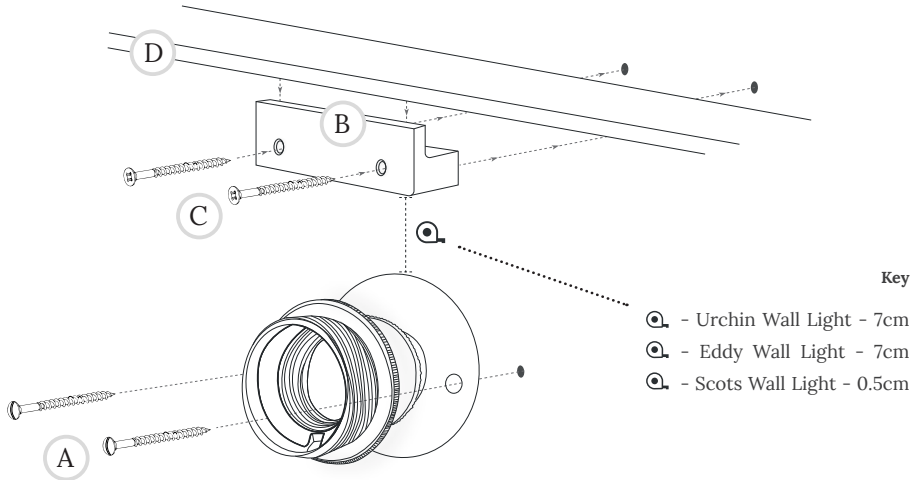


## Wall Light Installation Instructions



**Only qualified persons should assemble the luminaire. If in doubt, consult a suitably qualified person. Installation MUST be carried out in accordance and compliance with current building regulations.**

**Ensure the electrical supply is turned OFF at the fuse board.**

1. Identify if there are any hidden pipes or electrical cables in the wall to avoid causing damage or risk of electrical shock during installation. Connect the lamp holder to the electricity supply (**220-240V AC 50-60Hz**) by unscrewing the threaded collar and connect the supply wires to the screw terminals on the ceramic connector. These ES lamp holders are constructed in such a manner that they lock together when fully tightened. To release in this situation depress the outside tongue of the central strip contact. During assembly ensure that the interior earth tag is aligned with notches on the brass body
2. Determine the fixing method appropriate to the wall structure and secure the back plate of the brass lamp holder to the wall using the dome slot head screws provided (A).
3. Position the wooden L bracket (B) at the correct height from the brass lamp holder. Make sure the lip is facing up as detailed above. Refer to the ⓑ key above to set height dependant on shade style. Once it is positioned and marked level at the correct height, determine the fixing method appropriate to the wall structure and attach to the wall using the pozidriv screws provided (C).
4. Screw in your chosen light bulb. The lampshade has been designed to work with an **LED** bulb, up to a maximum of **25 Watts**.
5. Carefully hook the hanging bar (D) of the lampshade over the lip of the bracket making sure it is sitting central to the bracket and lamp holder.
6. Turn the power supply on to complete installation.