

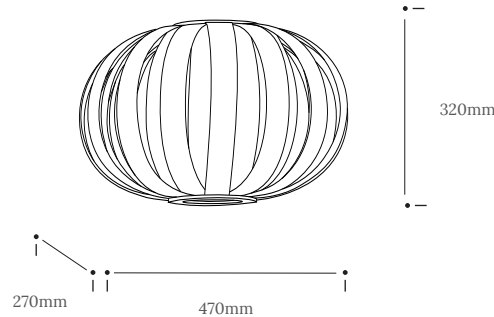
# URCHIN WALL LIGHT

## Product Specification

# Tom Raffield

### Urchin Wall Light

Ash - £245    Oak - £255    Walnut - £265








Warm light gathers between strips of wood. Flexed to the brink then fixed into an organic sphere inspired by sandcombed shells, our Urchin Lighting Range brings atmosphere in abundance.

17 taut curves fused together with laser cut birch plates, carefully manipulated to conceal the bulb. Sustainable ash, oak or walnut sees light escape through the seams, creating pools of brightness in the dark.

Soften your space. Create clusters. Draw the eye.

The Urchin Lighting Range is also available as small, standard and large pendants.

Product Type : Wall Light	SKU	Wood types	Dimensions L x W x H (mm)		Weight (kg)	
			Unboxed	Boxed	Unboxed	Boxed
Urchin Wall Light	TR-URCN-WL-A	Ash	470 x 270 x 320	470 x 465 x 325	0.6	2.95
	TR-URCN-WL-O	Oak				
	TR-URCN-WL-W	Walnut				
Materials	Ash 	Oak 	Walnut 	Other materials Birch ply frame 		
Finish	Hanging bracket - Finished with a blend of natural wax oils to give a protective, hardwearing and beautiful finish. Shade - Non-toxic, hard wearing water based varnish - satin					
Wiring kit options	Brass E27 bulb holder 	Wiring connection block included E27 (240v)			Reccomended light bulb Max 25W LED	
Care information	Dusting your light regularly and with a light feather duster should keep your light looking clean, otherwise wipe with a damp cloth and remove any moisture with a dry cloth. Gentle furniture polishes can also be used.					
Additional information	<ul style="list-style-type: none"> <li>Suitable for use on 240v circuits.</li> <li>Installation instructions and fixings included.</li> <li>This product must be installed by a qualified electrician.</li> </ul>					