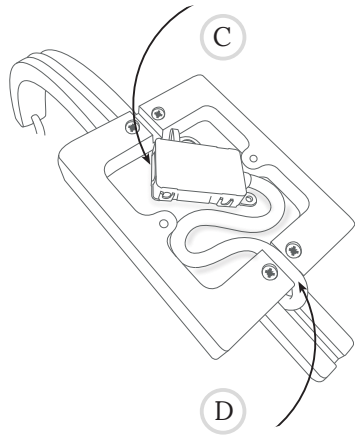
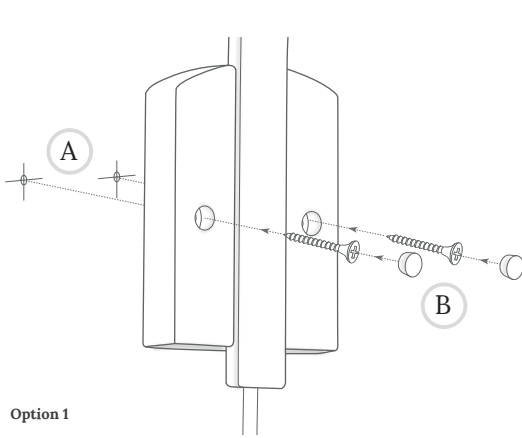


## Wall Light Installation Instructions



Option 1

Option 2

### Option 1 - In-line switch and plug.

**Ensure the electrical supply is turned OFF at the fuse board.**

1. Identify if there are any hidden pipes or electrical cables in the wall to avoid causing damage or risk of electrical shock during installation. Mark the wall where the light needs to be positioned and drill two holes where you have marked (A). Determine the fixing method appropriate to the wall structure and secure the back plate to the wall using the screws provided, concealing the screws with the wooden plugs provided (B). Screw in your chosen light bulb and plug the light into the nearest outlet. The light has been designed to work with an E27 **LED** light bulb, up to a maximum of **25 Watts**.
2. Turn the power supply on to complete installation.

### Option 2 - Hard wired.

**Only qualified persons should assemble the luminaire. If in doubt, consult a suitably qualified person. Installation MUST be carried out in accordance and compliance with current building regulations.**

**Ensure the electrical supply is turned OFF at the fuse board.**

1. Using the connection box provided, connect the light to the isolated electricity supply (C) (**220-240V AC 50-60Hz**). Push the flex from the bottom of the light into the slot on the bottom of the back plate to ensure it sits flat against the wall (D). Coil the remaining cable and connection block into the recess of the back plate.
2. Attach the light to the wall in same way as detailed for **option 1** and screw in your chosen light bulb. The light has been designed to work with an E27 **LED** light bulb, up to a maximum of **25 Watts**.
3. Turn the power supply on to complete installation.

\*\*\* If the external flexible cable or cord of this luminaire is damaged, it shall be exclusively replaced by the manufacturer or his service agent or a similar qualified person in order to avoid a hazard. \*\*\*

For more information on the installation of your product: [contact@tomraffield.com](mailto:contact@tomraffield.com) +44 (0)1326 727275