

## TRP-C08M USB to 4 RS232/422/485 Isolated Converter



### Specifications

- Input: USB 2.0.
- RS232 signal: isolated 3KV 4 Pair 16c450/16c550 compatible (TXD, RXD, RTS, CTS, ISO, GND)
- RS422 signal: isolated 3KV 4 Pair Differential 4 full-duplex wires (TX+, RX+, TX-, RX-)
- RS485 signal: isolated 3KV 4 Pair Differential 2 half-duplex wires (D+, D-).
- Data Format: Asynchronous data with any combination of bits, parity, stop
- Parity type: None, odd, even mark, space.
- Data bit: 5, 6, 7, 8
- Stop bits: 1, 1.5, 2.
- Flow Control: Xon/Xoff, Hardware, None
- Cable: USB 2.0 type A to type B cable.
- Communication speed: 75~921Kbps.
- RS422/485 line protection: Against surge, short circuit, +/- 15KV ESD and voltage peak.
- RS232 line protection: +/- 15KV ESD.
- Distance: RS422/485 Up to 4000ft (1250M).
- Connection type: Screw terminal for maximum AWG #12 ~ 30 wires.
- Din-Rail mountable: Option.
- Power consumption: 190mA by USB power.
- Operating environment: -10 to 60°C .
- Storage temperature: -20 to 65°C .
- Dimension: 151mm X 111mm X 26mm.
- Weight: 691(W/Packing) .
- Humidity: 10-90% non-condensing.

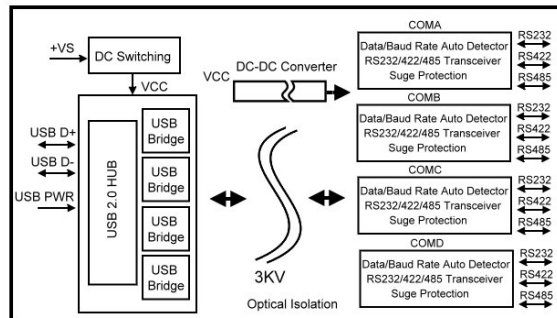
### Introduction

TRP-C08M is a USB to RS232/422/485 Isolated Converter support 3KV isolation, built-in RS422/485 interface Surge Protection to ensure the stability of the transmitted data, suitable for applications in harsh industrial Environments. TRP-C08M bridge using the latest USB chip that can set up a separate data format baud-rate and other self-defined baud-rate for each COM port it has the ability to automatically select RS232/422/485 Signal Through a simple wiring. TRP-C08M Support two power input, USB Power or external input POWER SUPPLY, two types are available over-voltage protection.

### Features

- USB-2.0 Device Controller.
- Support 3KV isolation in RS232/RS422/485 interface.
- Customer-specified Baud rates are also supported.
- Each Port cans impendent set up the baud-rate and data format.
- On-Chip 512-Byte FIFO for upstream and downstream data transfers for serial Port.
- Fully PLC support such as Mitsubishi Q,FX and FATEK serial....
- Auto direction flow control on RS-485.
- Auto baud rate switching from 75bps to 921.6 Kbps.
- Auto switching RS232/422/485 interface.
- 256 byte buffer for upstream and downstream data flow.
- Direct power from USB port or external power.
- Surge protection on RS422/485 data lines.
- Power and TX/RX communication LED indicator.
- DIN rail or panel mount support.
- Driver support: WIN10,Vista64/32,Windows 8/8.1/98/ME/2000/XP/WIN7/CE3.0, and Linux, and Mac OS.

### Block Diagram



### Application Note

