

WOODFAST

WOODWORKING MACHINERY

Distributor

Jaccra Industries Pty Ltd
23 Exhibition Drive, Malaga,
WA 6090, Australia

www.woodfast-machinery.com.au

📍 Woodfast CN (QCR)

🌐 www.woodfast-global.com

EN



WOODFAST HISTORY

Woodfast was born in South Australia in 1941 and the production was transferred to China in 2004. By 14-years continuous development, Woodfast is now a world leading company in designing and manufacturing high-quality power tools and woodworking machinery. With our outstanding product quality, we have obtained very high reputation in the global market and now own a lot of loyal customers in North America, Europe, Australia, and East Asia. Currently Woodfast factory (QCR) employs more than 300 staff members, including over 200 employees in production team, 50 in R&D team and quality control, 20 in Marketing and Sales team and the rest are in management and others service related departments. The factory plant is over 25,000 square meter in size and with 13 production lines which can produce 500,000 pcs of machineries annually.



FACTORY INTRODUCTION

Foundry Workshop: Cast iron foundry owned by Woodfast has an annual production capability of more than 2,000 Tons of precision castings. These parts are also exported to Europe and America not including the quantity using on our own products. There are more than 100 employees working in this workshop, including engineers and technicians and the foundry is equipped with complete advanced chemical, physical analysis and inspection devices. Our foundry is growing quickly thanks to its technology background and continual application of the latest techniques, and inspection equipment.

Machining Workshop: With the addition of the foundry workshop, Woodfast is now better able to export precision machined components world wide to meet the higher demands of Woodfast's new and old customers. To improve the machining capacities, Woodfast keeps investing in advanced equipment every year such as milling, grinding, vertical lathes, vertical drilling machine and CNC machine centers. Woodfast produces most major components for the high precision machinery.

Fabrication Workshop: With expansion of the product range, Woodfast decided to invest more advanced equipments to produce the metal fabrication, like laser cutting, robot welding etc. All of these are the good foundation for developing and producing the major components of quality industrial woodworking machines.

Motor Workshop: Woodfast invested the motor workshop in 2011, its annual capacity is 400,000pcs of small and medium asynchronous motors from 100W to 15kW. All equipments are automatic and advanced for the stable quality and high efficiency.

Stator process: automatically produce through winding, shaping, banding, embedding, vacuum dipping; Rotor process: machining, balancing and inside testing; Assembly line: complete testing instruments and inspection 100%; Laboratory test: advanced instruments both for type and life testing.

WL1216B

12"×16.5" Variable Wood Lathe



WOODFAST

This new lathe sets all the standards for a mini variable speed lathe.

Solid construction, superb finish and the convenience of electronic variable speed, perfect for beginners or professionals.

Featuring 1hp power, a remote (magnetised) control box and a 200mm premium tool rest, this lathe is fantastic value.

The optional bed extension allows the turner to produce chair or table legs as well as traditional bowls and smaller spindle pieces.

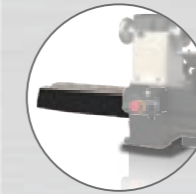
Specifications

Swing Over Bed Diameter	305mm
Distance Between Centres	419mm
Spindle Speeds	250-3200rpm
Spindle and Sleeve Taper	MT2
Spindle Thread	M30 x 3.5
Sleeve Adjustment	90mm
Motor Power Input	1HP
Volt	220-240V/50Hz
Net/Gross Weight	43/46kgs
Package Size	910x 470 x 275mm

Accessories



Stand
Package:
668 x 485 x 256mm; 17/21kgs



Extension bed
Swing over extension bed
diameter 380mm
Package:
410 x 224 x 130mm; 6.5/7.8kgs



Extension bed
over 762mm between centers
Package:
410 x 224 x 130mm; 6.5/7.8kgs



Tool rest extension
Package:
265 x 95 x 95mm; 1.8/2kgs

Highlight



Easy access to the pulleys to allow a quick change across the speed range.



Powerfull 1hp motor provides plenty of power in this mini lathe. Quality "soft grip" lever releases the motor for a belt change.



Heavy duty banjo with premium solid steel topped Tool Rest.



Premium magnetised control box with Digital Speed Display. Emergency Stop and Reverse switches.

WL1220A

12.5" x 20" Wood Lathe

The WL1220A features high quality full electronic variable speed control. The lathe has been designed to make the woodturning experience better by focusing on control. 1HP motor work great on all speed ranges without any loss of power.

It can extremely satisfied with the capabilities this lathe offers in torque.



Exceptionally wide range of spindle speeds, 250-3850rpm



05 | WOODFAST

24 integrated indexing positions for fluting or voming



Toolrest with 1" post on the extra wide casting bed design for heavy load turning.



Compact and Convenient control unit for speed control, spindle speed digital readout and forward/reverse selector all come naturally to hand



WOODFAST

Specifications

Swing Over Bed Diameter	320mm
Distance Between Centres	510mm
Spindle Speeds	250-3850rpm
Spindle and Sleeve Taper	MT2
Spindle Thread	
• Standard	M33 x 3.5
◦ Option	M30 x 3.5
◦ Option	1" x 8
Sleeve Adjustment	60mm
Indexing Position	24
Tool Rest	
• Standard	8"
◦ Option	4"
◦ Option	6"
Face Plate	
• Standard	3"
◦ Option	6"
Motor Power Input	1*230V 1HP S1
Net/Gross Weight	52/57kgs
Package Size	985 x 535 x 330mm
Container Load Q'ty	336pcs/40'

• Standard equipment ◦ Option equipment

Accessories



Stand
Package:
668 x 485 x 256mm; 17/21kgs

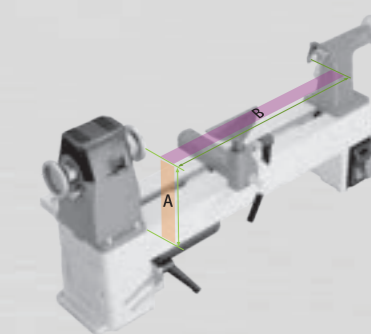


Extension bed
over 806mm between centres
Package:
695 x 270 x 255mm; 20/21kgs



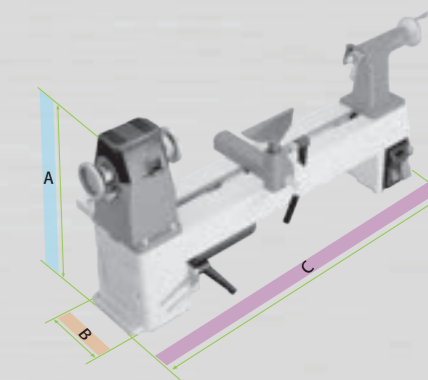
Stand for extension bed
Package:
668 x 485 x 256mm; 10/14kgs

Dimensions



Key Capacity

A Swing Over Bed Diameter	320mm
B Distance Between Centres	510mm



Layout

A	445mm
B	253mm
C	1200mm

06 | WOODFAST

WL520A

20" x36" Heavy Wood Lathe



WOODFAST

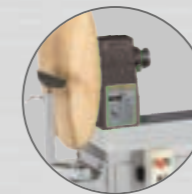
The WL520A is a truly classic lathe, featuring a fixed head for outboard turning. It has been designed to offer large capacities and support for heavy work in a traditional configuration that is familiar to woodturners worldwide. Combined with modern construction and high quality electronic control, this machine is ideal for the professional woodturner as well as the dedicated enthusiast. Cast iron features heavily in the construction of this machine, including the headstock, tailstock and cast bed. The splayed legs give further stability, with an opposing asymmetrical design to spread load and counteract the forces generated by this formidable lathe.

Specifications

Swing Over Bed Diameter	520mm
Distance Between Centres	910mm
Spindle Speeds	50-3890rpm
Spindle and Sleeve Taper	MT2
Spindle Thread	M30x3.5
Sleeve Adjustment	100mm
Indexing Position	24
Distance from Center to Floor	
• Standard	1140mm
◦ Option	1065mm
Tool Rest	6" & 12"
Face Plate	3"
Motor Power	2HP
Volt	220-240V/50Hz
Net/Gross Weight	179/213kgs
Package Size	1490x390x580/1510x570x540mm

- Standard equipment
- Option equipment

Accessories



Rear turning attachment
Package:
485x257x235mm; 21/22kgs

Highlight



Extra Heavy Duty Spindle with QUATRE precision bearing support.



Rock Solid Headstock features indexing and hand brake wheel.



Easily Accessible Motor inside the cabinet rather than on the headstock.



Electronic Variable Speed is achieved using the premium quality European made Schneider inverter, the industrial solution to variable speed control.

WL3040A

20" x37" Heavy Wood Lathe



WOODFAST

The WL3040A is the latest heavy lathe from WOODFAST featuring a 3HP inverted motor and an innovative electronic bed extension which allows the turner to safely turn that extra-large special piece very easily.

This super heavy duty lathe with a massive 794mm swing and maximum 1016mm between centers, when extended, can handle the toughest and heaviest jobs.

Cast iron components and heavy duty construction give this lathe extremely sure footing and minimal vibration.

The electronic bed extension minimizes the footprint of the lathe when not turning longer stock.

Specifications

Swing Over Bed Diameter	794mm
Distance Between Centres	1016mm
Spindle Speeds	20-3850rpm
Spindle and Sleeve Taper	MT2
Spindle Thread	M30x3.5
Sleeve Adjustment	120mm
Motor Power	3HP
Volt	220/50Hz
Net/Gross Weight	138/267kgs
Package Size	1570x668x870mm

Accessories



Tool rest base assembly
Package:
660 x 195 x 345mm; 13/13.5kgs



Caster set of 4
Package:
460 x 310 x 265; 14/14.5kgs



Bed gap insert bed
Package:
495 x 290 x 165mm; 27/27.5kgs

Highlight



The innovative Electronic Bed Extension moves to allow up to 794mm swing.



Heavy Duty 3HP 3PH motor powered by 1PH 15amp through a high quality inverter.



Super heavy duty banjo with premium 12" solid steel topped Toll Rest. Tail Stock includes a tool storage area.



Remote magnetic control box for the spindle and the bed movement.

BS250B

10" Band Saw



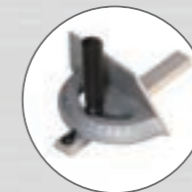
WOODFAST

BS250B is an upgrade model with many unique features. This benchtop bandsaw is made to exacting standards to encompass all the features found on top quality floor standing machines. It shares the same essential build qualities as its larger cousins strong steel frames, dynamically balanced bandwheels, cast iron tables and powerful induction motor. It has been designed to offer the user with space limitation. This is a serious machine in compact form.

Specifications

Blade Length	1790mm
Blade Width	6-13mm
Blade Speed	460/1000m/min
Maximum cutting height	120mm
Cutting Throat	245mm
Table Size	350 x 318mm
Table Tilt	0~45°
Floor to Table Height w/Option Stand	1010mm
Bandwheel Dia.	254mm
Motor Power	1/2HP
Volt	220-240V/50Hz
Extractor Port Dia.	63.5mm
Net/Gross Weight	36/39kg
Package Size	910 x 330 x 460mm

Accessories



Miter gauge
Package:
150 x 100 x 60mm; 0.5/0.6Kgs



Open Stand
Package:
500x85x70mm; 5.7/5.9kgs



Wheel Kit for Mobility
Package:
620x550x95mm; 4.6/5.3kgs

Highlight



The spring-loaded blade guides can be adjusted quickly and easily without tools.



The adjustable rip fence helps guide the work piece for straight and accurate rip cutting, while the cam lock for easy and quick move.



To provide more than adequate tension for blade capacities of this model. Quick release the blade tension after working and increase the blade life.



Run the blade at either 460 or 1000m/min to meet the needs of any given project.

BS350C

14" Band Saw



WOODFAST

The BS350C bandsaw features several unique innovations that promise enhanced accuracy and ease-of-use. It is more effective, accurate and easier to use than any other machine in its class. Featuring an 1-1/2HP motor coupled with the well balanced aluminum band wheels, it has easily handled everything that thrown at it. The two speeds, which are slightly faster than comparable machines, make it ideal for cutting non-ferrous metals as well as wood. The 150mm tall fence that can be easily rotated flat for thinner stock, and double-sided fence mount make this a machine that is so easy to setup and use it leaves you free to concentrate fully on the project at hand.

Specifications

Blade Length	2820mm
Blade Width	6-19mm
Blade Speed	440/900m/min
Maximum cutting height	330mm
Cutting Throat	345mm
Table Size	545x400mm
Table Tilt	0~45°
Floor to Table Height w/stand	1000mm
Bandwheel Dia.	350mm
Motor Power	1-1/2HP
Volt	220-240V/50Hz
Extractor Port Dia.	100mm
Net/Gross Weight	96/101kgs
Package Size	1390x460x615mm

Accessories



Miter gauge
Package:
150 x 100 x 60mm; 0.5/0.6Kgs



Wheel Kit for mobility
Package:
448x100x628mm; 10/12kgs

Highlight



Dynamically balanced and heavy, the wheels provide a flywheel effect during use, contributing to the power and effectiveness of the machine.



The spring-loaded tool-free guide system blade guides can be adjusted quickly and easily without tools. The guides are spring loaded, with the spring pushing the guide away from the blade when it's not locked in place.



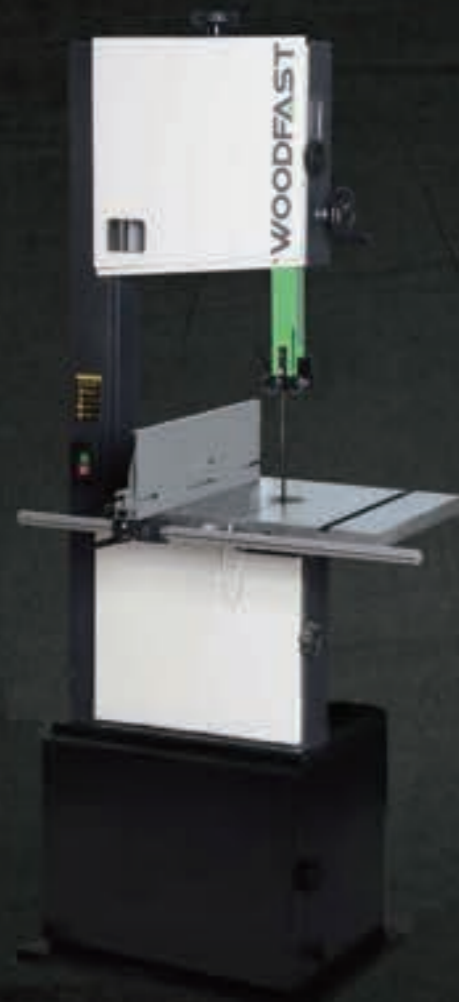
The unique fence mount design allows the fence to be placed to the right hand side of the blade, with the fence extrusion secured on the opposite side of the mount.



Release and re-apply blade tension instantly using the cam-action handle. This makes changing blade simple and fast and if the new blade is the same as the old, the correct tension can be instantly re-applied on fitment.

BS350D

14" Band Saw



WOODFAST

The BS350D bandsaw features several unique innovations that promise enhanced accuracy and ease-of-use. It is more effective, accurate and easier to use than any other machine in its class. Featuring a 2HP motor coupled with the well balanced band wheels, it has easily handled everything that thrown at it. The two speeds, which are slightly faster than comparable machines, make it ideal for cutting non-ferrous metals as well as wood. The 150mm tall fence that can be easily rotated flat for thinner stock, and double-sided fence mount make this a machine that is so easy to setup and use it leaves you free to concentrate fully on the project at hand.

Specifications

Blade Length	2820mm
Blade Width	6-19mm
Blade Speed	440/900m/min
Maximum cutting height	330mm
Cutting Throat	345mm
Table Size	545x400mm
Table Tilt	0-45°
Floor to Table Height w/stand	1000mm
Bandwheel Dia.	350mm
Motor Power	2HP
Volt	220-240V/50Hz
Extractor Port Dia.	100mm
Net/Gross Weight	126/131kgs
Package Size	1390x460x615mm

Accessories



Miter gauge
Package:
150 x 100 x 60mm: 0.5/0.6Kgs



Wheel Kit for mobility

Highlight



Dynamically balanced and heavy, the wheels provide a flywheel effect during use, contributing to the power and effectiveness of the machine.



The spring-loaded tool-free guide system blade guides can be adjusted quickly and easily without tools. The guides are spring loaded, with the spring pushing the guide away from the blade when it's not locked in place.



The unique fence mount design allows the fence to be placed to the right hand side of the blade, with the fence extrusion secured on the opposite side of the mount.



Release and re-apply blade tension instantly using the cam-action handle. This makes changing blade simple and fast and if the new blade is the same as the old, the correct tension can be instantly re-applied on filament.

BS400B

16" Professional Band Saw

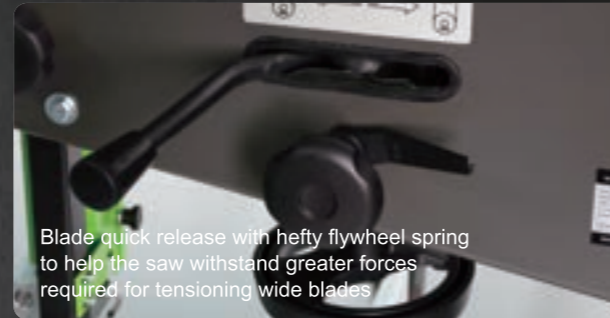


This is the ultimate Bandsaw for the serious home workshop. It is versatile and well equipped.

Standard features such as Bearing blade guides on the top/bottom, Quick blade tension with indicator, Easy drift fence and gear driving tilting table and so much more! It puts industrial style features and very capacities within reach of the discerning woodworker who needs rock solid performance and reliability.



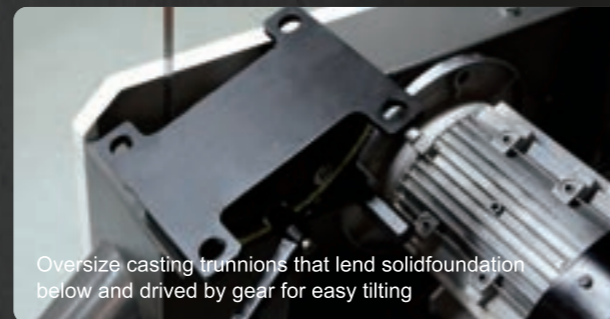
Solid cast iron bandwheel and reliable dual support tension system



Blade quick release with hefty flywheel spring to help the saw withstand greater forces required for tensioning wide blades



Bearing blade guides simplify adjustments



Oversize casting trunnions that lend solid foundation below and driven by gear for easy tilting

WOODFAST

Specifications

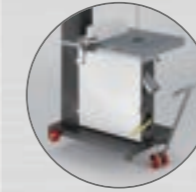
Blade Length	3531mm
Blade Width	6-30mm
Blade Speed	
• 1×230V	1200m/min
◦ 3×400V	1500m/min
Max Depth of Cut	
• With bearing guide	280mm
◦ With European style roller guide	270mm
Throat Width	390mm
Table Size	578×420mm
Table Tilt	0~45°
Bandwheel Dia.	400mm
Motor Power Output	
• 3×400V	2.2kW S1
◦ 1×230V	1.5kW S1
Extractor Port Dia.	2×100mm
Net/Gross Weight	170/185kgs
Package Size	
• Carton box	832×619×1883mm
◦ Wood box	893×636×1900mm
Container Load Q'ty	
• Carton box load	24pcs/20'
◦ Wood box load	21pcs/20'

- Standard equipment ◦ Option equipment

Accessories

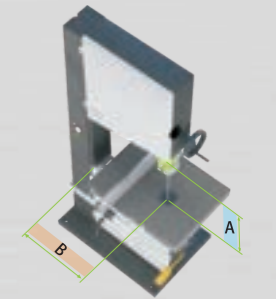


Miter gauge
Package:
300×100×60mm; 1.0/1.5kgs



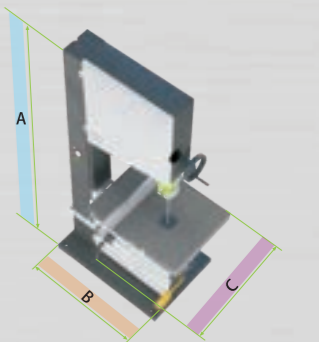
Wheel Kit for mobility
Package:
1160×265×145mm; 5.0/6.0kgs

Dimensions



Key Capacity

A Max Depth of Cut	280mm
B Throat Width	390mm

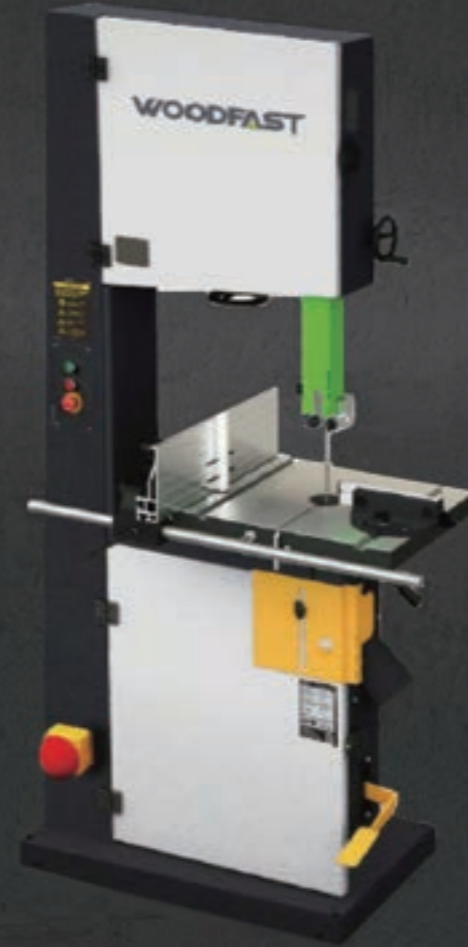


Layout

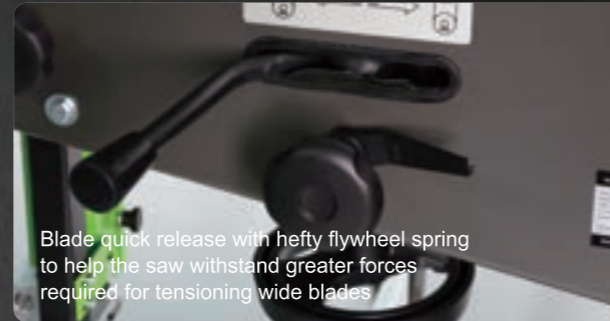
A	1753mm
B	810mm
C	748mm

BS450A

18" Deluxe Band Saw



Solid cast iron bandwheel and reliable dual support tension system



Blade quick release with hefty flywheel spring to help the saw withstand greater forces required for tensioning wide blades



Tool-less bearing blade guides simplify adjustments



Kick-off emergency stop + foot brake provide extra safety features

If you need to process larger materials, then a higher cutting capacity and motor power are required and that's why the BS450A 18" Deluxe 3hp bandsaw of the Woodfast "Aussie Muscle" series has been developed.

Compared to its 14" brother the BS350D, this saw is more heavy duty with square column welding and enhanced body structure. Safety features including a kick-off Emergency Stop and Foot Brake system, as well as micro switched doors, make this saw ideal for home, school and workshop users.

This powerful bandsaw is outstanding value and a more than capable addition to any workshop..

WOODFAST

Specifications

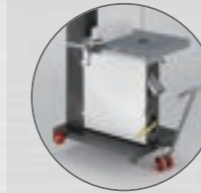
Blade Length	3886mm
Blade Width	6-35mm
Blade Speed	<ul style="list-style-type: none"> 1 × 240V 1000m/min
Max Depth of Cut	<ul style="list-style-type: none"> With bearing guide 330mm
Throat Width	445mm
Table Size	545x400mm plus table extensions
Table Tilt	-10~45°
Bandwheel Dia.	450mm
Motor Power Output	<ul style="list-style-type: none"> 240V 3HP
Extractor Port Dia.	2 × 100mm
Net/Gross Weight	174/210kg
Package Size	<ul style="list-style-type: none"> Carton box 858 × 568 × 1925mm
Container Load Q'ty	<ul style="list-style-type: none"> 20FT 26pcs 40FT 53pcs

- Standard equipment
- Option equipment

Accessories

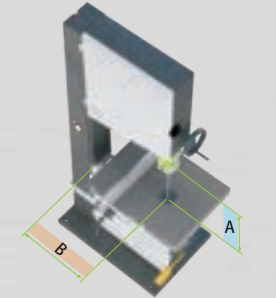


Miter gauge
Package:
300 × 100 × 60mm; 1.0/1.5kgs



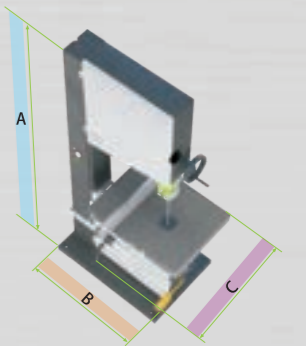
Wheel Kit for mobility
Package: 1145 × 250 × 130mm;
5.0/6.0kgs

Dimensions



Key Capacity

A Max Depth of Cut	330mm
B Throat Width	445mm

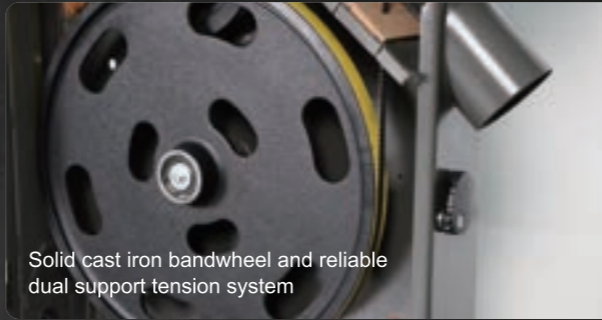


Layout

A	1850mm
B	750mm
C	600mm

BS500A

20" Band Saw



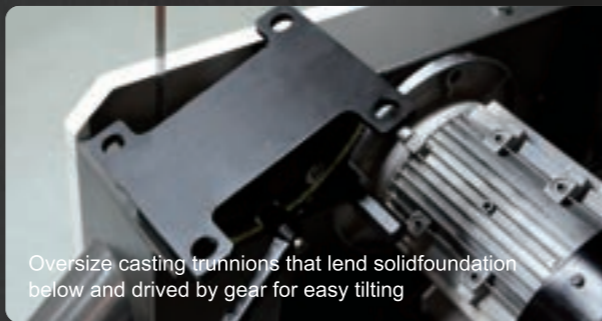
Solid cast iron bandwheel and reliable dual support tension system



Blade quick release with hefty flywheel spring to help the saw withstand greater forces required for tensioning wide blades



Bearing blade guides simplify adjustments



Oversize casting trunnions that lend solid foundation below and driven by gear for easy tilting

Sharing the same essential design and feature of BS400, the BS500 improved in capacities and motor power. Perfect for the smaller shop that has serious ripping requirement. Standard features such as Bearing blade guides on the top/bottom, Quick blade tension with indicator, Easy drift fence and gear driving tilting table and so much more! It puts industrial style features and very capacities within reach of the discerning woodworker who needs rock solid performance and reliability.

WOODFAST

Specifications

Blade Length	3962mm
Blade Width	6-30mm
Blade Speed	1500m/min
Max Depth of Cut	
• With bearing guide	335mm
◦ With European style roller guide	310mm
Throat Width	480mm
Table Size	633×485mm
Table Tilt	0~45°
Bandwheel Dia.	500mm
Motor Power Output	3*400V 3kW S1
Extractor Port Dia.	2×100mm
Net/Gross Weight	220/245kgs
Package Size	
• Carton box	993×670×2020mm
◦ Wood box	993×670×2020mm
Container Load Q'ty	
• Carton box load	19pcs/20'
◦ Wood box load	19pcs/20'

- Standard equipment ◦ Option equipment

Accessories

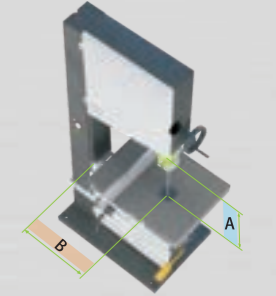


Miter gauge
Package:
300×100×60mm; 1.0/1.5kgs



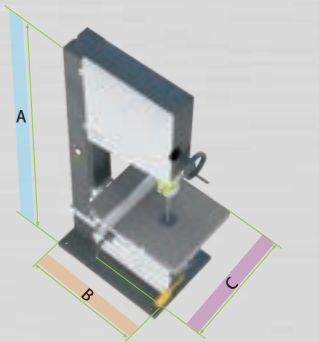
Wheel Kit for mobility
Package:
1160×265×145mm; 5.0/6.0kgs

Dimensions



Key Capacity

A Max Depth of Cut	335mm
B Throat Width	480mm



Layout

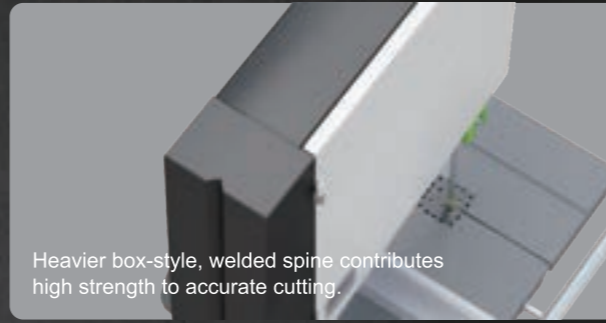
A	1876mm
B	940mm
C	803mm

BS600A

24" Band Saw



Solid cast iron bandwheel and reliable dual support tension system



Heavier box-style, welded spine contributes high strength to accurate cutting.



Bearing blade guides simplify adjustments



Oversize casting trunnions that lend solid foundation below and driven by gear for easy tilting

With an even heavier box-style, welded spine contributes added stiffness to these steel saw frames to withstand high tension from 35mm resaw blades. The strength of the bandsaw body allows the blade to be tensioned to 20000psi for accurate cutting. Running at 1500m/min, the BS600 providing a cleaner, faster cut with a better finish. All design are service for lasting performance and it's the ideal bandsaw for industrial use in workshop.

WOODFAST

Specifications

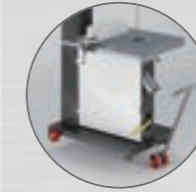
Blade Length	4470mm
Blade Width	10-35mm
Blade Speed	1500m/min
Max Depth of Cut	
• With bearing guide	370mm
◦ With European style roller guide	370mm
Throat Width	580mm
Table Size	700×608mm
Left extension table	175×595×45mm
Table Tilt	0~22.5°
Bandwheel Dia.	600mm
Motor Power Output	3*400V 4kW S1
Extractor Port Dia.	2×100mm
Net/Gross Weight	330/350kgs
Package Size	
• Carton box	1116×774×2155mm
◦ Wood box	1116×774×2129mm
Container Load Q'ty	
• Carton box load	14pcs/20'
◦ Wood box load	14pcs/20'

- Standard equipment ◦ Option equipment

Accessories

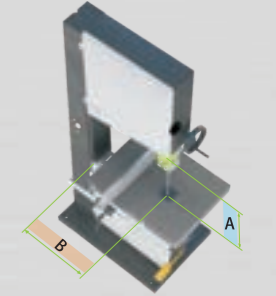


Miter gauge
Package:
300×100×60mm; 1.0/1.5kgs



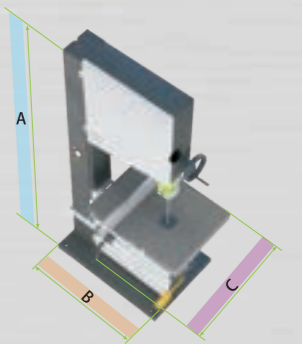
Wheel Kit for mobility
Package:
1160×265×145mm; 5.0/6.0kgs

Dimensions



Key Capacity

A Max Depth of Cut	370mm
B Throat Width	580mm

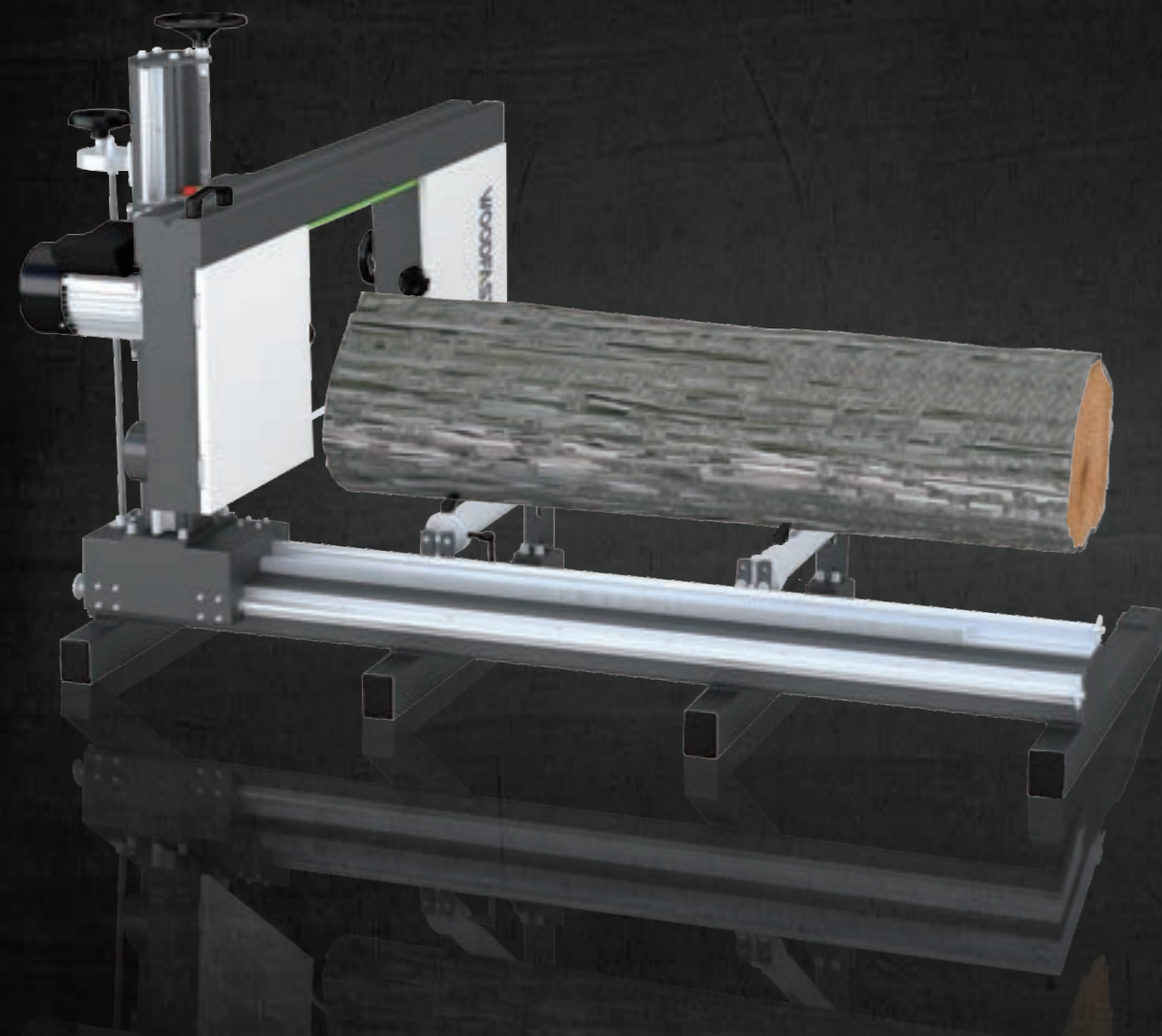


Layout

A	2017mm
B	1201mm
C	889mm

HB350A

Sawmills



WOODFAST

Woodfast Mills has designed the HB350A sawmills for budget minded customers looking at getting into milling their own lumber at an exceptional price point. The HB350 offers hobby sawyers an easy to use, well engineered sawmills with the ability to mill logs up to 40cm in diameter and 1.5m in length. The HB350 also supports an unlimited ability to extend your track to handle milling logs of any length.

Specifications

Blade Length	3114mm
Blade Width	26mm
Blade Speed	1040m/min
Maximum Cutting Height	300mm
Max Cutting Width	400mm
Max Cutting Depth	340mm
Max Cutting Length	
• Standard	1500mm
◦ Option	2400mm
Bandwheel Dia.	350mm
Motor Power Output	220-240V/50Hz/3HP
Extractor Port Dia.	100mm
Net/Gross Weight	180/217 kgs
Package Size	1480x430x680mm
	1890x430x190mm

• Standard equipment ◦ Option equipment

Accessories



Carbide blade

Highlight



The HBS350 works just like a real compact sawmill. The log stays stationary, while the sawhead passes along its length, slicing boards at the height that you choose.



HB350 comes standard with two log rest/log dog assemblies for fast dogging and positive locking. Also feature back dogs for easy clamping of beams, cants and boards.



Smooth operation of the sawhead crank handle precisely adjusts the sawhead height – Clockwise to raise the sawhead, counter-clockwise to lower the sawhead.



Crank feed wheel for operator comfort & easy control.

PT310A

12"×8" Planer & Thicknesser Helical



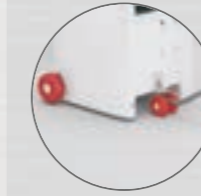
WOODFAST

The PT310A has a large 310 x 255mm capacity. With the convenience of single handed table lift (no need to remove the fence), switching from surface planning to thicknessing cannot be easier. This versatile machine features an extra large aluminum extruded fence with centered controls and cam locking for quick adjustments. It's a great machine to choose for serious woodworker and the busy trade workshop.

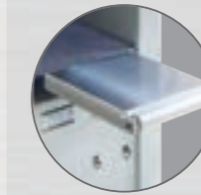
Specifications

Feed Speed	7m/min
Cutterblock Speed	5500rpm
Cutterblock Diameter	70mm
Max Thicknesser Height	4-225mm
Max Thicknesser Width	310mm
Min Length of Workpiece	160mm
Max Depth of Cut	3mm
Number of Tips	56pcs
Tip Size	15x15x2.5mm/R150mm
Over Length of Planer Tables	1409mm
Thickness Table Size	545x307mm
Extractor Port Dia.	100mm
Motor Power	3HP
Volt	220-240V/50Hz
Net/Gross Weight	175/217kgs
Package Size	1480x570x1130mm

Accessories



Wheel Kit for mobility
Package:
1150x260x150mm;3.5/5.0kgs



Outfeed extension table



Digital readout

Highlight



Single handed table lift (no need to remove the fence), switching from surface planning to thicknessing cannot be easier.



Centered controls and cam locking fence for quick adjustments.



Sturdy central column for superior stability and easy rise and fall adjustment.



Built-in dust chute capable of handling both planing and thicknessing operations.

PT410A

16" Planer & Thicknesser



The PT410A has a large 410 x 255mm capacity. With the convenience of single handed table lift (no need to remove the fence), switching from surface planing to thicknessing cannot be easier. This versatile machine features an extra large aluminum extruded fence with centered controls and cam locking for quick adjustments.

It's a great machine to choose for serious woodworker and the busy trade workshop.

Single handed table lift (no need to remove the fence), switching from surface planing to thicknessing cannot be easier



Centered controls and cam locking fence for quick adjustments



Sturdy central column for superior stability and easy rise and fall adjustment



Built-in dust chute capable of handling both planing and thicknessing operations



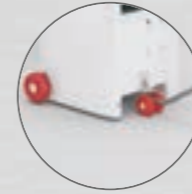
WOODFAST

Specifications

Feed Speed	7m/min
Cutterblock Speed	5000rpm
Cutterblock Diameter	70mm
Max Thicknesser Height	4-225mm
Max Thicknesser Width	410mm
Min Length of Workpiece	160mm
Max Depth of Cut	4mm
Knives Q'ty	3pcs
Knife Size	410×25×3mm
Over Length of Planer Tables	1659mm
Thickness Table Size	650×407mm
Extractor Port Dia.	120mm
Cutting Motor Output	
• 1*230V	3kW S6
○ 3*400V	4kW S6
Net/Gross Weight	265/303kgs
Package Size	1720×685×1135mm
Container Load Q'ty	40pcs/40'

• Standard equipment ○ Option equipment

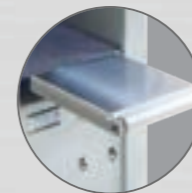
Accessories



Wheel Kit for mobility
Package:
1150×260×150mm;3.5/5.0kgs

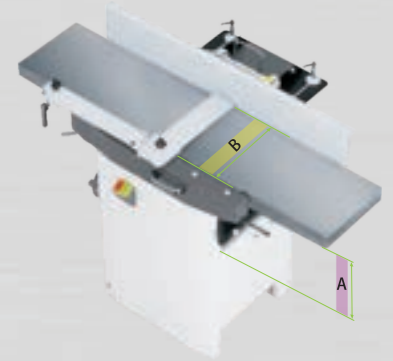


Spiral cutterblock for better thicknessing result, longer knife life and less noise



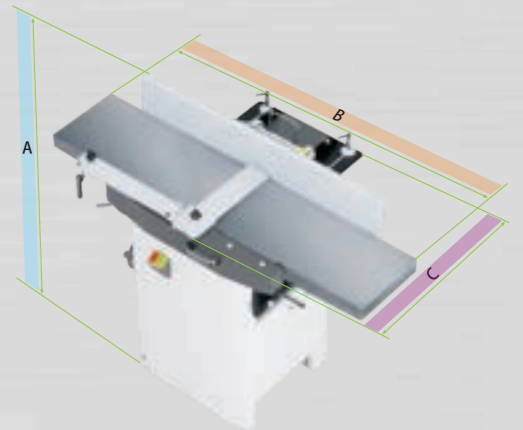
Outfeed extension table

Dimensions



Key Capacity

A Max Depth of Cut	4-225mm
B Max Thicknesser Width	410mm



Layout

A	1002mm
B	1659mm
C	1350mm

TH410A

16" Thicknesser Helical



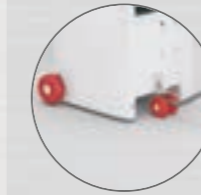
WOODFAST

Surfacing lumber to a specific thickness requires a machine that has plenty of power to remove a lot of material from oversized lumber, especially if the boards are wide and hardwood. TH410A with helical cutters has proven that it can handle these conditions and reduce smooth surfaces that required little sanding before finishing.

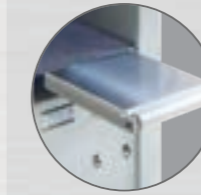
Specifications

Feed Speed	6,5m/min
Cutterblock Speed	4200rpm
Cutterblock Diameter	97mm
Max Thicknesser Height	220mm
Max Thicknesser Width	410mm
Min Length of Workpiece	156mm
Max Depth of Cut	4mm
Number of Cutting Tips	72pcs
Tip Size	15x15x2.5mm/R150mm
Thickness Table Size	750x408mm
Extractor Port Dia.	120mm
Cutting Motor Output	4HP
Net/Gross Weight	240/280kgs
Package Size	750x850x1135mm

Accessories



Wheel Kit for mobility
Package:
1150x260x150mm;3.5/5.0kgs



Outfeed extension table



Digital readout

Highlight



4HP motor with Dia. 97cutter block easily cuts 5mm as full 410mm width.



Heavy cast iron table give extra rigidity support for big jobs.



Dust hoods effectively remove chips when planing.



Hinged tops lift and lock in position for clear access to the cutter head.

TH530A

20" Industrial Thicknesser



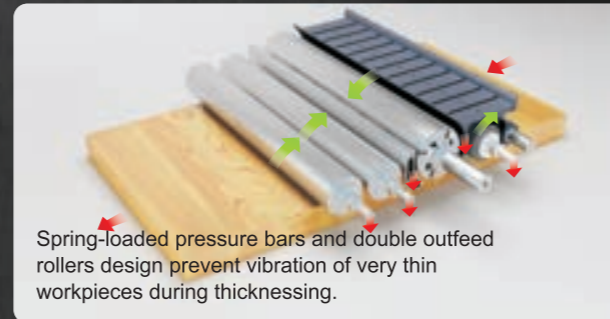
The very high work capacity from 5 to 300mm allows optimum machine use and offers strong flexibility for wood machining. TH530A has brought industrial features and design to this machine, but saving price within justifiable reach of a good thicknesser for a workshop.



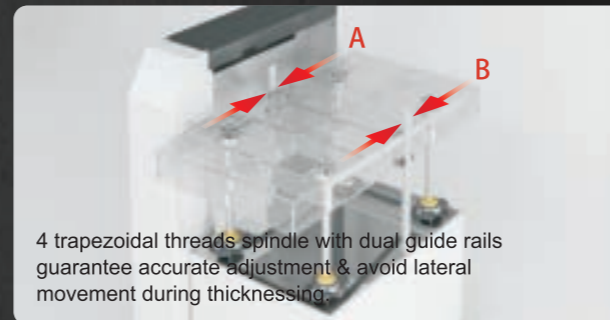
2 feed speeds both for perfect finish and quick thickness calibration



Motor drive table lifting mechanism with micrometric positioning



Spring-loaded pressure bars and double outfeed rollers design prevent vibration of very thin workpieces during thicknessing.



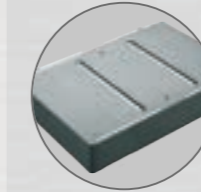
4 trapezoidal threads spindle with dual guide rails guarantee accurate adjustment & avoid lateral movement during thicknessing.

WOODFAST

Specifications

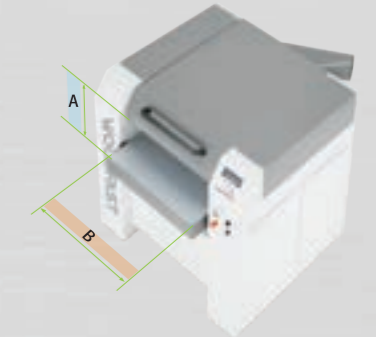
Feed Speed	4-16m/min(variable speed)
Cutterblock Speed	5500rpm
Cutterblock Diameter	117mm
Max Thicknesser Height	5-300mm
Max Thicknesser Width	530mm
Min Length of Workpiece	280mm
Max Depth of Cut	8mm
Knives Q'ty	4pcs
Knife Size	530×30×3mm
Thickness Table Size	1000×530mm
Extractor Port Dia.	150mm
Cutting Motor Output	5kW S1
Lifting Motor Output	0.25kW
Feeding Motor Output	0.55kW
Net/Gross Weight	545/600kgs
Package Size	1150×1120×1310mm
Container Load Q'ty	10pcs/20'; 40pcs/40HQ

Accessories



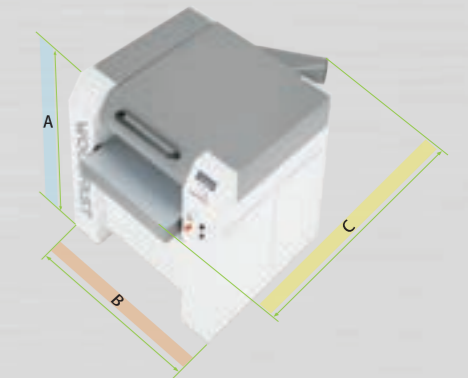
Adjustable bed rollers to reduce friction for high resin or moisture workpieces

Dimensions



Key Capacity

A Max Thicknesser Height	5-300mm
B Max Thicknesser Width	530mm



Layout

A	1150mm
B	1000mm
C	1220mm

TH630A

25" Industrial Thicknesser



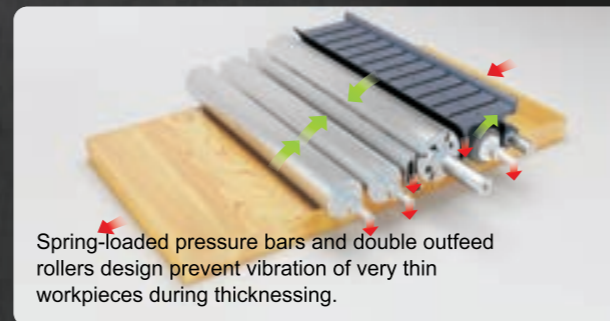
Standard features such as Variable feeding speeds, Electronic table adjustment, Positioning control, Spring-loaded pressure bar, 4 column table support and so much more! All design are service for lasting performance and it's the ideal heavy thicknesser for industrial use in workshop.



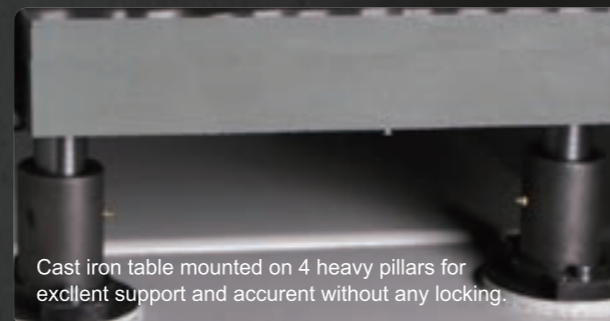
Variable speed infeed by inverter suit for all types of finish required



Electronic positioner help to reduce positioning time and high precision.



Spring-loaded pressure bars and double outfeed rollers design prevent vibration of very thin workpieces during thicknessing.



Cast iron table mounted on 4 heavy pillars for excellent support and accurate without any locking.

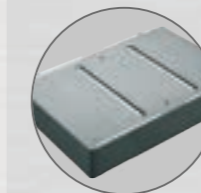
WOODFAST

Specifications

Feed Speed	4-16m/min(variable speed)
Cutterblock Speed	5500rpm
Cutterblock Diameter	117mm
Max Thicknesser Height	5-300mm
Max Thicknesser Width	630mm
Min Length of Workpiece	280mm
Max Depth of Cut	8mm
Knives Q'ty	4pcs
Knife Size	630×30×3mm
Thickness Table Size	1050×630mm
Extractor Port Dia.	150mm
Cutting Motor Output	
• 3*400V	5.5kW S1
○ 3*400V	7.5kW S1
Lifting Motor Output	0.25kW
Feeding Motor Output	0.55kW
Net/Gross Weight	835/890kgs
Package Size	1160×1220×1310mm
Container Load Q'ty	8pcs/20'; 32pcs/40HQ

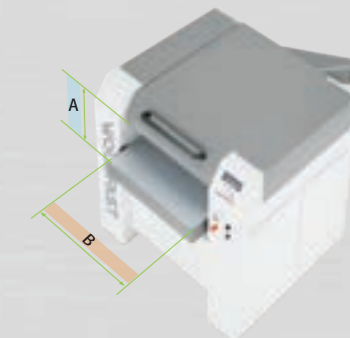
- Standard equipment
- Option equipment

Accessories



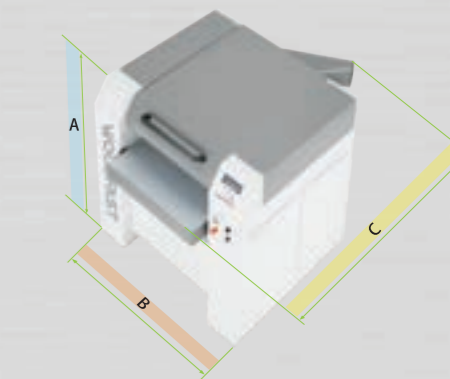
Adjustable bed rollers to reduce friction for high resin or moisture workpieces

Dimensions



Key Capacity

A Max Thicknesser Height	5-300mm
B Max Thicknesser Width	630mm



Layout

A	1150mm
B	1200mm
C	1220mm

TS315B

12" Sliding Table Saw



WOODFAST

Not every workshop needs a large panel saw dominating the workspace, but a compact, fully featured saw is a tempting alternative. The TS315B is just that, having a robustly constructed chassis in heavy gauge steel and generous grey cast iron table with real panel saw trunnion, that gives stability and vibration free running.

Specifications

Max Blade Diameter	315/30mm
Main Blade Speed	4000rpm
Scoring Blade Diameter	120/20mm
Scoring Blade Speed	8000rpm
Blade Tilt	0-45°
Max Depth of Cut @ 90°	95mm
Max Depth of Cut @ 45°	67mm
Max Rip Capacity	1250mm
Sliding Table Size	1200x312mm
Sliding Table Cutting Capacity	1250mm
Table Size	800(530+820)mm
Dust Extraction Outlet	Φ 100/Φ 80mm
Main Motor Power	3HP
Scoring Motor Power	1HP
Volt	220-240V/50Hz
Net/Gross Weight	425/495kgs
Package Size	1310X990X1085mm/2000X430X210mm

Accessories



Angled cutting device

Highlight



The cast iron saw unit provides extra support and stability for reduce vibration.



Large section profile cross cutting fence with reversible fence stops.



Solid cast iron rip fence with aluminium profile mounted to 50mm bar, for accurate reliable ripping.



Ball bearing sliding along tempered and ground prismatic guides guarantees smooth and precision sliding cutting.

PS315B

12" Panel Saw



WOODFAST

The PS315B panel saw is the starting point of the Woodfast industrial sliding table saws. The new manufacturing techniques, continuous research and development coupled with advanced design solutions are all factors that ensure that the PS315B can offer outstanding accuracy, quality and value.

Specifications

Max Blade Diameter	315/30mm
Main Blade Speed	4000rpm
Scoring Blade Diameter	120/20mm
Scoring Blade Speed	8000rpm
Blade Tilt	0-45°
Max Depth of Cut @ 90°	95mm
Max Depth of Cut @ 45°	67mm
Max Rip Capacity	1250mm
Sliding Table Size	2600x375mm
Sliding Table Cutting Capacity	2600mm
Table Size	800(530+820)mm
Dust Extraction Outlet	Φ 120/Φ 80mm
Main Motor Power	3HP
Scoring Motor Power	1HP
Volt	220-240V/50Hz
Net/Gross Weight	520/640kgs
Package Size	2000X1150X1150mm/2960X480X210mm

Accessories



Angled cutting device

Highlight



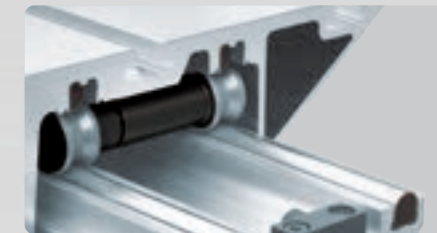
The cast iron saw unit provides extra support and stability for reduced vibration.



Large section profile cross cutting fence with reversible fence stops.



The saw unit is mounted on dual vertical shafts for smooth and accurate movement.



Rolling along tempered and ground prismatic guides guarantees a smooth and precise sliding table.

DP300A

12" Drill Press



WOODFAST

This is a slightly larger bench pillar drill for hobby use. Robustly made from cast iron and machined steel for stability and strength. It has a true running chuck spindle and a good fit of the quill assembly into the headstock casting to ensure consistent drilling. Powered by a 1/3HP induction motor, Variable speed is adjusted with one simple lever and the speed is displayed on a large digital read-out.

Specifications

Chuck	16mm
Chuck Taper	JT3
Spindle Taper	JT33
Speed Range	400-2500rpm
Spindle Travel	80mm
Swing	305mm
Rack & Pinion	YES
Base Size	240x370mm
Table Size	240x240mm
Motor Power	1/3HP
Volt	220-240V/50Hz
Net/Gross Weight	33/35Kgs
Package Size	734x500x275mm

Accessories



Keyless chuck

Highlight



Digital read-out accurately displays current spindle speed.



Mechanical variable speed drive system for easy speed changes from 400-2500rpm with the simple turn of the speed adjustment lever.



Set the depth adjustment knobs to limit your spindle travel for accurate and repeatable drilling operations.



The table height is adjusted by a smooth rack and pinion system, makes adjustment easy.

DP430A

17" Drill Press



WOODFAST

Powered by a 1HP induction motor, there are 16 belt speeds between 160-3,000rpm to offer a wide range of speeds for wood and metal. Robustly made from cast iron and machined steel for stability and strength. It has a true running chuck spindle and a good fit of the quill assembly into the headstock casting to ensure consistent drilling. A good choice if you want more power and capacity or to save workbench space.

WOODFAST

Specifications

Chuck	20mm
Chuck Taper	JT3
Spindle Taper	MT2
Speed Range	16(160-300)rpm
Spindle Travel	80mm
Swing	430mm
Rack & Pinion	YES
Base Size	485x290mm
Table Size	356x356mm
Motor Power	1HP
Volt	220-240V/50Hz
Net/Gross Weight	75/78Kgs
Package Size	1400x530x240mm

Accessories



Keyless chuck

Highlight



The motor is able to deal with tight grained hardwoods and even metals with ease.



The DP43020F has a 16 speed pulley system, to offer a wide range of speeds for wood and metal.



The table height is adjusted by a smooth rack and pinion system, makes adjustment easy.



The cast iron, table has built in locating slots to allow for a vice to be securely held in place and can be tilted to allow for drilling at angles up to 45°.

DS300A

12" Disc Sander



WOODFAST

The DS300A Disc Sander makes it easy to achieve smooth, precise results thanks to its spacious tilting table with miter slot and miter gauge. Direct drive motor provides exceptional power, and makes sanding fast and efficient. Cast iron construction with balanced metal disk plate reduces vibration and give accurate sanding results

WOODFAST

Specifications

Disc Size	305mm(12")
Disc Table Size	435x225mm
Working table tilt	±0-45°
Motor Power	1HP
Volt	220-240V/50Hz
Disc Speed	1420rpm
Net/Gross Weight	34/36kgs
Package Size	540x470x435mm

Accessories



Miter gauge
Package:
150 x 100 x 60mm; 0.5/0.6Kgs

Highlight



Cast iron table with quick angle set up, giving great flexibility of use for conjunction.



The motor is controlled by a no-volt-release switch and there is a brake provided to slow the disc down for extra safety and convenience.



The rack and pinion mechanism, provides easy and accurate tilt up to 45°.



Designed for effective waste extraction; as the machine is used, the dust is thrown down the extraction assembly to the port, ready to be fully removed using a suitable dust extraction machine.

BD150A

4"x6" Belt/Disc Sander



WOODFAST

BD150A is a powerful combination machine which allow you to sand the full range of your work. Changing the spacious 4-inch-by-36-inch belt is a breeze, so you'll have the power to switch and replace sand paper grits as needed without wasting any time. The belt also tilts from 0 to 90 degrees to accommodate the needs of your particular workpiece while the heavy cast-iron base prevents vibrations.

WOODFAST

Specifications

Belt Size	100*915mm
Disc Size	150mm
Disc Table Size	150x228mm
Working table tilt	0-45°
Motor Power	1/3HP
Volt	220-240V/50Hz
Disc Speed	2850rpm
Belt Speed	490m/min
Net/Gross Weight	17/18kgs
Package Size	560x270x300mm

Accessories



Miter gauge
Package:
150 x 100 x 60mm; 0.5/0.6Kgs

Highlight



Tilt the belt a horizontal to a vertical position and capable of sanding deep material with the table re-positioned.



Attach your favorite dust collector to the 2.5-inch dust port to minimize clean-up of saw dust and debris.



The sanding disc is accompanied by a support table equipped with 0 to 45° beveling capabilities and a removable miter gauge.



The sturdy cast iron base prevents wobbling and walking, ensuring the sander stays in one place while sanding.