
Installation Instructions for the Duty/Standby Kit

Duty/standby operation:

- › The duty/standby function is designed for two pumps installed in parallel.
- › Only one pump will operate at a time. (Three phase MLE's 10hp and smaller.)
- › The duty pump and the standby pump alternate operation every 24 hours.
- › The standby pump will automatically turn on if the duty pump has a fault.
- › A Grundfos R100 remote control is required to activate the duty/standby feature.

Installation:

1. Install and prime the two pumps per the installation and operating instructions included with the pumps.
2. Verify the power supply is connected to the first pump per the installation and operating instructions.
3. Use the Grundfos R100 remote control to set the duty/standby to “not active” in the installation menu of the first pump.
4. Use the Grundfos R100 remote control to set the “operating mode” to “stop” in the operation menu of the first pump.
5. Use the Grundfos R100 remote control to set the other displays as required for the first pump.
6. Disconnect the power supply to both pumps.
7. Installation of the AYB cable (91125604).
 - A. Remove the plug from each MLE casing with a flat head screw driver. (See Fig. 1)
 - B. Thread a new cable gland into each MLE casing and tighten with an adjustable wrench on the base nut. (See Fig. 2)
 - C. Loosen the new cable gland caps and push the cable ends through the cable glands and into MLE motors.

- D. Remove the “AYB” connector plug from the first MLE motor. (See Fig. 2)
 - E. Connect the black wire to the “A” terminal of the “AYB” connector plug.
 - F. Connect the orange wire to the “Y” terminal of the “AYB” connector plug.
 - G. Connect the red wire to the “B” terminal of the “AYB” connector plug.
 - H. Reconnect the “AYB” connector plug to the first MLE motor.
 - I. Tighten the new cable gland cap to secure the cable. (See Fig. 1)
 - J. Repeat steps D-I for the second MLE motor.
8. Connect the power supply to the two pumps per the installation and operating instructions.
 9. Use the Grundfos R100 remote control to verify the “operating mode” is set to “normal” in the operation menu of the second pump.
 10. Use the Grundfos R100 remote control to set the other displays as required for the second pump application. (“such as setpoint”)
 11. Use the Grundfos R100 remote control to set the duty/standby to “active” in the installation menu of the second pump.

Please note the second pump will search for the first pump and automatically set the duty/standby to “active” in the installation menu.
 12. The second pump will operate for the first 24 hours. The two pumps will then alternate operation every 24 hours.

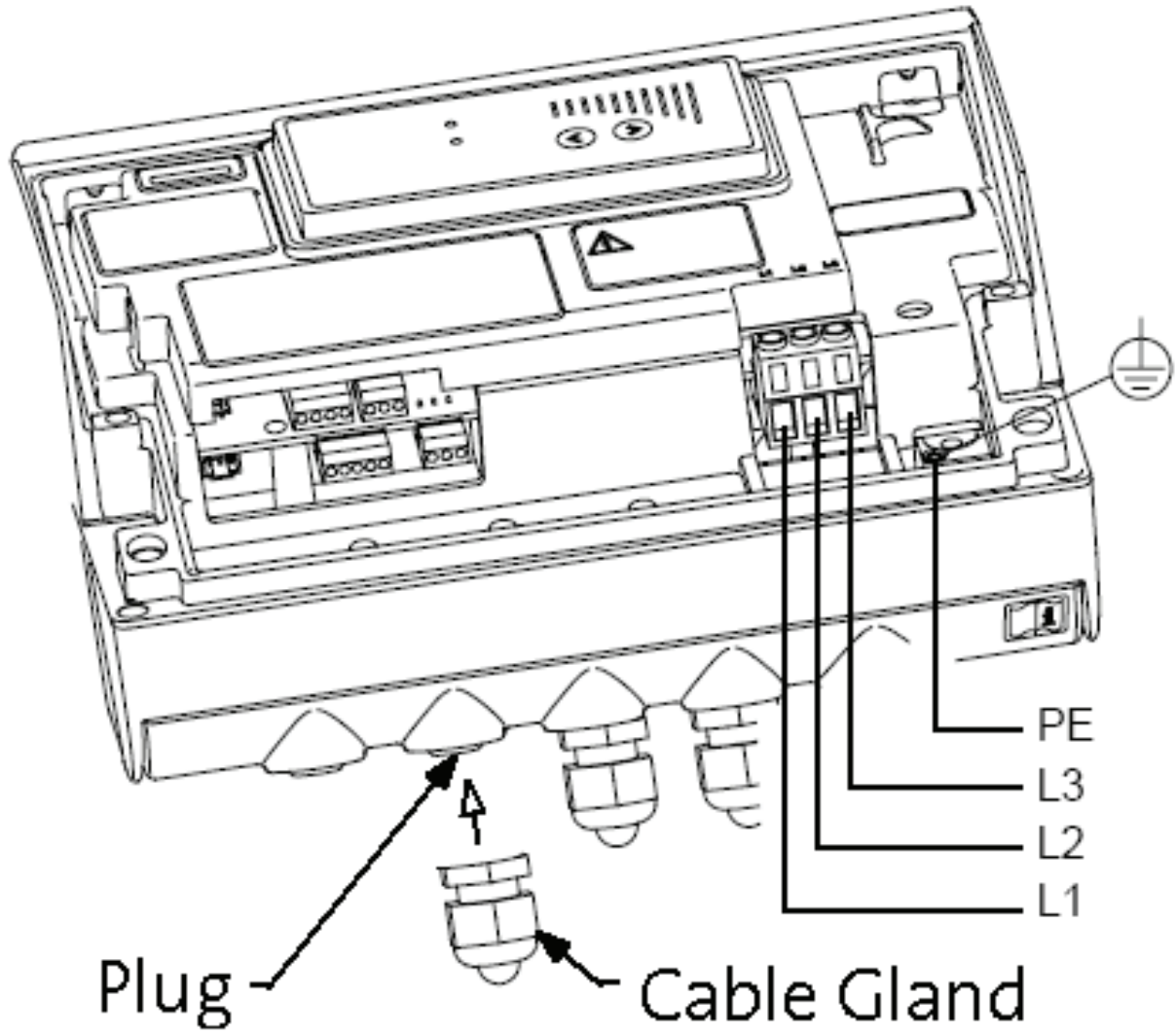


Fig. 1

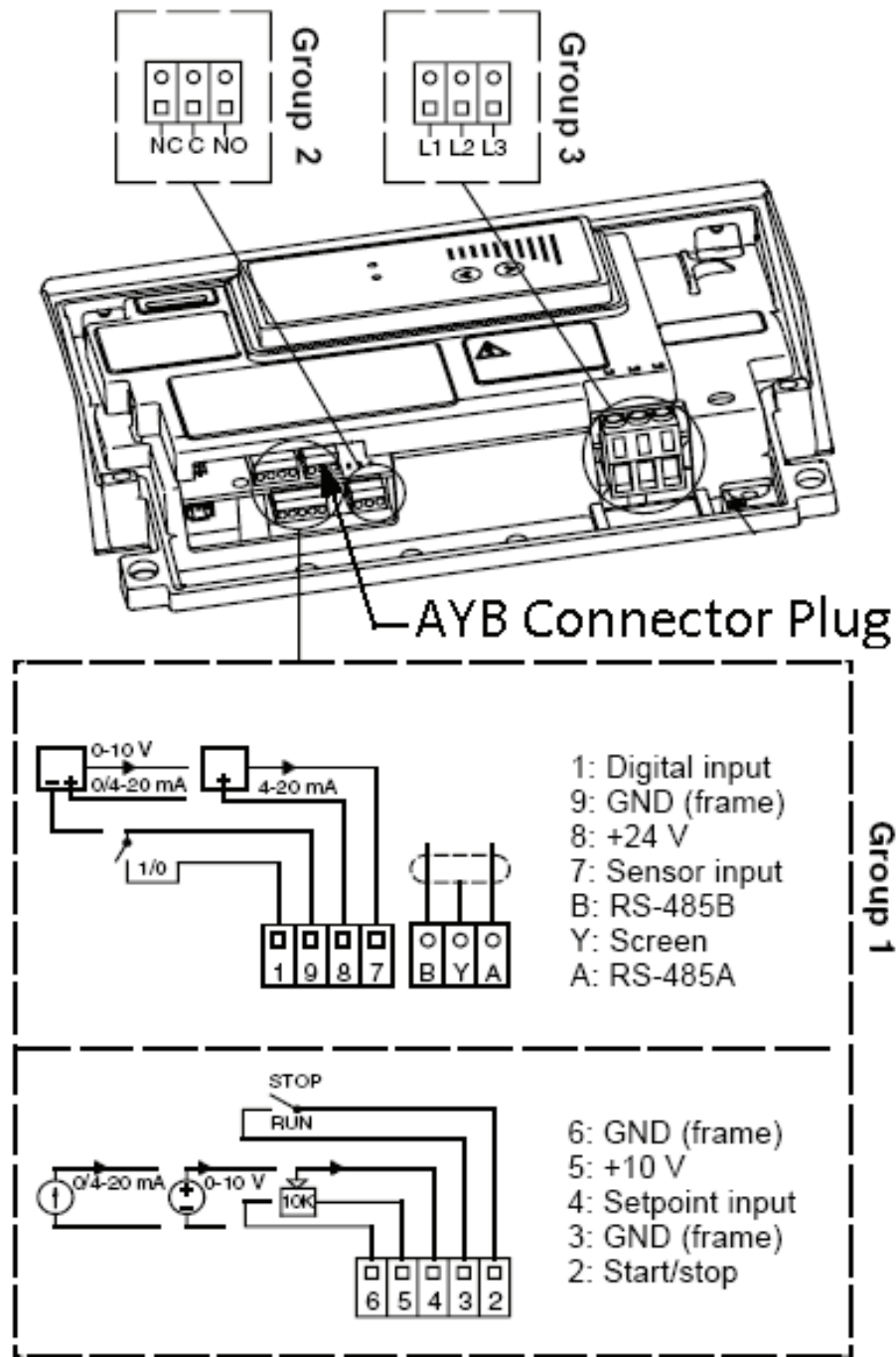


Fig. 2