

50. MTA, MTAD

MTA 30, 60, 90, 120, 200, 20H, 40H, 70H, 100H

Bottom suction

Pos.	Description	MTA 30	MTA 60	MTA 90	MTA 120	MTA 120	MTA 200	MTA 70H
	Kit No	98073609	98073623	98073627	98073629	98561950	98073630	98561963
49	Impeller, bronze	-	-	-	1	-	1	-
49	Impeller, composite	1	1	1	-	1	-	1
62	Washer	2	2	2	2	2	2	2
188a	Washer	1	1	1	1	1	1	1
188b	Nut	1	1	1	1	1	1	1

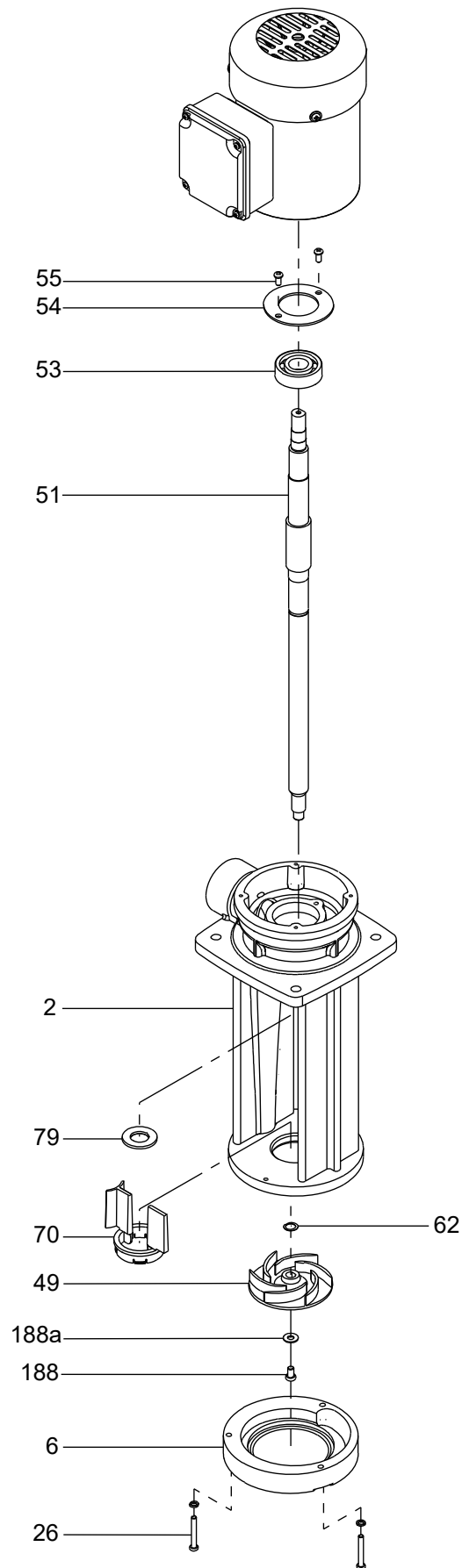
Terminal box

Description	MTA 30,60,90,20H,40H,70H	MTA 120,200,100H	MTA 30,60,90,20H,40H,70H	MTA 120,200,100H
Voltage	230 / 400 V	230 / 400 V	200 V	200 V
Kit No	98561965	98561968	98591908	98591909
Terminal box	1	1	1	1

Top suction

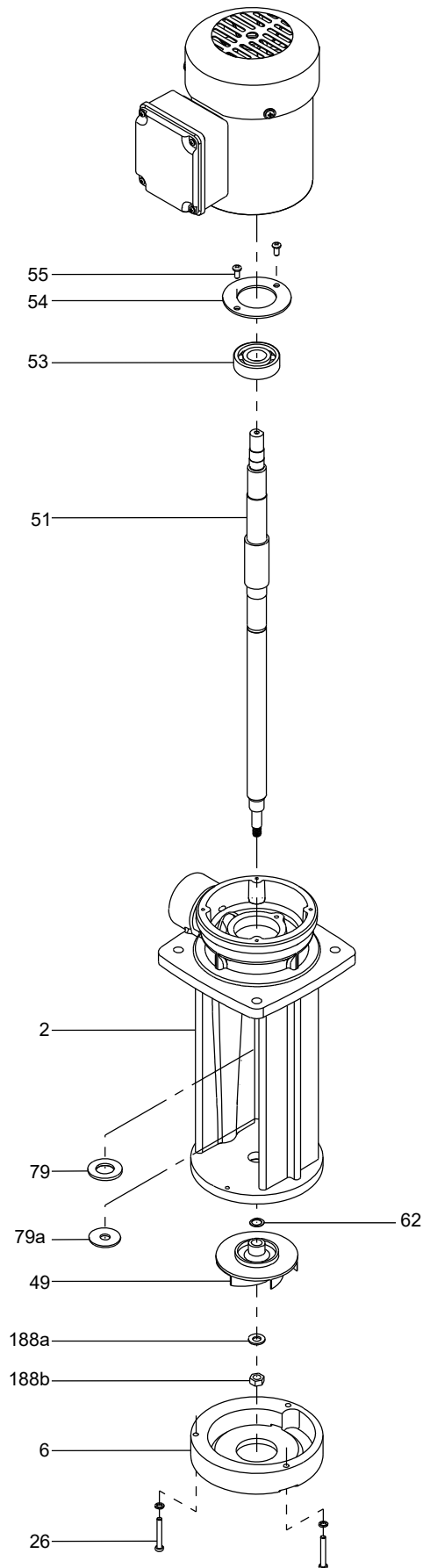
Pos.	Description	MTA 30	MTA 60	MTA 90	MTA 120	MTA120	MTA 20H	MTA 40H	MTA 70H	MTA 100H
	Kit No	98073603	98073621	98073625	98073628	98561949	98073641	98073642	98073643	98073644
49	Impeller, bronze	-	-	-	1	-	1	1	1	1
49	Impeller, composite	1	1	1	-	1	-	-	-	-
62	Washer	2	2	2	2	2	2	2	2	2
70	Vortex preventer	-	-	2	2	2	-	-	-	-
188	Bolt	1	1	1	1	1	1	1	1	1
188a	Washer	1	1	1	1	1	1	1	1	1

30, 60, 90, 120, 20H, 40H, 70H, 100H top suction



TM051996

30, 60, 90, 120, 200 bottom suction



TM051995