

DMX 221

Dosing pump

Installation and operating instructions



DMX 221
Installation and operating instructions
(all available languages)
<http://net.grundfos.com/qr/i/99558951>

be
think
innovate

GRUNDFOS 

DMX 221

English (GB)	
Installation and operating instructions	5
Čeština (CZ)	
Montážní a provozní návod	52
Deutsch (DE)	
Montage- und Betriebsanleitung	94
Español (ES)	
Instrucciones de instalación y funcionamiento.	136
Français (FR)	
Notice d'installation et de fonctionnement.	179
Ελληνικά (GR)	
Οδηγίες εγκατάστασης και λειτουργίας	221
Hrvatski (HR)	
Montažne i pogonske upute	265
Magyar (HU)	
Telepítési és üzemeltetési utasítás	306
Italiano (IT)	
Istruzioni di installazione e funzionamento	349
Latviešu (LV)	
Uzstādīšanas un ekspluatācijas instrukcija	391
Nederlands (NL)	
Installatie- en bedieningsinstructies	432
Polski (PL)	
Instrukcja montażu i eksploatacji.	474
Português (PT)	
Instruções de instalação e funcionamento	518
Română (RO)	
Instrucţiuni de instalare şi utilizare	561
Srpski (RS)	
Uputstvo za instalaciju i rad	602
Svenska (SE)	
Monterings- och driftsinstruktion	643
Slovensko (SI)	
Navodila za montažo in obratovanje	684

Türkçe (TR)	
Montaj ve kullanım kılavuzu	725
中文 (CN)	
安装和使用说明书	767
Appendix A.	805
Appendix B.	813

English (GB) Installation and operating instructions

Original installation and operating instructions

Table of contents

1. General information	6	7.7	Returning the product.	32
1.1 Qualification and training	6	8. Fault finding the product	33	
1.2 Hazard statements	6	8.1 The dosing pump does not run	33	
1.3 Notes	6	8.2 The dosing pump does not suck in	33	
1.4 Symbols on the product.	6	8.3 No dosing flow	33	
2. Installing the product	7	8.4 The dosing flow is inaccurate.	34	
2.1 Location	7	8.5 Permanent leakage from the integral relief valve.	34	
2.2 Mechanical installation	12	8.6 The diaphragm leakage sensor does not operate properly.	34	
2.3 Electrical connection	13	9. Technical data	35	
3. Starting up the product	14	9.1 Ambient conditions	35	
3.1 Preparing the pump for startup	14	9.2 Dosing medium	35	
3.2 Safety instructions and requirements for startup.	14	9.3 Mechanical data.	36	
3.3 Starting up the pump	15	9.4 Electrical data	39	
3.4 Stopping and starting dosing	15	9.5 Dimensions and weights	40	
3.5 Deaerating the pump during operation.	16	9.6 Dosing curves.	41	
3.6 Adjusting the zero point.	16	10. Disposing of the product	42	
3.7 Adjusting the dosing flow via the stroke length	17	10.1 Disposing of hazardous or toxic materials.	42	
3.8 Adjustment of the stroke rate with a frequency converter.	17	10.2 Disposing of the product	42	
3.9 Opening and reactivating the integral relief valve.	17	11. Pump options and variants.	43	
3.10 Setting the opening pressure of the integral relief valve	18	11.1 Diaphragm leakage sensor	43	
3.11 Operating the pump with electronics	18	11.2 Pumps with VFD	48	
4. Handling and storing the product	19			
4.1 Handling the product	19			
4.2 Storing the product	19			
5. Product introduction	20			
5.1 Product description	20			
5.2 Applications	22			
5.3 Identification.	22			
6. Taking the product out of operation.	27			
7. Maintaining the product.	28			
7.1 Maintenance schedule	28			
7.2 Safety instructions for maintaining the dosing diaphragm or the valves	29			
7.3 Preparing for maintenance of the dosing diaphragm or the valves	29			
7.4 Cleaning or replacing the inlet and outlet valves	30			
7.5 Cleaning or replacing the dosing diaphragm.	31			
7.6 Cleaning or replacing the diaphragm of the integral relief valve	31			

1. General information



Read this document before you install the product. Installation and operation must comply with local regulations and accepted codes of good practice.

Observe the instructions of optional components of the product.

Observe the material safety data sheet of the dosing medium.

Observe the installation and operating instructions supplied with the AR control unit, Servomotor or VFD in addition to the instructions in this manual.

- AR control unit: <http://net.grundfos.com/qr/i/91834764>
- Servomotor: <http://net.grundfos.com/qr/i/99559293>
- VFD supplier manual: <https://www.nord.com>.

Related information

[11.1 Diaphragm leakage sensor](#)

[11.2 Pumps with VFD](#)

1.1 Qualification and training

The persons responsible for installation, startup and service must be appropriately qualified for these tasks.

If the persons do not have the necessary knowledge, training and instruction must be given. If necessary, training can be performed by the manufacturer or supplier on request.

1.2 Hazard statements

The symbols and hazard statements below may appear in Grundfos installation and operating instructions, safety instructions and service instructions.



DANGER

Indicates a hazardous situation which, if not avoided, will result in death or serious personal injury.



WARNING

Indicates a hazardous situation which, if not avoided, could result in death or serious personal injury.



CAUTION

Indicates a hazardous situation which, if not avoided, could result in minor or moderate personal injury.

The hazard statements are structured in the following way:



SIGNAL WORD

Description of the hazard

Consequence of ignoring the warning

- Action to avoid the hazard.

1.3 Notes

The symbols and notes below may appear in Grundfos installation and operating instructions, safety instructions and service instructions.



Observe these instructions for explosion-proof products.



A blue or grey circle with a white graphical symbol indicates that an action must be taken.



A red or grey circle with a diagonal bar, possibly with a black graphical symbol, indicates that an action must not be taken or must be stopped.




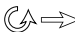
If these instructions are not observed, it may result in malfunction or damage to the equipment.



Tips and advice that make the work easier.

1.4 Symbols on the product

Information provided directly on the pump must be observed and maintained in a readable condition at all times.

Symbol	Description
	Arrows on the inlet and outlet valves indicate the flow direction
	An arrow on the motor indicates the direction of rotation

2. Installing the product

2.1 Location

- The product must be protected from direct sunlight and rain.
- Make sure the ambient conditions match the enclosure class of the motor and the pump.
- Install the product indoors if it has electronic components.
- Observe all the ambient-condition requirements mentioned in the technical data section.
- Observe the sections Installation requirements and Safety instructions and requirements for startup.

Related information

[2.1.1 Installation requirements](#)

[2.1.2 Installation tips](#)

2.1.1 Installation requirements

WARNING Chemical hazard

Death or serious personal injury



- Observe the material safety data sheet of the dosing medium.
- Collect and dispose of all chemicals in a way that is not harmful to persons or the environment.

- Make sure the pump is suitable for the dosing medium.
- Observe sections Installation tips and Operating conditions. If you have questions, contact your Grundfos service partner.
- Design your dosing system with monitoring and control functions to safeguard the entire system.
- Make sure the pressure at the outlet valve is 1 bar higher than the pressure at the inlet valve.
- Use pipes and hoses that match the connections and the maximum operating pressure. Observe section Type key.
- Keep all lines free from strain. Avoid loops and buckles in the hoses. Keep the inlet line as short as possible. Use swept bends instead of elbows.
- Make sure the dosing medium is flowing in an upward direction.
- Provide a minimum space of 90 mm above the motor fan cover.

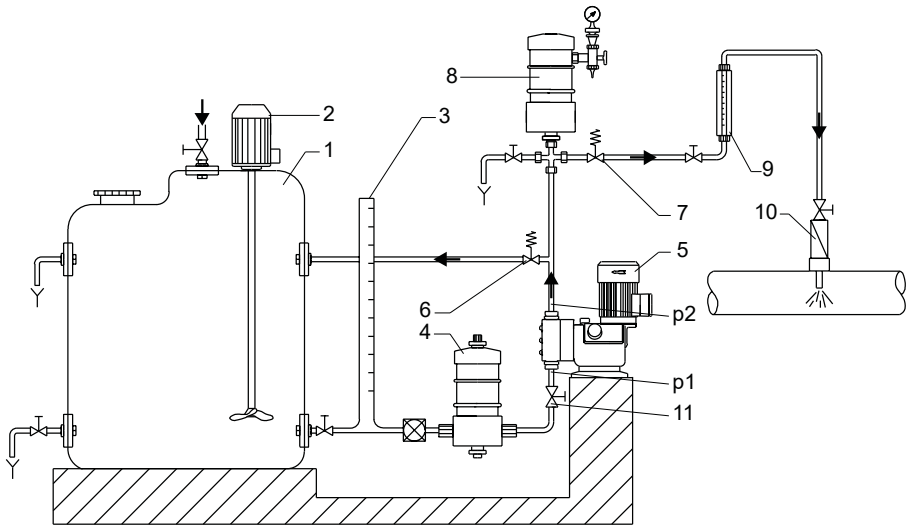
Related information

[3.2 Safety instructions and requirements for startup](#)

[5.3.2 Type key](#)

2.1.2 Installation tips

The drawing shows an example of an optimum installation. The following subsections describe various components and when they should be used.



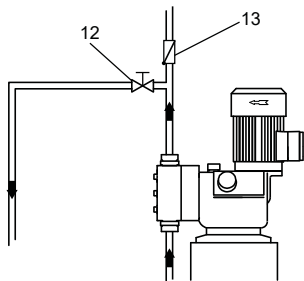
TMC65896

Pos.	Component
1	Dosing tank
2	Electric mixer
3	Graduated cylinder
4	Pulsation damper, inlet side
5	Dosing pump
6	Pressure relief valve
7	Pressure loading valve
8	Pulsation damper, outlet side
9	Measuring glass
10	Injection unit
11	Isolating valve
p1	Pressure at the inlet valve
p2	Pressure at the outlet valve

2.1.2.1 Installation with ball valve and non-return valve

For easy deaeration of the dosing head, we recommend that you install a ball valve (12) with a bypass line immediately after the outlet valve.

In order to prevent backflow in the outlet line and to simplify startup, we recommend that you install a non-return valve (13) in the outlet line.



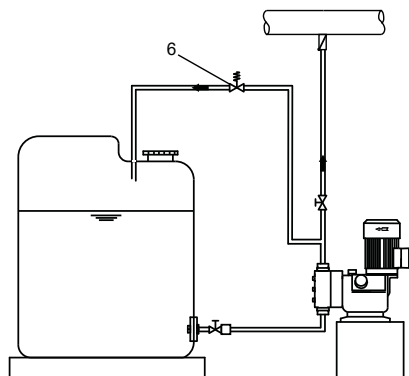
2.1.2.2 Installation of the inlet line

When you install the inlet line, observe the following points:

- Keep the inlet line as short as possible. Avoid tangling.
- Use swept bends instead of elbows.
- Always run the inlet line up towards the inlet valve.
- Avoid loops. Loops may cause air bubbles.

2.1.2.3 Installation with pressure-relief valve

To protect the dosing pump and outlet line from excessive pressure, we recommend that you install a pressure-relief valve (6) in the outlet line.



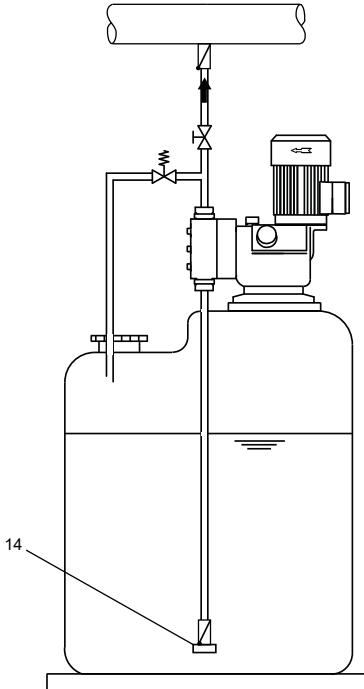
TM066783

TM066784

2.1.2.4 Installation on a tank

When dosing non-degassing media with a viscosity similar to that of water, the pump can be mounted on a tank.

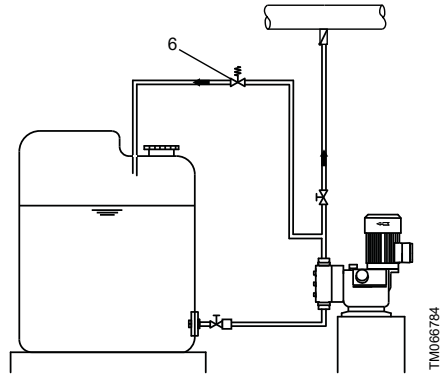
- Observe the maximum suction lift.
- For sedimenting media, we recommend that you install an inlet line with a filter (14). Install the foot valve 10 mm above the possible level of sedimentation.



TM066786

Flooded suction

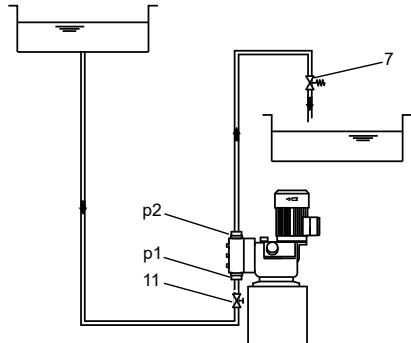
When dosing degassing media or media with a higher viscosity than that of water, the suction lift will be reduced. In these cases, flooded suction may be required.



TM066784

2.1.2.5 Siphon effect

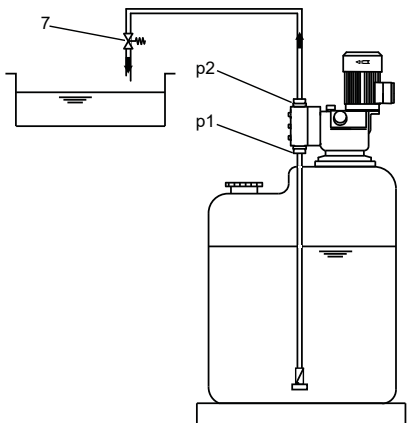
The pressure at the outlet valve (p2) must always be at least 1 bar higher than the pressure at the inlet valve (p1). If this is not the case, for example in an installation with open outflow or with flooded suction, siphon effect may occur. To avoid the siphon effect, install a pressure-loading valve (7) in the outlet line and an isolating valve (11) directly before the inlet valve.



TM066788

2.1.2.6 Installation with pressure-loading valve

The pressure at the outlet valve (p2) must always be at least 1 bar higher than the pressure at the inlet valve (p1). If the pressure difference (p2 minus p1) is lower than 1 bar, install a pressure-loading valve (7) in the outlet line.



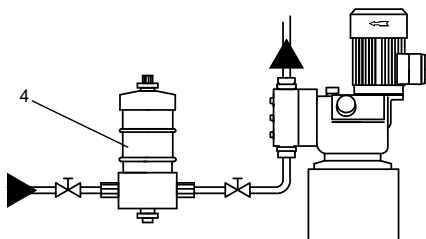
TM066787

2.1.2.7 Installation with pulsation damper on the inlet side

In a dosing system, pressure peaks can occur in the inlet line in case of one of the following conditions:

- long inlet line
- inlet line with small diameter
- dosing medium with high density or viscosity
- large pump.

To protect the inlet line against pressure peaks, we recommend that you install a properly sized pulsation damper (4) directly before the inlet valve of the pump.



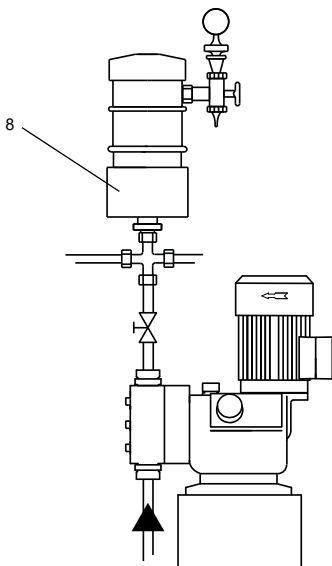
TM066790

2.1.2.8 Installation with pulsation damper on the outlet side

In a dosing system, pressure peaks can occur in the outlet line in case of one of the following conditions:

- long outlet line
- outlet line with small diameter
- dosing medium with high density or viscosity
- large pump.

To protect the outlet line against pressure peaks, we recommend that you install a properly sized pulsation damper (8) in the outlet line.



TM066789

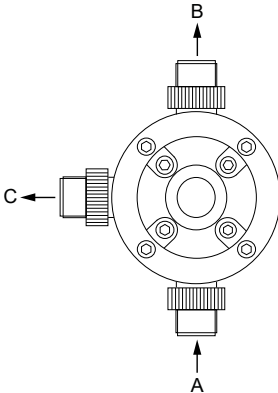
2.2 Mechanical installation

2.2.1 Mounting the pump

Have a spanner and four M6 screws available. The screws are not included in the scope of delivery.

1. Place the pump horizontally on a wall bracket or a tank.
2. Fix the pump with the four screws. Tighten the screws gently in order not to damage the housing.

2.2.2 Dosing head connections



TM066261

Pos.	Description
A	Inlet valve, connection for the inlet line
B	Outlet valve, connection for the outlet line
C	Integral relief valve (optional), connection for the overflow line



WARNING

Chemical hazard

Death or serious personal injury

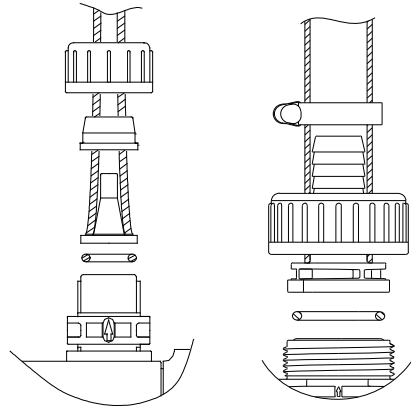
- For pumps with an integral relief valve, connect an overflow line to C.

Related information

[2.1.1 Installation requirements](#)

2.2.2.1 Connecting hoses

Hoses are to be connected to the valves with a connection piece.



TM066871

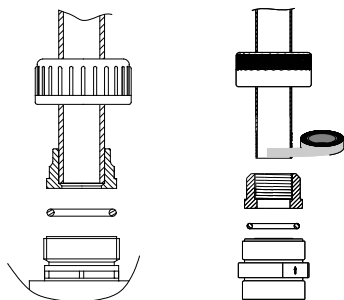
1. Make sure the valve gasket is placed correctly.
2. Push the hose firmly onto the nipple or nozzle.
3. Secure the hose with the connection counterpart or a hose clip.
4. Screw the union nut onto the valve and tighten it.

Related information

[2.1.1 Installation requirements](#)

2.2.2.2 Connecting pipes

Pipes are to be connected to the valves with a connection piece.



TM066870

1. Make sure the valve gasket is placed correctly.
2. Mount the pipe line according to the material:
 - PVC: Glue the pipe into the connection.
 - PP, PVDF: Weld the pipe into the connection.
 - Stainless steel: Apply a sealing to the pipe thread, e.g. PTFE tape. Screw the pipe into the connection.
3. Screw the union nut onto the valve and tighten it.

Related information

[2.1.1 Installation requirements](#)

2.3 Electrical connection

2.3.1 Safety instructions and requirements for electrical connection

DANGER

Electric shock

Death or serious personal injury



- All electrical connections must be carried out by qualified persons.
- Do not open the pump housing.
- Switch off the power supply before making any electrical connections.

WARNING

Chemical hazard

Death or serious personal injury



- Make sure the pump has been correctly installed and is ready to be started before you switch on the power supply.

- Make sure the power supply specified on the nameplate matches the local conditions.
- Protect the cable connections and plugs against corrosion and humidity.
- Isolate the power supply electrically from the signal inputs and outputs.

- Observe the direction of rotation of the motor.
- Provide the motor with a protective circuit breaker and set it to the rated motor current.
- Three-phase motors are factory-set for star connection.
- When the pump is used with a frequency converter, make the connection according to the voltage of the frequency converter.
- Observe the relevant sections or instructions when connecting electronic components.

2.3.2 Making electrical connection with mains plug

1. Switch off the power supply to the power socket.
2. Insert the mains plug of the pump into the power socket.

Related information

[2.3.1 Safety instructions and requirements for electrical connection](#)

2.3.3 Making electrical connection without mains plug

- Observe section Safety instructions and requirements for electrical connection.
1. Switch off the power supply.
 2. Open the terminal box on the motor.
 3. Connect the motor according to the wiring diagram printed on the inside of the terminal box cover.
 4. Close the terminal box on the motor.

Related information

[2.3.1 Safety instructions and requirements for electrical connection](#)

3. Starting up the product

3.1 Preparing the pump for startup

- Observe section Safety instructions and requirements for startup.
- Make sure the pump has been connected electrically by a qualified person.
- Make sure the power supply specified on the nameplate matches the local conditions.
- Check that all pipe or hose connections have been tightened properly and tighten them, if necessary.
- Check that the dosing head screws have been tightened with the specified torque and tighten them, if necessary.
- Check that the vent plug on the pump housing is open.
- For pumps with integral relief valve: Check that the overflow line is connected properly to the integral relief valve.
- For pumps with diaphragm leakage sensor: Check that the diaphragm leakage sensor is functioning correctly.

Related information

[3.2 Safety instructions and requirements for startup](#)

[3.3 Starting up the pump](#)

[11.1.4 Checking the diaphragm leakage sensor](#)

3.2 Safety instructions and requirements for startup

WARNING

Chemical hazard

Death or serious personal injury

- Observe the material safety data sheet of the dosing medium.
- Wear protective clothing when working on the dosing head, connections or lines.
- Collect and dispose of all chemicals in a way that is not harmful to persons or the environment.
- Make sure the pump has been correctly installed and is ready to be started before you switch on the power supply.



WARNING

Chemical hazard

Death or serious personal injury

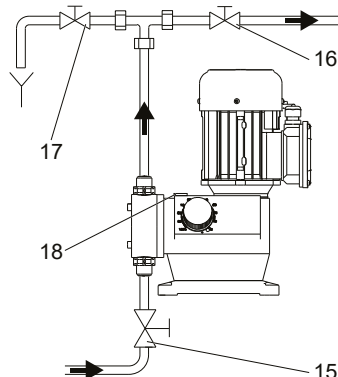
- Tighten the dosing head screws after initial startup and every time the dosing head has been opened. After 6-10 operating hours or two days, retighten the dosing head screws using a torque wrench.



- The vent plug must be open while the pump is running.
- Only adjust the stroke length while the pump is running.

3.3 Starting up the pump

- Observe section Preparing the pump for startup
- Observe section Safety instructions and requirements for startup
- Make sure the pump is switched off, unpressurised and empty.



TM065814

Pos.	Description
15	Isolating valve
16	Isolating valve
17	Deaeration valve
18	Vent plug

1. Open the vent plug (18) in the pump housing.
The vent plug must be open while the pump is running.
2. Open the isolating valves on the inlet side and outlet side (15, 16), if installed.
3. Relieve the counterpressure so that air can escape and dosing medium can flow out.
 - Open the deaeration valve (17), if installed.
 - Open the relief valve, if installed.
4. Switch on the power supply.
5. For pumps with AR control unit: Press the start/stop button and keep pressing it for continuous operation during the deaeration process.
6. Set the stroke-length adjusting knob to 100 %.
7. Let the pump run until the dosing medium is free of air bubbles.
The pump has been deaerated.
8. Reactivate the deaeration valve or relief valve.
 - Close the deaeration valve (17), if installed.
 - Reactivate the relief valve, if installed.

9. Cross-tighten the dosing head screws with the correct torque.

The pump is now started up. Make the required operating settings.

Related information

[3.1 Preparing the pump for startup](#)

[3.2 Safety instructions and requirements for startup](#)

[3.9 Opening and reactivating the integral relief valve](#)

3.4 Stopping and starting dosing

Make sure the pump was installed and started up correctly.

1. To stop dosing:
 - For pumps with AR control unit, press the start/stop button.
 - Switch off the power supply.
2. To start dosing:
 - Switch on the power supply.
 - For pumps with AR control unit, press the start/stop button.

Related information

[3.1 Preparing the pump for startup](#)

[3.3 Starting up the pump](#)

3.5 Deaerating the pump during operation

Make sure the pump was installed and started up correctly.

WARNING

Chemical hazard

Death or serious personal injury



- Wear protective clothing when working on the dosing head, connections or lines.
- Before relieving the pressure from the outlet side, make sure escaping dosing medium cannot cause any harm to persons or equipment.
- Collect and dispose of all chemicals in a way that is not harmful to persons or the environment.

1. Relieve the counterpressure so that air can escape and dosing medium can flow out.
 - Open the deaeration valve (17), if installed.
 - Open the relief valve, if installed.
2. Switch on the power supply.
3. For pumps with AR control unit: Press the start/stop button and keep pressing it for continuous operation during the deaeration process.
4. Set the stroke-length adjusting knob to 100 %.
5. Let the pump run until the dosing medium is free of air bubbles.
The pump has been deaerated.
6. Reactivate the deaeration valve or relief valve.
 - Close the deaeration valve (17), if installed.
 - Reactivate the relief valve, if installed.
7. Change back to operating settings of the pump.

Related information

[3.3 Starting up the pump](#)

[3.4 Stopping and starting dosing](#)

[9.3.1 Torque values](#)

3.6 Adjusting the zero point

Make sure the pump was installed and started up correctly.

WARNING

Chemical hazard

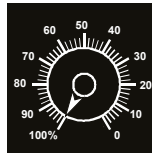
Death or serious personal injury



- Wear protective clothing when working on the dosing head, connections or lines.
- Collect and dispose of all chemicals in a way that is not harmful to persons or the environment.



Only adjust the stroke length while the pump is running.



The zero point is factory-set to a counterpressure of 3 bar. If the operating counterpressure at the outlet valve deviates considerably from this value, we recommend that you readjust the zero point to obtain more precise values.

1. Install a transparent hose with dosing medium in the inlet valve, or use the scaled pulsation damper, if installed on the inlet side.
2. For pumps with level control unit, deactivate the function.
3. Start dosing.
4. Set the dosing flow to 15 %.
5. Turn the adjusting knob slowly towards the zero point until the dosing flow stops.
The medium level stops falling in the transparent hose.
6. Stop dosing.
7. Unscrew the locking screw below the stroke-length adjusting knob.
8. Without changing the position of the adjusting knob, remove the plug placed in the middle of the adjusting knob.
9. Unscrew the screw in the adjusting knob together with the spiral spring.
10. Gently and without turning it, pull off the adjusting knob.

11. Fit it back in such a way that the arrow on the adjusting knob is pointing to zero on the dial.
12. Refit the spiral spring and the screw in the adjusting knob. Tighten the screw until the spring is slightly preloaded.
Even when turning the adjusting knob to 100 %, the spiral spring must remain preloaded.
13. Screw in the locking screw below the stroke-length adjusting knob.

Related information

- [3.2 Safety instructions and requirements for startup](#)
- [9.6 Dosing curves](#)

3.7 Adjusting the dosing flow via the stroke length

Make sure the pump was installed and started up correctly.



Only adjust the stroke length while the pump is running.

- To increase the dosing flow, turn the adjusting knob slowly to the left.
- To decrease the dosing flow, turn the adjusting knob slowly to the right.

Related information

- [3.2 Safety instructions and requirements for startup](#)
- [5.1.1 DMX 221 components](#)
- [5.1.2 Functional principle of the pump](#)
- [9.6 Dosing curves](#)

3.8 Adjustment of the stroke rate with a frequency converter

If a frequency converter is connected, the dosing flow can be adjusted by changing the stroke rate. This can only be done in the range of 10-100 % of the maximum stroke rate.

For more information, read the installation and operating instructions of the frequency converter.

Related information

- [11.2 Pumps with VFD](#)

3.9 Opening and reactivating the integral relief valve

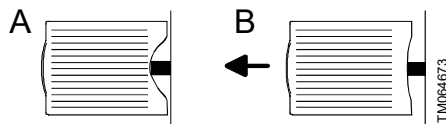
- Make sure the pump was installed and started up correctly.
- Make sure the pump is running during this task.

WARNING Chemical hazard

Death or serious personal injury



- Wear protective clothing when working on the dosing head, connections or lines.
- Collect and dispose of all chemicals in a way that is not harmful to persons or the environment.



Knob positions

1. To open the relief valve, turn the relief-valve knob to position B.
The relief valve is open. Dosing medium and air can flow out through the overflow line.
2. To reactivate the relief valve, turn the relief-valve knob to position A.
The relief valve is reactivated and will open at the set opening pressure.

Related information

- [3.10 Setting the opening pressure of the integral relief valve](#)

3.10 Setting the opening pressure of the integral relief valve

- Make sure a pressure gauge is installed between the pump and an isolating valve in the outlet line.
- Make sure the pump was installed and started up correctly.
- Make sure the pump is running during this task.

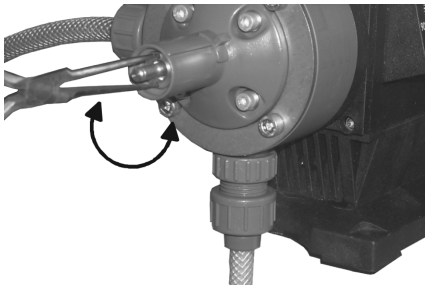
WARNING

Chemical hazard

Death or serious personal injury



- Do not set the opening pressure higher than the maximum counterpressure of the pump.
- Wear protective clothing when working on the dosing head, connections or lines.
- Collect and dispose of all chemicals in a way that is not harmful to persons or the environment.



Setting the opening pressure of the relief valve using a pair of pointed pliers

1. Remove the cap from the relief valve.
2. Close the isolating valve.
3. When the relief valve opens, read the pressure on the pressure gauge.
4. Set the opening pressure of the relief valve:
 - To increase the opening pressure, turn the knob clockwise using a pair of pointed pliers until the desired pressure is reached. Do not set the opening pressure higher than the maximum counterpressure of the pump.
 - To reduce the opening pressure, turn the knob counter-clockwise using a pair of pointed pliers until the desired pressure is reached.
5. Open the isolating valve.
6. Refit the cap.

Related information

[3.1 Preparing the pump for startup](#)

[3.3 Starting up the pump](#)

3.11 Operating the pump with electronics

Observe the installation and operating instructions supplied with the AR control unit, Servomotor or VFD in addition to the instructions in this manual.

- AR control unit: <http://net.grundfos.com/qr/i/91834764>
- Servomotor: <http://net.grundfos.com/qr/i/99559293>
- VFD supplier manual: <https://www.nord.com>

Related information

[11.1 Diaphragm leakage sensor](#)

[11.2 Pumps with VFD](#)

4. Handling and storing the product

4.1 Handling the product



Close the vent plug when taking the pump out of operation for transport, storage or service.

- Retain the packaging for future storage or transport, or dispose of the packaging in accordance with local regulations.
The packaging depends on the pump type and the scope of delivery.
- Make sure the product is suitably protected during transport and intermediate storage.
- Keep the product in an upright position.
- Do not throw or drop the product.

4.2 Storing the product



Close the vent plug when taking the pump out of operation for transport, storage or service.

- Store the pump in an upright position so that the grease cannot leak out.
- Store the pump in a dry and clean place.
- Observe the permissible ambient conditions.

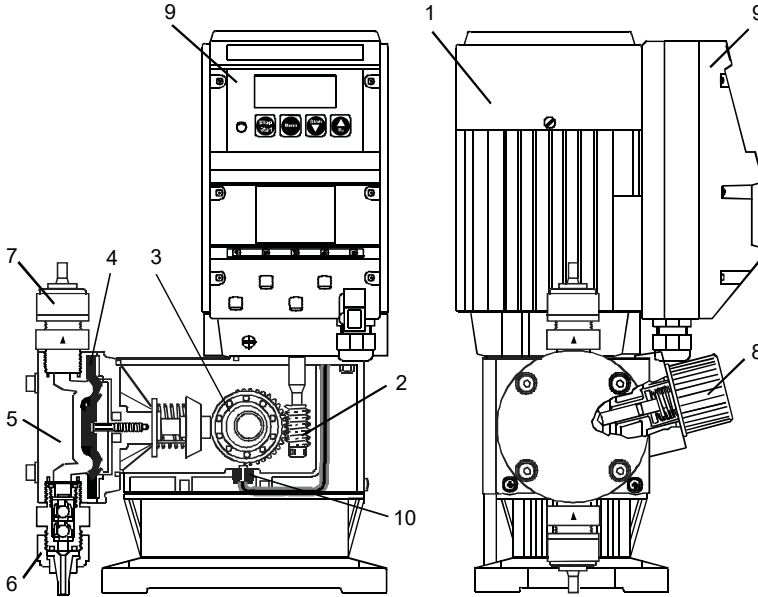
Related information

[9.1 Ambient conditions](#)

5. Product introduction

5.1 Product description

5.1.1 DMX 221 components



TM065892

Pos.	Description
1	Motor
2	Gears
3	Eccentric
4	Dosing diaphragm
5	Dosing head
6	Inlet valve
7	Outlet valve
8	Stroke-length adjusting knob
9	AR control unit (optional)
10	Stroke sensor

5.1.2 Functional principle of the pump

DMX pumps are reciprocating displacement pumps with electric motor and a mechanical diaphragm.

- Alternating strokes cause the diaphragm to increase and decrease the size of the dosing chamber and by that draw in and force out dosing medium through the inlet and outlet valves.
- The dosing strokes are generated by an eccentric, which moves the diaphragm by means of a tappet.
- The suction strokes are activated by the return movement of the spring.
- The stroke volume and thus the dosing flow can be adjusted by adjusting the stroke length.

Dosing flow control

- Flow control via the stroke length: The flow can be controlled either by turning the stroke-length adjusting knob manually, or by means of an optional servomotor. The volume of each stroke is increased or decreased, the stroke rate remains constant.
- Flow control via frequency converter (VFD): The flow can be controlled via an integrated or external frequency converter. The volume of each stroke remains constant, the stroke rate is increased or decreased.
- Flow control via AR control unit: The flow of DMX pumps with AR control unit can be controlled by adjusting the interval between strokes. This is done via analog or pulse signals or by manually adjusting the stroke frequency.

5.1.3 AR control unit

The AR control unit offers various operating modes, control functions and monitoring functions. The AR control unit has an IP65 plastic housing. The AR control unit is available for pumps with single-phase motors.



Observe the installation and operating instructions for the AR control unit.

Related information

- <http://net.grundfos.com/qr/i/91834764>

5.1.4 Functional principle of the integral relief valve

Some dosing head variants have an integral relief valve. The opening pressure of the integral relief valve is factory-set to the maximum counterpressure stated on the pump nameplate. During operation, the opening pressure depends on various factors, such as the flow, the stroke frequency or the counterpressure in the dosing system. The integral relief valve can be adapted to the local conditions.

- If the pressure in the dosing head rises above the set opening pressure, the integral relief valve will open. The dosing medium will flow through the overflow line, and it can be returned into the dosing tank.
- The integral relief valve will protect the outlet side from an excessive pressure build-up by the pump. The integral relief valve will also protect the pump if the outlet valve is dirty or blocked.
- The integral relief valve can be opened manually. This function can be used to deaerate the dosing head and the inlet line.

Related information

[3.10 Setting the opening pressure of the integral relief valve](#)

[5.3.2 Type tank](#)

5.1.5 Stroke sensor

The stroke sensor is a two-wire inductive proximity switch for signalling the strokes.

- Sensor type: PNP
- Supply voltage U_B : 10-30 V
- Switching function: NO (Normally Open) contact.

5.2 Applications

5.2.1 Intended use

pumps are suitable for dosing liquid, non-flammable and non-combustible media strictly in accordance with these installation and operating instructions. Do not use DMX 221 pumps in potentially explosive environments.

dosing pumps can only be operated in a safe and effective way, if they are installed properly and the required ambient conditions are provided. Observe sections Location and Technical data.

Incorrect use

- The operational safety of the pump is only ensured if it is used in accordance with section Intended use.
- The limit values specified in section Technical data must not be exceeded.
- The pump is not approved for operation in potentially explosive areas.

5.2.2 Safety of the system in case of a failure in the dosing pump



Design your dosing system with monitoring and control functions to safeguard the entire system.



WARNING Chemical hazard

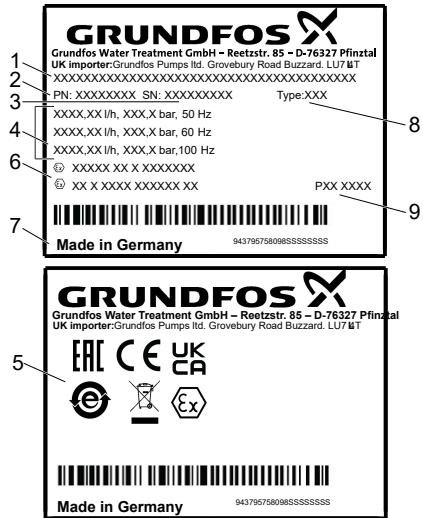
Death or serious personal injury

- Check on a monthly basis that dosing medium is not leaking out of the pump.

- In case of a diaphragm leakage, dosing medium may leak out of the hole in the intermediate flange between the pump and the dosing head. The parts inside the housing are protected from the dosing medium for a short time (depending on the type of medium) by the housing sealing.
- Check monthly if medium is leaking out of the intermediate flange. In case of a diaphragm leakage, immediately stop the operation of the pump and close the isolating valves on the inlet side and outlet side.
- For maximum safety, we recommend the pump version with diaphragm leakage sensor.

5.3 Identification

5.3.1 Nameplate



TM080167

Pos.	Description
1	Type designation
2	Product number
3	Serial number
4	Pump performance by frequency
5	Marks of approval
6	ATEX designation
7	Country of origin
8	Pump model
9	Production code (year and week)

5.3.2 Type key

The type key is used to identify the precise pump and is not used for configuration purposes.

Type	
DMX50-10 B-PVC/V/C-X-E1U2U2XEMNG	
Nominal dosing capacity [l/h]	
DMX50-10 B-PVC/V/C-X-E1U2U2XEMNG	
Max. pressure [bar]	
DMX50-10 B-PVC/V/C-X-E1U2U2XEMNG	
Control variant	
DMX50-10 B-PVC/V/C-X-E1U2U2XEMNG	
B	Standard (manual control)
S2	Stroke sensor PNP
AR	AR control unit, pump-mounted
AW	AR control unit, wall-mounted
D3	Servomotor, 1AC 115-230 V, 50/60 Hz, 4-20 mA control (without manual operation)
D4	Servomotor, 24 VDC, 4-20 mA control (without manual operation)
Dosing head variant	
DMX50-10 B-PVC/V/C-X-E1U2U2XEMNG	
PP	Polypropylene
PV	Polyvinylidene fluoride (PVDF)
SS	Stainless steel, 1.4571 (EN 10027-2), 316Ti (AISI)
PVC	Polyvinyl chloride
PPL	PP with Diaphragm Leakage Detection (DLD)
PVL	PV with Diaphragm Leakage Detection (DLD)
SSL	SS with Diaphragm Leakage Detection (DLD)
PVCL	PVC with Diaphragm Leakage Detection (DLD)
SSHC	SS with liquid-heated flange
PVCR	PVC with integrated PRV
PVR	PV with integrated PRV

Gasket materialDMX50-10 B-PVC/V/C-X-E1U2U2XEMNG

E EPDM

V FKM

T PTFE

Valve ball materialDMX50-10 B-PVC/V/C-X-E1U2U2XEMNG

T PTFE

SS Stainless steel, 1.4401 (EN 10027-2), 316 (AISI)

C Ceramic (up to DN 20)

Terminal box position (also AR control or VFD position)DMX50-10 B-PVC/V/C-X-E1U2U2XEMNG

X Opposite side of dosing head (3 o'clock)

D Towards dosing head (9 o'clock)

S Towards adjusting knob (6 o'clock)

Supply voltageDMX50-10 B-PVC/V/C-X-E1U2U2XEMNG

E 3AC 230/400 V, 50/60 Hz, 440-480 V, 60 Hz (motors < 0.75 kW)

G 1AC 230 V, 50/60 Hz (motors ≤ 0.09 kW)
1AC 230 V, 50 Hz (motors 0.18 - 0.37 kW)H 1AC 115 V, 50/60 Hz (motors ≤ 0.09 kW)
1AC 115 V, 60 Hz (motors 0.18 - 0.37 kW)

F Without motor, NEMA flange

0 Without motor, IEC flange

K 3AC 500 V, 50 Hz

M 3AC 400/690 V, 50 Hz (standard in power plants)

Valve type (inlet/outlet)DMX50-10 B-PVC/V/C-X-E1U2U2XEMNG

1 Standard valves, not spring-loaded

3 Spring-loaded inlet valve (0.05 bar) and outlet valve (0.8 bar)

4 Spring-loaded outlet valve (0.8 bar), inlet valve not spring-loaded

5 For abrasive media

7 Not spring-loaded, inlet valve larger than outlet valve

Hydraulic connections (first = outlet, second = inlet)

DMX50-10 B-PVC/V/C-X-E1U2U2XEMNG

U2	G 5/8, for hoses 4/6 mm, 6/9 mm, 6/12 mm, 9/12 mm (PVC, PP, PVDF)
A	G 5/8, for pipes with internal thread Rp 1/4 (SS)
I007	G 5/8, installation set, including 2 pump connections, foot valve, injection unit, 6 m PVC outlet hose (6/12 mm), 2 m PVC inlet hose (6/12 mm)
U3	G 5/4, for hoses with internal diameter 19 or 20 mm and for pipes with external diameter 25 mm
U7	G 5/8, for hoses 0.17" × 1/4", 1/4" × 3/8", 3/8" × 1/2" (PVC, PP, PVDF)
A1	G 5/4, for pipes with internal thread Rp 3/4 (SS)
V	G 5/8, for pipes with internal thread 1/4 NPT (SS)
A9	G 5/8, for pipes with external thread 1/2 NPT (PVC, PVDF)
A3	G 5/4, for pipes with internal thread 3/4 NPT (SS)
A7	G 5/4, for pipes with external thread 3/4 NPT (PVC, PVDF)

Mains plug (only 1AC motors)

DMX50-10 B-PVC/V/C-X-E1U2U2XEMNG

X	No plug
F	EU (Schuko)
B	USA, Canada
I	Australia, New Zealand, Taiwan
E	Switzerland

Motor variant and certification

DMX50-10 B-PVC/V/C-X-E1U2U2XEMNG

EM	Standard motor (without certificates)
E0	Motor with PTC for thermal protection (without certificates)
FA	VFD (variable frequency drive) (without certificates)
FB	VFD with I/O extension board (without certificates)
FC	VFD with internal Profibus (without certificates)
MP	Standard motor (with certificates)
K0	Motor with PTC for thermal protection (with certificates)

Pump housing material

DMX50-10 B-PVC/V/C-X-E1U2U2XEMNG

N	Noryl (Plastic)
---	-----------------

Pump design

DMX50-10 B-PVC/V/C-X-E1U2U2XEMNG

G Grundfos

N Neutral

6. Taking the product out of operation

WARNING

Chemical hazard

Death or serious personal injury

- Observe the material safety data sheet of the dosing medium.
- Wear protective clothing when working on the dosing head, connections or lines.
- Before relieving the pressure from the outlet side, make sure escaping dosing medium cannot cause any harm to persons or equipment.
- Collect and dispose of all chemicals in a way that is not harmful to persons or the environment.



DANGER

Electric shock

Death or serious personal injury

- Electrical disconnection must be carried out by qualified persons.
- Do not open the pump housing.
- Switch off the power supply before making any electrical connections.




Close the vent plug when taking the pump out of operation for transport, storage or service.

1. Flush the dosing head with water, if possible.
2. Stop dosing:
 - For pumps with AR control unit, press the start/stop button on the AR control unit and switch off the power supply to the pump.
 - For pumps without AR control unit, switch off the power supply to the pump.
3. Close the vent plug.
4. Depressurise the pressure side of the dosing system.
5. Close the isolating valves on the inlet side and outlet side, if installed.
6. Make sure no dosing medium can flow back from the outlet side.
7. Make sure the returning dosing medium is safely collected.
8. Disconnect the inlet line and the outlet line.
9. Disconnect the pump electrically.
 - For pumps with a mains plug, remove the mains plug from the power socket.

- For pumps without mains plug, proceed as follows:
 - a. Open the terminal box on the motor.
 - b. Disconnect the motor.
 - c. Close the terminal box on the motor.
- The pump is now ready for storage or transport.

7. Maintaining the product

7.1 Maintenance schedule

Maintenance interval	Task
Monthly	Check that dosing medium is not leaking out of the pump.
Monthly	Clean the product with a soft cloth and pay special attention to the fan cover.
With a counterpressure up to 10 bar <ul style="list-style-type: none"> every 12 months every 4000 operating hours in case of fault. 	Clean or replace the dosing diaphragm, inlet valve and outlet valve.
With a counterpressure of 10 to 16 bar <ul style="list-style-type: none"> every 6 months every 2000 operating hours in case of fault. 	Clean or replace the dosing diaphragm, inlet valve and outlet valve.
<ul style="list-style-type: none"> every 12 months every 8000 operating hours in case of fault. 	Clean or replace the diaphragm of the integral relief valve.
In case of fault	Check the diaphragm leakage sensor.
	Have the gear grease changed.
Every 5 years or every 20000 operating hours	 <p>Only qualified persons authorised by Grundfos are allowed to change the gear grease. Send the pump to Grundfos or an authorised service workshop.</p>

Related information

[7.3 Preparing for maintenance of the dosing diaphragm or the valves](#)

[7.4 Cleaning or replacing the inlet and outlet valves](#)

[7.5 Cleaning or replacing the dosing diaphragm](#)

[7.6 Cleaning or replacing the diaphragm of the integral relief valve](#)

[7.7 Returning the product](#)

[11.1.5 Maintaining the diaphragm leakage sensor](#)

7.2 Safety instructions for maintaining the dosing diaphragm or the valves

WARNING

Chemical hazard

Death or serious personal injury

- Observe the material safety data sheet of the dosing medium.
- Wear protective clothing when working on the dosing head, connections or lines.
- Before relieving the pressure from the outlet side, make sure escaping dosing medium cannot cause any harm to persons or equipment.
- Collect and dispose of all chemicals in a way that is not harmful to persons or the environment.



DANGER

Electric shock

Death or serious personal injury

- Only qualified persons are allowed to service the pump.
- Do not open the pump housing.



Related information

[7.3 Preparing for maintenance of the dosing diaphragm or the valves](#)

7.3 Preparing for maintenance of the dosing diaphragm or the valves



Only adjust the stroke length while the pump is running.



Close the vent plug when taking the pump out of operation for transport, storage or service.

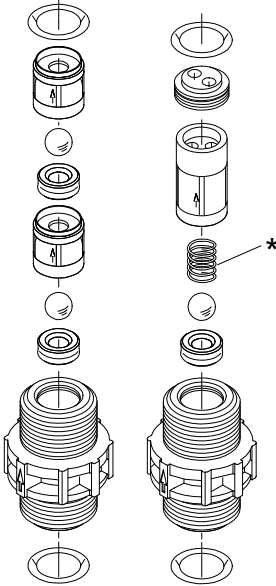
1. Flush the dosing head with water, if possible.
2. While the pump is running, set the stroke-length adjusting knob to 100 %.
3. Switch off the pump and disconnect it from the power supply.
4. Close the vent plug.
5. Depressurise the pressure side of the dosing system.
6. Make sure no dosing medium can flow back from the outlet side.
7. Make sure the returning dosing medium is safely collected.
The pump is now ready for maintenance.

Related information

[7.2 Safety instructions for maintaining the dosing diaphragm or the valves](#)

7.4 Cleaning or replacing the inlet and outlet valves

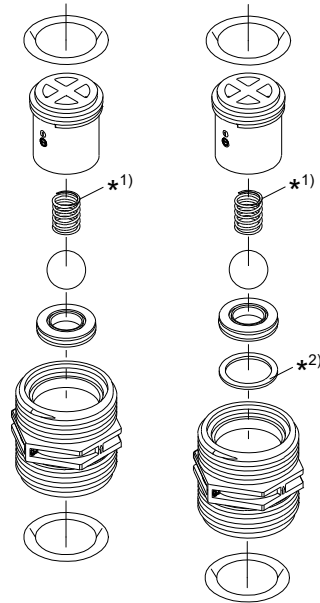
- Observe section Safety instructions for maintaining the dosing diaphragm or the valves
- Observe section Preparing for maintenance of the dosing diaphragm or the valves



Exploded view of inlet and outlet valves DN 8

Pos.	Description
------	-------------

- | | |
|---|-----------------------------|
| * | Spring-loaded as an option. |
|---|-----------------------------|



Exploded view of inlet and outlet valves DN 20

Pos.	Description
------	-------------

- | | |
|-----|-----------------------------|
| *1) | Spring-loaded as an option. |
| *2) | Stainless steel (SS) |

1. Unscrew the valve.
2. Disassemble the valve.
 - DN 8, not spring-loaded: Press out the valve cartridge and remove the valve seat from the ball cage.
 - DN 8, spring-loaded: Unscrew the ball cage with a pair of round pliers.
 - DN 20: Unscrew the ball cage with a pair of round pliers.
3. Clean all parts and check that the parts are intact.
4. Replace faulty parts with new ones.
5. Replace the O-rings with new ones.
The O-rings must be correctly placed in the specified grooves.
6. Re-assemble the valve.
7. Refit the valve in correct orientation.
The direction arrow on the valve must point in the flow direction (upwards).

TM048384

TM067472

Related information

[7.2 Safety instructions for maintaining the dosing diaphragm or the valves](#)

[7.3 Preparing for maintenance of the dosing diaphragm or the valves](#)

7.5 Cleaning or replacing the dosing diaphragm

- Observe section Safety instructions for maintaining the dosing diaphragm or the valves
 - Observe section Preparing for maintenance of the dosing diaphragm or the valves
1. Unscrew the dosing head screws.
 2. Remove the dosing head.
 3. Turn the motor fan blades until the diaphragm reaches the front dead centre.
The diaphragm will detach itself from the diaphragm flange.
 4. Turn the diaphragm counter-clockwise to unscrew the diaphragm from the tappet.
 5. Clean all parts and check that the parts are intact.
 6. Replace faulty parts with new ones.
 7. Screw in the diaphragm completely. Then turn it back until the holes in the diaphragm and the flange are aligned.
 8. Turn the motor fan blades until the diaphragm reaches the back dead centre.
The diaphragm is moved towards the diaphragm flange.
 9. Refit the dosing head.
 10. Cross-tighten the dosing head screws with the correct torque.
 11. After 6-10 operating hours or two days, retighten the screws with the correct torque.

Related information

[7.2 Safety instructions for maintaining the dosing diaphragm or the valves](#)

[7.3 Preparing for maintenance of the dosing diaphragm or the valves](#)

[9.3.1 Torque values](#)

7.6 Cleaning or replacing the diaphragm of the integral relief valve

- Observe section Safety instructions for maintaining the dosing diaphragm or the valves
 - Observe section Preparing for maintenance of the dosing diaphragm or the valves
 - Make sure a return flow or overpressure cannot occur.
1. Unscrew the four screws of the integral relief valve.
 2. Remove the top part of the integral relief valve.
 3. Remove the diaphragm.
 4. Clean all parts and check that the parts are intact.
 5. Replace faulty parts with new ones.
 6. Insert the diaphragm.
 7. Refit the top part of the integral relief valve.
 8. Cross-tighten the screws with the correct torque.
 9. After approximately 48 operating hours, retighten the screws with the correct torque.

Related information

[7.2 Safety instructions for maintaining the dosing diaphragm or the valves](#)

[7.3 Preparing for maintenance of the dosing diaphragm or the valves](#)

[9.3.1 Torque values](#)

7.7 Returning the product

There are two situations when a pump must be sent to Grundfos or an authorised service workshop:

- every five years for gear grease exchange
- whenever you request service on the pump.

WARNING

Chemical hazard

Death or serious personal injury



- Observe the material safety data sheet of the dosing medium.
- Wear protective clothing when working on the dosing head, connections or lines.
- Collect and dispose of all chemicals in a way that is not harmful to persons or the environment.

Grundfos can refuse to accept the product for service, if it is not cleaned from chemicals or if the "Safety declaration" is not provided.

1. Clean the pump thoroughly before returning it.
Make sure there are no traces of toxic or hazardous chemicals remaining on the pump.
If proper cleaning is not possible, provide all relevant information about the chemical.
2. Fill out the "Safety declaration" and attach it to the pump in a visible position.
You can find the "Safety declaration" at the end of this document.
3. Make sure the product is suitably protected during transport.

Related information

[4.1 Handling the product](#)

[6. Taking the product out of operation](#)

8. Fault finding the product

8.1 The dosing pump does not run

Cause	Remedy
The pump is not connected to the power supply.	Connect the power supply cable.
Incorrect supply voltage.	Replace the dosing pump.
Electrical failure in the motor or the pump control unit.	Return the pump for repair.
The level sensor in the supply tank has stopped the pump, because the tank is empty.	Refill the tank and start the pump.
The diaphragm leakage sensor has stopped the pump, because there is a leakage.	Replace the diaphragm and start the pump.

8.2 The dosing pump does not suck in

Cause	Remedy
The inlet line is leaking.	Check and seal or replace the inlet line.
The inlet line is too small or too long.	Check with Grundfos specifications and adapt the inlet line to the specifications.
The inlet line is clogged.	Clean or replace the inlet line.
	Clean the foot valve.
The foot valve is covered by sediment.	Clean the tank from the sediment or shorten the inlet line.
The inlet line is buckled.	Install the inlet line correctly. Check for damage.
There are crystalline deposits in the valves.	Clean the valves.
The dosing diaphragm is broken.	Replace the dosing diaphragm.

8.3 No dosing flow

Cause	Remedy
There is air in the inlet line and the dosing head.	Wait until the pump has deaerated.
The stroke-length adjusting knob is set to zero.	Turn the stroke-length adjusting knob.
The viscosity of the dosing medium is too high.	Make sure the dosing pump and the installation are suitable for the viscosity of the dosing medium.
There are crystalline deposits in the valves.	Clean the valves.
The valves are not assembled correctly.	Assemble the valve parts in the right order. Ensure correct flow direction.
The injection point is blocked.	Ensure correct flow direction (injection unit). Remove the obstruction.
The lines and peripheral equipment are installed incorrectly.	Install the lines and peripheral equipment correctly. Ensure free passage.

8.4 The dosing flow is inaccurate

Cause	Remedy
There is gas in the dosing head.	Deaerate the dosing head.
There are crystalline deposits in the valves.	Clean the valves.
The zero point is set incorrectly.	Adjust the zero point to match the actual counterpressure.
The counterpressure is fluctuating.	Install a pressure-loading valve and a pulsation damper.
The pressure in the inlet line is fluctuating.	Keep a constant level in the dosing tank by installing a break tank. Install a pulsation damper.
The inlet or outlet line is too small or too long.	Install a pulsation damper.
There is siphon effect.	Install a pressure-loading valve.
The inlet line or outlet line is leaking or porous.	Check and replace the inlet line or outlet line.
Parts in contact with the dosing medium are not resistant to it.	Replace with parts made of a resistant material.
The dosing diaphragm is worn (incipient rips).	Replace the dosing diaphragm.
The dosing pump is used at the high end of its performance range in an installation with fluctuating supply voltage.	Lower the counterpressure of the pump.
The density or the viscosity of the dosing medium varies.	Make sure the density or the viscosity of the dosing medium does not vary. Use a stirrer.

8.5 Permanent leakage from the integral relief valve

Cause	Remedy
The outlet valve or the outlet line is blocked.	Clean the outlet valve and the outlet line.
The opening pressure of the integral relief valve is set too low.	Set the opening pressure of the integral relief valve correctly.
The diaphragm of the integral relief valve is defective.	Replace the diaphragm of the integral relief valve.
The ball or seat of the integral relief valve is defective.	Replace the defective parts.
The integral relief valve is dirty.	Clean the integral relief valve.

8.6 The diaphragm leakage sensor does not operate properly

Cause	Remedy
Malfunction in the sensor.	Clean the sensor. If the sensor is not working after cleaning, replace it with new one.
The AR control unit or the electronic unit for optical sensor does not operate properly.	Contact Grundfos for service.

9. Technical data

9.1 Ambient conditions

Ambient conditions for operation

Parameter	Value
Ambient temperature	0-40 °C
Maximum relative air humidity	70 % at 40 °C, 90 % at 35 °C

Ambient conditions for storage

Parameter	Value
Ambient temperature	-20 to + 50 °C
Maximum relative air humidity	92 % (non-condensing)

9.2 Dosing medium

Dosing medium characteristics

The dosing medium must have the following basic characteristics:

- liquid
- non-flammable.

For pumps with integral relief valve, the dosing medium must have the following characteristics in addition:

- non-crystallizing.

Make sure the dosing medium is not freezing or boiling at operation conditions.

In case of questions regarding the material resistance and suitability of the pump for a specific dosing medium, contact Grundfos.

Medium temperature for pumps with PVC dosing head

Maximum counterpressure	Medium temperature
Up to 12 bar	0-40 °C
Up to 16 bar	0-20 °C

Medium temperature for pumps with stainless-steel dosing head

Maximum counterpressure	Medium temperature
Up to 16 bar	-10 to +70 °C
For SIP or CIP applications (up to 2 bar, maximum 15 minutes)	up to 145 °C

Medium temperature for pumps with PP dosing head

Maximum counterpressure	Medium temperature
Up to 10 bar	0-40 °C

Medium temperature for pumps with PVDF dosing head

Maximum counterpressure	Medium temperature
Up to 9 bar	-10 to +70 °C
Up to 10 bar	-10 to +60 °C
Up to 16 bar	-10 to +20 °C

Maximum viscosity

The values apply to dosing media with the following characteristics:

- Newtonian liquid
- non-degassing and non-abrasive liquid.

Parameter	Value
Maximum viscosity	100-400 mPa s (depending on the pump type)

Related information

[9.3.4 Suction lift](#)

9.3 Mechanical data

9.3.1 Torque values

Torque values for the dosing head screws

Use a torque wrench with an accuracy of $\pm 4\%$ to tighten the screws.

Pump type	Torque [Nm]
DMX 4-10	6-8
DMX 7-10	6-8
DMX 7,2-16	6-8
DMX 8-10	6-8
DMX 9-10	6-8
DMX 12-10	6-8
DMX 13,7-16	6-8
DMX 14-10	6-8
DMX 16-10	6-8
DMX 16-12	6-8
DMX 17-4	5-6
DMX 18-10	6-8
DMX 25-3	5-6
DMX 26-10	6-8
DMX 27-10	6-8
DMX 27-12	6-8
DMX 35-10	6-8
DMX 39-4	5-6
DMX 50-10	6-8
DMX 60-3	5-6
DMX 75-4	5-6
DMX 115-3	5-6

Torque values for the screws of the integral relief valve

Use a torque wrench with an accuracy of $\pm 4\%$ to tighten the screws.

Pump type	Torque [Nm]
DMX with integral relief valve	3-4

9.3.2 Housing materials

Pump	Material
Upper part of pump housing	PPE + PA, glass-fibre reinforced
Lower part of pump housing	PP, glass-fibre reinforced
Stroke-length adjusting knob	ABS

AR control unit	Material
Upper part of AR housing	PPE + PS, glass-fibre reinforced
Lower part of AR housing	Aluminium

9.3.3 Pump performance

Dosing flow and maximum counterpressure

The values in the table below apply to the following conditions:

- maximum counterpressure at the outlet valve. Take the pressure losses along the outlet line to the injection point into account.
- dosing medium with viscosity and density similar to those of water
- flooded suction 0.5 m
- fully deaerated dosing head
- stroke length 100 %
- three-phase 400 V motor.

Pump type	Max. dosing capacity		Max. counter-pressure		
	50 Hz	60 Hz	US [gph]	[bar]	[psi]
	[l/h]	[l/h]			
DMX 4-10	4	5	1.3	10	145
DMX 7-10	7	8	2.1	10	145
DMX 7,2-16	7.2	9	2.3	16	232
DMX 8-10	8	10	2.6	10	145
DMX 9-10	9	11	2.9	10	145
DMX 12-10	12	14	3.7	10	145
DMX 13,7-16*	13.7	16	4.3	16	232
DMX 14-10	14	17	4.5	10	145
DMX 16-10	16	19	5.0	10	145
DMX 16-12	15.7	19	5.0	12	174
DMX 17-4	17	20	5.3	4	58
DMX 18-10	18	22	5.8	10	145
DMX 25-3	27	32	8.5	3	43
DMX 26-10	26	31	8.2	10	145
DMX 27-10	27	32	8.5	10	145
DMX 27-12	26.8	32	8.5	12	174
DMX 35-10	35	42	11.1	10	145
DMX 39-4	39	47	12.4	4	58

Pump type	Max. dosing capacity		Max. counter-pressure		
	50 Hz	60 Hz	US [gph]	[bar]	[psi]
	[l/h]	[l/h]			
DMX 50-10	50	60	15.8	10	145
DMX 60-3	60	72	19.0	3	43
DMX 75-4	75	90	23.8	4	58
DMX 115-3	115	138	36.5	3	43

* Operating the pump at a counterpressure of 16 bar will reduce the life of the dosing diaphragm.

Stroke volume and stroke rate

The values in the table below apply to the following conditions:

- maximum counterpressure
- dosing medium with viscosity and density similar to those of water
- flooded suction 0.5 m
- fully deaerated dosing head
- stroke length 100 %
- three-phase 400 V motor.

Pump type	Stroke volume [cm ³]	Maximum stroke rate	
		50 Hz [n/min]	60 Hz [n/min]
	DMX 4-10	2.2	29
DMX 7-10	3.8	29	35
DMX 7,2-16	1.9	63	75
DMX 8-10	2.2	63	75
DMX 9-10	4.9	29	35
DMX 12-10	6.9	29	35
DMX 13,7-16	1.9	120	144
DMX 14-10	3.8	63	75
DMX 16-10	2.2	120	144
DMX 16-12	2.2	120	144
DMX 17-4	10.4	29	35
DMX 18-10	4.9	63	75
DMX 25-3	16	29	35
DMX 26-10	6.9	63	75
DMX 27-10	3.8	120	144

Pump type	Stroke volume	Maximum stroke rate	
	[cm ³]	50 Hz	60 Hz
		[n/min]	[n/min]
DMX 27-12	3.8	120	144
DMX 35-10	4.9	120	144
DMX 39-4	10.4	63	75
DMX 50-10	6.9	120	144
DMX 60-3	16	63	75
DMX 75-4	10.4	120	144
DMX 115-3	16	120	144

Minimum counterpressure

Parameter	Value
Minimum counterpressure	1 bar at the pump outlet valve

Accuracy

The values in the table below apply to the following conditions:

- dosing medium with viscosity and density similar to those of water
- fully deaerated dosing head
- standard pump version.

Parameter	Value
Dosing flow fluctuation	± 1.5 % within the control range 1:10
Linearity deviation	± 4 % of the full-scale value. Adjustment from maximum to minimum stroke length within the control range 1:5.

9.3.4 Suction lift

The suction lift is the height difference between the medium level in the tank and the inlet valve.

Suction lift for dosing medium with viscosity similar to that of water

The values in the table below apply to the following conditions:

- Newtonian liquid
- density similar to that of water.
The values in the table are in m, they have to be decreased for dosing media with higher density.
- non-degassing and non-abrasive liquid
- stroke length: 100 %
- counterpressure: 1.5 to 3 bar

- inlet line and dosing head filled (continuous operation).

For priming with wetted valves with inlet line and dosing head not filled, the values have to be reduced by approximately 1 m.

Pump type	Max. suction lift [m]	
	50 Hz	60 Hz
DMX 4-10	4	4
DMX 7-10	4	4
DMX 7,2-16	4	4
DMX 8-10	4	4
DMX 9-10	3	3
DMX 12-10	3	3
DMX 13,7-16	4	3.5
DMX 14-10	4	4
DMX 16-10	4	3.5
DMX 16-12	4	3.5
DMX 17-4	1	1
DMX 18-10	3	3
DMX 25-3	1	1
DMX 26-10	3	3
DMX 27-10	4	3.5
DMX 27-12	4	3.5
DMX 35-10	3	2.5
DMX 39-4	1	1
DMX 50-10	3	2.5
DMX 60-3	1	1
DMX 75-4	1	0.5
DMX 115-3	1	0.5

Suction lift for dosing medium with maximum viscosity

The values in the table below apply to the following conditions:

- Newtonian liquid
- density similar to that of water
The values in the table are in m, they have to be decreased for dosing media with higher density
- non-degassing and non-abrasive liquid
- stroke length: 100 %
- counterpressure: 1.5 to 3 bar
- inlet line and dosing head filled (continuous operation).

Pump type	Max. suction lift with max. viscosity [m]*	Max. viscosity [mPas]
DMX 4-10	1	400
DMX 7-10	1	400
DMX 7,2-16	1	400
DMX 8-10	1	400
DMX 9-10	1	200
DMX 12-10	1	200
DMX 13,7-16	1	200
DMX 14-10	1	400
DMX 16-10	1	200
DMX 16-12	1	200
DMX 17-4	-1	200
DMX 18-10	1	200
DMX 25-3	-1	200
DMX 26-10	-1	200
DMX 27-10	1	200
DMX 27-12	1	200
DMX 35-10	1	100
DMX 39-4	1	100
DMX 50-10	1	100
DMX 60-3	1	100
DMX 75-4	-1	100
DMX 115-3	-1	100

* Value -1 means 1 m flooded suction

Related information

[9.2 Dosing medium](#)

9.3.5 Sound pressure level

The sound pressure level was tested according to DIN 45635-01-KL3.

Parameter	Value
Sound pressure level	± 55 dB(A)

9.4 Electrical data

Enclosure class

- The enclosure class depends on the motor variant selected and is stated on the motor nameplate.
- The specified enclosure class can only be ensured if the power supply cable is connected with the same degree of protection.
- For pumps with electronics, the specified enclosure class applies to pumps with correctly inserted plugs or screwed-on caps. The specified enclosure class can only be ensured if the sockets are protected.

Motor data

The motor data depends on the motor variant selected and is stated on the motor and pump nameplate.

Electrical data of pump electronics

For pumps equipped with an AR control unit, VFD or Servomotor, separate installation and operating instructions including the electrical data of the electronics are supplied with the pump.

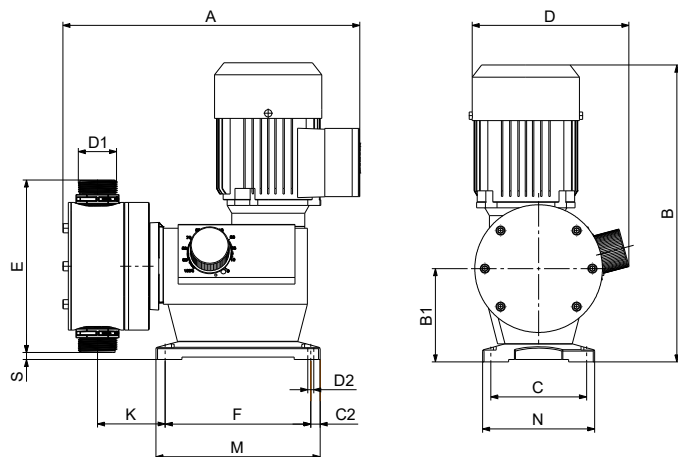
Related information

[11.1.6 Technical data of the electronic unit for optical sensor](#)

[11.2.5 Technical data of DMX pumps with VFD](#)

9.5 Dimensions and weights

9.5.1 Dimensions DMX 221



All dimensions are in mm, except for the thread designations.

Pump type	B	B1	C	C2	D	D2	F	M	N
All	319	102.5	105	10.5	175	6.5	159	180	123

Pump type	A	D1	E	K	S
DMX 4-10 / DMX 7-10 / DMX 7,2-16 / DMX 8-10 / DMX 9-10 / DMX 12-10 / DMX 13,7-16 / DMX 14-10 / DMX 16-10 / DMX 16-12	275	G 5/8	153	32	26
DMX 17-4	323	G 1 1/4	178	64	15
DMX 18-10	275	G 5/8	153	32	26
DMX 25-3	330	G 1 1/4	188	80	9
DMX 26-10 / DMX 27-10 / DMX 27-12 / DMX 35-10	275	G 5/8	153	32	26
DMX 39-4	323	G 1 1/4	178	64	15
DMX 50-10	275	G 5/8	153	32	26
DMX 60-3	330	G 1 1/4	188	80	9
DMX 75-4	323	G 1 1/4	178	64	15
DMX 115-3	330	G 1 1/4	188	80	9

TM073715

9.5.2 Weights DMX 221

The values in the table below apply to pumps without AR control unit, Servomotor or VFD.

Pump type	Weight [kg]	
	Plastic dosing head	Stainless steel dosing head
DMX 4-10	5	7
DMX 7-10	5	7
DMX 7,2-16	5	7
DMX 8-10	5	7
DMX 9-10	5	7
DMX 12-10	5	7
DMX 13,7-16	5	7
DMX 14-10	5	7
DMX 16-10	5	7
DMX 16-12	5	7
DMX 17-4	7.5	12
DMX 18-10	5	7
DMX 25-3	8	13
DMX 26-10	5	7
DMX 27-10	5	7
DMX 27-12	5	7
DMX 35-10	5	7
DMX 39-4	7.5	12
DMX 50-10	5	7
DMX 60-3	8	13
DMX 75-4	7.5	12
DMX 115-3	8	13

9.6 Dosing curves

The dosing curves are approximated curves showing the dependency between pump performance, counterpressure and stroke length. The stated values apply to the following conditions:

- Newtonian liquid
- density similar to that of water
- inlet line with foot valve
- flooded suction, 0.5 m
- zero point of pump for specified pressure
- standard pump version.

Abbreviation	Description
Q	Dosing flow
Q ₀	Zero point of the pump.
Q [l/h]	Dosing flow in litres per hour
h	Stroke length
h [%]	Stroke length in percent of maximum stroke length
Hz	Frequency of the alternating current power supply in Hz = 1/s
bar	Counterpressure at the pump outlet valve in bar

Related information

[A.1. Curves](#)

10. Disposing of the product

10.1 Disposing of hazardous or toxic materials

WARNING

Chemical hazard

Death or serious personal injury

- Observe the material safety data sheet of the dosing medium.
- Wear protective clothing when working on the dosing head, connections or lines.
- Rinse the parts that have been in contact with the dosing medium.
- Collect and dispose of all chemicals in a way that is not harmful to persons or the environment.



The materials used in DMX pumps do not pose any health risk to the person handling them. To identify the specific materials, check the type key on the product nameplate and read the explanation in the section Type key.

Observe also the product recycling page on <http://www.grundfos.com/products/product-sustainability/dmx.html>

Related information

[5.3.2 Type key](#)

10.2 Disposing of the product

This product or parts of it must be disposed of in an environmentally sound way.

1. Use the public or private waste collection service.
2. If this is not possible, contact the nearest Grundfos company or service workshop.



The crossed-out wheeled bin symbol on a product means that it must be disposed of separately from household waste. When a product marked with this symbol reaches its end of life, take it to a collection point designated by the local waste disposal authorities. The separate collection and recycling of such products will help protect the environment and human health.

See also end-of-life information at www.grundfos.com/product-recycling.

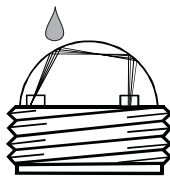
Related information

[6. Taking the product out of operation](#)

11. Pump options and variants

11.1 Diaphragm leakage sensor

Pumps prepared for diaphragm leakage sensor have a special dosing head flange with an optical sensor. The sensor contains an infrared transmitter and an infrared receiver.



In case of a diaphragm leakage, dosing medium will seep out into the dosing head flange and the light refraction in the optical sensor will change. The sensor produces a signal that can trigger an alarm device or switch off the pump via one of the following devices:

- AR control unit
- electronic unit for optical sensor.

Diaphragm leakage sensor with AR control unit



Observe the installation and operating instructions for the AR control unit.

TM067302

11.1.1 Function of the electronic unit for optical sensor

Relay outputs

The electronic unit for optical sensor has two relay outputs:

- Relay 1 (C1): potential-loaded output, AC mains voltage, 230 V or 115 V, depending on the model
C1 can be used to switch off the pump in case of a diaphragm leakage.
- Relay 2 (C2): potential-free output
C2 can be used to trigger an alarm device in case of diaphragm leakage.

LEDs

The electronic unit for optical sensor has two LEDs.

- Green LED:
 - The green LED indicates that the system is ready for operation.
 - The green LED is on when the sensor is connected to the electronic unit. If the LED is off, the sensor is defective or wrongly connected.
 - The green LED stays on when the red LED is on.
- Red LED:
 - The red LED indicates that a diaphragm leakage has been detected.

11.1.2 Mounting the electronic unit for optical sensor

Have a screwdriver for the plastic screws in the cover of the electronic unit available. You also need four 4.5 x 35 mm screws and a suitable screwdriver for fastening the unit to the wall. The four screws are not included in the scope of delivery.

The diaphragm leakage sensor with electronic unit for optical sensor is supplied with a 5 m cable. Mount the electronic unit on the wall close to the pump.

1. Drill four Ø6 holes according to the drilling scheme.
2. Unscrew the plastic screws in the cover of the electronic unit.
3. Remove the cover with the plastic screws from the electronic unit.
4. Mount the electronic unit on the wall by means of the four screws.
5. Tighten the screws gently in order not to damage the electronic unit.
6. Fit the cover to the electronic unit and fasten it with the plastic screws.

Related information

[11.1.6.1 Dimensional sketch of the electronic unit for optical sensor](#)

11.1.3 Electrical connection

DANGER

Electric shock

Death or serious personal injury



- All electrical connections must be carried out by qualified persons.
- Switch off the power supply before making any electrical connections.

- Make sure the power supply specified on the nameplate matches the local conditions.
- Provide relay outputs on site with appropriate backup fuses.
- To ensure electromagnetic compatibility (EMC), the input cables and current output cables must be screened.
- Route input cables, current output cables and power supply cables in separate ducts.

11.1.3.1 Connecting the diaphragm leakage sensor electrically with the AR control unit

If the pump is equipped with an AR control unit, the diaphragm leakage sensor has a 1 m cable with an M12 plug.



Observe the installation and operating instructions for the AR control unit.

Insert the plug of the diaphragm leakage sensor into socket 1 of the AR control unit.

Related information

[11.1.3 Electrical connection](#)

11.1.3.2 Connecting the diaphragm leakage sensor electrically with the electronic unit for optical sensor

Observe section Electrical connection.

If the diaphragm leakage sensor is used with an electronic unit for optical sensor, the diaphragm leakage sensor has a 3 m cable.

Connecting the diaphragm leakage sensor to the electronic unit:

1. Unscrew the plastic screws in the cover of the electronic unit.
2. Remove the cover with the plastic screws from the electronic unit.
3. Lead the sensor cable through cable gland on the right side of the electronic unit.
4. Connect the cable screen at one end to PE.
5. Connect the cable wires to the sensor connection T2 as listed below, and tighten the screws.
 - a. Connect the green wire to GN.
 - b. Connect the yellow wire to YE.
 - c. Connect the white wire to WH.
6. Tighten the cable gland.

Connecting the relay outputs:

7. Connect the contact outputs C1 and C2 according to the individual needs.



DANGER **Electric shock**

Death or serious personal injury

- Switch off the power supply before connecting contact 1.

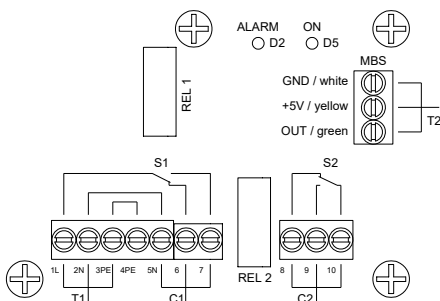
The relay output connection depends on the application and the connected actuators.

If required, mount an additional cable gland in the bottom of the electronic unit.

8. Lead the cables through the cable glands on the right side of the bottom of the electronic unit.
9. Connect the wires to contact output C1 and C2 and tighten the screws.
See the wiring diagram below.
10. Tighten the cable gland.

Connecting the power supply:

11. Lead the cable through the left cable gland in the bottom of the electronic unit.
12. Connect the power supply to T1.
See the wiring diagram below.



Wiring diagram

Pos. Description

T1	Power connection	Terminals 1, 2, 3: 230 V AC / 115 V AC
C1	Contact output 1	Terminals 5, 6, 7: potential-loaded, 230 V AC / 115 V AC
S1	Relay 1	
C2	Contact output 2	Terminals 8, 9, 10: potential-free
S2	Relay 2	
T2	Sensor connection	Terminals GN (OUT / green), YE (+5 V / yellow), WH (GND / white)
D2	Alarm LED (red)	The LED lights up if a diaphragm leakage is detected.
D5	Sensor LED (red/green)	The LED shows green light when the sensor is connected.

13. Tighten the cable gland.
14. Fit the cover to the electronic unit and fasten it with the plastic screws.

Related information

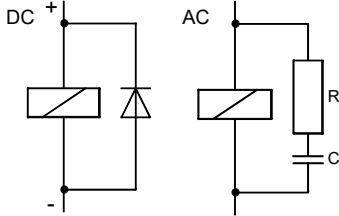
11.1.3 Electrical connection

TMO64677

11.1.3.3 Interference suppression of inductive loads

- Inductive loads on the electronic unit for optical sensor will damage relays and contactors.
- Inductive loads on the electronic unit can be eliminated by means of a suppressor circuit as the one described below.

Suppressor circuit DC or AC



- With DC voltage, connect a free-wheeling diode parallel to the relay or the contactor.
- With AC voltage, choose capacitor and resistor corresponding to the input current:

Current up to ...	Capacitor (C)	Resistor (R)
60 mA	10 mF, 275 V	390 Ω, 2 W
70 mA	47 mF, 275 V	22 Ω, 2 W
150 mA	100 mF, 275 V	47 Ω, 2 W
1.0 A	220 mF, 275 V	47 Ω, 2 W

TM06-4676

11.1.4 Checking the diaphragm leakage sensor

It depends on the electronic unit used, how the signals from a connected diaphragm leakage sensor are indicated.

- If you use an AR control unit, observe the installation and operating instructions for the AR control unit.
- If you use an electronic unit for optical sensor, observe section Function of the electronic unit for optical sensor.

1. Remove the diaphragm leakage sensor from the flange.
2. Check that the sensor is in good condition. Clean it with a cloth.
3. Dip the sensor into water.

- The electronic unit indicates that the diaphragm is leaky:

Proceed with the functional check.

- The electronic unit does not indicate that the diaphragm is leaky or that a sensor is connected:

The sensor or the electronic unit is defective:

- If the sensor is defective, replace it with a new one.
- If the electronic unit is defective, call Grundfos service.

4. Dry the sensor carefully.

- The electronic unit indicates that a sensor is connected:

Screw the sensor into the hole of the dosing head flange (M14 x 1.5).

The sensor and the electronic unit are ready for operation.

- The electronic unit does not indicate that a sensor is connected:

The sensor or the electronic unit is defective:

- If the sensor is defective, replace it with a new one.
- If the electronic unit is defective, call Grundfos service.

Related information

[11.1.1 Function of the electronic unit for optical sensor](#)

11.1.5 Maintaining the diaphragm leakage sensor



DANGER
Electric shock

Death or serious personal injury

- Do not work on the electronic device of the diaphragm leakage sensor.

1. Check the diaphragm leakage sensor.
2. If the sensor is defective, replace it with a new one.
3. If the electronic unit is defective, call Grundfos service.

The electronic unit is maintenance-free.

Related information

[11.1.4 Checking the diaphragm leakage sensor](#)

11.1.6 Technical data of the electronic unit for optical sensor

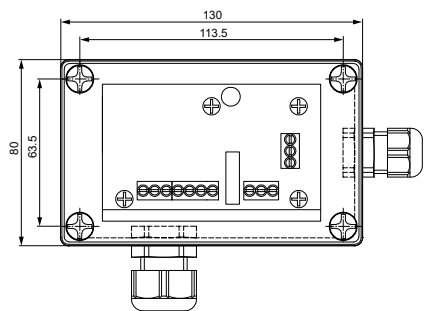
Parameter	Value
Maximum mains voltage deviation	± 10 %
Contact load	250 V / 6 A, maximum 550 VA
Power consumption	1.15 VA
Enclosure class	IP65
Permissible ambient temperature	0-40 °C

Models

Product number	Mains voltage
96725701	230 V, AC
91835310	115 V, AC

11.1.6.1 Dimensional sketch of the electronic unit for optical sensor

Dimensions and drilling scheme for the electronic unit for optical sensor. All measurements in [mm].



TM065895

11.2 Pumps with VFD



Observe the installation and operating instructions for the pump and the supplier manual "BU 0180" for the VFD on <https://www.nord.com>. Pay attention to the special VFD parameter settings for DMX.

VFD variants used with DMX pumps

The supplier offers a wide range of VFD variants. DMX pumps are available with the following VFD variants:

- VFD mounted on the pump motor
- VFD with IP66 housing
- VFD with potentiometer
- VFD without braking resistor (BW)
- VFD without ATEX approval.

11.2.1 Identification of pumps with VFD

Pumps with motors with PTC sensor and VFD are available in different variants which are shown on the nameplate and explained in the type key. The last two letters of the type designation indicate the VFD variant.

Related information

[5.3.2 Type key](#)

11.2.2 Connecting the VFD to the power supply

CAUTION Automatic startup

Minor or moderate personal injury



- Make sure the pump has been correctly installed and is ready to be started before you switch on the power supply.



Read the supplier manual "BU 0180" for the VFD supplied with the product.

The VFD is connected to the pump on delivery, so you only need to connect the power supply.

As soon as the power supply is connected to the VFD and switched on, the pump can automatically start operating depending on the potentiometer setting. Make sure the power supply to the VFD is only switched on when the pump is ready for startup and operation.

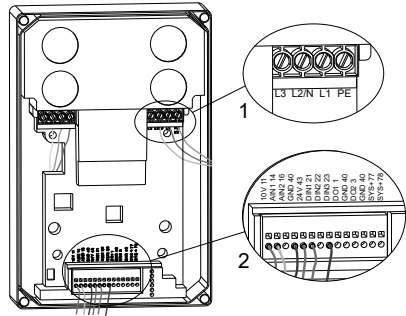
There is no need to take special safety measures on the mains input side of the frequency converter. We advise you to use ordinary mains fuses and a main switch or a circuit breaker.

Isolate the connector from the power supply simultaneously for all the poles (L1/L2/L2 or L1/N).

Requirements for the power cable cross section:

- 0.2 - 4/6 mm² rigid / flexible cable AWG 24-10

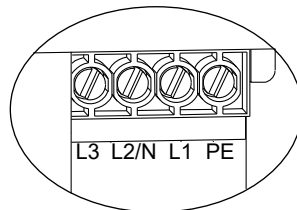
- To loop the mains voltage up to a cable cross section of 2 × 2.5 mm², use double-wire end sleeves.



Electrical connection of the VFD

Pos.	Description
1	VFD mains connection
2	VFD terminals

1. Switch off the power supply.
2. Unscrew the screws of the front cover of the VFD power unit and remove the front cover.
3. Lead the power supply cable through a cable gland.
4. Strip the cable sheath to a length of approx. 3-5 cm and the wires to a length of 7 mm.
5. Connect the wires to the power supply terminals according to the wiring diagrams printed in the VFD.
 - Single-phase VFD variant: connect phase line (L1) to L1, neutral line (N) to L2/N, protective earth (PE) to PE.
 - Three-phase VFD variant: connect phase lines (L1, L2, L3) to L1, L2/N and L3, protective earth (PE) to PE.



Mains connection of the VFD

Tighten the screws with 0.5 - 0.6 Nm.

6. Tighten the cable gland.
7. Refit the front cover of the VFD power unit and tighten the screws.

Tighten the screws with $3.5 \text{ Nm} \pm 20 \%$.

Related information

3.1 Preparing the pump for startup

11.2.5 Technical data of DMX pumps with VFD

11.2.3 Operating modes



Read the supplier manual "BU 0180" for the VFD supplied with the product.

The selection of the operating mode (manual or analog) can be made via a central control unit.

- If analog input 1 (AIN 1) is activated, manual mode is selected. The VFD is operated via the potentiometer.
- If analog input 2 (AIN 2) is activated, analog mode is selected. The VFD is operated via analog signal 4-20 mA.

Permanent setting of operating mode (VFD variant A)

If there is no central control unit, the operating mode can be set permanently to manual or analog. The VFD is default set to manual operation via the potentiometer.

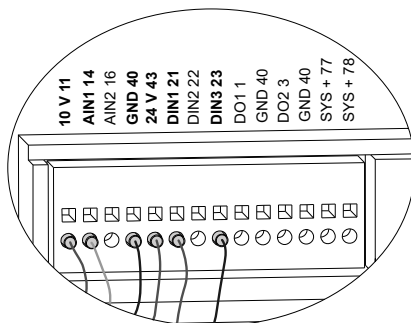
Manual operation via the integrated potentiometer (default)

- Terminals 43 and 22 are connected with a jumper.
 - Digital input 2 is activated.
 - AIN 1, which is assigned to the potentiometer, is activated.
- Speed control is only possible via the potentiometer.

For 4-20 mA analog operation, make the settings described below.

Changing operating mode to analog operation (optional)

- Disconnect the jumper from terminal 22 and connect it to terminal 23.
 - Digital input 3 is activated.
 - AIN 2 is activated.
- Signal input is made via the terminals 40 (-) and 16 (+).



TM067474

VFD terminals

Operating modes for other VFD variants (B - E)



Read the supplier manual "BU 0180" for the VFD when setting the operating mode for VFD variants B-E.

11.2.4 Special VFD parameter settings for DMX

- Some parameters have been adapted to DMX pumps. These parameters differ from the default settings mentioned in the supplier manual for the VFD.
- Do not change the special parameter settings of the VFD for operation with DMX pumps.
- When resetting the VFD to default settings, the special parameter settings for DMX will be overwritten. The special parameters must be set again.

Mandatory settings

- Do not set P506, "automatic fault acknowledgement", to 6, "always". In case of an active error, such as leakage to earth or short circuit, the VFD will restart continuously and cause damage to the system because P428 is set to 1, "on".
- Do not change the following settings as this may lead to malfunction of the DMX pump with VFD.

Basic parameters

Code	Parameter	Value for DMX
P102	Startup time	5 s
P105	Maximum frequency	100 Hz

Control terminals

Code	Index	Parameter	Value for DMX
P400	-02	Setpoint input function. Analog input 2 (AIN 2)	01 = Setpoint frequency
P401	-01	Analog mode ON. Analog input 1 (AIN 1)	2 = 0-10 V, monitored
P401	-02	Analog mode ON. AIN 2	2 = 0-10 V, monitored
P402	-01	Adjustment: 0 % AIN 1	1.36 V ¹
P402	-02	Adjustment: 0 % AIN 2	1 V
P403	-02	Adjustment: 100 % AIN 2	5 V
P420	-01	Digital input function. Digital input 1 (DIN 1)	02 = Enable left (left-handed rotation)
P420	-02	Digital input function. Digital input 2 (DIN 2)	19 = Setpoint 1 on/off
P420	-03	Digital input function. Digital input 3 (DIN 3)	20 = Setpoint 2 on/off
P428		Automatic starting after power supply has been switched OFF	1 = On (enable with level)

¹ The minimum frequency for the VFD is set to approx. 5 Hz.

Extra functions

Code	Parameter	Value for DMX
P504	Pulse frequency	8 kHz
P540	Mode phase sequence	3 = only counter-clockwise (CCW) direction of rotation.

Modifications of other parameters and adaptation of the inputs and outputs can be made by means of the optional "parameter box" or the "NordCon" software. Read the supplier manual "BU 0180" for the VFD provided with the product.

11.2.5 Technical data of DMX pumps with VFD**General technical data**

- Observe the values stated on the nameplates and in the installation and operating instructions.
- For technical data, ambient conditions and operating conditions, see section Technical data.

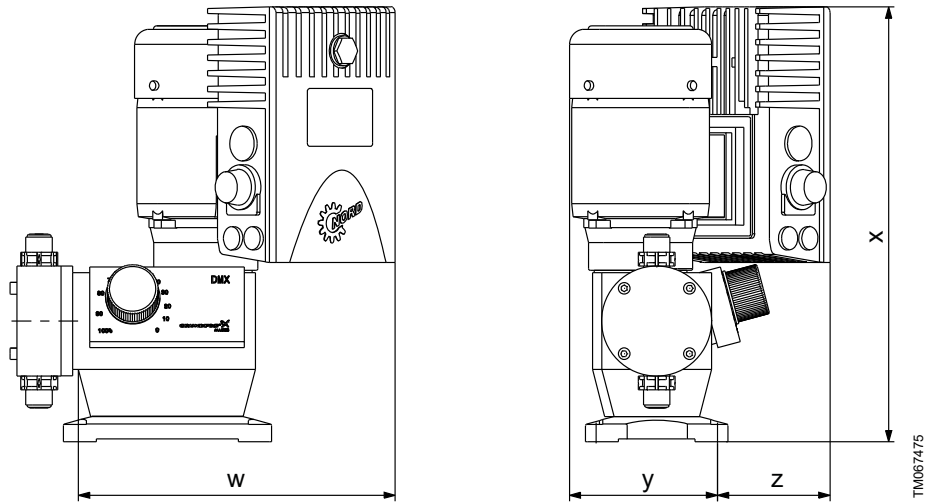
Electrical data of the VFD

Parameter	Value
Type of current	1 AC (single-phase)
Mains voltage	200-240 V ± 10 %
Mains frequency	47-63 Hz
VFD power	0.25 kW
Motor power	0.18 kW

For electrical data, such as current consumption, see the nameplates of the motor and the VFD.

11.2.5.1 Dimensional sketch of DMX pumps with VFD

For all other dimensions, see section "Dimensional sketch".



Pump type	x	w	y	z
	[mm]	[mm]	[mm]	[mm]
all	376	276	128	97

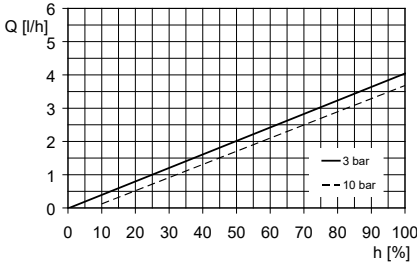
Related information

[9.5.1 Dimensions DMX 221](#)

Appendix A

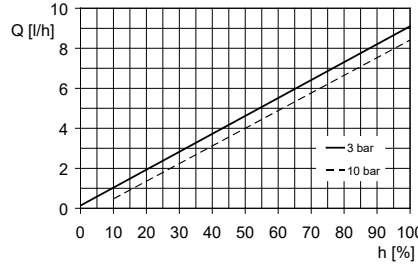
A.1. Curves

DMX 4-10 (50 Hz) $Q_0 = 3 \text{ bar}$



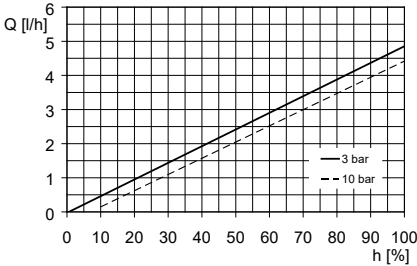
TM036315

DMX 7-10 (60 Hz) $Q_0 = 3 \text{ bar}$



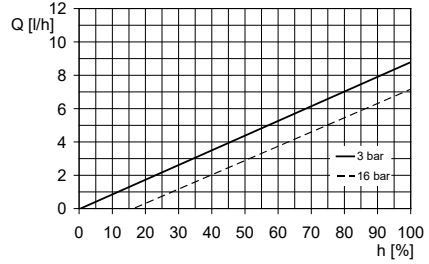
TM036318

DMX 4-10 (60 Hz) $Q_0 = 3 \text{ bar}$



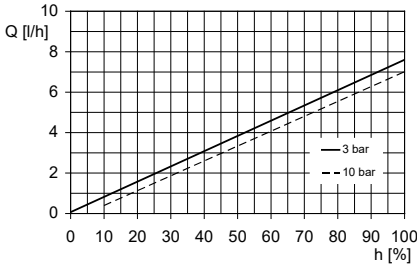
TM036316

DMX 7,2-16 (50 Hz) $Q_0 = 3 \text{ bar}$



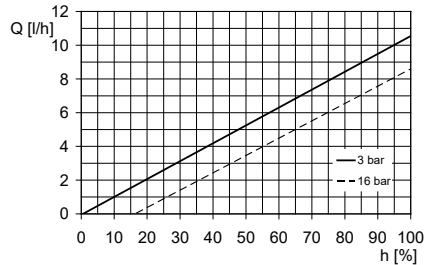
TM036319

DMX 7-10 (50 Hz) $Q_0 = 3 \text{ bar}$



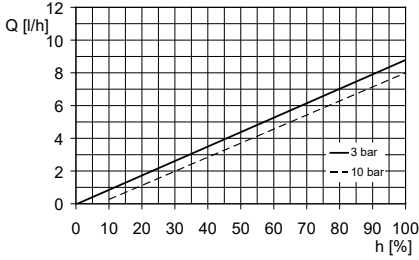
TM036317

DMX 7,2-16 (60 Hz) $Q_0 = 3 \text{ bar}$



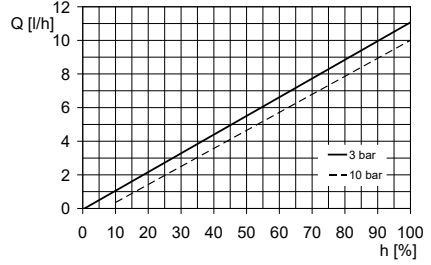
TM036320

DMX 8-10 (50 Hz) $Q_0 = 3$ bar



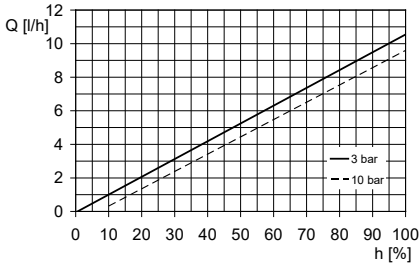
TM036329

DMX 9-10 (60 Hz) $Q_0 = 3$ bar



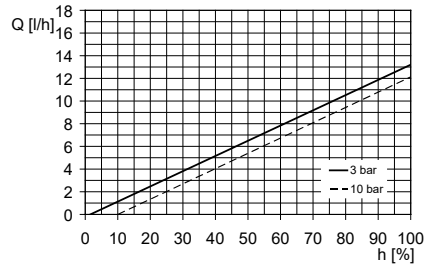
TM036322

DMX 8-10 (60 Hz) $Q_0 = 3$ bar



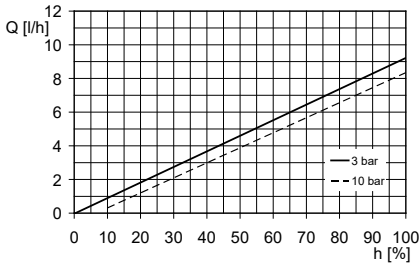
TM036330

DMX 12-10 (50 Hz) $Q_0 = 3$ bar



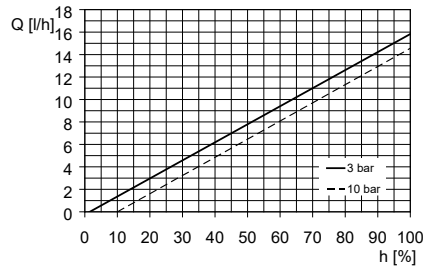
TM036323

DMX 9-10 (50 Hz) $Q_0 = 3$ bar



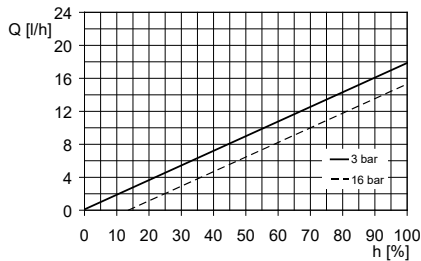
TM036321

DMX 12-10 (60 Hz) $Q_0 = 3$ bar



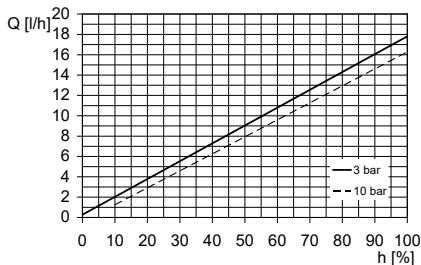
TM036324

DMX 13,7-16 (50 Hz) $Q_0 = 3$ bar



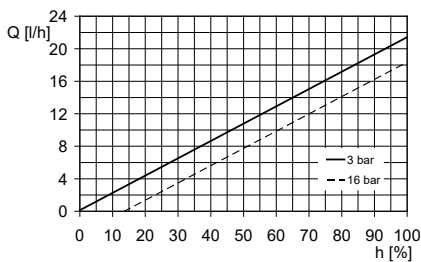
TM036331

DMX 14-10 (60 Hz) $Q_0 = 3$ bar



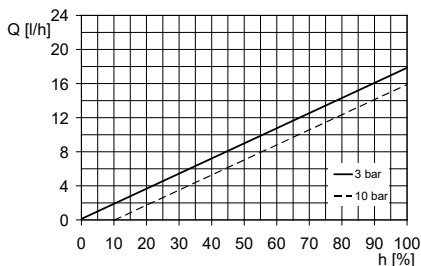
TM036334

DMX 13,7-16 (60 Hz) $Q_0 = 3$ bar



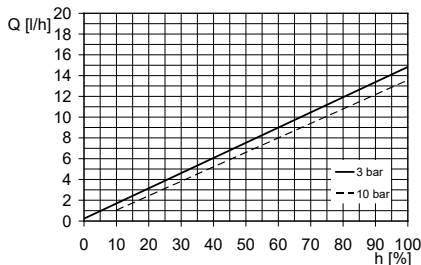
TM036332

DMX 16-10 (50 Hz) $Q_0 = 3$ bar



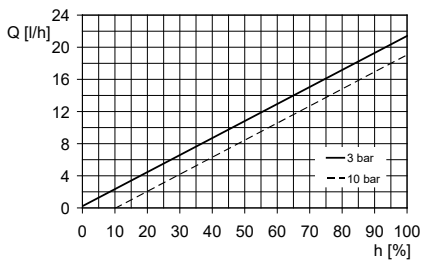
TM036343

DMX 14-10 (50 Hz) $Q_0 = 3$ bar



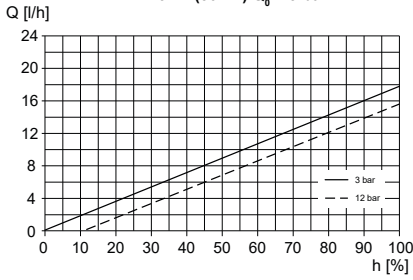
TM036333

DMX 16-10 (60 Hz) $Q_0 = 3$ bar



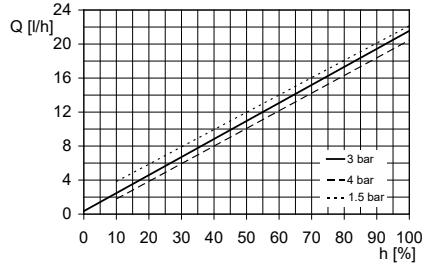
TM036344

DMX 16-12 (50 Hz) $Q_0 = 3$ bar



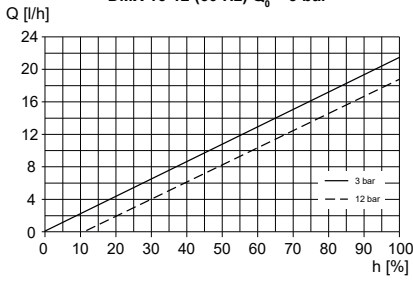
TM068166

DMX 17-4 (60 Hz) $Q_0 = 3$ bar



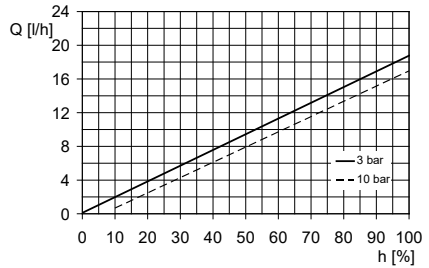
TM036326

DMX 16-12 (60 Hz) $Q_0 = 3$ bar



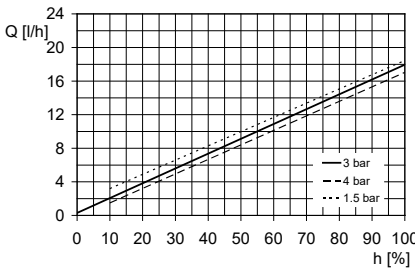
TM068167

DMX 18-10 (50 Hz) $Q_0 = 3$ bar



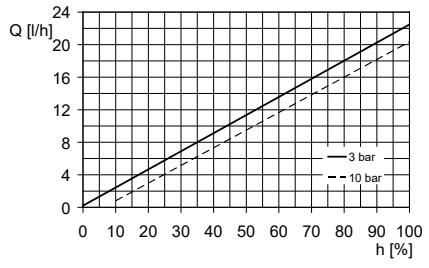
TM036335

DMX 17-4 (50 Hz) $Q_0 = 3$ bar



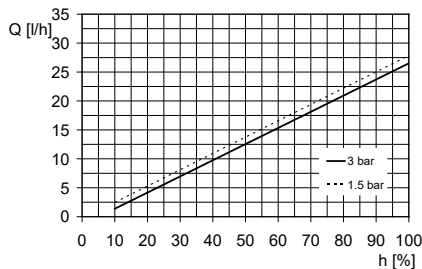
TM036325

DMX 18-10 (60 Hz) $Q_0 = 3$ bar



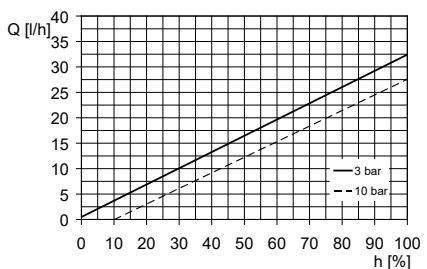
TM036336

DMX 25-3 (50 Hz) $Q_0 = 3$ bar



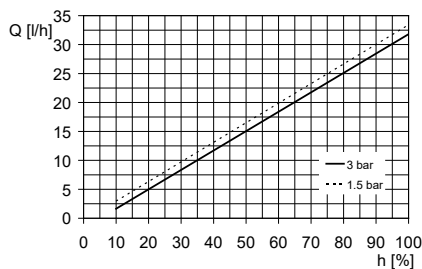
TM036327

DMX 26-10 (60 Hz) $Q_0 = 3$ bar



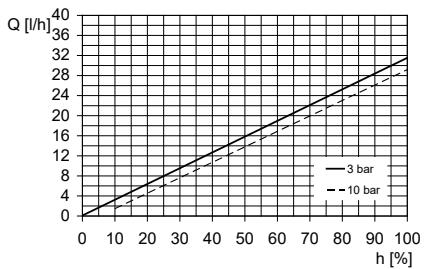
TM036338

DMX 25-3 (60 Hz) $Q_0 = 3$ bar



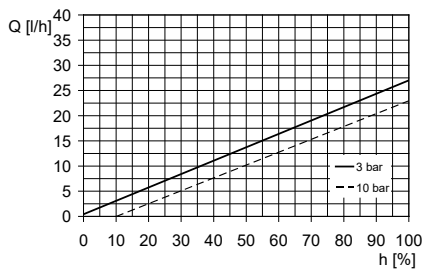
TM036328

DMX 27-10 (50 Hz) $Q_0 = 3$ bar



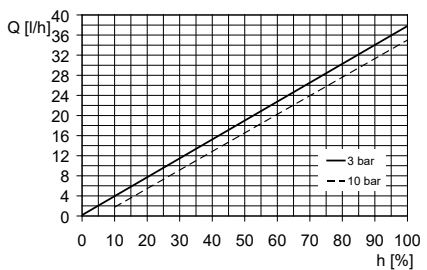
TM036345

DMX 26-10 (50 Hz) $Q_0 = 3$ bar



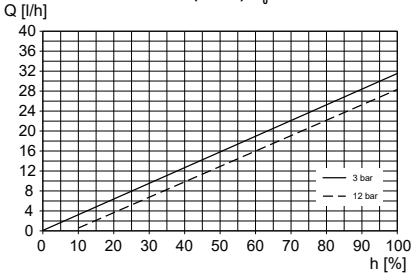
TM036337

DMX 27-10 (60 Hz) $Q_0 = 3$ bar



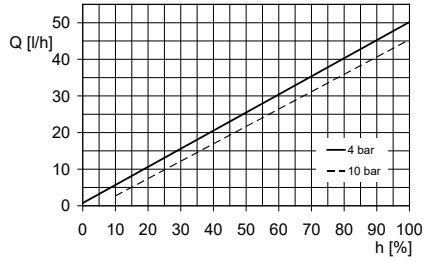
TM036346

DMX 27-12 (50 Hz) $Q_0 = 3$ bar



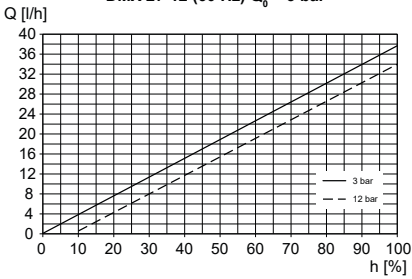
TM068163

DMX 35-10 (60 Hz) $Q_0 = 4$ bar



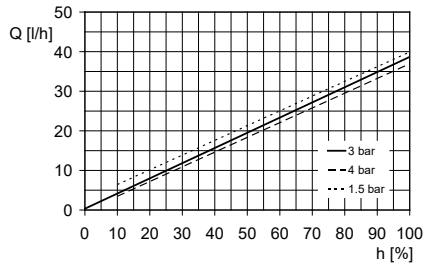
TM036348

DMX 27-12 (60 Hz) $Q_0 = 3$ bar



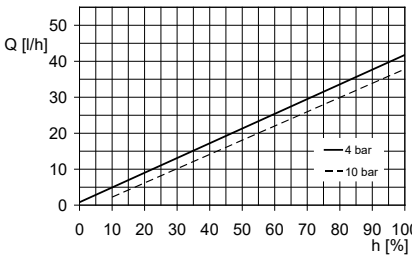
TM068164

DMX 39-4 (50 Hz) $Q_0 = 3$ bar



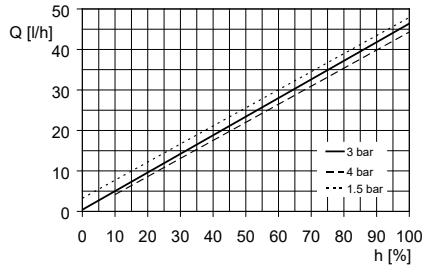
TM036339

DMX 35-10 (50 Hz) $Q_0 = 4$ bar



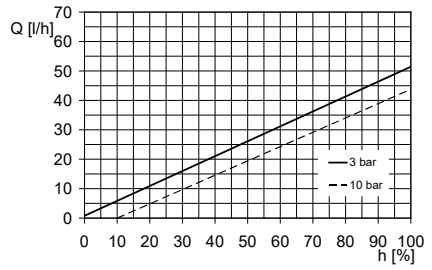
TM036347

DMX 39-4 (60 Hz) $Q_0 = 3$ bar



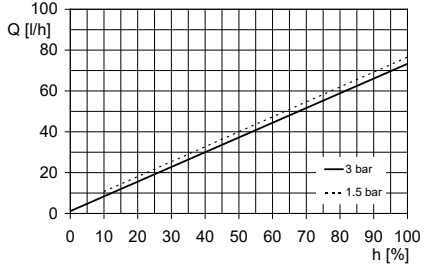
TM036340

DMX 50-10 (50 Hz) $Q_0 = 3$ bar



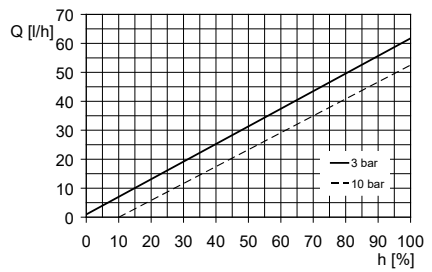
TM036349

DMX 60-3 (60 Hz) $Q_0 = 3$ bar



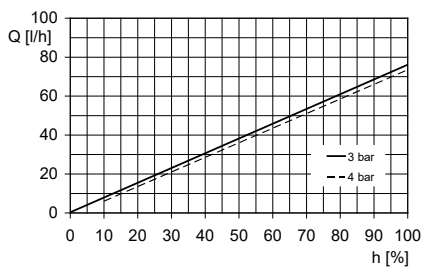
TM036342

DMX 50-10 (60 Hz) $Q_0 = 3$ bar



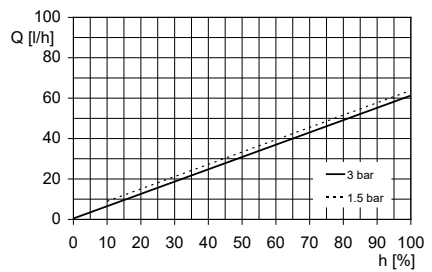
TM036350

DMX 75-4 (50 Hz) $Q_0 = 3$ bar



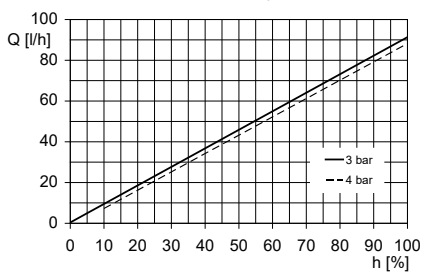
TM036351

DMX 60-3 (50 Hz) $Q_0 = 3$ bar



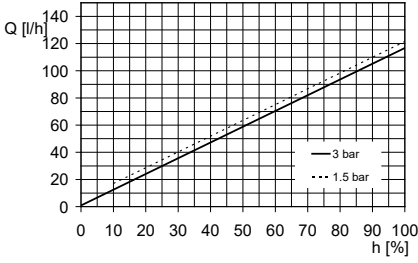
TM036341

DMX 75-4 (60 Hz) $Q_0 = 3$ bar



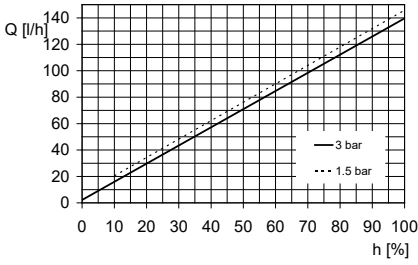
TM036352

DMX 115-3 (50 Hz) $Q_0 = 3$ bar



TM/036353

DMX 115-3 (60 Hz) $Q_0 = 3$ bar



TM/036354

Appendix B

B.1. Safety declaration

- Please copy, fill in and sign this sheet and attach it to the product returned for service.
- Fill in this document using English or German language.

Fault description

- Please make a circle around the damaged part.
- In the case of an electrical or functional fault, please mark the cabinet.
- Please give a short description of the fault and indicate if the diaphragm is damaged:



TM07.4678

Declaration

We hereby declare that this product is free from hazardous chemicals, biological and radioactive substances:

Type designation (see nameplate):
Product number:

The product was used with the following dosing medium:

No dosing medium or water:
A chemical solution, name:

Date and signature:

Company stamp:

Argentina

Bombas GRUNDFOS de Argentina S.A.
Ruta Panamericana km. 37.500 Industrias
1610 - Garin Pcia. de B.A.
Tel.: +54-3327 414 444
Fax: +54-3327 45 3190

Australia

GRUNDFOS Pumps Pty. Ltd.
P.O. Box 2040
Regency Park
South Australia 5942
Tel.: +61-8-8461-4611
Fax: +61-8-8340-0155

Austria

GRUNDFOS Pumpen Vertrieb
Ges.m.b.H.
Grundfosstraße 2
A-5082 Grödig/Salzburg
Tel.: +43-6246-883-0
Fax: +43-6246-883-30

Belgium

N.V. GRUNDFOS Bellux S.A.
Boomssesteenweg 81-83
B-2630 Aartselaar
Tel.: +32-3-870 7300
Fax: +32-3-870 7301

Belarus

Представительство ГРУНДФОС в
Минске
220125, Минск
ул. Шафарнянская, 11, оф. 56, БЦ
«Порт»
Тел.: +375 17 397 397 3
+375 17 397 397 4
Факс: +375 17 397 397 1
E-mail: minsk@grundfos.com

Bosnia and Herzegovina

GRUNDFOS Sarajevo
Zmaja od Bosne 7-7A
BiH-71000 Sarajevo
Tel.: +387 33 592 480
Fax: +387 33 590 465
www.ba.grundfos.com
E-mail: grundfos@bih.net.ba

Brazil

BOMBAS GRUNDFOS DO BRASIL
Av. Humberto de Alencar Castelo
Branco, 630
CEP 09850 - 300
São Bernardo do Campo - SP
Tel.: +55-11 4393 5533
Fax: +55-11 4343 5015

Bulgaria

Grundfos Bulgaria EOOD
Slatina District
Iztocna Tangenta street no. 100
BG - 1592 Sofia
Tel.: +359 2 49 22 200
Fax: +359 2 49 22 201
E-mail: bulgaria@grundfos.bg

Canada

GRUNDFOS Canada inc.
2941 Brighton Road
Oakville, Ontario
L6H 6C9
Tel.: +1-905 829 9533
Fax: +1-905 829 9512

China

GRUNDFOS Pumps (Shanghai) Co. Ltd.
10F The Hub, No. 33 Suhong Road
Minhang District
Shanghai 201106 PRC
Tel.: +86 21 612 252 22
Fax: +86 21 612 253 33

Columbia

GRUNDFOS Colombia S.A.S.
Km 1.5 via Siberia-Cota Conj. Potrero
Chico,
Parque Empresarial Arcos de Cota Bod.
1A.
Cota, Cundinamarca
Tel.: +57(1)-2913444
Fax: +57(1)-8764586

Croatia

GRUNDFOS CROATIA d.o.o.
Buzinski prilaz 38, Buzin
HR-10010 Zagreb
Tel.: +385 1 6595 400
Fax: +385 1 6595 499
www.hr.grundfos.com

Czech Republic

GRUNDFOS Sales Czechia and Slovakia
s.r.o.
Čajkovského 21
779 00 Olomouc
Tel.: +420-585-716 111

Denmark

GRUNDFOS DK A/S
Martin Bachs Vej 3
DK-8850 Bjerringbro
Tel.: +45-87 50 50 50
Fax: +45-87 50 51 51
E-mail: info_GDK@grundfos.com
www.grundfos.com/DK

Estonia

GRUNDFOS Pumps Eesti OÜ
Peterburi tee 92G
11415 Tallinn
Tel.: + 372 606 1690
Fax: + 372 606 1691

Finland

OY GRUNDFOS Pumput AB
Trukkikuja 1
FI-01360 Vantaa
Tel.: +358-(0) 207 889 500

France

Pompes GRUNDFOS Distribution S.A.
Parc d'Activités de Chesnes
57, rue de Malacombe
F-38290 St. Quentin Fallavier (Lyon)
Tel.: +33-4 74 82 15 15
Fax: +33-4 74 94 10 51

Germany

GRUNDFOS GMBH
Schlüterstr. 33
40699 Erkrath
Tel.: +49-(0) 211 929 69-0
Fax: +49-(0) 211 929 69-3799
E-mail: infoservice@grundfos.de
Service in Deutschland:
kundendienst@grundfos.de

Greece

GRUNDFOS Hellas A.E.B.E.
20th km. Athinon-Markopoulou Av.
P.O. Box 71
GR-19002 Peania
Tel.: +0030-210-66 83 400
Fax: +0030-210-66 46 273

Hong Kong

GRUNDFOS Pumps (Hong Kong) Ltd.
Unit 1, Ground floor, Siu Wai industrial
Centre
29-33 Wing Hong Street & 68 King Lam
Street, Cheung Sha Wan
Kowloon
Tel.: +852-27861706 / 27861741
Fax: +852-27858664

Hungary

GRUNDFOS Hungária Kft.
Tópark u. 8
H-2045 Törökbalint
Tel.: +36-23 511 110
Fax: +36-23 511 111

India

GRUNDFOS Pumps india Private Limited
118 Old Mahabalipuram Road
Thoraiakkam
Chennai 600 097
Tel.: +91-44 2496 6800

Indonesia

PT GRUNDFOS Pompa
Graha Intirub Lt. 2 & 3
Jln. Cililitan Besar No.454, Makasar,
Jakarta Timur
ID-Jakarta 13650
Tel.: +62 21-469-51900
Fax: +62 21-460 6910 / 460 6901

Ireland

GRUNDFOS (Ireland) Ltd.
Unit A, Merrywell Business Park
Ballymount Road Lower
Dublin 12
Tel.: +353-1-4089 800
Fax: +353-1-4089 830

Italy

GRUNDFOS Pompe Italia S.r.l.
Via Gran Sasso 4
I-20060 Truccazzano (Milano)
Tel.: +39-02-95838112
Fax: +39-02-95309290 / 95838461

Japan

GRUNDFOS Pumps K.K.
1-2-3, Shin-Miyakoda, Kita-ku
Hamamatsu
431-2103 Japan
Tel.: +81 53 428 4760
Fax: +81 53 428 5005

Korea

GRUNDFOS Pumps Korea Ltd.
6th Floor, Aju Building 679-5
Yeoksam-dong, Kangnam-ku, 135-916
Seoul, Korea
Tel.: +82-2-5317 600
Fax: +82-2-5633 725

Latvia

SIA GRUNDFOS Pumps Latvia
 Deglava biznesa centrs
 Augusta Deglava ielā 60
 LV-1035, Rīga,
 Tel.: + 371 714 9640, 7 149 641
 Fax: + 371 914 9646

Lithuania

GRUNDFOS Pumps UAB
 Smolensko g. 6
 LT-03201 Vilnius
 Tel.: + 370 52 395 430
 Fax: + 370 52 395 431

Malaysia

GRUNDFOS Pumps Sdn. Bhd.
 7 Jalan Peguam U1/25
 Glenmarie Industrial Park
 40150 Shah Alam, Selangor
 Tel.: +60-3-5569 2922
 Fax: +60-3-5569 2866

Mexico

Bombas GRUNDFOS de México
 S.A. de C.V.
 Boulevard TLC No. 15
 Parque industrial Stiva Aeropuerto
 Apodaca, N.L. 66600
 Tel.: +52-81-8144 4000
 Fax: +52-81-8144 4010

Netherlands

GRUNDFOS Netherlands
 Veluwezoom 35
 1326 AE Almere
 Postbus 22015
 1302 CA ALMERE
 Tel.: +31-88-478 6336
 Fax: +31-88-478 6332
 E-mail: info_gnl@grundfos.com

New Zealand

GRUNDFOS Pumps NZ Ltd.
 17 Beatrice Tinsley Crescent
 North Harbour Industrial Estate
 Albany, Auckland
 Tel.: +64-9-415 3240
 Fax: +64-9-415 3250

Norway

GRUNDFOS Pumper A/S
 Strømsveien 344
 Postboks 235, Leirdal
 N-1011 Oslo
 Tel.: +47-22 90 47 00
 Fax: +47-22 32 21 50

Poland

GRUNDFOS Pompy Sp. z o.o.
 ul. Klonowa 23
 Baranowo k. Poznania
 PL-62-081 Przeźmierowo
 Tel.: (+48-61) 650 13 00
 Fax: (+48-61) 650 13 50

Portugal

Bombas GRUNDFOS Portugal, S.A.
 Rua Calvet de Magalhães, 241
 Apartado 1079
 P-2770-153 Paço de Arcos
 Tel.: +351-21-440 76 00
 Fax: +351-21-440 76 90

Romania

GRUNDFOS Pompe România SRL
 S-PARK BUSINESS CENTER, Clădirea
 A2, etaj 2
 Str. Tipografilor, Nr. 11-15, Sector 1, Cod
 013714
 Bucuresti, Romania
 Tel.: 004 021 2004 100
 E-mail: romania@grundfos.ro

Russia

ООО Грундфос Россия
 ул. Школьная, 39-41
 Москва, RU-109544, Russia
 Тел. (+7) 495 564-88-00 (495) 737-30-00
 Факс (+7) 495 564 8811
 E-mail grundfos.moscow@grundfos.com

Serbia

Grundfos Srbija d.o.o.
 Omladinskih brigada 90b
 11070 Novi Beograd
 Tel.: +381 11 2258 740
 Fax: +381 11 2281 769
 www.rs.grundfos.com

Singapore

GRUNDFOS (Singapore) Pte. Ltd.
 25 Jalan Tukang
 Singapore 619264
 Tel.: +65-6681 9688
 Fax: +65-6681 9689

Slovakia

GRUNDFOS s.r.o.
 Prievozská 4D 821 09 BRATISLAVA
 Tel.: +421 2 5020 1426
 sk.grundfos.com

Slovenia

GRUNDFOS LJUBLJANA, d.o.o.
 Leskoškova 9e, 1122 Ljubljana
 Tel.: +386 (0) 1 568 06 10
 Fax: +386 (0)1 568 06 19
 E-mail: tehnika-si@grundfos.com

South Africa

GRUNDFOS (PTY) LTD
 16 Lascelles Drive, Meadowbrook Estate
 1609 Germiston, Johannesburg
 Tel.: (+27) 10 248 6000
 Fax: (+27) 10 248 6002
 E-mail: lgradidge@grundfos.com

Spain

Bombas GRUNDFOS España S.A.
 Camino de la Fuentequilla, s/n
 E-28110 Algete (Madrid)
 Tel.: +34-91-848 8800
 Fax: +34-91-628 0465

Sweden

GRUNDFOS AB
 Box 333 (Lunnagårdsgatan 6)
 431 24 Mölndal
 Tel.: +46 31 332 23 000
 Fax: +46 31 331 94 60

Switzerland

GRUNDFOS Pumpen AG
 Bruggacherstrasse 10
 CH-8117 Fällanden/ZH
 Tel.: +41-44-806 8111
 Fax: +41-44-806 8115

Taiwan

GRUNDFOS Pumps (Taiwan) Ltd.
 7 Floor, 219 Min-Chuan Road
 Taichung, Taiwan, R.O.C.
 Tel.: +886-4-2305 0868
 Fax: +886-4-2305 0878

Thailand

GRUNDFOS (Thailand) Ltd.
 92 Chaloeem Phrakiat Rama 9 Road
 Dokmai, Pravej, Bangkok 10250
 Tel.: +66-2-725 8999
 Fax: +66-2-725 8998

Turkey

GRUNDFOS POMPA San. ve Tic. Ltd.
 Sti.
 Gebze Organize Sanayi Bölgesi
 Ihsan dede Caddesi
 2. yol 200. Sokak No, 204
 41490 Gebze/ Kocaeli
 Tel.: +90 - 262-679 7979
 Fax: +90 - 262-679 7905
 E-mail: satis@grundfos.com

Ukraine

ТОВ "ГРУНДФОС УКРАЇНА"
 Бізнес Центр Європа
 Столицне шосе, 103
 м. Київ, 03131, Україна
 Tel.: (+38 044) 237 04 00
 Fax: (+38 044) 237 04 01
 E-mail: ukraine@grundfos.com

United Arab Emirates

GRUNDFOS Gulf Distribution
 P.O. Box 16768
 Jebel Ali Free Zone, Dubai
 Tel.: +971 4 8815 166
 Fax: +971 4 8815 136

United Kingdom

GRUNDFOS Pumps Ltd.
 Grovebury Road
 Leighton Buzzard/Beds. LU7 4TL
 Tel.: +44-1525-850000
 Fax: +44-1525-850011

U.S.A.

GRUNDFOS Water Utility Headquarters
 856 Koomey Road
 Brookshire, Texas 77423 USA

Uzbekistan

Grundfos Tashkent, Uzbekistan
 The Representative Office of Grundfos
 Kazakhstan in Uzbekistan
 38a, Oybek street, Tashkent
 Tel.: (+998) 71 150 3290 / 71 150 3291
 Fax: (+998) 71 150 3292

99558951 02.2022

ECM: 1321878
