

53. MTR

MTR 1s, 1, 2, 3, 4, 5 and 8 (50/60 Hz)

Shaft seal

Pos.	Kit No	96455084	96455085	96455086	96455087	96533324	96533326
	Description	HUUE	HUUV	HQQE	HQQV	HUUK	HQQK
105	Shaft seal	1	1	1	1	1	1
-	Adjusting fork	1	1	1	1	1	1

Wear parts, MTR 1s, 1, 2, 3

Pos.	Kit No	No O-ring	96530909	-	-	-	-	
		EPDM	-	98311342	98311345	98311346	98311347	98311348
		FKM	-	98311373	98311381	98311382	98311383	98311384
Number of chambers		2-9	10-19	20-27	29-36	37-42	43-49	
4a	Chamber with bearing	1	2	3	4	4	4	
37	Gasket	1	1	1	1	1	1	
	O-ring	-	1	1	1	1	1	
45	Neck ring	8	17	24	32	38	45	
47a	Bearing ring, rotating	1	2	3	4	4	-	
69a	Spacing pipe 30.3 mm	1	1	1	1	1	1	
64a	Spacing pipe 4 mm	1	2	3	4	4	4	
69	Spacing pipe 18 mm	7	16	23	31	37	44	
64	Spacing pipe 17 mm	7	16	23	31	37	44	
64c	Spacing pipe 9 mm	1	1	1	1	1	1	
65	Neck ring retainer	8	17	24	32	38	45	
66	Lock washer set	1	1	1	1	1	1	
67	Lock nut	1	1	1	1	1	1	
122	Simplified priming screw	1	1	1	1	1	1	
64c	Lower spacer 10.5 mm	1	1	1	1	1	1	

Wear parts, MTR 4

Pos.	Kit No	No O-ring	99923454	-	-
		EPDM	-	99923455	99923457
		FKM	-	99923456	99923458
Number of chambers		4-7	8-16	17-22	
4a	Chamber with bearing	2	3	4	
37	Gasket	1	1	1	
	O-ring	-	1	1	
45	Neck ring	5	13	18	
47a	Bearing ring, rotating	2	3	4	
64	Spacing pipe 20 mm	2	2	2	
64a	Spacing pipe 4 mm	2	2	2	
69	Spacing pipe 27 mm	4	12	18	
64	Spacing pipe 26 mm	4	12	18	
64c	Spacing pipe 15 mm	2	2	4	
65	Neck ring retainer	5	13	18	
66	Lock washer set	1	1	1	
67	Lock nut	1	1	1	
122	Simplified priming screw	1	1	1	
64c	Lower spacer 10.5 mm	1	1	1	

Wear parts, MTR 5

Pos.	Kit No	No O-ring	96531003	-	-	-
		EPDM	-	98311349	98311350	98311371
		FKM	-	98311385	98311386	98311388
Number of chambers		2-7	8-16	17-22	24-33	
4a	Chamber with bearing	2	3	4	6	
37	Gasket	1	1	1	1	
	O-ring	-	1	1	1	
45	Neck ring	5	13	18	27	
47a	Bearing ring, rotating	2	3	3	4	
69a	Spacing pipe 20 mm	1	1	1	1	
64a	Spacing pipe 4 mm	1	1	1	1	
69	Spacing pipe 27 mm	4	12	18	28	
64	Spacing pipe 26 mm	4	12	18	28	
64c	Spacing pipe 13 mm	2	3	3	4	
65	Neck ring retainer	5	13	18	27	
66	Lock washer set	1	1	1	1	
67	Lock nut	1	1	1	1	
122	Simplified priming screw	1	1	1	1	
64c	Lower spacer 10.5 mm	1	1	1	1	

Wear parts, MTR 8

Pos.	Kit No	No O-ring	98788385			
		EPDM	-	98788386	98788387	98788388
		FKM	-	98807648	98807649	98807650
Number of chambers		1-7	8-16	17-22	24-31	
4a	Chamber with bearing	2	3	4	6	
37	Gasket	1	1	1	1	
	O-ring	-	1	1	1	
45	Neck ring	5	13	18	27	
47a	Bearing ring, rotating	2	3	3	4	
69a	Spacing pipe 42 mm	1	1	1	1	
64a	Spacing pipe 4.15 mm	1	1	1	1	
69	Spacing pipe 27 mm	4	12	18	28	
64	Spacing pipe 26 mm	4	12	18	28	
64c	Spacing pipe 13 mm	2	3	3	4	
65	Neck ring retainer	5	13	18	27	
66	Lock washer set	1	1	1	1	
67	Lock nut	1	1	1	1	
122	Simplified priming screw	1	1	1	1	
64c	Lower spacer 10.5 mm	1	1	1	1	

Coupling

Pos.	Kit No	415078	415079	415062	415063	415314	415315	97689360	97899381
	Motor/pump shaft diameter x L [mm]	14/12 x 81	19/12 x 81	24/12 x 68	28/12 x 68	15.8/12 x 61	28.6/12 x 68	38/12 x 90	34.9/12 x 90
9	Screw	4	4	4	4	4	4	4	4
10	Pin	1	1	1	1	1	1	1	1
10a	Coupling half	2	2	2	2	2	2	2	2

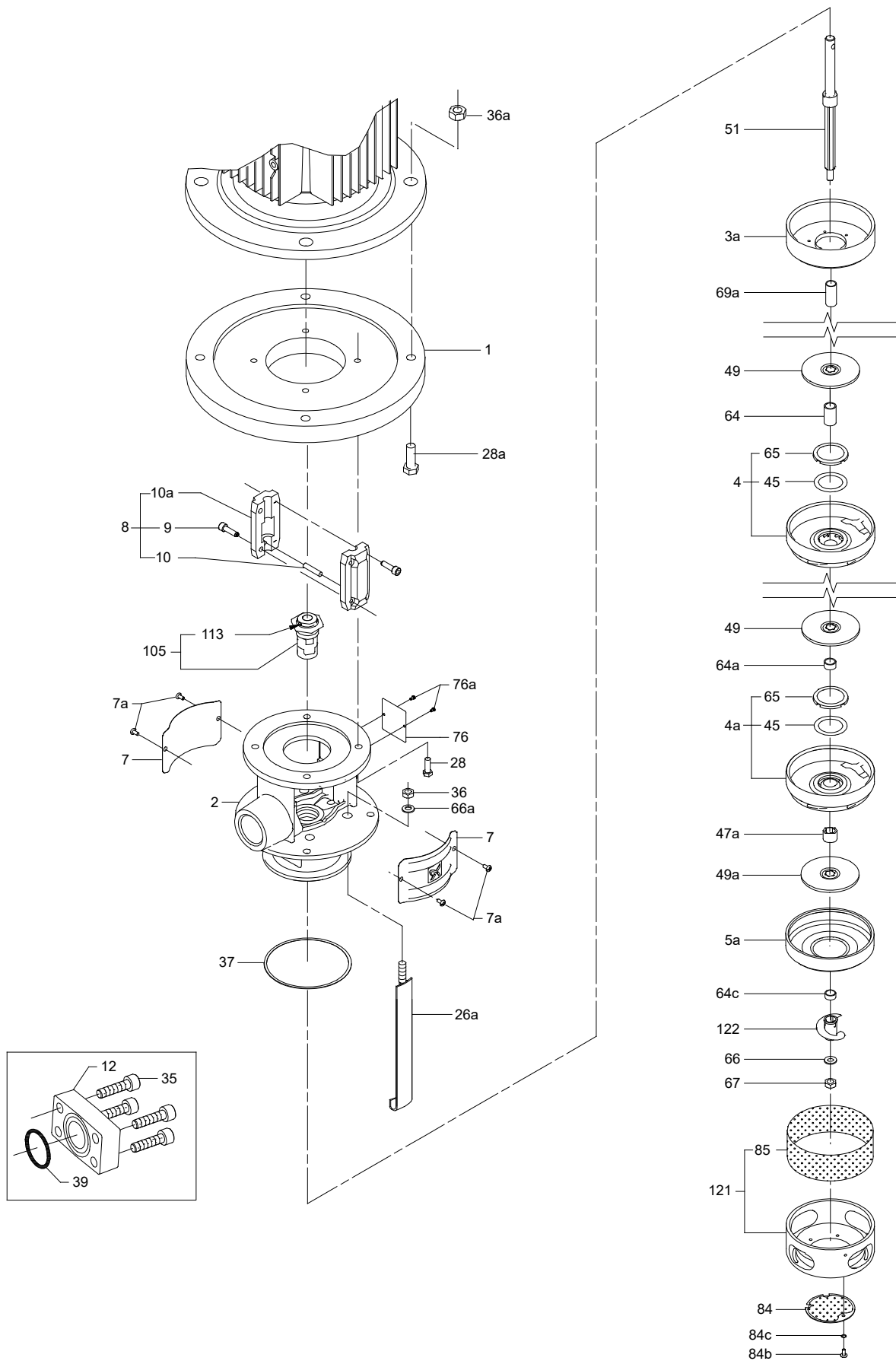
Coupling guard

Pos.	Kit No	96531008	97689844
	Description	5.5 to 7.5 kW	
7	Coupling guard	2	2
7a	Screw	4	4

Metal terminal box, MG 71/80

Pos.	Kit No	405179
	Description	
164a	Terminal box with gasket	1
164	Terminal box cover with gasket	1
166	Screw	4
175	Screw	4
176	Terminal complete	1

MTR 1s, 1, 2, 3, 4, 5, 8



TM032918

MTR 1s, 1, 2, 3, 4, 5 and 8 with drainage back to tank (50/60 Hz)

Shaft seal

Pos.	Kit No	98584426	98928902
	Description	AQQV	AQQE
105	Shaft seal	1	1
183	Lip seal	1	1
37	Gasket	1	1
37	D-ring	1	1
-	Adjusting fork	1	1

Wear parts, MTR 1s, 1, 2, 3 with drainage back to tank

Pos.	Kit No	No O-ring	96530909	-	-	-	-	
		EPDM	-	98311342	98311345	98311346	98311347	98311348
		FKM	-	98311373	98311381	98311382	98311383	98311384
Number of chambers		2-9	10-19	20-27	29-36	37-42	43-49	
4a	Chamber with bearing	1	2	3	4	4	4	
37	Gasket	1	1	1	1	1	1	
	O-ring	-	1	1	1	1	1	
45	Neck ring	8	17	24	32	38	45	
47a	Bearing ring, rotating	1	2	3	4	4	-	
69a	Spacing pipe 30.3 mm	1	1	1	1	1	1	
64a	Spacing pipe 4.15 mm	1	2	3	4	4	4	
69	Spacing pipe 18 mm	7	16	23	31	37	44	
64	Spacing pipe 17 mm	7	16	23	31	37	44	
64c	Spacing pipe 9 mm	1	1	1	1	1	1	
65	Neck ring retainer	8	17	24	32	38	45	
66	Lock washer set	1	1	1	1	1	1	
67	Lock nut	1	1	1	1	1	1	
122	Simplified priming screw	1	1	1	1	1	1	
64c	Lower spacer 10.5 mm	1	1	1	1	1	1	

Wear parts, MTR 4

Pos.	Kit No	No O-ring	99923454	-	-
		EPDM	-	99923455	99923457
		FKM	-	99923456	99923458
Number of chambers		4-7	8-16	17-22	
4a	Chamber with bearing	2	3	4	
37	Gasket	1	1	1	
	O-ring	-	1	1	
45	Neck ring	5	13	18	
47a	Bearing ring, rotating	2	3	4	
64	Spacing pipe 20 mm	2	2	2	
64a	Spacing pipe 4 mm	2	2	2	
69	Spacing pipe 27 mm	4	12	18	
64	Spacing pipe 26 mm	4	12	18	
64c	Spacing pipe 15 mm	2	2	4	
65	Neck ring retainer	5	13	18	
66	Lock washer set	1	1	1	
67	Lock nut	1	1	1	
122	Simplified priming screw	1	1	1	
64c	Lower spacer 10.5 mm	1	1	1	

Wear parts, MTR 5 with drainage back to tank

Pos.	Kit No	No O-ring	96531003	-	-	-
		EPDM	-	98311349	98311350	98311371
		FKM	-	98311385	98311386	98311388
Number of chambers		2-7	8-16	17-22	24-33	
4a	Chamber with bearing	2	3	4	6	
37	Gasket	1	1	1	1	
	O-ring	-	1	1	1	
45	Neck ring	5	13	18	27	
47a	Bearing ring, rotating	2	3	3	4	
69a	Spacing pipe 20 mm	1	1	1	1	
64a	Spacing pipe 4 mm	1	1	1	1	
69	Spacing pipe 27 mm	4	12	18	28	
64	Spacing pipe 26 mm	4	12	18	28	
64c	Spacing pipe 13 mm	2	3	3	4	
65	Neck ring retainer	5	13	18	26	
66	Lock washer set	1	1	1	1	
67	Lock nut	1	1	1	1	
122	Simplified priming screw	1	1	1	1	
64c	Lower spacer 10.5 mm	1	1	1	1	

Wear parts, MTR 8 with drainage back to tank

Pos.	Kit No	No O-ring	98788385			
		EPDM	-	98788386	98788387	98788388
		FKM	-	98807648	98807649	98807650
Number of chambers		1-7	8-16	17-22	24-31	
4a	Chamber with bearing	2	3	4	6	
37	Gasket	1	1	1	1	
	O-ring	-	1	1	1	
45	Neck ring	5	13	18	27	
47a	Bearing ring, rotating	2	3	3	4	
69a	Spacing pipe 42 mm	1	1	1	1	
64a	Spacing pipe 4.15 mm	1	1	1	1	
69	Spacing pipe 27 mm	4	12	18	28	
64	Spacing pipe 26 mm	4	12	18	28	
64c	Spacing pipe 13 mm	2	3	3	4	
65	Neck ring retainer	5	13	18	27	
66	Lock washer set	1	1	1	1	
67	Lock nut	1	1	1	1	
122	Simplified priming screw	1	1	1	1	
64c	Lower spacer 10.5 mm	1	1	1	1	

Coupling

Pos.	Kit No	415078	415079	415062	415063	415314	415315	97689360	97899381
	Motor/pump shaft diameter x L [mm]	14/12 x 81	19/12 x 81	24/12 x 68	28/12 x 68	15.8/12 x 61	28.6/12 x 68	38/12 x 90	34.9/12 x 90
9	Screw	4	4	4	4	4	4	4	4
10	Pin	1	1	1	1	1	1	1	1
10a	Coupling half	2	2	2	2	2	2	2	2

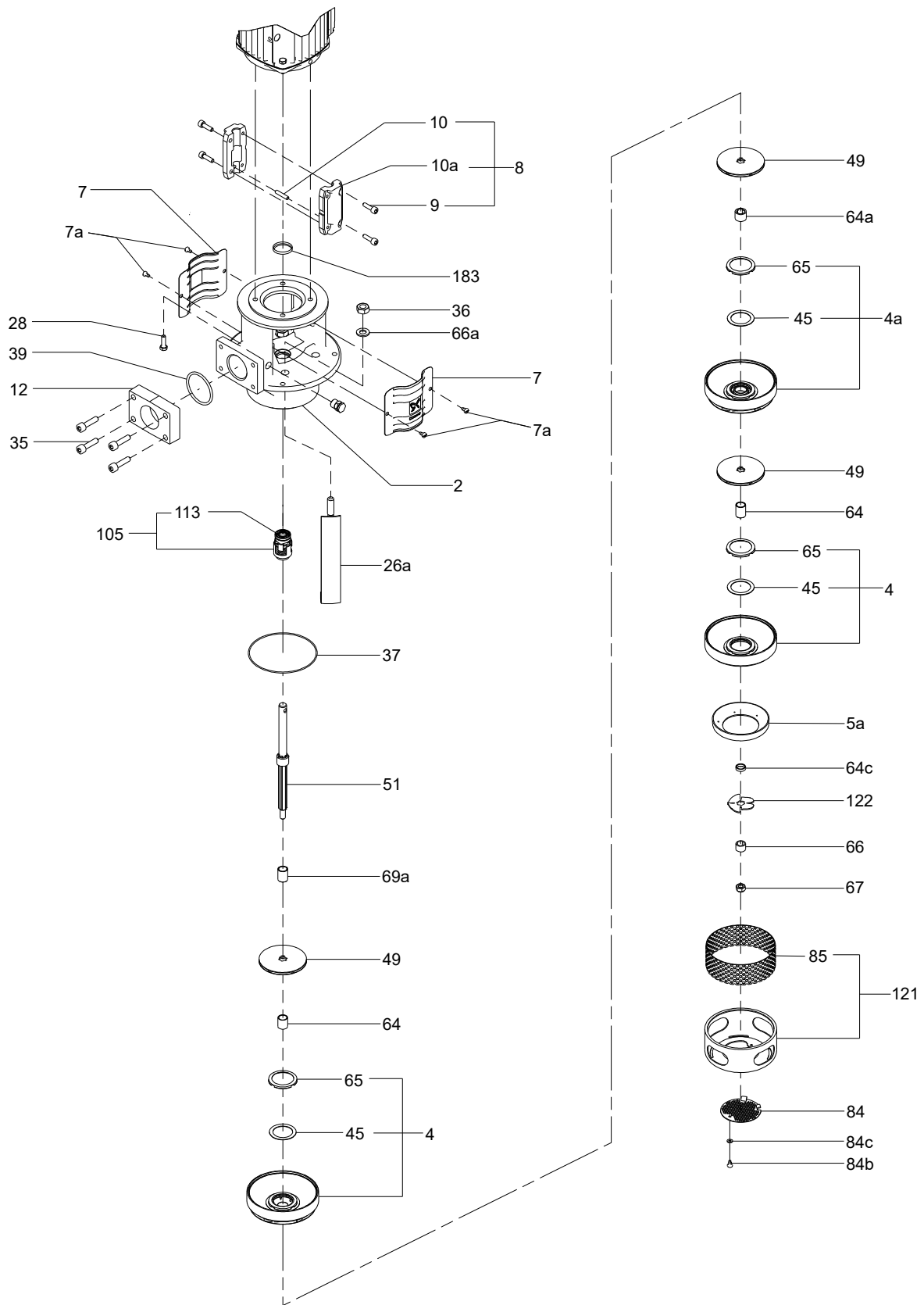
Coupling guard

Pos.	Kit No	96531008	97689844
	Description	5.5 to 7.5 kW	
7	Coupling guard	2	2
7a	Screw	4	4

Metal terminal box, MG 71/80

Pos.	Kit No	405179
	Description	
164a	Terminal box with gasket	1
164	Terminal box cover with gasket	1
166	Screw	4
175	Screw	4
176	Terminal complete	1

MTR 1s, 1, 2, 3, 4, 5, 8 with drainage back to tank



TM081434

MTR 10, 15 and 20

Shaft seal

Pos.	Kit No	96511840	96511841	96511844	96511845	96511842	96511846
	Description	HUUE	HUUV	HQQE	HQQV	HUUK	HQQK
105	Shaft seal	1	1	1	1	1	1
-	Adjusting fork	1	1	1	1	1	1

Wear parts, MTR 10

Pos.	Kit No	96531041	96531042	96531043	97689849	97689850
	Number of chambers	2-9	10-16	18-22	23-27	28-31
4a	Chamber with bearing	2	3	3	4	4
37	Gasket	1	1	1	1	1
45	Neck ring	7	13	19	23	27
47a	Bearing ring, rotating	2	3	3	4	4
64a	Spacing pipe 6 mm	2	3	3	4	6
64e	Spacing pipe 7 mm	1	2	2	3	3
64	Spacing pipe 9 mm	2	3	3	4	4
64b	Spacing pipe 11 mm	1	1	1	1	1
69a	Spacing pipe 18 mm	1	1	1	1	1
69	Spacing pipe 29 mm	6	12	18	22	26
64d	Spacing pipe 30 mm	6	12	18	22	26
65	Neck ring retainer	7	13	19	23	27
66	Lock washer set	1	1	1	1	1
122	Priming screw	1	1	1	1	1
64c	Lower spacer	1	1	1	1	1

Wear parts, MTR 15, 20

Pos.	Kit No	96531044	96531045	97689487
	Number of chambers	2-9	10-17	18-21
4a	Chamber with bearing	2	3	3
37	Gasket	1	1	1
45	Neck ring	7	14	18
47a	Bearing ring, rotating	2	3	3
64e	Spacing pipe 7 mm	2	2	2
64b	Spacing pipe 11 mm	1	1	1
64a	Spacing pipe 12.6 mm	2	3	3
64	Spacing pipe 17 mm	2	3	3

Pos.	Kit No	96531044	96531045	97689487
	Number of chambers	2-9	10-17	18-21
69a	Spacing pipe 25.6 mm	1	1	1
69	Spacing pipe 43.6 mm	6	13	17
64d	Spacing pipe 45 mm	6	13	17
65	Neck ring retainer	7	14	18
66	Lock washer set	1	1	1
122	Priming screw	1	1	1
64c	Lower spacer	1	1	1

Coupling

Pos.	Kit No	339169	339124	339128	339138	339142	425260	425261	425262	425263
		Motor/pump shaft diameter x L [mm]	19/16 x 82	24/16 x 68	28/16 x 68	38/16 x 90	42/16 x 105	15.9/16 x 63	28.6/16 x 90	34.9/16 x 90
9	Screw	4	4	4	4	4	4	4	4	4
10	Pin	1	1	1	1	1	1	1	1	1
10a	Coupling half	2	2	2	2	2	2	2	2	2

Coupling guard

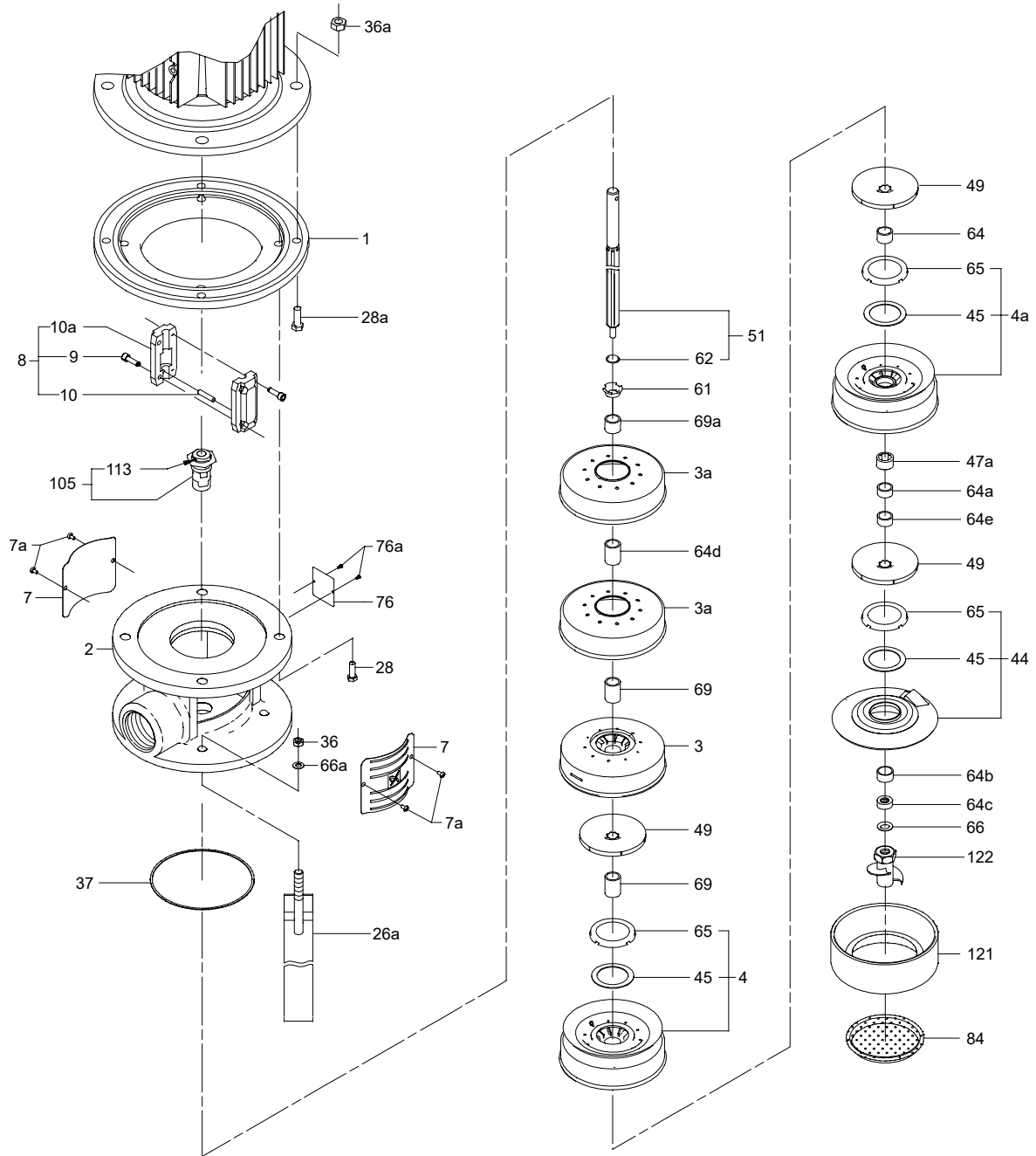
Pos.	Kit No	96531046	96531047	96531048
	Description	84.5 x 131.8 mm	84.5 x 104 mm	131.8 x 125 mm
7	Coupling guard	2	2	2
7a	Screw	4	4	4

Metal terminal box, MG 71/80

Pos.	Kit No	405179
	Description	
164a	Terminal box with gasket	1
164	Terminal box cover with gasket	1
166	Screw	4
175	Screw	4

Pos.	Kit No	405179
	Description	
176	Terminal complete	1

MTR 10, 15, 20



TM028026

MTR 10, 15 and 20 with drainage back to tank**Shaft seal**

Pos.	Kit No	98873610	98979871
	Description	AQQV	AQQE
105	Shaft seal	1	1
183	Lip seal	1	1
37	Gasket	1	1
-	Adjusting fork	1	1

Wear parts, MTR 10

Pos.	Kit No	96531041	96531042	96531043	97689849	97689850
	Number of chambers	2-9	10-16	18-22	23-27	28-31
4a	Chamber with bearing	2	3	3	4	4
37	Gasket	1	1	1	1	1
45	Neck ring	7	13	19	23	27
47a	Bearing ring, rotating	2	3	3	4	4
64a	Spacing pipe 6 mm	2	3	3	4	6
64e	Spacing pipe 7 mm	1	2	2	3	3
64	Spacing pipe 9 mm	2	3	3	4	4
64b	Spacing pipe 11 mm	1	1	1	1	1
69a	Spacing pipe 18 mm	1	1	1	1	1
69	Spacing pipe 29 mm	6	12	18	22	26
64d	Spacing pipe 30 mm	6	12	18	22	26
65	Neck ring retainer	7	13	19	23	27
66	Lock washer	1	1	1	1	1
122	Priming screw	1	1	1	1	1
64c	Lower spacer	1	1	1	1	1

Wear parts, MTR 15, 20

Pos.	Kit No	96531044	96531045	97689487
	Number of chambers	2-9	10-17	18-21
4a	Chamber with bearing	2	3	3
37	Gasket	1	1	1
45	Neck ring	7	14	18
47a	Bearing ring, rotating	2	3	3
64e	Spacing pipe 7 mm	2	2	2
64b	Spacing pipe 11 mm	1	1	1
64a	Spacing pipe 12.6 mm	2	3	3
64	Spacing pipe 17 mm	2	3	3
69a	Spacing pipe 25.6 mm	1	1	1
69	Spacing pipe 43.6 mm	6	13	17
64d	Spacing pipe 45 mm	6	13	17
65	Neck ring retainer	7	14	18
66	Lock washer	1	1	1
122	Priming screw	1	1	1
64c	Lower spacer	1	1	1

Coupling

Pos.	Kit No	339169	339124	339128	339138	339142	425260	425261	425262	425263
	Motor/pump shaft diameter x L [mm]	19/16 x 82	24/16 x 68	28/16 x 68	38/16 x 90	42/16 x 105	15.9/16 x 63	28.6/16 x 90	34.9/16 x 90	41.3/16 x 105
9	Screw	4	4	4	4	4	4	4	4	4
10	Pin	1	1	1	1	1	1	1	1	1
10a	Coupling half	2	2	2	2	2	2	2	2	2

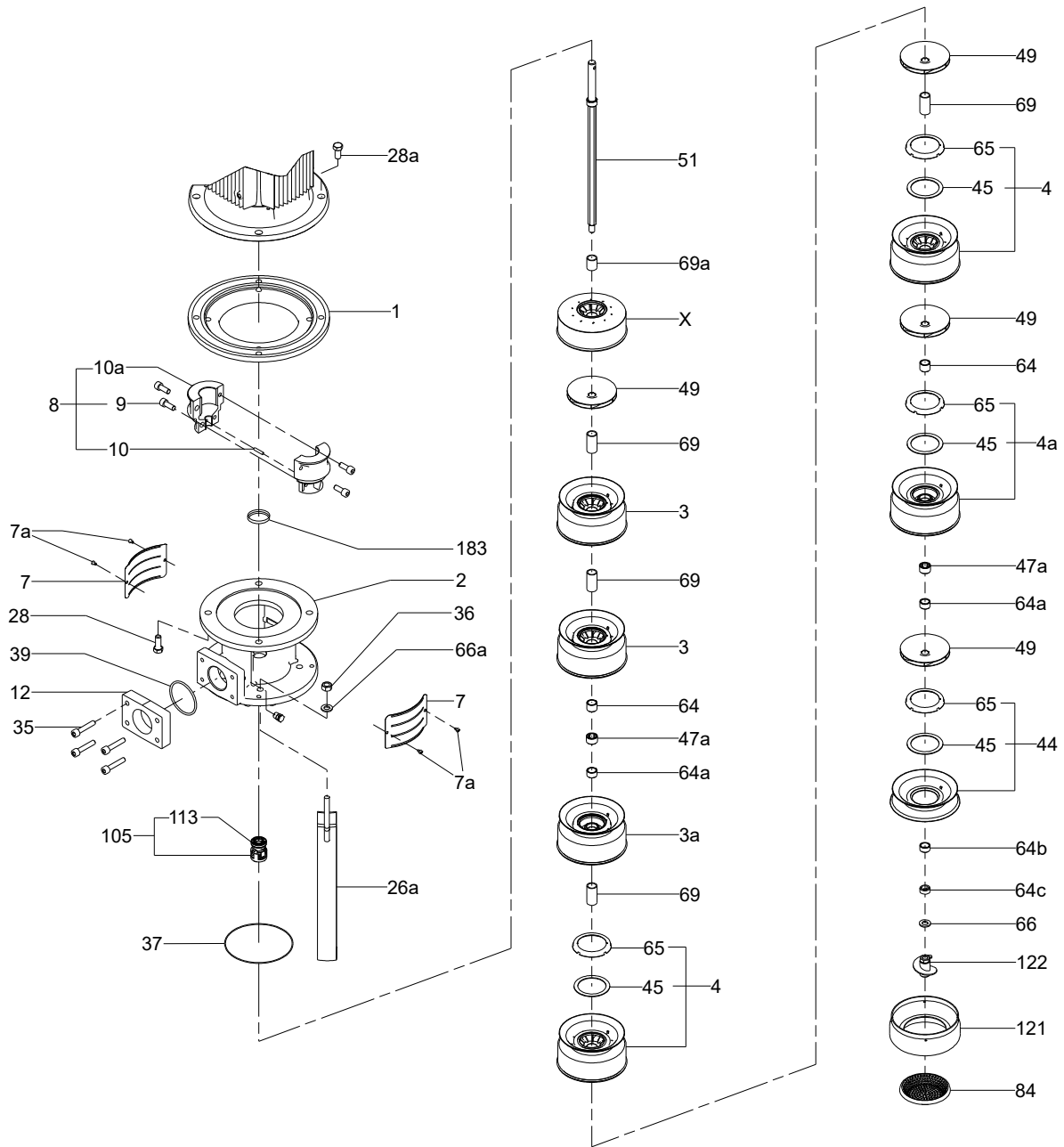
Coupling guard

Pos.	Kit No	96531046	96531047	96531048
	Description	84.5 x 131.8 mm	84.5 x 104 mm	131.8 x 125 mm
7	Coupling guard	2	2	2
7a	Screw	4	4	4

Metal terminal box, MG 71/80

Pos.	Kit No	405179
	Description	
164a	Terminal box with gasket	1
164	Terminal box cover with gasket	1
166	Screw	4
175	Screw	4
176	Terminal complete	1

MTR 10, 15, 20 with drainage back to tank



TM081435

MTR 32, 45 and 64

Shaft seal

Pos.	Kit No	96441768	96525458	96525490	96436727	96533367	96533369
	Description	HUUV	HQQE	HQQV	HUUE	HUUK	HQQK
105	Shaft seal	1	1	1	1	1	1

Wear parts, MTR 32

Pos.	Kit No	96430767	96491254	96491255	96430768	96491256	96430769	97689525	97689526	97689527
	Number of chambers	1-4	5-8	9-14	5-8	9-14	9-14	15-18	15-18	15-18
	Number of impellers	1-4	1-3	1-3	5-8	4-8	9-12	1-3	4-8	9-12
37	O-ring	4	8	14	4	11	6	18	15	10
45	Neck ring	4	4	4	8	8	12	4	8	12
47	Bearing (Graflon)	1	1	1	2	2	3	1	2	3
47	Bearing (SiC)	1	1	1	2	2	3	1	2	3
47c	Bush	3	3	3	6	6	9	3	6	9
47d	Lock ring	4	4	4	8	8	12	4	8	12
49c	Wear ring	4	4	4	8	8	12	4	8	12
65	Neck ring retainer	4	4	4	8	8	12	4	8	12

Wear parts, MTR 45

Pos.	Kit No	96430773	96491257	96491370	96430775	96491371	97689529	97689530
	Number of chambers	1-4	5-8	9-12	5-8	9-12	13-17	13-17
	Number of impellers	1-4	1-3	1-3	4-8	4-8	1-3	4-8
37	O-ring 160 x 2	4	8	12	5	9	17	14
45	Neck ring	4	4	4	8	8	4	8
47	Bearing (Graflon)	1	1	1	2	2	1	2
47	Bearing (SiC)	1	1	1	2	2	1	2
47c	Bush	3	3	3	6	6	3	6
47d	Lock ring	4	4	4	8	8	4	8
49c	Wear ring	4	4	4	8	8	4	8
65	Neck ring retainer	4	4	4	8	8	4	8

Wear parts, MTR 64

Pos.	Kit No	96430819	96491372	96491373	96430820	96491374	97689976	97689977
	Number of chambers	1-4	5-8	9-12	5-8	9-12	13-17	13-17
	Number of impellers	1-4	1-3	1-3	4-5	4-5	1-3	4-5
37	O-ring 160 x 2	4	8	12	5	9	17	14
45	Neck ring	4	4	4	5	5	4	5
47	Bearing (Graflon)	1	1	1	2	2	1	2
47	Bearing (SiC)	1	1	1	2	2	1	2
47c	Bush	3	3	3	3	3	3	3
47d	Lock ring	4	4	4	5	5	4	5
49c	Wear ring	4	4	4	5	5	4	5
65	Neck ring retainer	4	4	4	5	5	4	5

Bearing

Pos.	Pump type	MTR 32			MTR 45		MTR 64	
	Number of chambers	1-4	5-8	9-18	1-4	5-17	1-4	5-17
	Kit No	96430821	96430822	96430823	96430824	96430825	96430826	96430827
47a	Bearing	1	2	3	1	2	1	2

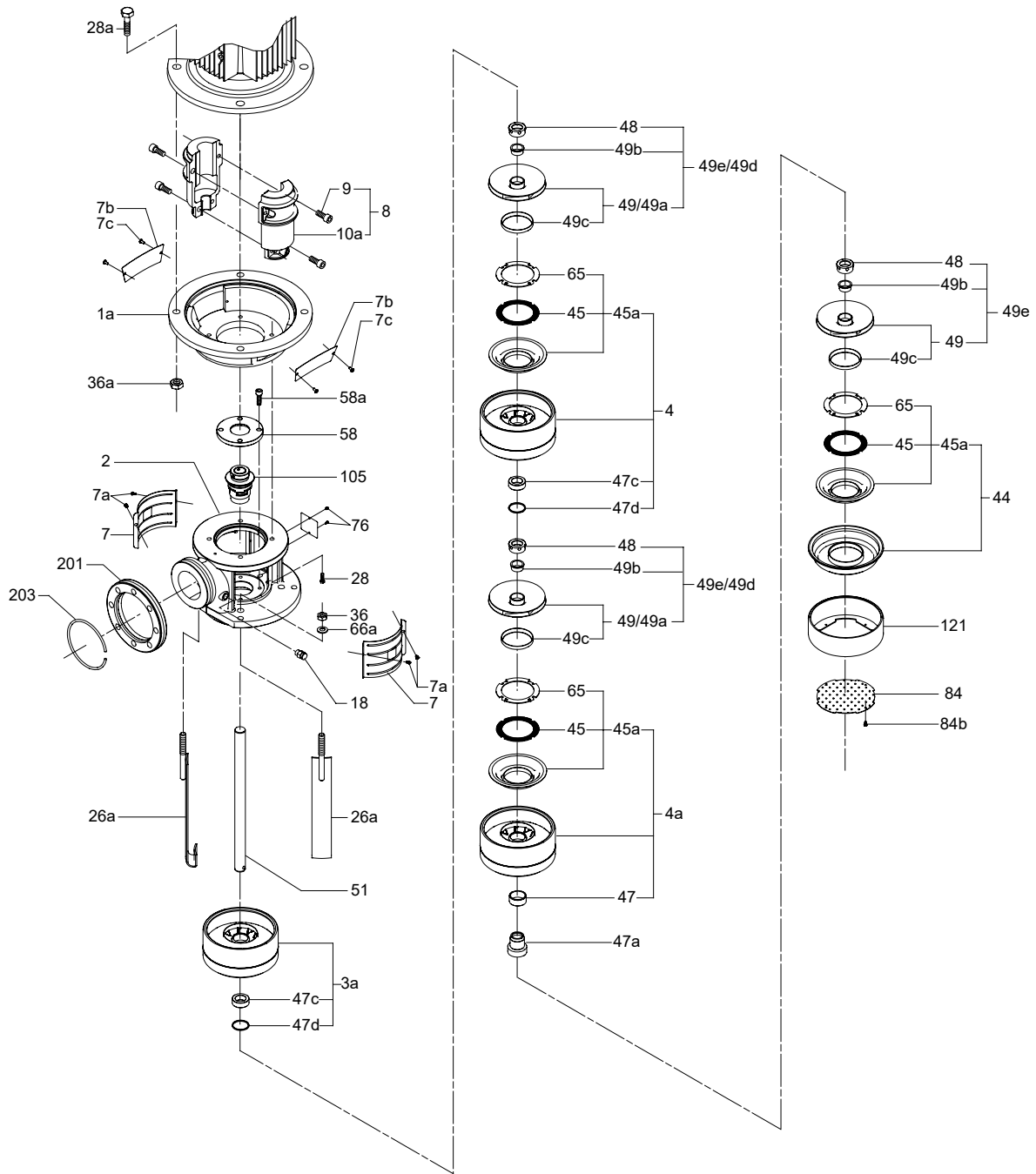
Coupling complete

Pos.	Motor/pump shaft diameter [mm]	24/22	28/22	38/22	42/22	48/22	55/22	28.6/22	34.9/22	41.2/22
	Kit No	96430829	96430830	96430831	96430832	96430833	96430834	96430835	96430836	96430837
8	Coupling	1	1	1	1	1	1	1	1	1

Kit, bearing

Pos.	Description	98629744
47	Bearing ring	3
47d	Lock ring	3

MTR 32, 45, 64



TW014626

MTR 32, 45, 64, 90, model B**Shaft seal**

Pos.	Kit No	96441768	96525458	96525490	96436727	96533367	96533369
	Description	HUUV	HQQE	HQQV	HUUE	HUUK	HQQK
105	Shaft seal	1	1	1	1	1	1

Wear parts, MTR 32

Pos.	Kit No	98628296	98628298	98628337	98629661	98629668	98629669	98629682	98629683	98629684
	Number of chambers	1-4	5-8	9-12	5-8	9-14	9-14	15-18	15-18	15-18
	Number of impellers	1-4	1-3	1-3	5-8	4-8	9-14	1-3	4-8	9-14
45	Seal ring	4	4	4	8	8	14	4	8	14
47c	Bush	3	3	3	6	6	9	3	6	9
47d	Lock ring	4	4	4	8	8	14	4	8	14
49c	Wear ring	4	4	4	8	8	14	4	8	14
65	Top for neck ring	4	4	4	8	8	14	4	8	14
37	O-ring	4	8	14	4	11	6	6	15	10
-	Adjustment fork	1	1	1	1	1	1	1	1	1

Wear parts, MTR 45

Pos.	Kit No	98629686	98629689	98629690	98629716	98629718	98629719	98629732
	Number of chambers	1-4	5-8	9-12	5-8	9-12	13-17	13-17
	Number of impellers	1-4	1-3	1-3	4-8	4-8	1-3	4-8
45	Seal ring	4	4	4	8	8	4	8
47c	Bush	3	3	3	6	6	3	6
47d	Lock ring	4	4	4	8	8	4	8
49c	Wear ring	4	4	4	8	8	4	8
65	Top for neck ring	4	4	4	8	8	4	8
37	O-ring	4	8	12	5	9	13	13
64a	Spacer	1	1	1	1	1	1	1
-	Adjustment fork	1	1	1	1	1	1	1

Wear parts, MTR 64

Pos.	Kit No	98629735	98629736	98629738	98629739	98629740	98629741	98629743
	Number of chambers	1-4	5-8	9-12	5-8	9-12	13-17	13-17
	Number of impellers	1-4	1-3	1-3	4-5	4-5	1-3	4-5
45	Seal ring	4	4	4	5	5	4	5
47c	Bush	3	3	3	3	4	3	3
47d	Lock ring	4	4	4	5	5	4	5
49c	Wear ring	4	4	4	5	5	4	5
65	Top for neck ring	4	4	4	5	5	4	5
37	O-ring	4	8	8	5	8	8	8
64a	Spacer	1	1	1	1	1	1	1
-	Adjustment fork	1	1	1	1	1	1	1

Chamber with bearing

Type	Kit No		
	MTR 32	MTR 45	MTR 64
SIC/SIC	98497462	98497485	98497500

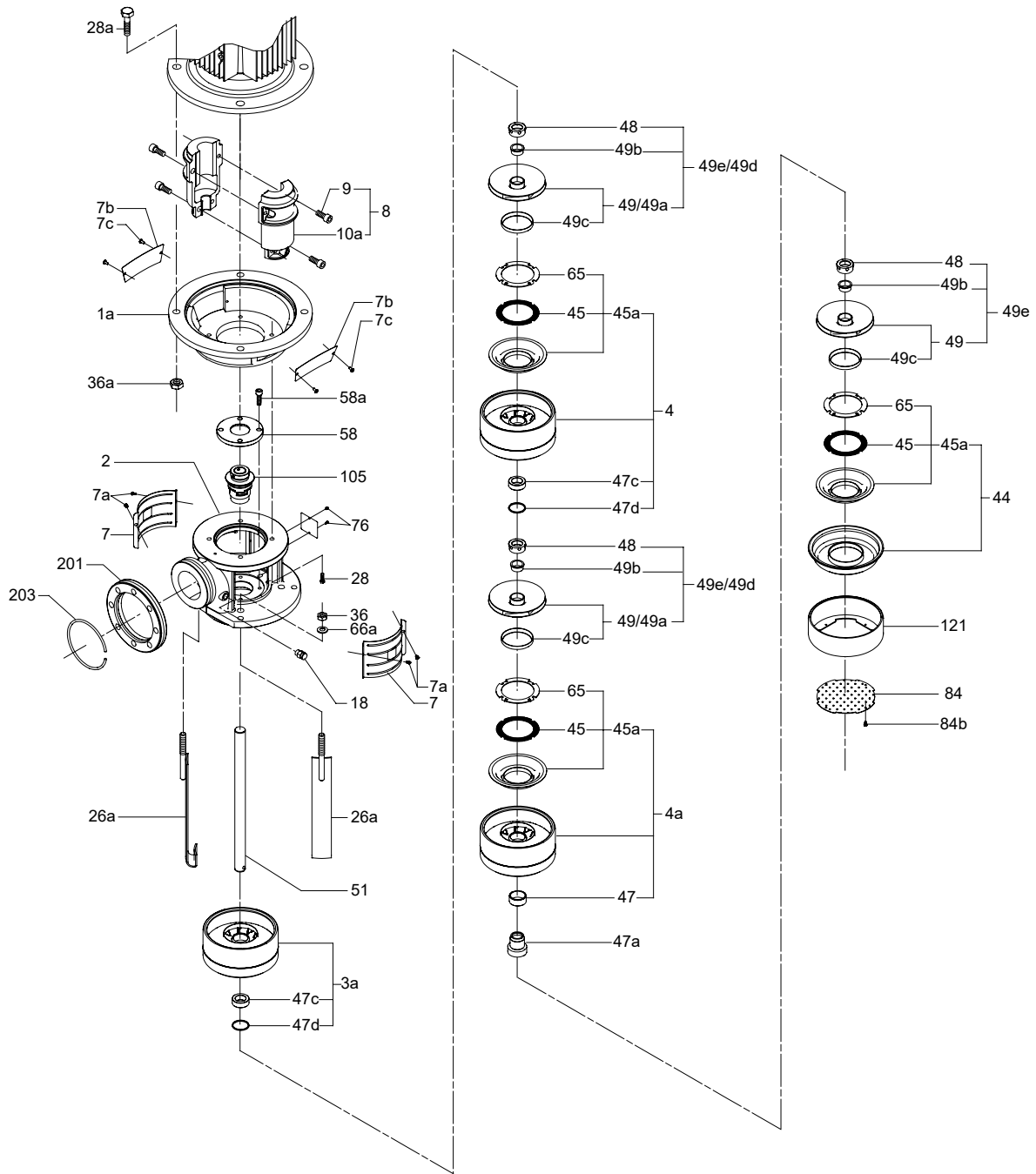
Content

Pos.	Description	Quantity
4a	Chamber cpl.	1
47a	Rotating bearing	1

Coupling complete

Pos.	Motor/pump shaft diameter [mm]	24/22	28/22	38/22	42/22	48/22	55/22	28.6/22	34.9/22	41.2/22
	Kit No	96430829	96430830	96430831	96430832	96430833	96430834	96430835	96430836	96430837
8	Coupling	1	1	1	1	1	1	1	1	1

MTR 32, 45, 64, 90, model B



TW014626

MTR 32, 45, 64, model C with drainage back to tank**Shaft seal**

Pos.	Kit No	94541768	94541746	94525490	94536727	94533367	94533369	94558309
	Description	HUUV	HQQE	HQQV	HUUE	HUUK	HQQK	HUQE
105	Shaft seal	1	1	1	1	1	1	1
183	Lip seal	1	1	1	1	1	1	1
100	Seal washer	3	3	3	3	3	3	3
25	Plug	1	1	1	1	1	1	1
-	Adjusting fork	1	1	1	1	1	1	1

Wear parts, MTR 32

Pos.	Kit No	98628296	98628298	98628337	98629661	98629668	98629669	98629682	98629683	98629684
	Number of chambers	1-4	5-8	9-12	5-8	9-14	9-14	15-18	15-18	15-18
	Number of impellers	1-4	1-3	1-3	5-8	4-8	9-14	1-3	4-8	9-14
45	Seal ring	4	4	4	8	8	14	4	8	14
47c	Bush	3	3	3	6	6	9	3	6	9
47d	Lock ring	4	4	4	8	8	14	4	8	14
49c	Wear ring	4	4	4	8	8	14	4	8	14
65	Top for neck ring	4	4	4	8	8	14	4	8	14
37	O-ring	4	8	14	4	11	6	6	15	10
-	Adjustment fork	1	1	1	1	1	1	1	1	1

Wear parts, MTR 45

Pos.	Kit No	98629686	98629689	98629690	98629716	98629718	98629719	98629732
	Number of chambers	1-4	5-8	9-12	5-8	9-12	13-17	13-17
	Number of impellers	1-4	1-3	1-3	4-8	4-8	1-3	4-8
45	Seal ring	4	4	4	8	8	4	8
47c	Bush	3	3	3	6	6	3	6
47d	Lock ring	4	4	4	8	8	4	8
49c	Wear ring	4	4	4	8	8	4	8
65	Top for neck ring	4	4	4	8	8	4	8
37	O-ring	4	8	12	5	9	13	13
64a	Spacer	1	1	1	1	1	1	1
-	Adjustment fork	1	1	1	1	1	1	1

Wear parts, MTR 64

Pos.	Kit No	98629735	98629736	98629738	98629739	98629740	98629741	98629743
	Number of chambers	1-4	5-8	9-12	5-8	9-12	13-17	13-17
	Number of impellers	1-4	1-3	1-3	4-5	4-5	1-3	4-5
45	Seal ring	4	4	4	5	5	4	5
47c	Bush	3	3	3	3	4	3	3
47d	Lock ring	4	4	4	5	5	4	5
49c	Wear ring	4	4	4	5	5	4	5
65	Top for neck ring	4	4	4	5	5	4	5
37	O-ring	4	8	8	5	8	8	8
64a	Spacer	1	1	1	1	1	1	1
-	Adjustment fork	1	1	1	1	1	1	1

Chamber with bearing

Type	Kit No		
	MTR 32	MTR 45	MTR 64
SIC/SIC	98497462	98497485	98497500

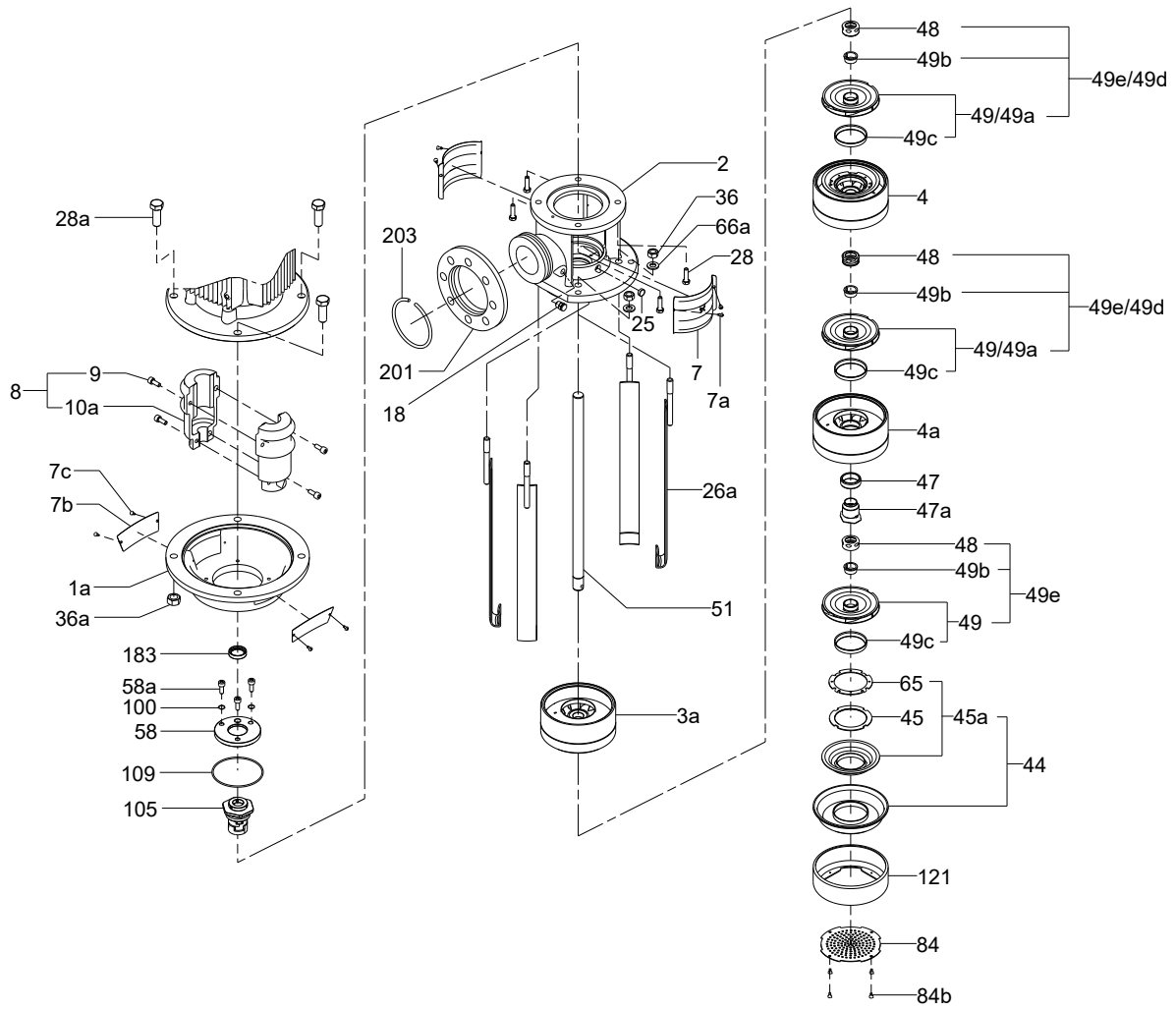
Content

Pos.	Description	Quantity
4a	Chamber cpl.	1
47a	Rotating bearing	1

Coupling complete

Pos.	Motor/pump shaft diameter [mm]	24/22	28/22	38/22	42/22	48/22	55/22	28.6/22	34.9/22	41.2/22
	Kit No	96430829	96430830	96430831	96430832	96430833	96430834	96430835	96430836	96430837
8	Coupling	1	1	1	1	1	1	1	1	1

MTR 32, 45, 64, model C with drainage back to tank



TM081174