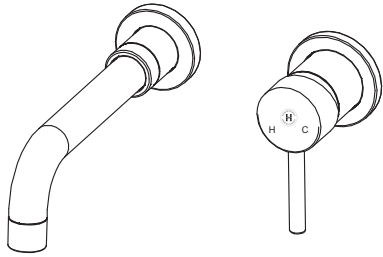


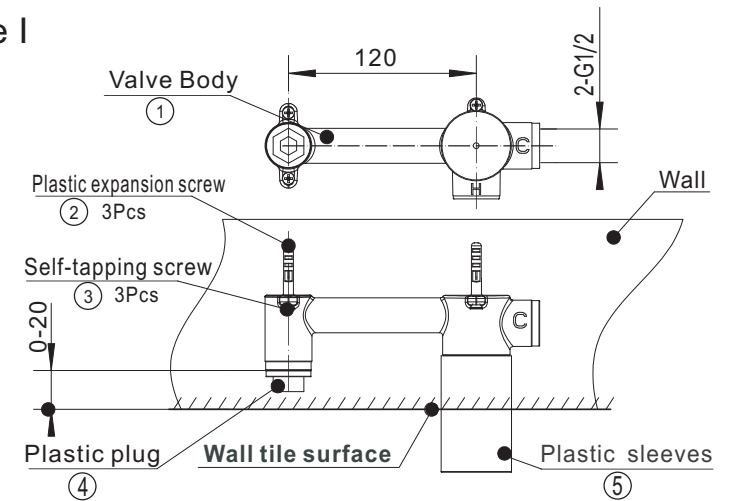


Installation and operation instruction



1. Place three plastic expansion screws (2) on the wall, and then use three SS304 self-tapping screws (3) to fix the valve body (1) on the wall (pay attention to the position and levelness between the valve body, floor and wall).
2. Connect the cold \hot water inlet pipe to the two G1/2 inlet holes of the valve body.
3. Open cold and hot water supply, take off (5) Plastic sleeve, turn on cartridge, check each connection if any leaks. Then screw in (4) Plastic plug and push in (5) Plastic sleeve.
4. Decorate the wall tile surface (pay attention the distance between wall and (6) Adapter connector is 0 to 20mm, also hole size).
5. Screw out (4) Plastic plug and pull out (5) Plastic sleeve.
6. Loose (8) Round screw nut by hand, screw out (6) G1/2 Adapter connector, wind PTFE on G1/2 thread, then use Hexagon wrench screw tight on (1) Valve body, last push in (7) Flange.
7. Insert (9) Outlet pipe in (6) G1/2 Adapter connector, screw in (8) Round screw nut to fix it.
8. Push (12) Flange onto (10) Cartridge sleeve.
9. Screw out (16) handle spindle, use (15) Allen Key to loose (14) M5 screw, push (13) Handle onto (11) Stem spool, then use (15) Allen Key to screw in (14) M5 screw, fix (13) Handle, last screw in (16) handle spindle. (pay attention direction of (13) Handle).
10. Open cold and hot water supply, and open handle, check each connection if any leaks.

● Figure I



● Figure II

