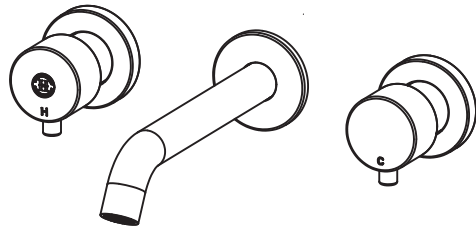




# Installation and operation instruction



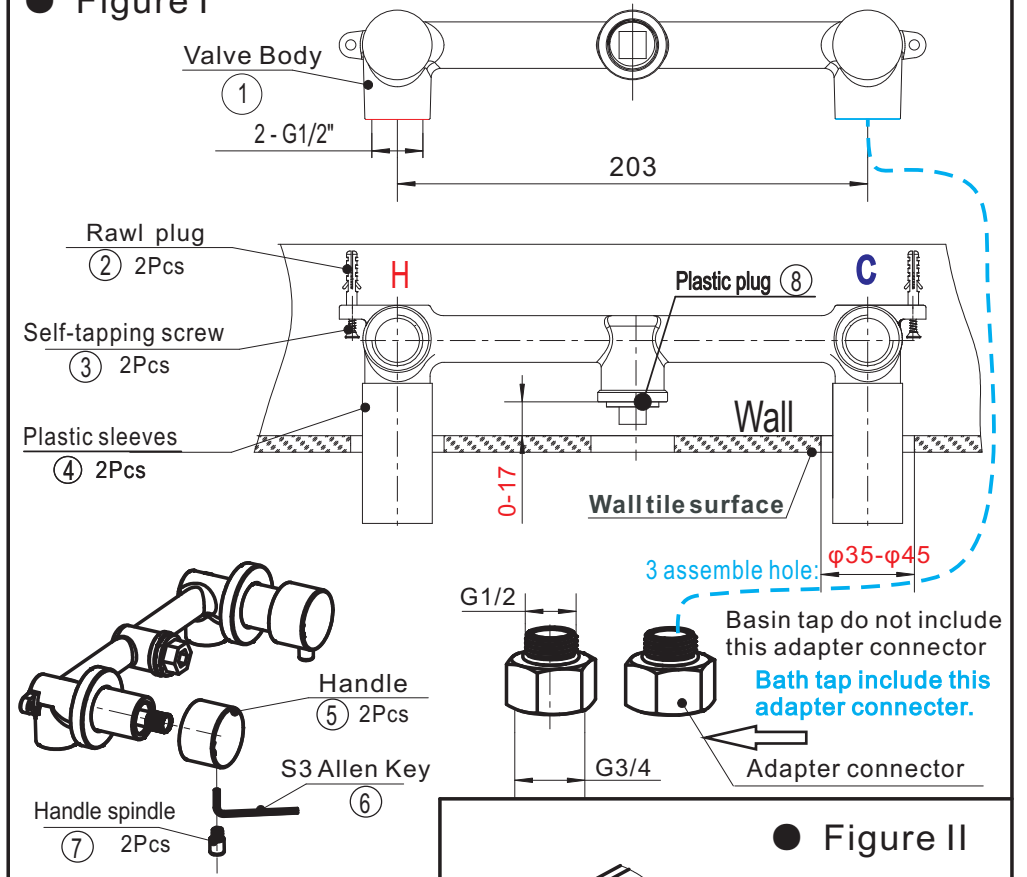
## Guarantee & Aftercare

When installing or using tools, extra care must be taken to avoid damaging the finish or fitting. To maintain the appearance, please ensure it is cleaned regularly using a clean soft damp cloth only. Abrasive cleaners or detergents must not be used as they may cause surface deterioration. The company provides a guarantee against faulty material or manufacture excluding serviceable parts, providing they have been installed, cared for and used in accordance with our instructions.

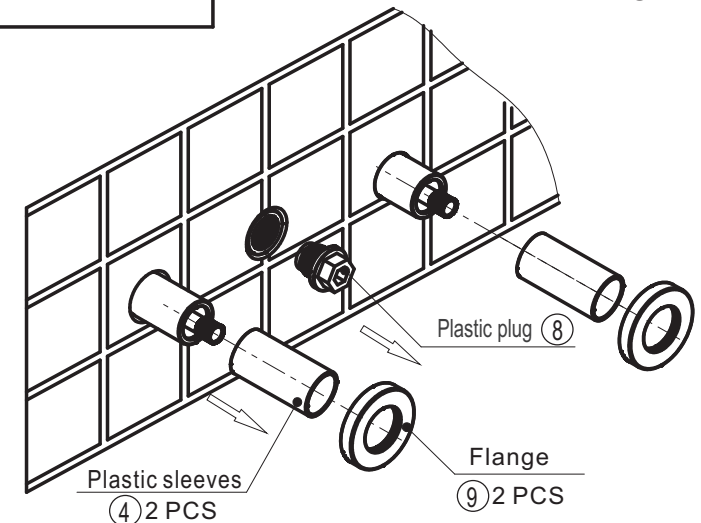
## INSTALLATION PROCEDURE

1. Prior to installing please ensure all the supply pipes have been flushed through to remove any debris, avoid cartridge damage or blockage.
2. Screw off No. 7 Handle Spindle by hand, and use No. 6 Allen Key to loose No. 11 M6 screw. Then take off No. 5 Handle.
3. Connect Cold and Hot inlet pipes to G 1/2 female thread of valve body (Use PTFE tape or glue it).
4. Fixed valve body in the wall via No. 2 Rawl plug and No. 3 Screw.
5. Make sure No. 8 Plug tighten screw, then turn on Cold and Hot water supply, and check if any leaking on the connect part. If no leaking, cover No. 4 Sleeves.
6. As shown in the Figure I, decorating wall
7. Take off two No. 4 Sleeves and No. 8 Plug
8. Put the two No. 9 Flanges

● Figure I

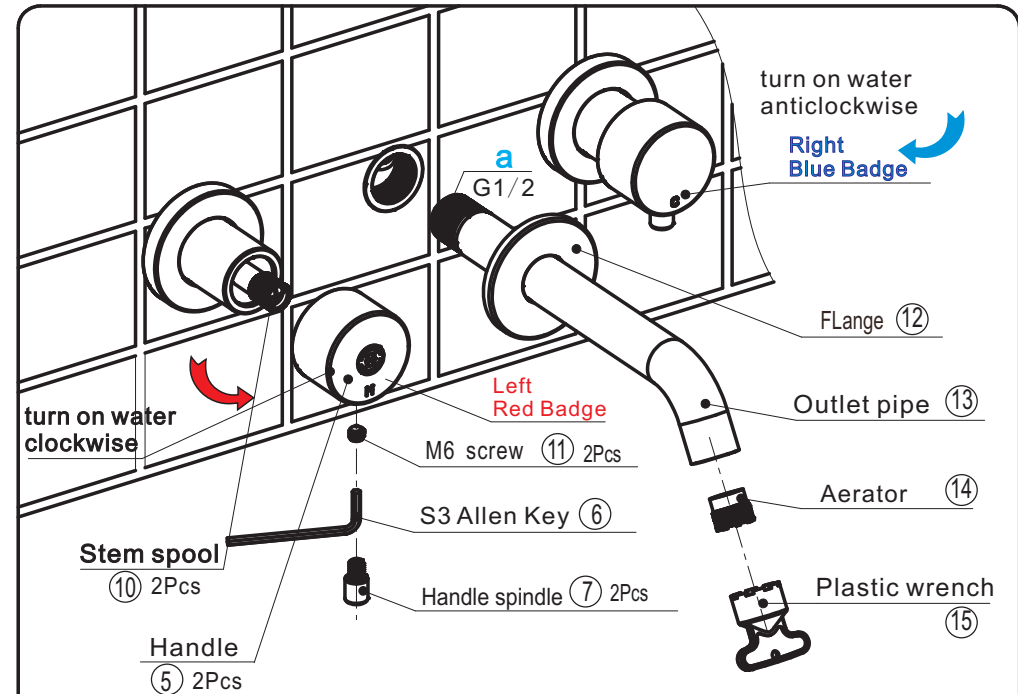


● Figure II



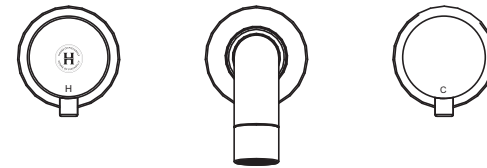
# Installation and operation instruction

9. As shown in the Figure III, turn the handles and make sure all valves are closed, no water come out. Then take off handles and re assemble handle, keep red and blue indicates in the middle.
10. Use No. 6 S3 Allen Key to tighten No. 11 M6 screw, and last screw on No. 7 Handle Spindle by hand.
11. Outlet pipe 13 pass through Flange 12, wrap PTFE tape on a part or glue a part, then screw into G 1/2 female thread in the wall. Last flush push Flange to the wall.
12. Connect cold and hot water, and check all water feed connections to ensure there are no leaks.

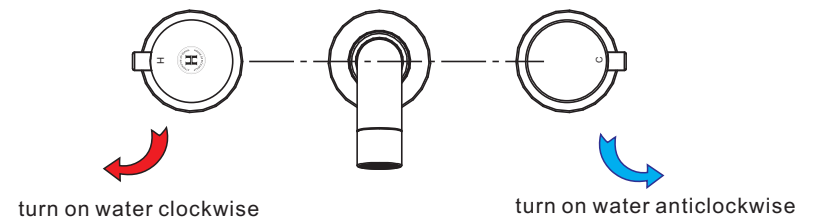


● Figure III

Below figure shows turn off



Below figure shows turn on



## Use and maintenance Figure III

**1. After using for a period of time, if the handle loosened or shaking, the maintenance can be carried out according to the following methods:**

1. 1. Screw off the handle spindle by hand, and then tighten the M6 screw with S3 Allen Key.
1. 2. Turn the handle to check whether the handle still shakes. If not, install the handle spindle.

2, After a period of use, if the flow rate is poorer. Please use No. 17 Wrench to screw out No. 16 Aerator, and flush aerator, then fix back.