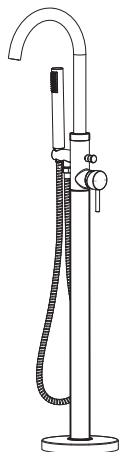




Installation and operation instruction

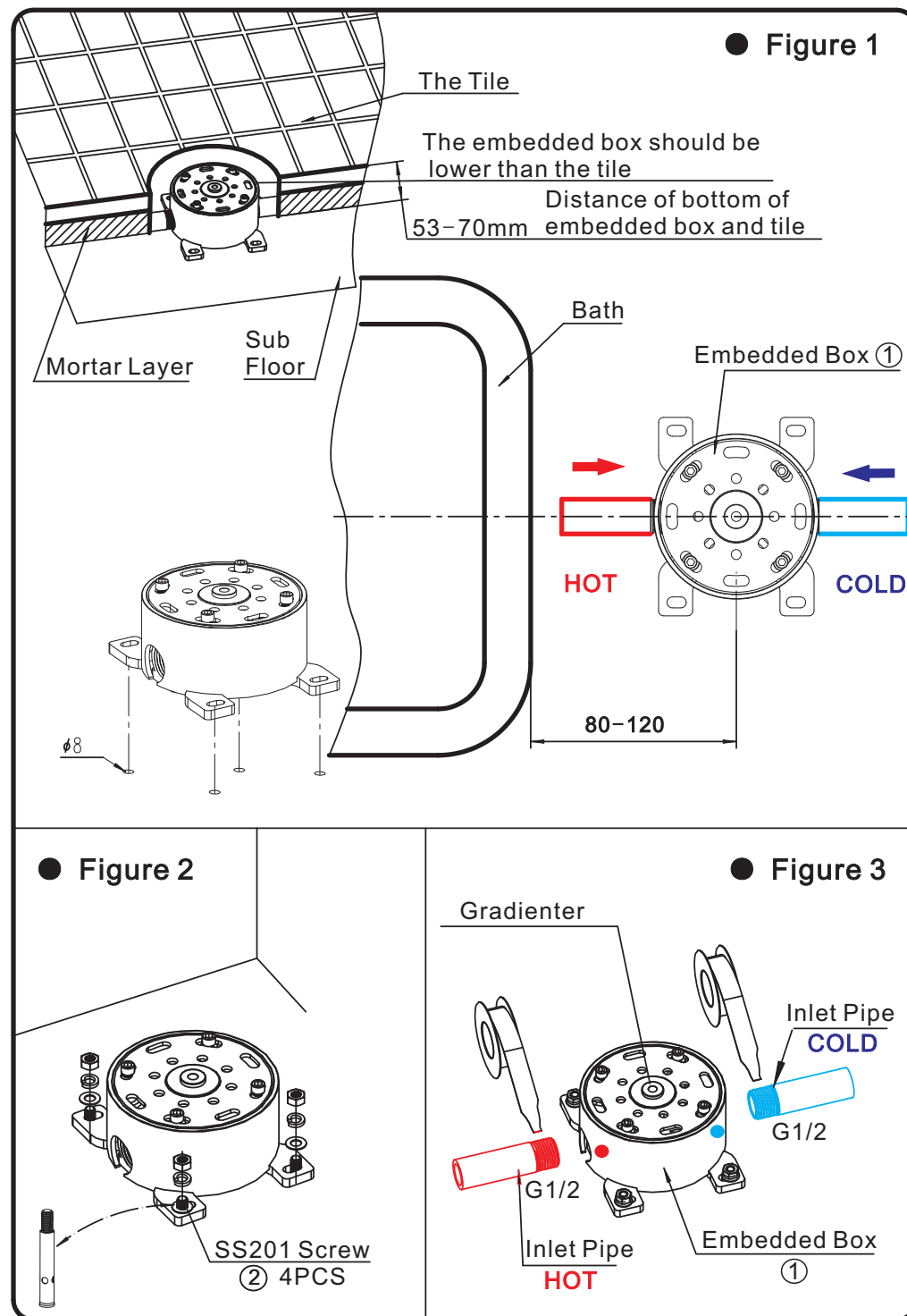


Guarantee & Aftercare

When installing or using tools, extra care must be taken to avoid damaging the finish or fitting. To maintain the appearance, please ensure it is cleaned regularly using a clean soft damp cloth only. Abrasive cleaners or detergents must not be used as they may cause surface deterioration. The company provides a guarantee against faulty material or manufacture excluding serviceable parts, providing they have been installed, cared for and used in accordance with our instructions.

INSTALLATION PROCEDURE

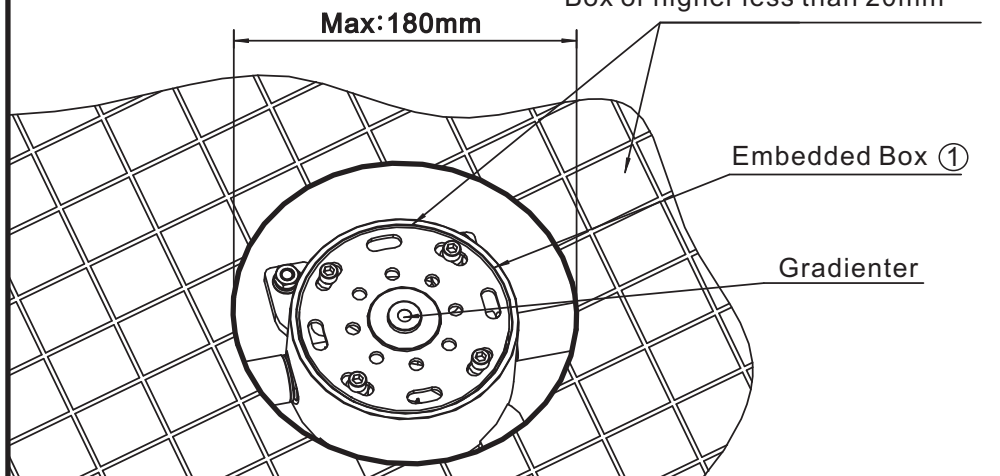
1. Prior to install please ensure all the supply pipes have been rinsed to remove any debris, avoid cartridge damage and blockage.
2. As is shown in the Fig. 1, drill a hole and tube seat on the sub floor.
3. Drill 4 holes with diameter $\phi 8$ mm and 50mm depth.
4. As is shown in the Fig. 2, knock SS201 Screws into the holes, and tighten fit embedded box.
5. As is shown in the Fig. 3, connect cold and hot pipe to embedded box, adjust direction and location, then use Allan key to screw tighten it.
6. Turn on cold and hot water supply, check if any leakage on connection part.



7. Decorate the sub floor (Tile Fixing).

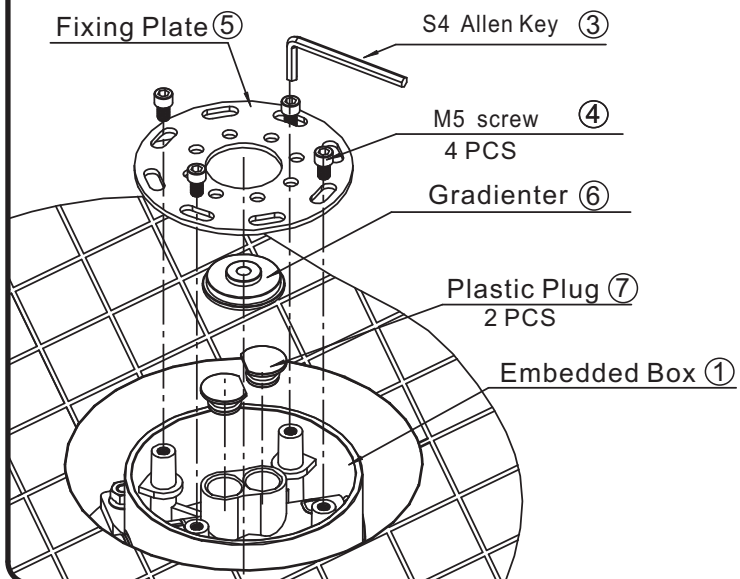
● Figure 4

The tile is fit flush with Embedded Box or higher less than 20mm



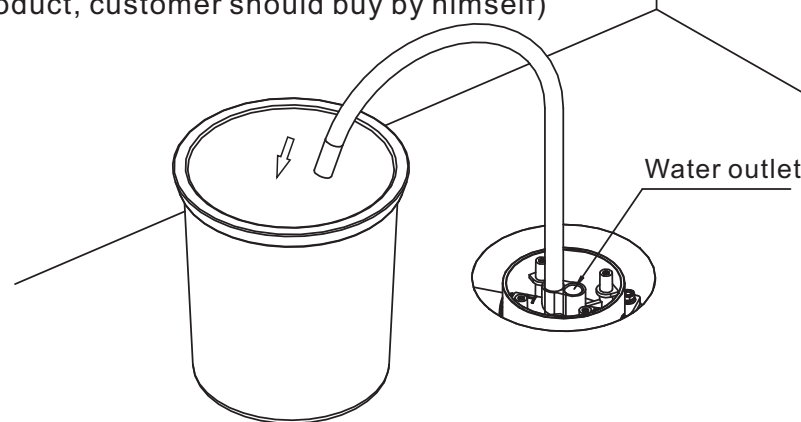
8. Use Allen Key S4 to screw off 4xM5 screws, and take out Part5,6,7.

● Figure 5



9. Turn on cold and hot water supply, rinse the pipes (Note: the pipe not supply with product, customer should buy by himself)

● Figure 6

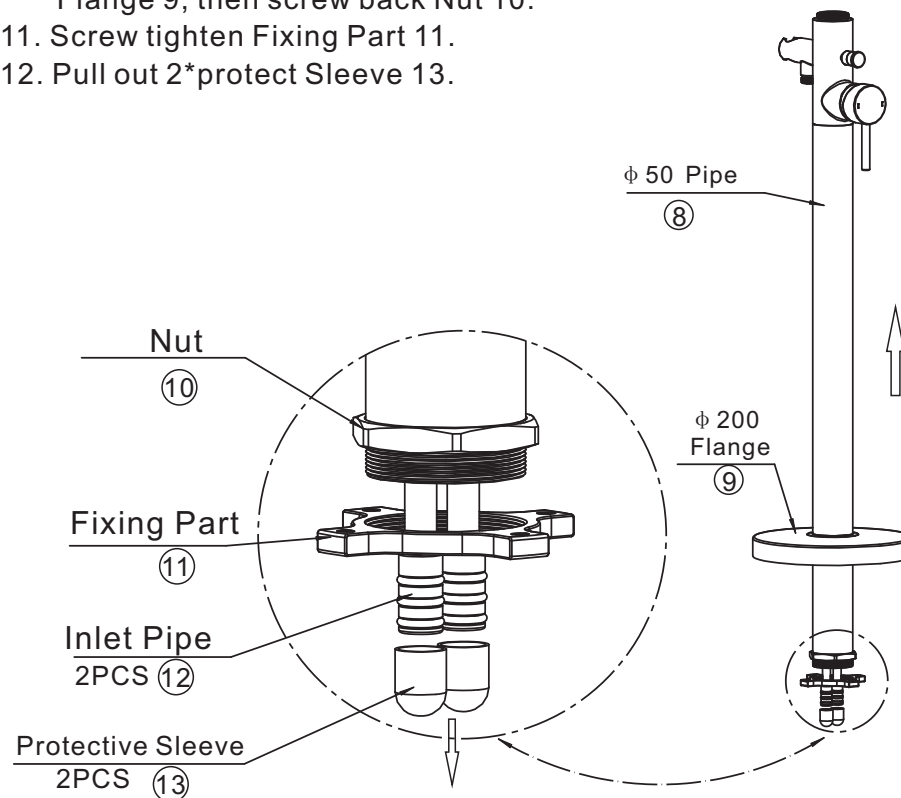


10. Screw off Nut 10, let the pipe go through Flange 9, then screw back Nut 10.

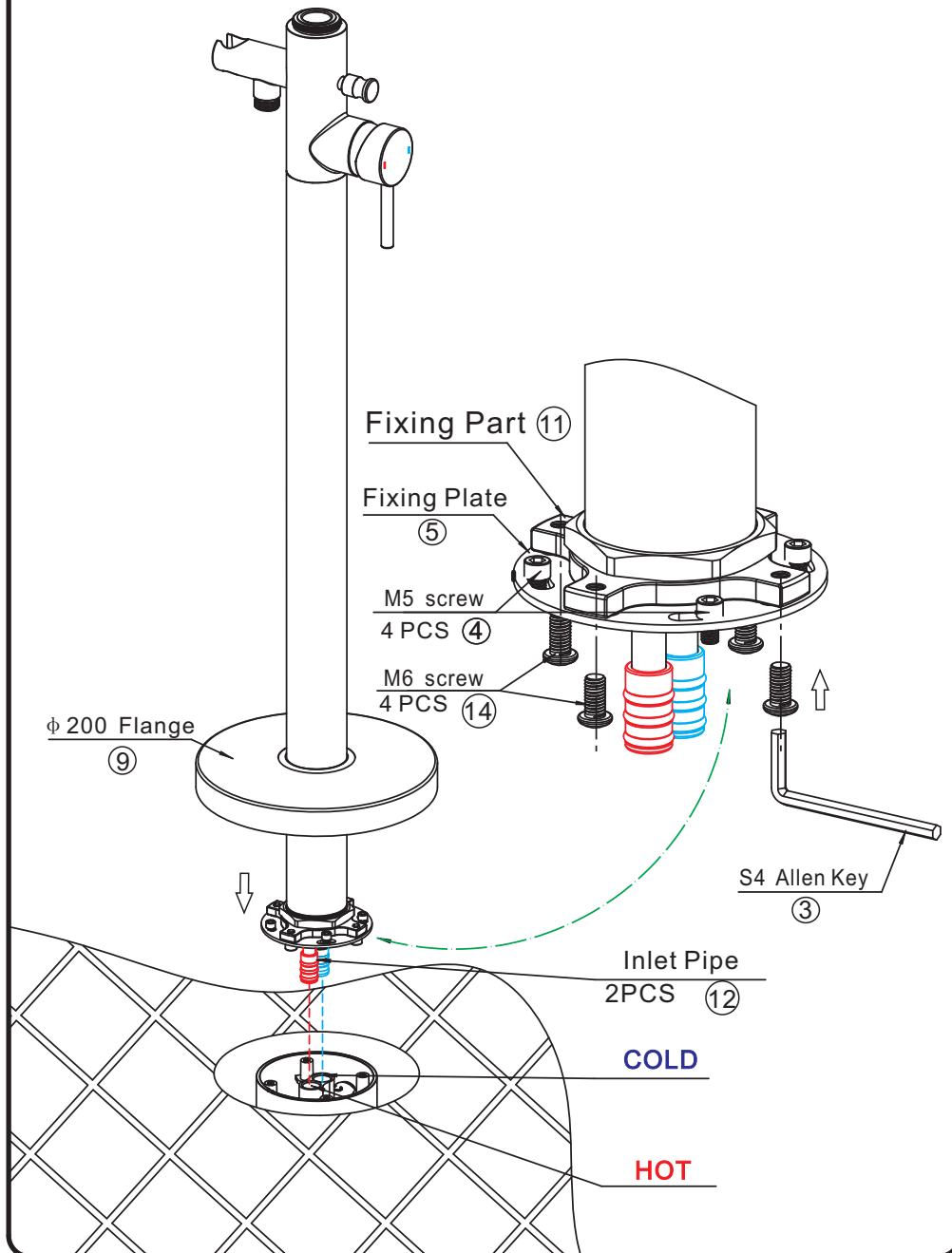
11. Screw tighten Fixing Part 11.

12. Pull out 2*protect Sleeve 13.

● Figure 7

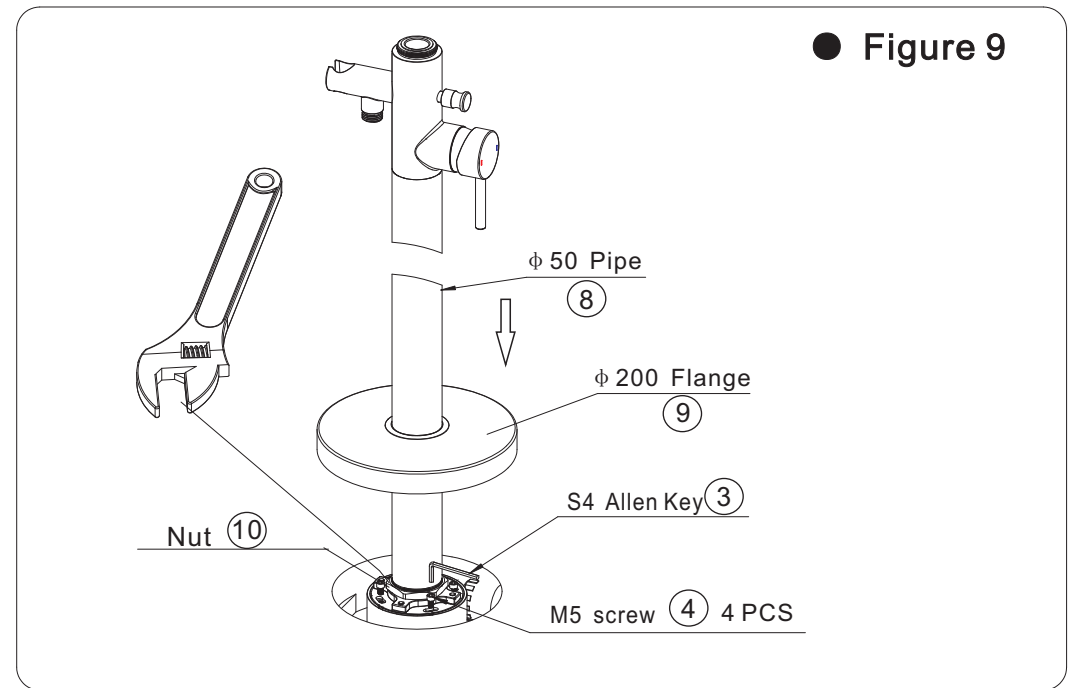


● Figure 8

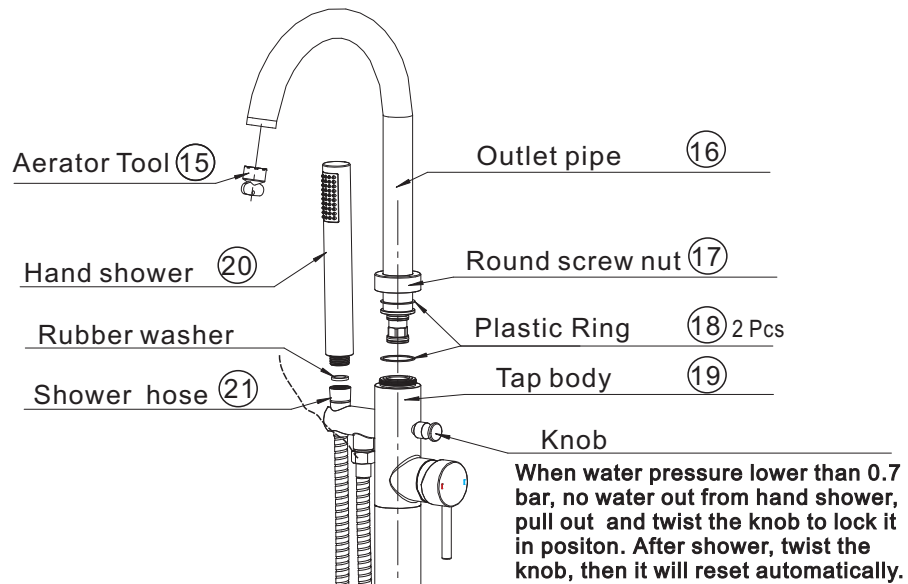


13. As is shown in the Fig.8, use Allen Key S4 screw tighten M6 Screw 14 to fix Fixing Part 11.
14. Insert cold and hot inlet pipes 12 into outlet holes of the embedded box(Note make sure cold and hot pipe connect to correct outlet hole).
15. As is shown in the Fig.9, use Allen Key S4 to screw tighten 4* M5 screws.
16. Use wrench to tighten Nut 10, then put Flange 9 on the floor.

● Figure 9



● Figure 10



17. Insert Spout Pipe 16 to Tap Body 19, ensure 2*plastic rings are assembled, then screw on Screw Nut 17.
18. Connect Shower Hose 21 to hand set and bracket.
19. Turn on water supply and check if any leakage.

Maintenance

1. When using for some time, the flow rate of water is smaller, use Aerator Tool 15 to screw off aerator and rinse it.
2. If the handle is wonky, please tighten it as below Fig.11 shows: Screw off handle spindle by hand, use Allen Key S2.5 to tighten screw M5.

● Figure 11

