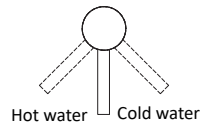
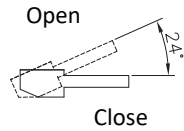


How to use

1. Open the handle and control the water flow.
2. Move the handle left and right to control the temperature of cold and hot mixed water, left side increase of cold water and right side increase of hot water.
3. Press down the handle to shut off water flow.



Maintenance & Care

To avoid damage it is necessary to consider the below guidelines.

1. To clean the mixers surface use clean hot soapy water. ONLY use soft fabric cloths.
2. DO NOT use cleaning solutions that contain hydrochloric acid, formic acid, concentrated caustic soda, chlorine or acetic acid as they can cause considerable damage.
3. DO NOT use any coarse cleaning powders or brushes to clean the mixer.
4. If there is irregular water pressure & water flow is reduced, please check if the spout is clean, if not brush the spout after vinegar soaking.

Warranty Requirements

For full warranty terms and conditions please visit the warranty section of our website. Please pay attention to the below. Failure to do so will void your warranty:

1. Do not use acid cleansers
2. Do not use abrasive cleansers
3. Do not use abrasive cloths

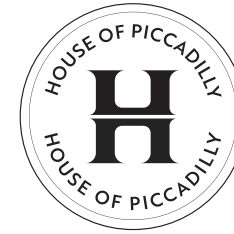
Troubleshooting

Fault: Hot is coming out when I select cold or vice versa:
Cause: Hot and cold pipes are connected the wrong way **round**.

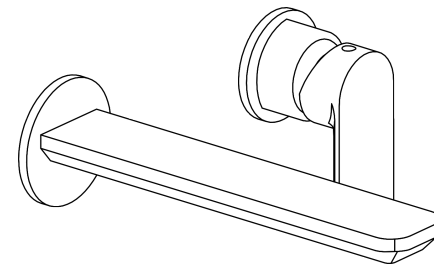
Fault: Fluctuating flow rate:
Cause: Possible blockage in the system or operating conditions is incorrect.

Fault: Low or no flow from the valve:
Cause: Possible blockage in the system, operating conditions **are** incorrect or there is a blockage in the system.

Fault: Leak from the valve:
Cause: The holder isn't inserted to the bottom.



Installation Guide 2 Hole Wall Mounted Basin Mixer HARLEY -311



Important Information

It is recommended that this product is installed by a qualified professional.

Please remove all packaging and check this product to ensure it has not been damaged or any parts are missing.

Before installing please make sure this is the correct model and you have all the parts required for installation and usage.

The printed picture is for reference only, this product is according to the actual goods.

Please check all the accessories are present.

(1) Main Body (2) Base Ring (3) Flexible Pipes (Red & Blue).

Always read these instructions carefully and keep for future reference.

Operating Information

Operating Pressure

Minimum operating pressure 0.5 bar

Maximum operating pressure 8 bar

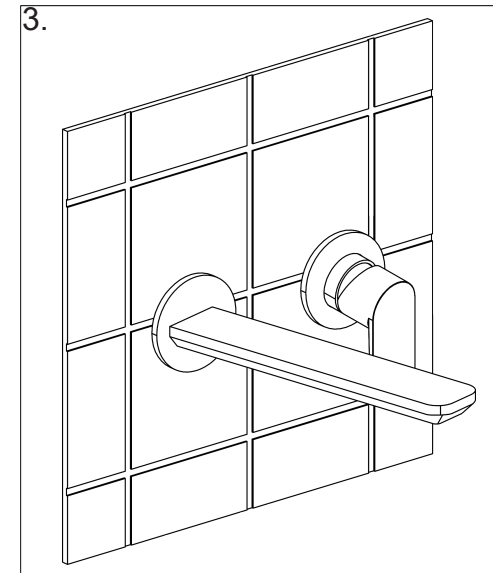
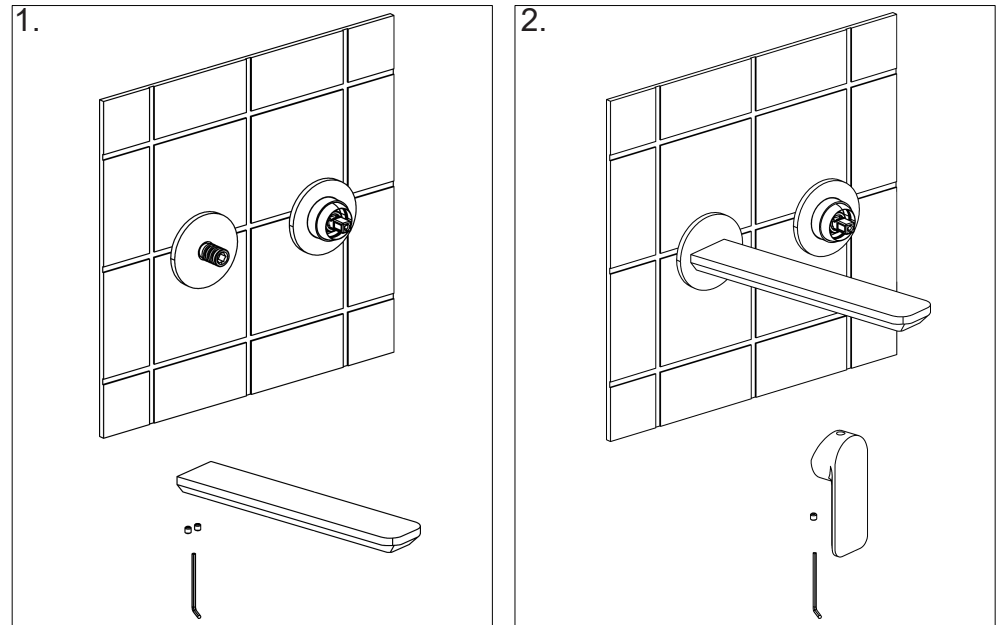
Pre-Installation

1. Before installing the mixer, flush through the pipe work to remove any debris & other impurities that can enter the tap.
2. Turn off water supply at the isolation valves before commencing with work.
3. To avoid damage, please make sure the water inlet flexible pipes are not twisted when in use.

Installation

Get all accessories ready according to picture (1) the left hose (red) is for hot water inlet, and the right hose (blue) is for cold water inlet. Please install one hose at a time.

1. Please install the mixer to basin by using the base ring, install the second hose to the mixer body too.
2. Please connect two water inlet hoses to the angle valve by the hot and cold water indicates on the mixer handle.
3. Fix the mixer into desired place & tighten fixings so the mixer is secure.
4. After fixing the mixer, turn on to check if there is any leaking.



PLEASE MAKE SURE YOU FULLY TEST YOUR PRODUCT BEFORE TILING ETC.
WE WILL NOT BE RESPONSIBLE FOR ANY COSTS INVOLVED IN REMOVAL OF
THE TAP IF YOU FIND THERE IS A FAULT.