



# CR20-H

## Parts List & Kits

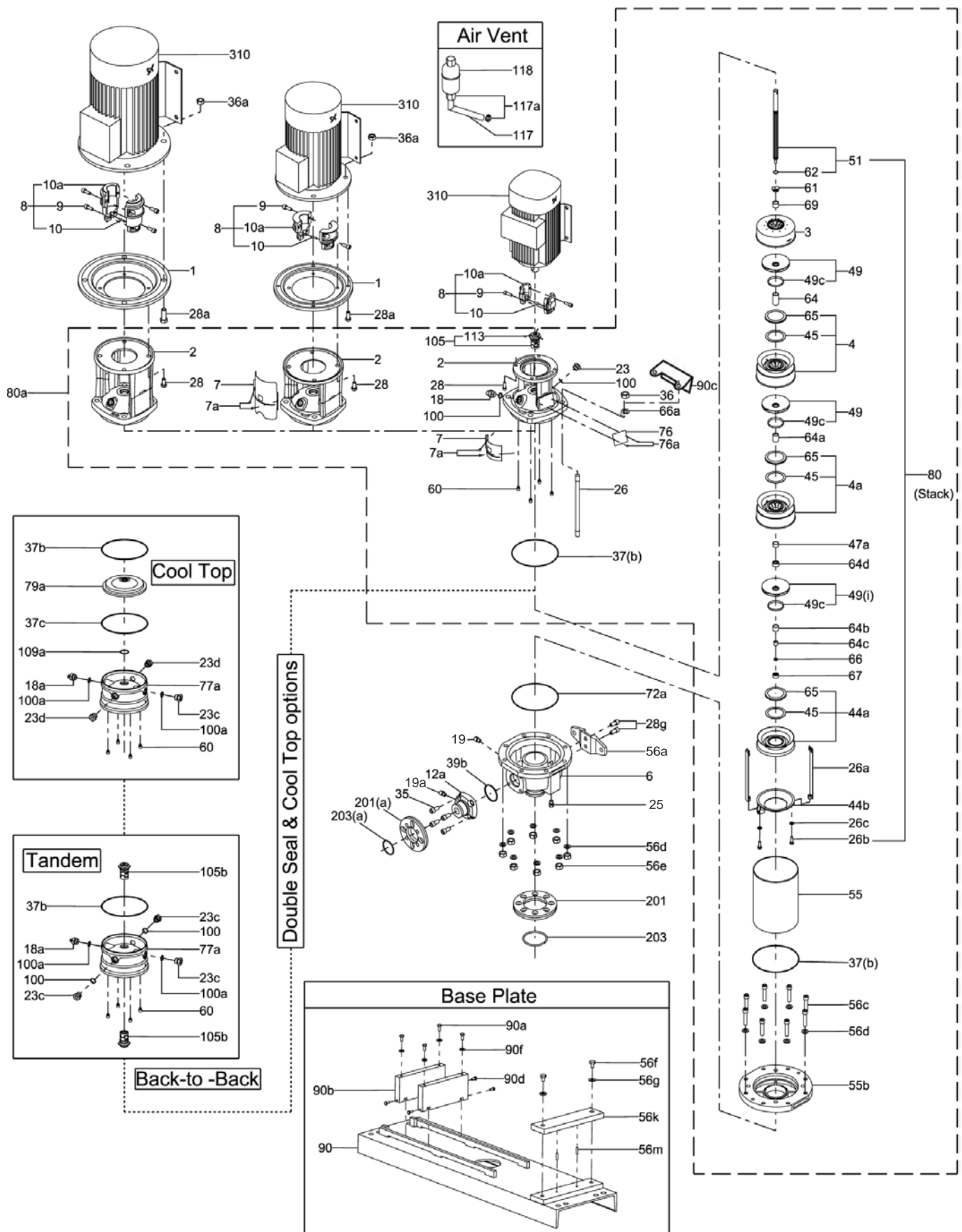
---

Contents

Parts List  
Spare Part Kits  
Accessories  
Special Tools  
Standard Tools  
Tools for Torques



# Exploded View CR20-H



TM047924

# Parts List & Kits CR20-H

Pos. No.	Part Description	Model	Stages	No. Used	Comments/Dimensions	B.O.M. Ref. No.	Material No.	Included in kits ?
----------	------------------	-------	--------	----------	---------------------	-----------------	--------------	--------------------

## PARTS LIST

1	Adapter for Motor Stool		3-4	1	For NEMA, 213/215TC, 7.5 - 10HP	96476208		No
2	Motor Stool		5-8	1	For NEMA, F254TC, 15-20HP	96486329		No
				1	NEMA, 56C, .75 - 2.0HP	96486287		No
			2/1-2	1	NEMA, 182TC, 3 -5Hp (High)	96486311		No
			3-4	1	Add Pos. 1 NEMA 213/215TC, 7.5-10HP (High)	96486311		No
			5-8	1	Add Pos. 1 for NEMA 254/256TC, 15-20HP	96486311		No
			10	1	NEMA, 284/286TSC, 25HP	96486293		No
3	Chamber, Top, Complete with guide vane		2-17	*1	Slotted to accept Strap, Pos. 26a	96487786		No
3a	Chamber N, Top, without guide vane		2/1	*1	Slotted to accept Strap, Pos. 26a	96491222		No
3b	Chamber without guide vane		3-17	*1		330015		No
4	Chamber complete w/guide vane and Pos. 45 & 65		3-17	^^^	PTFE Pos. 45	96475765		No
4a	Chamber N Cpl. w/Pos. 45 & 65 & Bearing Chamber N Cpl. w/Pos. 45 & 65 & Brg. (option) Chamber N Cpl. w/Pos. 45 & 65 & Brg. (option)		2/1-17	^^^^	Silicon Carbide Brg, PTFE Pos. 45	96747342		YES
			2/1-17	^^^^	Graflon Bearing, PTFE Pos. 45	96492510		YES
			2/1-17	^^^^	Bronze Bearing, PTFE Pos. 45	96492512		YES
			2/1-17	^^^^				
6	Volute, suction / discharge base		2/1-17	1	GA, 1.5" suction (OD=76mm), 4 hole dis. adapter	95922001		No
			2/1-17	1	G05/G22, 2" suction (OD=90mm) 4 hole dis.adapter	95922000		No
			2/1-17	1	GB&C/G10/G50/G60, 3" suc. (OD=120), 6 hole dis. adap.	95922002		No
7	Coupling Guard		2/1-17	2	NEMA-56C	96491002		YES
7a	Screw for Coupling Guard		2/1-17	4	Screw comb. slot torx/straight slot 4 x 8mm	96490656		YES
9	Allen Screw		2/1-17	4	M6 x 20mm, Delta Tone/Seal	001D7899		YES
10	Shaft Pin		2/1-17	1	M10 x 25mm, Delta Tone/Seal	001D7901		YES
10a	Coupling Half (machined set)		2/1-17	1	Ø5 x 26mm	310192	95061337	YES
				1	NEMA, 56C, 1/3 - 2HP. Ø15.9/ Ø16mm	96516777		YES
			2/1-2	1	NEMA, 182/184TC, 3-5HP. Ø28.6/Ø16mm (High)	96516009		YES
			3-4	1	NEMA, 213TC, 7.5-10HP. Ø34.9/Ø16mm (High)	96516770		YES
			5-8	1	NEMA, 254TC, 15-20HP. Ø41.2/Ø16mm (High)	96516771		YES
			10	1	NEMA, 284/286TSC, 25HP. Ø41.2/Ø16mm	96516771		YES
12a	Discharge Adapter		2/1-17	1	GA, 4 hole flange, OD=55mm, ID=26mm (1.0"), L=60mm	95922007		No
			2/1-17	1	G05, 4 hole flange, OD=55mm, ID=26mm (1.0"), L=111mm	95922008		No
			2/1-17	1	G22, 4 hole flange, OD=90mm, ID=50mm (2"), L=85mm	95922016		No
			2/1-17	1	GB, 6 hole flange, OD=76mm, ID=49mm (1.5"), L=65mm	95922009		No
			2/1-17	1	GC, 6 hole flange, OD=90mm, ID=49mm (2"), L=65mm	95922010		No
			2/1-17	1	G50, 6 hole flange, OD=76mm, ID=41mm (1.5"), L=116mm	95922011		No
			2/1-17	1	G10, 6 hole flange, OD=90mm, ID=50mm (2"), L=110mm	95922012		No
			2/1-17	1	G60, 6 hole flange, OD=90mm, ID=50mm (2"), L=142mm	95922013		No
			2/1-17	1	G20, 6 hole flange, OD=76mm, ID=40mm (1.5"), L=166mm	95922014		No
			2/1-17	1	G30, 6 hole flange, OD=90mm, ID=50mm (2"), L=192mm	95922015		No
			2/1-17	1	G50, 6 hole flange, OD=76mm, ID=47mm (1.5"), L=96mm	96834136		No
			2/1-17	1	G10, 6 hole flange, OD=90mm, ID=56mm (2"), L=90mm	96834137		No
			2/1-17	1	G60, 6 hole, flange, OD=90mm, ID=55mm (2"), L=122mm	96834138		No
			2/1-17	1	G20, 6 hole flange, OD=76mm, ID=46mm (1.5"), L= 46mm	96834139		No
			2/1-17	1	G30, 6 hole flange, OD=90mm, ID=54mm (2"), L=172mm	96834140		No
2/1-17	1	G70/33, 6 hole flg,OD=120mm, ID=80mm (3"), L=110mm	95922017		No			
18(a)	Priming/Vent Plug		2/1-17	*	G 1/2A, NV24 with NV9 x M8 stem	405150	95061351	YES
19	(Suction) Pressure tap plug		2/1-17	1	1/4" NPT,SS SQHD	001D7216		No
19a	(Discharge) Pressure tap plug		2/1-17	1	1/4" NPT,SS SQHD	001D7216		No
23, 23c	Plug		2/1-17	*	G 1/2A, NV24, solid	370025	95061733	No
25	Drain plug		2/1-17	1	1/4" NPT,SS SQHD	001D7216		No
26	Staybolt		2/1-2	4	M16 x 150mm	96922785		No
			3	4	M16 x 196mm	96922788		No
			4	4	M16 x 241mm	96922792		No
			5	4	M16 x 286mm	290247		No
			6	4	M16 x 327mm	350179		No
			7	4	M16 x 376mm	96922799		No
			8	4	M16 x 415mm	370134		No
			9	4	M16 x 467mm	96922804		No
			10	4	M16 x 506mm	96922806		No
			12	4	M16 x 596mm, 4 pole & 50 Hz.	96922810		No
			14	4	M16 x 686mm, 4 pole & 50 Hz.	96922814		No
			17	4	M16 x 827mm, 4 pole & 50 Hz.	370981		No
			2/1-2	4	M16 x 241mm	96922792		No
			3	4	M16 x 286mm	290247		No
			4	4	M16 x 333mm	370133		No
			5	4	M16 x 376mm	96922799		No
			6	4	M16 x 415mm	370134		No
			7	4	M16 x 467mm	96922804		No
			8	4	M16 x 506mm	96922806		No
			9	4	M16 x 550mm	96922808		No
10	4	M16 x 596mm	96922810		No			
12	4	M16 x 686mm, 4 pole & 50 Hz.	96922814		No			
14	4	M16 x 776mm, 4 pole & 50 Hz.	290254		No			
17	4	M16 x 916mm, 4 pole & 50 Hz.	290256		No			
26a	Strap		2/1-2	2	L* = 93.5mm x 20.3mm x 1.3mm, 316 SS, M8 nut	96487759		No
			3	2	L* = 138.5mm x 20.3mm x 1.3mm, 316 SS, M8 nut	96487761		No
			4	2	L* = 183.5mm x 20.3mm x 1.3mm, 316 SS, M8 nut	96487763		No

Due to part changes over time, all position numbers (1-203) may not be used.

This column indicates which pump model uses the spare part. If blank, the part is used in all models.

B.O.M. Ref. No. is only available if it is not included in a kit or does not have a material number listed. If it is included in a kit (YES), or has a material number, request one of these numbers. If not included in a kit (No), but has a Material Number, use Material Number.

# Parts List & Kits CR20-H

Pos. No.	Part Description	Model	Stages	No. Used	Comments/Dimensions	B.O.M. Ref. No.	Material No.	Included in kits ?
----------	------------------	-------	--------	----------	---------------------	-----------------	--------------	--------------------

## PARTS LIST

26a	Strap (continued)		5	2	L* = 228.5mm x 20.3mm x 1.3mm, 316 SS, M8 nut	96487765		No
			6	2	L* = 273.5mm x 20.3mm x 1.3mm, 316 SS, M8 nut	96487767		No
			7	2	L* = 318.5mm x 20.3mm x 1.3mm, 316 SS, M8 nut	96487769		No
			8	2	L* = 363.5mm x 20.3mm x 1.3mm, 316 SS, M8 nut	96487770		No
			9	2	L* = 408.5mm x 20.3mm x 1.3mm, 316 SS, M8 nut	96487772		No
			10	2	L* = 453.5mm x 20.3mm x 1.3mm, 316 SS, M8 nut	96487774		No
			12: 4 pole	2	L* = 543.5mm x 20.3mm x 1.3mm, 316 SS, M8 nut	96487776		No
			14: 4 pole	2	L* = 633.5mm x 20.3mm x 1.3mm, 316 SS, M8 nut	96487780		No
			17: 4 pole	2	L* = 768.5mm x 20.3mm x 1.3mm, 316 SS, M8 nut	96487782		No
			26b	Bolt for Pos. 26a		2/1-17	2	M8 x 25mm, 316 SS w/Delta Tone/Seal
26c	Washer for Pos. 26b		2/1-17	2	A4, $\phi 16.0/\phi 8.4 \times 1.6$ mm	001D3284		No
28	Motor Bolt		2/1-2	4	NEMA, 56C, 1/3 - 2HP, UNC 3/8" x 25mm	001D1839		No
			3-4	4	NEMA, 182/184TC, 3 - 5HP, UNC 1/2" x 25mm	001D1840		No
			5-8	4	NEMA, 213TC, 7.5 - 10HP, JR 1/2" x 1.25" UNC	001D0185		No
			10	4	NEMA, 254TC, 15-20HP, 1/2" x 2.5" UNC	96491112		No
			10	4	NEMA, 284TC, 25HP, UNC 1/2" x 25mm	001D1840		No
28g	Bolt for Foot 56a & Volute Pos. 6 (GA, GB, GC)		2/1-17	2	M12 x 20mm, low hex head, 8.8 Alloy Steel, Delta Tone/Seal	95922047		No
			2/1-17	2	M12 x 20mm, 8.8 Alloy Steel, Delta Tone/Seal	95922048		No
35	Bolt for Discharge Adapter Pos. 12a (GB, GC)		2/1-17	6	M12 x 22mm Socket Head Cap Screw, Delta Tone/Seal	95922049		No
			2/1-17	4	M12 x 25mm Socket Head Cap Screw, Delta Tone/Seal	95922050		No
36	Staybolt Nut		2/1-17	4	24mm x M16, Delta Tone/Seal	001D7908		No
37(b)	Sleeve O-ring		2/1-17	◆◆	EPDM, $\phi 170.7 \times 3.3$ mm	96483101		YES
			2/1-17	◆◆	FKM, $\phi 170.7 \times 3.3$ mm	96483102		YES
			2/1-17	◆◆	FXM, $\phi 171.25 \times 3.3$ mm	96483109		YES
			2/1-17	◆◆	FFKM, $\phi 170.7 \times 3.3$ mm	96483140		YES
39b	O-ring for Discharge Adapter flange Pos.12a		2/1-17	1	EPDM, Parker 2-238 $\phi 88.5 \times 3.5$ mm	95922035		YES
			2/1-17	1	FKM, Parker 2-238 $\phi 88.5 \times 3.5$ mm	95922036		YES
			2/1-17	1	FXM, Parker 2-238 $\phi 88.5 \times 3.5$ mm	95952037		YES
			2/1-17	1	FFKM, Parker 2-238 $\phi 88.5 \times 3.5$ mm	95131207		YES
44a	Inlet upper with Pos. 45 & 65		2/1-17	1		96489038		No
44c	Inlet upper with Pos. 45 & 65 (Low NPSH option)		2-17	1		96491227		No
44b	Inlet lower, machined		2/1-17	1		96488000		No
45	Neck Ring		2/1-17	# imp.-	$\phi 75.8 \times \phi 59.95 \times 1.5$ mm, PTFE-Acoflon 100	96487400		YES
			2/1-17	1	$\phi 88.0 \times \phi 66.2 \times 2.2$ mm, PTFE-Acoflon 215	290091		No
47a	Bearing Ring/Spacer		2/1-17	^^^^	SiC 150, $\phi 23.4 \times \phi 17.6 \times \phi 15.0 \times 14$ mm	96763100		YES
			2/1-17	^^^^	TC, $\phi 21.9 \times \phi 17.6 \times \phi 15.0 \times 14$ mm	330085	95061371	YES
49	Impeller		2/1-17	# stgs-	$\phi 104.8 \times \phi 59.85 \times 25.4$ mm (back-plate 1.5mm)	96476526	97789969	No
49c	Wear Ring N for Impeller 49		2/1-17	# stgs-	$\phi 59.85 \times 7.4$ mm	330054		YES
49c	Wear Ring N for Low NPSH Impeller 49i		2/1-17	1	$\phi 66.0 \times 8.5$ mm	290049		No
49i	Impeller N (Low NPSH option)		2-17	1	$\phi 118.8 \times \phi 66.0 \times 32.2$ mm	96521444		No
51	Shaft, Complete		2/1-2	1	$\phi 16 \times 209.0$ mm, 431 SS	96490794		No
			3	1	$\phi 16 \times 249.0$ mm, 431 SS	96490798		No
			4	1	$\phi 16 \times 299.0$ mm, 431 SS	96490872		No
			5	1	$\phi 16 \times 339.0$ mm, 431 SS	96490876		No
			6	1	$\phi 16 \times 389.0$ mm, 431 SS	96490880		No
			7	1	$\phi 16 \times 429.0$ mm, 431 SS	96490884		No
			8	1	$\phi 16 \times 479.0$ mm, 431 SS	96490886		No
			9	1	$\phi 16 \times 519.0$ mm, 431 SS	96490888		No
			10	1	$\phi 16 \times 564.0$ mm, 431 SS	96490892		No
			12	1	$\phi 16 \times 659.0$ mm, 431 SS, 4 pole & 50 Hz.	96490896		No
			14	1	$\phi 16 \times 744.0$ mm, 431 SS, 4 pole & 50 Hz.	96490910		No
			17	1	$\phi 16 \times 879.0$ mm, 431 SS, 4 pole & 50 Hz.	96490915		No
			2/1-2	1	$\phi 16 \times 299.0$ mm, 329 SS	96507538		No
			3	1	$\phi 16 \times 339.0$ mm, 329 SS	96507570		No
			4	1	$\phi 16 \times 389.0$ mm, 329 SS	96507572		No
			5	1	$\phi 16 \times 429.0$ mm, 329 SS	96507574		No
			6	1	$\phi 16 \times 479.0$ mm, 329 SS	96507576		No
7	1	$\phi 16 \times 519.0$ mm, 329 SS	96507578		No			
8	1	$\phi 16 \times 569.0$ mm, 329 SS	96507579		No			
9	1	$\phi 16 \times 609.0$ mm, 329 SS	96507580		No			
10	1	$\phi 16 \times 654.0$ mm, 329 SS	96507582		No			
12	1	$\phi 16 \times 749.0$ mm, 329 SS, 4 pole & 50 Hz.	96507584		No			
12: 4 pole	1	$\phi 16 \times 777.0$ mm, 329 SS (Low NPSH option) 50 Hz	96551867		No			
14	1	$\phi 16 \times 834.0$ mm, 431 SS, 4 pole & 50 Hz.	96507586		No			
17	1	$\phi 16 \times 969.0$ mm, 431 SS, 4 pole & 50 Hz.	96507588		No			
17: 4 pole	1	$\phi 16 \times 1014.0$ mm, 431 SS, Low NPSH & 50 Hz.	96529710		No			
55	Sleeve		2/1-2	1	$\phi 171.1/\phi 170.7 \times 104.0$ mm x 1.5mm, 304 SS	96489762		No
			3	1	$\phi 171.1/\phi 170.7 \times 149.0$ mm x 1.5mm, 304 SS	96489764		No
			4	1	$\phi 171.1/\phi 170.7 \times 194.0$ mm x 1.5mm, 304 SS	96489766		No
			5	1	$\phi 171.1/\phi 170.7 \times 239.0$ mm x 1.5mm, 304 SS	96489767		No
			6	1	$\phi 171.1/\phi 170.7 \times 284.0$ mm x 1.5mm, 304 SS	96489769		No
			7	1	$\phi 171.1/\phi 170.7 \times 329.0$ mm x 1.5mm, 304 SS	96489771		No
			8	1	$\phi 171.1/\phi 170.7 \times 374.0$ mm x 1.5mm, 304 SS	96489772		No
			9	1	$\phi 171.1/\phi 170.7 \times 419.0$ mm x 2.0mm, 316 SS	96489857		No
			10	1	$\phi 171.1/\phi 170.7 \times 464.0$ mm x 2.0mm, 316 SS	96489831		No
			12: 4 pole	1	$\phi 171.1/\phi 170.7 \times 554.0$ mm x 2.0mm, 316 SS	96489833		No

Due to part changes over time, all position numbers (1-203) may not be used.

This column indicates which pump model uses the spare part. If blank, the part is used in all models.

B.O.M. Ref. No. is only available if it is not included in a kit or does not have a material number listed. If it is included in a kit (YES), or has a material number, request one of these numbers. If not included in a kit (No), but has a Material Number, use Material Number.



# Parts List & Kits CR20-H

Pos. No.	Part Description	Model	Stages	No. Used	Comments/Dimensions	B.O.M. Ref. No.	Material No.	Included in kits ?
----------	------------------	-------	--------	----------	---------------------	-----------------	--------------	--------------------

## PARTS LIST

55	Sleeve (continued)		14: 4 pole 17: 4 pole	1	ø171.1/ ø170.7 x 644.0mm x 2.0mm, 316 SS	96489835		No
				1	ø171.1/ ø170.7 x 779.0mm x 2.0mm, 316 SS	96489836		No
55b	Sleeve flange		2/1-17	1	CR-H, CRN-H10, 15, 20, 316 SS	95131164		No
56a	Foot (Cast Iron) for Pos. 6 (GA, GB, GC)		2/1-17	1	H=21mm, W=198mm, ø16mm hole CL 142mm, C.I.	95922023		No
	Foot (Cast Iron) for Pos. 6 (G05, G10, G22, G50, G60)		2/1-17	1	H=98mm, W=300mm, ø16mm hole CL 248mm, C.I.	95922024		No
	Foot (Cast Iron) for Pos. 6 (C1, G20, G30)	254TC	2/1-17	1	H=142mm, W= 300mm, ø16mm hole CL 248mm, C.I.	96834143		No
56b(d)	Washer for bolt Pos. 56c		2/1-17	16	M12, 304 SS	001D3103		No
56c	Bolt for sleeve flange Pos. 55b		2/1-17	8	M12x1.75 x60mm, 12.9 Alloy Steel, Delta Tone/Seal	97672735		No
56e	Nut for bolt Pos. 56c		2/1-17	8	M12, NV19, 8.8 Steel, Delta Tone/Seal	001D7917		No
56f	Bolt for Pos. 90 (BP139 w/GA, BP245 G05/22)	182TC	2/1-2	2	Hex Hd.1/2 -13 UNC x 1" SAE 5, Zinc plated			YES
	Bolt for Pos. 90 (BP258 G05/22)	254/84TC	5-10	2	Hex Hd.1/2 -13 UNC x 1" SAE 5, Zinc plated			YES
	Bolt for Pos. 90 (BP148 w/GA, GB, BP252 G05/22)	213TC	3-4	2	Hex Head 1/2 -13 UNC x 1.25" SAE 5, Zinc plated			YES
	Bolt for Pos. 90 (XLBP4 w/GA, GB)	284TC	10	2	Hex Head 1/2 -13 UNC x 1.25" SAE 5, Zinc plated			YES
	Bolt for Pos. 90 (BP148 with GA/GB, Pos. 56k & m)	254TC	5-8	2	Hex Head 1/2 -13 UNC x 2.25" SAE 5, Zinc plated			YES
56g	Washer for bolt Pos. 56f		2/1-17	2	1/2" SAE, Zinc plated			YES
56k	Spacer for base Pos. 90	GA/GB	5-8	1	148BP 254T, L=200mm x H=25.4mm x W=78.2mm			YES
56m	Alignment pin	GA/GB	5-8	2	Slotted Spring Pin, ø3/16" x 1" ASME, Zinc plated			YES
60	Stack Compression Spring		2/1-17	4	ø11.0 x ø7.0 x 15.5mm, EPDM	96503070		YES
			2/1-17	4	ø11.0 x ø7.0 x 15.5mm, FKM	96503072		YES
60a	Stack Compression Spring (option)		2/1-17	4	ø11.0 x ø7.0 x 15.5mm, PTFE	96503071		YES
61	Stop spacer		2/1-17	1	ø22.0 x ø17.8 x ø15.11 x 11.8 x 6.8mm	96783511		YES
64	Spacing Pipe		3-17	^^^	ø21.5 x ø17.5 x 43.6mm	331407		No
64a	Spacing Pipe		2-17	^^^^	ø21.5 x ø17.5 x 17.0mm	331416		YES
64b	Spacing Pipe		2-17	^^^^	ø21.5 x ø17.5 x 5.0mm	331401		YES
64c	Clamp, Splined		2/1-17	1	ø21.5 x ø17.6 x ø15.0 x 12.7mm	96496311		YES
64d	Spacing Pipe		2/1-17	^^^^^^	ø21.5 x ø17.5 x 12.6mm	96491535		YES
64e	Spacing Pipe (Low NPSH option only)		2-17	^ +	ø21.5 x ø17.5 x 8.0mm	331411		No
64f	Spacing Pipe (Low NPSH option only)		2/1	^-	ø21.5 x ø17.5 x 18.0mm	96491536		No
64g	Spacing Pipe (de-staging 2 impellers option only)		3-17	1 per de-stg	ø21.5 x ø17.5 x 45.0mm (use with 3b only)	331408		No
65	Neck Ring Retainer		2/1-17	# stgs-	ø78.8 x ø61.5 x 6.7mm	330059	96547341	YES
	Neck Ring Retainer (Low NPSH option)		2-17	1	ø84.5 x ø67.8 x 4.6mm	290059		YES
66	Lock Washer Set for Shaft		2/1-17	1	ø13.5 x ø8.2 x 2.6mm	96417297		YES
66a	Washer for Staybolt		2/1-17	4	DIN 125A, ø30 x ø17 x 2.5mm, Delta Tone/Seal	96430378		No
67	Lock Nut for Shaft		2/1-17	1	13mm x M8	96496488		YES
69	Spacing Pipe		2-17	⊖	ø27.5 x ø17.5 x 27.5mm	96491537		No
69a	Spacing Pipe (de-staging option only)		2/1	1	ø21.5 x ø17.5 x 29.05mm (use with 3a only)	331404	95061499	No
72a	O-ring for Sleeve Flange Pos. 55b		2/1-17	1	EPDM, ø215.5mm	95922038		YES
			2/1-17	1	FKM, ø215.5mm	95922039		YES
			2/1-17	1	FFKM, ø215.5mm	95131208		YES
			2/1-17	1	FKM, ø215.5mm	95922040		YES
76	Nameplate		2/1-17	1	304SS, 60 x 45mm	96563333		No
76a	Rivet for Nameplate		2/1-17	2	304SS, ø3 x 5mm	96022882		No
77a	Pump Head Cover for Tandem Seal & Cool Top®		2/1-17	1	Cast Stainless	96505487		No
	Pump Head Cover for Back-to-Back		2/1-17	1	Cast Stainless	96505488		No
79a	Disc / Plate complete w/79b & c for Cool Top		2/1-17	1	Cast Stainless	96511281		No
79b	Bushing for Disc / Plate 79a		2/1-17	1	Graflon	96505571		No
79c	Retaining Ring for 79b		2/1-17	1	Stainless	96510985		No
90	Main Support Baseplate	GA/GB	2/1-2	1	BP. Cpl.139, L=991mm x W=305mm x H=106.5mm	96956336		YES
		GA/GB	3-5	1	BP. Cpl.148, L=1219mm x W=381mm x H=107.9mm	96956346		YES
		G05/22	2/1-2	1	BP. Cpl.245, L=1143mm x W=305mm x H=106.5mm	96956341		YES
		G05/22	3-4	1	BP. Cpl.252, L=1320.8mm x W=381mm x H=107.9mm	96956356		YES
		G05/22	5-10	1	BP. Cpl.258, L=1473.2mm x W=457.2mm x H=119.1mm	96956360		YES
	Main Support Baseplate - Longer versions	GA/GB		1	XLBP1(139/245), L=1500mm x W=381mm x H=106.5mm	96956376		YES
		GA/GB	6-8	1	XLBP2(148/252), L=1777.8mm x W=381mm x H=107.9mm	96956377		YES
		G22	5-10	1	XLBP3(258/264), L=2406.4mm x W=457.2mm x H=119.1mm	96956379		YES
		GA/GB	10	1	XLBP4(153), L=2406.4mm x W=457.2mm x H=194mm	96957102		YES
90a	Bolt for motor to slider Pos. 90b	56C		4	Hex Head 5/16 -18 UNC x .75" SAE 5, Zinc plated			YES
		182TC	2/1-2	4	Hex Head 3/8 -16 UNC x .5" SAE 5, Zinc plated			YES
		213TC	3-4	4	Hex Head 3/8 -16 UNC x 5/8" SAE 5, Zinc plated for GA/GB			YES
		213TC	3-4	4	Hex Head 3/8 -16 UNC x 1" SAE 5, Zinc plated for G05/22			YES
		254-284	5-10	4	Hex Head 1/2 -13 UNC x 1.25" SAE 5, Z.P. for G05/22			YES
		254-284	5-10	4	Hex Head 1/2 -13 UNC x 1.5" SAE 5, Zinc plated for GA/GB			YES
90b	Motor support / slider	56C		2	GA,GB,GC, BP139, L=204mm x H=45.5mm x W=25.4mm	96956339		YES
		182TC	2/1-2	2	GA,GB,GC, BP139, L=230mm x H=23mm x W=25.4mm	96956338		YES
		213TC	3-4	2	GA,GB,GC, BP148, L=252mm x H=20mm x W=25.4mm	96956347		YES
		254TC	5-8	2	GA,GB,GC, BP148, L=299mm x H=20.3mm x W=25.4mm	96956348		YES
		284TC	10	2	GA,GB,GC, BP153, L=366mm x H=46mm x W=25.4mm	96956351		YES
		56C		2	G05, G22, BP245, L=204mm x H=125.5mm x W=25.4mm	96956343		YES
		182TC	2/1-2	2	G05, G22, BP245, L=230mm x H=100mm x W=25.4mm	96956342		YES
		213TC	3-4	2	G05, G22, BP252, L=252mm x H=96.5mm x W=25.4mm	96956357		YES
		254TC	5-8	2	G05, G22, BP252, L=354mm x H=67mm x W=25.4mm	96956361		YES
		284TC	10	2	G05, G22, BP258, L=354mm x H=67mm x W=25.4mm	96956361		YES
90c	Support Bracket for Pump Cartridge		2/1-17	1	304 SS, H=59mm CL of hole, GA/GB/GC	95131178		No
			2/1-17	1	304 SS, H=136mm CL of hole, G05/G10/G22/G50/G60	95131180		No
			2/1-17	1	304 SS, H=180mm CL of hole, G20/G30	96834148		No

Due to part changes over time, all position numbers (1-203) may not be used.

This column indicates which pump model uses the spare part. If blank, the part is used in all models.

B.O.M. Ref. No. is only available if it is not included in a kit or does not have a material number listed. If it is included in a kit (YES), or has a material number, request one of these numbers. If not included in a kit (No), but has a Material Number, use Material Number.

# Parts List & Kits CR20-H

Pos. No.	Part Description	Model	Stages	No. Used	Comments/Dimensions	B.O.M. Ref. No.	Material No.	Included in kits ?
----------	------------------	-------	--------	----------	---------------------	-----------------	--------------	--------------------

## PARTS LIST

90d	Bolt for motor slider Pos. 90b to base Pos. 90	56C		4	Hex Head 1/4 -20 UNC x 1" SAE 5, Zinc plated			YES		
		182/213	2/1-4	4	Hex Head 1/4 -20 UNC x 1.75" SAE 5, Z.P. for GA/GB			YES		
		213-284	3-10	4	Hex Head 1/4 -20 UNC x 1.75" SAE 5, Z.P. for G05/22			YES		
		284TC	10	4	Hex Head 1/4 -20 UNC x 2.25" SAE 5, Z.P. for GA/GB			YES		
		254TC	5-10	4	Hex Head 1/4 -20 UNC x 2.5" SAE 5, Z.P. for GA/GB			YES		
90f	Washer for motor bolt Pos. 90a to slider Pos. 90b	182TC	2	4	Hex Head 1/4 -20 UNC x 2.5" SAE 5, Z.P. for G05/22			YES		
		56C		4	5/16" SAE, Zinc plated			YES		
		182/213	2/1-2	4	3/8" SAE, Zinc plated			YES		
100	Priming/Vent Plug O-ring	254-284	5-10	4	1/2" SAE, Zinc plated			YES		
			2/1-17	■	EPDM, $\phi$ 16.3 x 2.4mm	00ID1288		YES		
			2/1-17	■	FKM, $\phi$ 16.3 x 2.4mm	00ID2231		YES		
100a	Priming/Vent Plug O-ring (option)		2/1-17	■	FFKM, $\phi$ 16.3 x 2.4mm	96428162	96587720	YES		
			2/1-17	■	FKM, $\phi$ 16.3 x 2.4mm	96442869	96587721	YES		
105(b)	Shaft Seal HQBE		2/1-17	***	SiC, Carbon with resin-impregnated, EPDM	96484076		YES		
			2/1-17	***	SiC, Carbon with resin-impregnated, FKM	96484077		YES		
	Shaft Seal HQQE		2/1-17	***	SiC, SiC, EPDM	96484071		YES		
			2/1-17	***	SiC, SiC, FKM	96484072		YES		
	Shaft Seal HQQV		2/1-17	***	SiC, SiC, FKM	96484075		YES		
			2/1-17	***	SiC, SiC, FKM	96484074		YES		
	Shaft Seal HQQF (option)		2/1-17	***	SiC, SiC, FKM	96483952		YES		
			2/1-17	***	TC, Carbon with resin-impregnated, EPDM	96483964		YES		
	Shaft Seal HQQK (option)		2/1-17	***	TC, Carbon with resin-impregnated, FKM	96483966		YES		
			2/1-17	***	TC, Carbon with resin-impregnated, FKM	96483965		YES		
	Shaft Seal HUBE		2/1-17	***	TC, Carbon with resin-impregnated, EPDM	96483967		YES		
			2/1-17	***	TC, Carbon with resin-impregnated, FKM	96483968		YES		
	Shaft Seal HUBV		2/1-17	***	TC, Carbon with resin-impregnated, FKM	96483969		YES		
			2/1-17	***	TC, Carbon with resin-impregnated, FKM	96483965		YES		
Shaft Seal HUBF (option)		2/1-17	***	TC, Carbon with resin-impregnated, FKM	96483967		YES			
		2/1-17	***	TC, Carbon with resin-impregnated, FKM	96483968		YES			
Shaft Seal HUBK (option)		2/1-17	***	TC, Carbon with resin-impregnated, FKM	96483969		YES			
		2/1-17	***	TC, Carbon with resin-impregnated, FKM	96483965		YES			
Shaft Seal HUUE		2/1-17	***	TC, TC, EPDM	96483967		YES			
		2/1-17	***	TC, TC, FKM	96483968		YES			
Shaft Seal HUUV		2/1-17	***	TC, TC, FKM	96484070		YES			
		2/1-17	***	TC, TC, FKM	96483969		YES			
Shaft Seal HUUF (option)		2/1-17	***	TC, TC, FKM	96484070		YES			
		2/1-17	***	TC, TC, FKM	96483969		YES			
Shaft Seal HUUK (option)		2/1-17	***	TC, TC, FKM	96483969		YES			
		2/1-17	***	TC, TC, FKM	96483969		YES			
117	Pipe for Air Vent 118		2/1-17	1	G1/2, 316SS	96525189		YES		
117a	Counter Nut for Pipe 117		2/1-17	2	NV24, internal G1/2, 316SS	96506709		YES		
118	Air Vent		2/1-17	1	Air vent type 1511-AV - 5/6430	96427483		YES		
201	Flange, Suction		2/1-7	1	1.5" 150#, 4 x 1/2"-13 UNC threaded flange, e-coat	96922828		No		
			2/1-7	1	2" 150#, 4 x 5/8"-11 UNC threaded flange, e-coat	96922829		No		
			2/1-7	1	3" 150#, 8 x non thread flange, electrocoated	350085		No		
			8-17	1	1.5" 300#, 4 x 3/4"-10 UNC threaded flange, e-coat	96956145		No		
			8-17	1	2" 300#, 8 x 5/8"-11 UNC threaded flange, e-coat	96956146		No		
			8-17	1	3" 300#, 8 x 3/4"-10 UNC threaded flange, e-coat	96956147		No		
		201a	Flange, Discharge		2/1-7	1	1" 150#, 4 x 1/2"-13 UNC threaded flange, e-coat	96922827		No
					2/1-7	1	1.5" 150#, 4 x 1/2"-13 UNC threaded flange, e-coat	96922828		No
					2/1-7	1	2" 150#, 4 x 5/8"-11 UNC threaded flange, e-coat	96922829		No
					8-17	1	1" 300#, 4 x 5/8"-11 UNC threaded flange, e-coat	96956144		No
	8-17	1	1.5" 300#, 4 x 3/4"-10 UNC threaded flange, e-coat	96956145		No				
	8-17	1	2" 300#, 8 x 5/8"-11 UNC threaded flange, e-coat	96956146		No				
	8-17	1	3" 300#, 8 x 3/4"-10 UNC threaded flange, e-coat	96956147		No				
203	Retaining ring for 201, 1.5" flange		2/1-17	1	$\phi$ 72.6mm x 5mm	96475395	96547671	No		
			2/1-17	1	$\phi$ 86.6mm x 5mm	96475396		No		
			2/1-17	1	$\phi$ 121mm x 6mm	350009		No		
203a	Retaining ring for 201a, 1.0" flange		2/1-17	1	$\phi$ 53.6mm x 3.2mm	96439718		No		
			2/1-17	1	$\phi$ 72.6mm x 5mm	96475395	96547671	No		
			2/1-17	1	$\phi$ 86.6mm x 5mm	96475396		No		
			2/1-17	1	$\phi$ 121mm x 6mm	350009		No		

↑ Due to part changes over time, all position numbers (1-203) may not be used.

↑ This column indicates which pump model uses the spare part. If blank, the part is used in all models.

↑ B.O.M. Ref. No. is only available if it is not included in a kit or does not have a material number listed. If it is included in a kit (YES), or has a material number, request one of these numbers. If not included in a kit (No), but has a Material Number, use Material Number.

## NOTES:

The first number is total number of impellers.  
An exceptions to this format is the CR20-1.

**Example:** A CR20-1 is actually a CR20-2/1. It has 2 chambers and 1 impeller (de-staged by 1), and it uses a 2 stage shaft.

YES*	If the YES is followed by an asterisk, the part in kit is made of upgraded material (example 304 SS changed to 316 SS for Pos. 4a).
* 1	2 to 17 stage use Pos. 3 2 /1 stage use Pos. 3a De-staging by two impellers use one 3a and one 3b
^^^	2/1 and 2 stage = use 0 3 to 6 stage = # of stages less 2 7 to 10 stage = # of stages less 3 12 to 17 stage = # of stages less 4 De-staging by two impellers use 1 less than stated above.
^^^^	2/1 to 6 stage = use 1 7 to 10 stage = use 2 12 to 17 stage = use 3
^^^^^	2/1-2, 4, 6, 8, and 12 stage = use 1 Exception to the above: Low NPSH models 2, 4, 6, 8 to 17 stage = use 1 3, 5 and 7 stage = use 2
^^^^^^	2/1 to 6 stage = use 1 7 to 10 stage = use 2 12 to 17 stage = use 3 Exception to the above: Low NPSH models 2 to 6 stage = use 0 7 to 10 stage = use 1 12 to 17 stage = use 2
^ +	NPSH Models only 3, 6, 8 & 17 stage = use 1 2, 4, 6, 10, 12 & 14 stage = use 2
^ -	NPSH Models only 3, 6, 8 & 17 stage = use 1
*	Standard use 1. Back-to-Back or Tandem pump version use 2
**	Standard use 1. Back-to-Back or Tandem pump version use 2
***	Standard use 1. Back-to-Back or Tandem pump version use 2
⊖	Standard use 1. CR(I,N)20-2/1 replace with Pos. 69a
# stgs-	Use the number of stages in standard models, less one in de-staged and Low NPSH models.
# imp.-	Use the number of stages in standard models, less one in de-staged and Low NPSH models.
◆◆	Standard use 2. Back-to-Back or Tandem pump version use 3, Cool Top use 1 EPDM or FKM and 2 FXM in lower hot section of pump.
■	Standard use 2. Back-to-Back or Tandem pump version use 6.
L*	Is a tip-to-tip length which includes the bends for slot engagement. Bottom tip to bend is 4.5mm shorter than the tip-to-tip value.

## Key to Symbols

KITS	.....	Recommended spare part
∅	.....	Diameter
ANSI	.....	American National Standards Institute
CPL	.....	Complete Assembly – these parts consist of more than one component
EPDM	.....	Ethylene Propylene (also known as EPR and EPT) – an elastic substance similar to rubber
FFKM	.....	Kalrez Elastomer made by DuPont
FKM	.....	Fluoro Elastomer (generic for Viton)
FXM	.....	Fluoraz Elastomer made by Greene Tweed
IEC	.....	International Electro-technical Commission (European standards)
M	.....	International standard thread size designation (thread diameter in mm)
mm	.....	Millimeter
MG	.....	Identifies Grundfos motor type/size
N	.....	Stamp code for 316 SS or similar
NBR	.....	Buna - N (also known as Nitrile) – an elastic substance similar to rubber
NEMA	.....	National Electrical Manufacturers Association
NPSH	.....	Net Positive Suction Head
PTFE	.....	Teflon
SiC	.....	Silicon Carbide
SS	.....	Stainless Steel
TC	.....	Tungsten Carbide
UNC	.....	Unified National Coarse – a standard for threads on bolts

# Spare Part Kits CR20-H

## SPARE PART KITS

Since certain pump parts can be expected to exhibit wear at the same time as related pump parts, they have been grouped into the following kits for your convenience. The numbers indicate the quantity of the part within each kit. Please order these kits using the kit material number at the top of the columns.

CR(I, N)20 SiC Bearing		Kit No.	96511824		
WEAR PARTS KIT 1-6		Kit No.	96511827		
WEAR PARTS KIT 7-10		Kit No.	96511830		
WEAR PARTS KIT 12-17		Kit No.	96511830		
Pos. No.	Description	Material No.	Qty. Included in each Kit		
4a	Chamber N Cpl. w/Pos.45 & 65 & SiC Bearing	96747343	1	2	3
26b	Bolt for strap, M8 x 25mm, 316 SS w/Delta Seal	96416603	2	2	2
26c	Washer for strap, A4, $\phi 16.0/\phi 8.4 \times 1.6$ mm	00D3284	2	2	2
45	Neck Ring, $\phi 75.8 \times \phi 59.95 \times 1.5$ mm, PTFE-Acoflon 100	96487400	5	8	14
47a	Bearing Ring/Spacer, SiC 150, $\phi 23.4 \times 14$ mm	96763100	1	2	3
49c	Wear Ring, N, $\phi 59.85 \times 7.4$ mm	330054	6	10	17
61	Stop Spacer, $\phi 29.0 \times \phi 18.4 \times \phi 17.6 \times \phi 15.0 \times 9.5 \times 2$ mm	330072	1	1	1
62	Stop Ring, $\phi 16.6 \times \phi 15.0 \times 1.6$ mm	330057	1	1	1
64a	Spacing Pipe, $\phi 21.5 \times \phi 17.5 \times 17.0$ mm	331416	1	2	3
64b	Clamp, Splined, $\phi 21.5 \times \phi 17.6 \times \phi 15.0 \times 5.0$ mm	331401	1	1	1
64c	Clamp, Splined, $\phi 21.5 \times \phi 17.6 \times \phi 15.0 \times 12.7$ mm	96496311	1	1	1
64d	Spacing Pipe, $\phi 21.5 \times \phi 17.5 \times 12.6$ mm	96491535	1	2	3
65	Neck Ring Retainer, N, $\phi 78.8 \times \phi 61.5 \times 6.7$ mm	330059	5	8	14
66	Lock Washer Set of 2, $\phi 13.5 \times \phi 8.2 \times 2.6$ mm	96417297	1	1	1
67	Lock Nut, 13mm x M8	96496488	1	1	1

STACK KITS (SiC) Pos.80	
Model	Material No.
CRI20-2/1	96491772
CRI20-2	96491773
CRI20-3	96491774
CRI20-4	96491775
CRI20-5	96491776
CRI20-6	96491777
CRI20-7	96491778
CRI20-8	96491779
CRI20-10	96491780
*** CRI20-12	96491781
*** CRI20-14	96491782
*** CRI20-17	96491783

\*\*\*For 4 pole & 50 Hz. operation only.

CR(I, N)20 Grafion Bearing		Kit No.	96511826		
WEAR PARTS KIT 1-6		Kit No.	96511829		
WEAR PARTS KIT 7-10		Kit No.	96511832		
WEAR PARTS KIT 12-17		Kit No.	96511832		
Pos. No.	Description	Material No.	Qty. Included in each Kit		
4a	Chamber N Cpl. w/Pos.45 & 65 & Grafion Bearing	96492510	1	2	3
26b	Bolt for strap, M8 x 25mm, 316 SS w/Delta Seal	96416603	2	2	2
26c	Washer for strap, A4, $\phi 16.0/\phi 8.4 \times 1.6$ mm	00D3284	2	2	2
45	Neck Ring, $\phi 75.8 \times \phi 59.95 \times 1.5$ mm, PTFE-Acoflon 100	96487400	5	8	14
47a	Bearing Ring/Spacer, TC, $\phi 21.9 \times \phi 17.6 \times \phi 15.0 \times 14$ mm	330085	1	2	3
49c	Wear Ring, N, $\phi 59.85 \times 7.4$ mm	330054	6	10	17
61	Stop Spacer, $\phi 29.0 \times \phi 18.4 \times \phi 17.6 \times \phi 15.0 \times 9.5 \times 2$ mm	330072	1	1	1
62	Stop Ring, $\phi 16.6 \times \phi 15.0 \times 1.6$ mm	330057	1	1	1
64a	Spacing Pipe, $\phi 21.5 \times \phi 17.5 \times 17.0$ mm	331416	1	2	3
64b	Clamp, Splined, $\phi 21.5 \times \phi 17.6 \times \phi 15.0 \times 5.0$ mm	331401	1	1	1
64c	Clamp, Splined, $\phi 21.5 \times \phi 17.6 \times \phi 15.0 \times 12.7$ mm	96496311	1	1	1
64d	Spacing Pipe, $\phi 21.5 \times \phi 17.5 \times 12.6$ mm	96491535	1	2	3
65	Neck Ring Retainer, N, $\phi 78.8 \times \phi 61.5 \times 6.7$ mm	330059	5	8	14
66	Lock Washer Set of 2, $\phi 13.5 \times \phi 8.2 \times 2.6$ mm	96417297	1	1	1
67	Lock Nut, 13mm x M8	96496488	1	1	1

CR(I, N)20 Bronze Bearing		Kit No.	96511825		
WEAR PARTS KIT 1-6		Kit No.	96511828		
WEAR PARTS KIT 7-10		Kit No.	96511831		
WEAR PARTS KIT 12-17		Kit No.	96511831		
Pos. No.	Description	Material No.	Qty. Included in each Kit		
4a	Chamber N Cpl. w/Pos.45 & 65 & Bronze Bearing	96492512	1	2	3
26b	Bolt for strap, M8 x 25mm, 316 SS w/Delta Seal	96416603	2	2	2
26c	Washer for strap, A4, $\phi 16.0/\phi 8.4 \times 1.6$ mm	00D3284	2	2	2
45	Neck Ring, $\phi 75.8 \times \phi 59.95 \times 1.5$ mm, PTFE-Acoflon 100	96487400	5	8	14
47a	Bearing Ring/Spacer, TC, $\phi 21.9 \times \phi 17.6 \times \phi 15.0 \times 14$ mm	330085	1	2	3
49c	Wear Ring, N, $\phi 59.85 \times 7.4$ mm	330054	6	10	17
61	Stop Spacer, $\phi 29.0 \times \phi 18.4 \times \phi 17.6 \times \phi 15.0 \times 9.5 \times 2$ mm	330072	1	1	1
62	Stop Ring, $\phi 16.6 \times \phi 15.0 \times 1.6$ mm	330057	1	1	1
64a	Spacing Pipe, $\phi 21.5 \times \phi 17.5 \times 17.0$ mm	331416	1	2	3
64b	Clamp, Splined, $\phi 21.5 \times \phi 17.6 \times \phi 15.0 \times 5.0$ mm	331401	1	1	1
64c	Clamp, Splined, $\phi 21.5 \times \phi 17.6 \times \phi 15.0 \times 12.7$ mm	96496311	1	1	1
64d	Spacing Pipe, $\phi 21.5 \times \phi 17.5 \times 12.6$ mm	96491535	1	2	3
65	Neck Ring Retainer, N, $\phi 78.8 \times \phi 61.5 \times 6.7$ mm	330059	5	8	14
66	Lock Washer Set of 2, $\phi 13.5 \times \phi 8.2 \times 2.6$ mm	96417297	1	1	1
67	Lock Nut, 13mm x M8	96496488	1	1	1

HQxx SHAFT SEAL KIT, BALANCED CARTRIDGE		Kit No.	96511848		
(Maximum allowed working PSI is 435)		Kit No.	96511849		
(Tandem Seal option Pumps require 2 of each Seal Kit)		Kit No.	96511844		
		Kit No.	96511847		
		Kit No.	96511846		
		Kit No.	96511845		
Pos. No.	Description	Material No.	Qty. Included in each Kit		
105	HQBE	96484076*	1		
	HQBV	96484077*		1	
	HQQE	96484071*			1
	HQQF	96484075*			1
	HQQK	96484074*			1
	HQQV	96484072*			1
N/A	Grinding Device Tool for Emery Cloth	370711	1	1	1
N/A	Emery Cloth	370712	1	1	1

\* Seal material number includes the Adjusting fork 96483950.



## SPARE PART KITS (Continued)

HUxx SHAFT SEAL KIT, BALANCED CARTRIDGE (Maximum allowed working PSI is 435) (Tandem Seal option Pumps require 2 of each Seal Kit)		Kit No.	96511836	96511839	96511838	96511837	96511840	96511843	96511842	96511841
Pos. No.	Description	Material No.	Qty. Included in each Kit							
105	HUBE	96483952*	1							
	HUBF	96483966*		1						
	HUBK	96483965*			1					
	HUBV	96483964*				1				
	HUUE	96483967*					1			
	HUUF	96484070*						1		
	HUUK	96483969*							1	
	HUVV	96483968*								1
N/A	Grinding Device Tool for Emery Cloth	370711	1	1	1	1	1	1	1	1
N/A	Emery Cloth	370712	1	1	1	1	1	1	1	1

\* Seal material number includes the Adjusting fork 96483950.

### Standard CR Gasket Kits

GASKET KIT (EPDM)		Kit No.	96509609	96509610	96534871	96533374	96525433	96525434	96525435	96525436
GASKET KIT (FKM)		Kit No.								
GASKET KIT (FKM)		Kit No.								
GASKET KIT (FFKM)		Kit No.								
GASKET KIT (EPDM)-Double Seal option.		Kit No.								
GASKET KIT (FKM)-Double Seal option.		Kit No.								
GASKET KIT (FFKM/EPDM)-Double Seal option.		Kit No.								
GASKET KIT (FFKM/FKM)-Double Seal option.		Kit No.								
GASKET KIT (FKM/EPDM)-Cool Top option.		Kit No.								
Pos. No.	Description	Material No.	Qty. Included in each Kit							
37	Sleeve O-ring, EPDM (WRC NSF), $\phi 170.7 \times 3.3\text{mm}$	96483101	2				3		1	1
	Sleeve O-ring, FKM, $\phi 170.7 \times 3.3\text{mm}$	96483102		2				3		1
37b	Sleeve O-ring, FKM, $\phi 171.25 \times 3.3\text{mm}$	96483109			2					2
	Sleeve O-ring, FFKM, $\phi 170.7 \times 3.3\text{mm}$	96483140				2			2	
37c	Disc Plate O-ring, EPDM, $\phi 155.0 \times 3.0\text{mm}$	96509703								1
	Disc Plate O-ring, FKM, $\phi 155.0 \times 3.0\text{mm}$	96480168								1
38, 100(a,b)	Drain Plug O-ring, EPDM, $\phi 16.3 \times 2.4\text{mm}$	00ID2231	3				7		4	1
	Drain Plug O-ring, FKM, $\phi 16.3 \times 2.4\text{mm}$	00ID2231		3				7		4
	Drain Plug O-ring, FKM, $\phi 16.3 \times 2.4\text{mm}$	96442869			3					3
	Drain Plug O-ring, FFKM, $\phi 16.3 \times 2.4\text{mm}$	96428162				3			3	
38a	Drain Plug O-ring, EPDM, $\phi 5.3 \times 2.4\text{mm}$	00ID2142	1				1			
	Drain Plug O-ring, FKM, $\phi 5.3 \times 2.4\text{mm}$	00ID3945						1		
	Drain Plug O-ring, FKM, $\phi 5.3 \times 2.4\text{mm}$	96511292			1					1
	Drain Plug O-ring, FFKM, $\phi 5.3 \times 2.4\text{mm}$	96511293				1			1	
39	Flange O-ring, EPDM, $\phi 90 \times 3\text{mm}$	96496200	2				2			
	Flange O-ring, FKM, $\phi 90 \times 3\text{mm}$	00ID2856		2				2		
	Flange gasket, Fiber, $122\text{mm} \times \phi 60 \times \phi 44 \times 2\text{mm}$	420039	2	2	2	2	2	2	2	2
	Flange gasket, Fiber, $\phi 102 \times \phi 65 \times 2\text{mm}$	330035	2	2	2	2	2	2	2	2
	Flange gasket, Fiber, $\phi 92 \times \phi 49 \times 2\text{mm}$	00ID2582	2	2	2	2	2	2	2	2
60(a)	Stack Compression Spring, EPDM, $\phi 11.0 \times \phi 7.0 \times 15.5\text{mm}$	96503070	4				4			4
	Stack Compression Spring, FKM, $\phi 11.0 \times \phi 7.0 \times 15.5\text{mm}$	96503072		4				4		4
	Stack Compression Spring, PTFE, $\phi 11.0 \times \phi 7.0 \times 15.5\text{mm}$	96503071			4	4			4	4
109a	Disc Plate O-ring, EPDM, $\phi 27.5 \times 2.75\text{mm}$	96483103								
	Disc Plate O-ring, FKM, $\phi 27.5 \times 2.75\text{mm}$	96483104								
	Disc Plate O-ring, FKM, $\phi 27.5 \times 2.75\text{mm}$	96483141								1

### Add to above standard gaskets to complete desired CRH, CRNH model

Kit, O-ring EPDM CR-H, CRN-H10/15/20/32 GA/G05/G22		Kit No.	96922800	96922802	96922816	96922822	96956134	96956135	96923565	96923571
Kit, O-ring FKM CR-H, CRN-H10/15/20/32 GA/G05/G22		Kit No.								
Kit, O-ring FFKM CR-H, CRN-H10/15/20/32 GA/G05/G22		Kit No.								
Kit, O-ring EPDM CR-H, CRN-H10/15/20/32 GB-G60		Kit No.								
Kit, O-ring FKM CR-H, CRN-H10/15/20/32 GB-G60		Kit No.								
Kit, O-ring FFKM CR-H, CRN-H10/15/20/32 GB-G60		Kit No.								
Pos. No.	Description	Material No.	Qty. Included in each Kit							
72a	O-ring, 2-268 EPDM $\phi 215.5 \times 3.5\text{mm}$	95922038	1				1			
	O-ring, 2-268 Viton $\phi 215.5 \times 3.5\text{mm}$	95922039		1				1		
	O-ring, 2-268 Fluorac $\phi 215.5 \times 3.5\text{mm}$	95922040			1				1	
	O-ring, 2-268 FFKM $\phi 215.5 \times 3.5\text{mm}$	95131208				1				1
39b	O-ring, 2-230 EPDM $\phi 63.1 \times 3.5\text{mm}$	95922032	1							
	O-ring, 2-230 Viton $\phi 63.1 \times 3.5\text{mm}$	95922033		1						
	O-ring, 2-230 Fluorac $\phi 63.1 \times 3.5\text{mm}$	95922034			1					
	O-ring, 2-230 FFKM $\phi 63.1 \times 3.5\text{mm}$	95131189				1				
	O-ring, Parker 2-238 EPDM $\phi 88.5 \times 3.5\text{mm}$	95922035					1			
	O-ring, 2-238 Viton $\phi 88.5 \times 3.5\text{mm}$	95922036						1		
	O-ring, 2-238 Fluorac $\phi 88.5 \times 3.5\text{mm}$	95952037							1	
	O-ring, 2-238 FFKM $\phi 88.5 \times 3.5\text{mm}$	95131207								1

### NEMA COUPLING KIT

$\phi 15.9/\phi 16$		Kit No.	96511353	96753660	96753661	96511356
$\phi 28.6/\phi 16$ (Option- High)		Kit No.				
$\phi 34.9/\phi 16$ (Option- High)		Kit No.				
$\phi 41.3/\phi 16$		Kit No.				
Pos. No.	Description	Material No.	Qty. Included in each Kit			
9	Allen Screw, M6 x 20mm, Delta Seal	00ID7899	4			4
	Allen Screw, M10 x 25mm, Delta Seal	00ID7901		4		4
10	Shaft Pin, $\phi 5 \times 26\text{mm}$ , Stainless	310192	1	1		1
10a	Coupling, Half set, 56C, 1/3 - 2HP, $\phi 15.8 / \phi 16$	96516777	1			
	Cplg. Half set, 182/184TC, 3-5HP, High, $\phi 28.5/\phi 16$	96516009		1		
	Cplg. Half set, 213TC, 7.5-10HP, High, $\phi 34.9/\phi 16$	96516770			1	
	Cplg. Half set, 254TC-284/286TSC 15-25HP, $\phi 41.2/\phi 16$	96516771				1
N/A	Adjusting Fork	96483950	1			1

# Spare Part Kits CR20-H

## SPARE PART KITS (Continued)

COUPLING GUARD KIT		Kit No.	96509612	
NEMA 56C, 1/3-2HP		Kit No.	96509614	
Pos. No.	Description	Material No.	Qty. Included in each Kit	
7	Coupling Guard, W=127mm x H=90.5mm	96491002	2	
	Coupling Guard, W=157mm x H=171mm	96490656	2	
7a	Screw comb.slot torx/straight slot 4 x 8mm	96488481	4	

Air Vent Kit - Horizontal Units		Kit No.	91136720	
CR-H, CRN-H15 to 20		Kit No.	91136720	
Pos. No.	Description	Material No.	Qty. Included in each Kit	
117	Air Vent Pipe, short for 118, G1/2, 60x43	96525189	1	
117a	Counter Nut for Pipe 117, G1/2	96506709	2	
118	Air vent type 1511-AV - 5/6430	96427483	1	

## ACCESSORIES

ANSI COMPANION FLANGES FOR MEDIUM CR-H		1.5"		1"	
Pos. No.	Description	Material No.	Qty.	Material No.	Qty.
Kit No. 97642565 1.5" x 1" CI BLACK for GA 125#					
N/A	Bolts	97693886	4	97693886	4
N/A	Flanges	91123167	1	96983489	1
N/A	Gasket	91123168	1	97692916	1
Kit No. 96967594 1.5" x 1" CI BLACK for GA 250#					
N/A	Bolts	91137423	4	91130816	4
N/A	Flanges	96983494	1	96983493	1
N/A	Gasket	97694408	1	97694407	1
Kit No. 97642567 2" x 1" CI BLACK for G05 125#					
N/A	Bolts	91130816	4	97526838	4
N/A	Flanges	96983491	1	96983489	1
N/A	Gasket	97692909	1	97692916	1
Kit No. 96967595 2" x 1" CI BLACK for G05 250#					
N/A	Bolts	91120660	8	91130816	4
N/A	Flanges	00ID2743	1	96983493	1
N/A	Gasket	00ID2747	1	97694407	1
Kit No. 97642571 3" x 1.5" CI BLACK for GB, G50 and G20 125#					
N/A	Nuts	00ID1510	4	none	0
N/A	Bolts	00ID1921	4	97693886	4
N/A	Flanges	00ID1925	1	91123167	1
N/A	Gasket	560185	1	91123168	1
Kit No. 97658571 3" x 1.5" CI BLACK for GB, G50 and G20 250#					
N/A	Bolts	91120662	8	91137423	4
N/A	Flanges	91121943	1	96983494	1
N/A	Gasket	91122339	1	97694408	1
Kit No. 97642574 3" x 2" CI BLACK for GC, G10, G60 and G30 125#					
N/A	Nuts	00ID1510	4	none	0
N/A	Bolts	00ID1921	4	91130816	4
N/A	Flanges	00ID1925	1	96983491	1
N/A	Gasket	560185	1	97692909	1
Kit No. 97658572 3" x 2" CI BLACK for GC, G10, G60 and G30 250#					
N/A	Bolts	91120662	8	91120660	8
N/A	Flanges	91121943	1	00ID2743	1
N/A	Gasket	91122339	1	00ID2747	1
Kit No. 97642568 2" x 2" CI BLACK for G22 125#					
N/A	Bolts	91130816	4	91130816	4
N/A	Flanges	96983491	1	96983491	1
N/A	Gasket	97692909	1	97692909	1
Kit No. 97757976 2" x 2" CI BLACK for G22 250#					
N/A	Bolts	91120660	8	91120660	8
N/A	Flanges	00ID2743	1	00ID2743	1
N/A	Gasket	00ID2747	1	00ID2747	1

## ACCESSORIES (Continued)

ANSI COMPANION FLANGES FOR MEDIUM CR-H, CRN-H					
Kit No. 97698645		1.5" x 1" 316SS for GA 150#		1"	
Pos. No.	Description	Material No.	Qty.	Material No.	Qty.
N/A	Bolts	97743748	4	97743748	4
N/A	Flanges	96983498	1	96983497	1
N/A	Gasket	97694409	1	97692916	1
Kit No. 97698646		1.5" x 1" 316SS for GA 300#		1"	
Pos. No.	Description	Material No.	Qty.	Material No.	Qty.
N/A	Bolts	91143035	8	91143029	4
N/A	Flanges	96983496	1	96983495	1
N/A	Gasket	97694408	1	97694407	1
Kit No. 97698647		2" x 1" 316SS for G05 150#		1"	
Pos. No.	Description	Material No.	Qty.	Material No.	Qty.
N/A	Bolts	91143029	4	97743748	4
N/A	Flanges	96983499	1	96983497	1
N/A	Gasket	97692909	1	97692916	1
Kit No. 97698648		2" x 1" 316SS for G05 300#		1"	
Pos. No.	Description	Material No.	Qty.	Material No.	Qty.
N/A	Bolts	97743741	8	91143029	4
N/A	Flanges	00ID7240	1	96983495	1
N/A	Gasket	00ID2747	1	97694407	1
Kit No. 97698649		3" x 1.5" 316SS for GB, G50 and G20 150#		1.5"	
Pos. No.	Description	Material No.	Qty.	Material No.	Qty.
N/A	Nuts	91143011	4	none	0
N/A	Bolts	91143031	4	97743748	4
N/A	Flanges	91121944	1	96983498	1
N/A	Gasket	560185	1	97694409	1
Kit No. 97698650		3" x 1.5" 316SS for GB, G50 and G20 300#		1.5"	
Pos. No.	Description	Material No.	Qty.	Material No.	Qty.
N/A	Bolts	91143038	8	91143035	4
N/A	Flanges	91121945	1	96983496	1
N/A	Gasket	91122339	1	97694408	1
Kit No. 97698651		3" x 2" 316SS for GC, G10, G60 and G30 150#		2"	
Pos. No.	Description	Material No.	Qty.	Material No.	Qty.
N/A	Nuts	91143011	4	none	0
N/A	Bolts	91143031	4	91143029	4
N/A	Flanges	91121944	1	96983499	1
N/A	Gasket	560185	1	97692909	1
Kit No. 97698652		3" x 2" 316SS for GC, G10, G60 and G30 300#		2"	
Pos. No.	Description	Material No.	Qty.	Material No.	Qty.
N/A	Bolts	91143038	8	97743741	8
N/A	Flanges	91121945	1	00ID7240	1
N/A	Gasket	91122339	1	00ID2747	1
Kit No. 97743809		2" x 2" 316SS for G22 150#		2"	
Pos. No.	Description	Material No.	Qty.	Material No.	Qty.
N/A	Bolts	91143029	4	91143029	4
N/A	Flanges	96983499	1	96983499	1
N/A	Gasket	97692909	1	97692909	1
Kit No. 97743810		2" x 2" 316SS for G22 300#		2"	
Pos. No.	Description	Material No.	Qty.	Material No.	Qty.
N/A	Bolts	97743741	8	97743741	8
N/A	Flanges	00ID7240	1	00ID7240	1
N/A	Gasket	00ID2747	1	00ID2747	1

# Spare Part Kits CR20-H

## ACCESSORIES (Continued)

Baseplate Kit		Kit No.	97534517			
139	56C for GA/B/C	Kit No.	97534518			
XLBP1		Kit No.	97534573			
182TC for GA/B/C		Kit No.	97534574			
Pos. No.	Description	Material No.	Qty. Included in each Kit			
90	Baseplate Cpl. 139, L=991* x W=305* x H=106.4768*	96956336	1	1		
	Baseplate Cpl. XLBP1, L=1500* x W=305* x H=106.4768*	96956376			1	1
N/A	Slider & fasteners for 56C (consists of slider & hardware)	96983855	1		1	
N/A	Slider & fastener for 182TC (consists of slider & hardware)	96983858		1		1
N/A	Hardware Kit -96983855/68/78 (cont. pos.56f, g, 90a,d & f)**	97501470	1		1	
N/A	Hardware Kit -96983858 (cont. pos.56f & g, 90a, d & f)**	97501481		1		1
56f	Bolt, Hex Head 1/2 -13 UNC x 1" SAE 5, Zinc plated	N/A	2	2	2	2
56g	Washer, 1/2" SAE, Zinc plated	N/A	2	2	2	2
90a	Bolt, Hex Head 5/16 -18 UNC x .75" SAE 5, Zinc plated	N/A	4		4	
	Bolt, Hex Head 3/8 -16 UNC x .5" SAE 5, Zinc plated	N/A		4		4
90b	Slider, GA/B/C 56C/139BP, L=204* x H=45.5* x W=25.4*	96956339	2		2	
	Slider, GA/B/C 182TC/139 BP, L=230* x H=23* x W=25.4*	96956338		2		2
90d	Bolt, Hex Head 1/4 -20 UNC x 1" SAE 5, Zinc plated	N/A	4		4	
	Bolt, Hex Head 1/4 -20 UNC x 1.75" SAE 5, Zinc plated	N/A		4		4
90f	Washer, 5/16" SAE, Zinc plated	N/A	4		4	
	Washer, 3/8" SAE, Zinc plated	N/A		4		4

\* Values in mm, Length (L) is +/- 2mm, Height (H) is +/- 1mm, Width (W). \*\* Hardware kits 97501470 and 81 are also available for sale.

Baseplate Kit		Kit No.	97534520			
148	213TC for GA/B/C	Kit No.	97534531			
XLBP2		Kit No.	97573875			
254TC for GA/B/C		Kit No.	97534579			
Pos. No.	Description	Material No.	Qty. Included in each Kit			
90	Baseplate Cpl. 148, L=1219* x W=381* x H=107.9*	96956346	1	1		
	Baseplate Cpl. XLBP2, L=1777.8* x W=381* x H=107.9*	96956377			1	1
N/A	Slider & fasteners for 213TC (consists of slider & hardware)	96983859	1		1	
N/A	Slider & fastener 254TC (cont. of 56k, slider & hardware)	96983862		1		1
N/A	Hardware Kit -96983859 (consists of pos.56f, g, 90a,d & f)**	97501482	1		1	
N/A	Hardware Kit -96983862 (cont. pos.56f, g & m, 90a, d & f)**	97501483		1		1
56f	Bolt, Hex Head 1/2 -13 UNC x 1.25" SAE 5, Zinc plated	N/A	2		2	
	Bolt, Hex Head 1/2 -13 UNC x 2.25" SAE 5, Zinc plated	N/A		2		2
56g	Washer, 1/2" SAE, Zinc plated	N/A	2	2	2	2
56k	Volute Spacer, 148 BP 254T, L=200* x H=25.4* x W=78.2	96956349	1			1
56m	Slotted Spring Pin ø3/16" x 1" Zinc Plated	N/A		2		2
90a	Bolt, Hex Head 3/8 -16 UNC x 5/8" SAE 5, Zinc plated	N/A	4		4	
	Bolt, Hex Head 1/2 -13 UNC x 1.5" SAE 5, Zinc plated	N/A		4		4
90b	Slider, GA/B/C 213TC/148BP, L=252* x H=20* x W=25.4*	96956347	2		2	
	Slider, GA/B/C 254TC/148BP, L=299* x H=20.3* x W=38.1*	96956348		2		2
90d	Bolt, Hex Head 1/4 -20 UNC x 1.75" SAE 5, Zinc plated	N/A	4		4	
	Bolt, Hex Head 1/4 -20 UNC x 2.5" SAE 5, Zinc plated	N/A		4		4
90f	Washer, 3/8" SAE, Zinc plated	N/A	4		4	
	Washer, 1/2" SAE, Zinc plated	N/A		4		4

\* Values in mm, Length (L) is +/- 2mm, Height (H) is +/- 1mm, Width (W). \*\* Hardware kits 97501482 and 83 are also available for sale.

Baseplate Kit		Kit No.	97534594			
XLBP4	284TC for GA/B/C	Kit No.	97501484			
Pos. No.	Description	Material No.	Qty. Included in each Kit			
90	Baseplate Cpl. XLBP4, L=2406.4* x W=457.2* x H=194*	96957102		1		
N/A	Slider & fasteners for 284TC (consists of slider & hardware)	96983863		1		
N/A	Hardware Kit -96983871 (cont. of pos.56f & g, 90a,d & f)**	97501484		1		
56f	Bolt, Hex Head 1/2 -13 UNC x 1.25" SAE 5, Zinc plated	N/A		2		
56g	Washer, 1/2" SAE, Zinc plated	N/A		2		
90a	Bolt, Hex Head 1/2 -13 UNC x 1.5" SAE 5, Zinc plated	N/A		4		
90b	Slider, GA/B/C, 284TC/153BP, L=366* x H=46* x W=25.4*	96956351		2		
90d	Bolt, Hex Head 1/4 -20 UNC x 2.25" SAE 5, Zinc plated	N/A		4		
90f	Washer, 1/2" SAE, Zinc plated	N/A		4		

\* Values in mm, Length (L) is +/- 2mm, Height (H) is +/- 1mm, Width (W). \*\* Hardware kit 97501484 is also available for sale.



## ACCESSORIES (Continued)

Baseplate Kit		Kit No.	
245	56C for G05/10/50/60/70/22/33/44	97534535	
	182TC for G05/10/50/60/70/22/33/44	97534536	
XLBP1		Kit No.	
	56C for G05/10/50/60/70/22/33/44	97534575	
	182TC for G05/10/50/60/70/22/33/44	97534576	
Pos. No.	Description	Material No.	Qty. Included in each Kit
90	Baseplate Cpl. 245, L=1143* x W=305* x H=106.4768*	96956341	1
	Baseplate Cpl. XLBP1, L=1500* x W=305* x H=106.4768*	96956376	1
N/A	Slider & fastners for 56C (consists of slider & hardware)	96983868	1
N/A	Slider & fastner for 182TC (consists of slider & hardware)	96983869	1
N/A	Hardware Kit -96983855/68/78 (cont. pos.56f, g, 90a,d& f)**	97501470	1
N/A	Hardware Kit -96983869/79 (cont. pos.56f & g, 90a, d & f)**	97501488	1
56f	Bolt, Hex Head 1/2 -13 UNC x 1" SAE 5, Zinc plated	N/A	2
56g	Washer, 1/2" SAE, Zinc plated	N/A	2
90a	Bolt, Hex Head 5/16 -18 UNC x .75" SAE 5, Zinc plated	N/A	4
90b	Slider, G05/22 - 56C/245BP, L=204* x H=125.5* x W=25.4*	96956343	2
	Slider, G05/22 - 182T/245 BP, L=230* x H=100* x W=25.4*	96956342	2
90d	Bolt, Hex Head 1/4 -20 UNC x 1" SAE 5, Zinc plated	N/A	4
	Bolt, Hex Head 1/4 -20 UNC x 2.5" SAE 5, Zinc plated	N/A	4
90f	Washer, 5/16" SAE, Zinc plated	N/A	4

\* Values in mm, Length (L) is +/- 2mm, Height (H) is +/- 1mm, Width (W). \*\* Hardware kits 97501470 and 88 are also available for sale.

Baseplate Kit		Kit No.	
252	213TC for G05/10/50/60/70/22/33/44	97534539	
	213TC for G05/10/50/60/70/22/33/44	97573873	
XLBP2		Kit No.	
	213TC for G05/10/50/60/70/22/33/44	97573873	
Pos. No.	Description	Material No.	Qty. Included in each Kit
90	Baseplate Cpl. 252, L=1321* x W=381* x H=107.9*	96956356	1
	Baseplate Cpl. XLBP2, L=1777.8* x W=381* x H=107.9*	96956377	1
N/A	Slider & fastners for 213TC (consists of slider & hardware)	96983870	1
N/A	Hardware Kit -96983870/80 (cont. of pos.56f, g, 90a,d & f)**	97501489	1
56f	Bolt, Hex Head 1/2 -13 UNC x 1.25" SAE 5, Zinc plated	N/A	2
56g	Washer, 1/2" SAE, Zinc plated	N/A	2
90a	Bolt, Hex Head 3/8 -16 UNC x 1" SAE 5, Zinc plated	N/A	4
90b	Slider, G05/22, 213TC/252BP, L=252* x H=96.5* x W=25.4*	96956357	2
90d	Bolt, Hex Head 1/4 -20 UNC x 1.75" SAE 5, Zinc plated	N/A	4
90f	Washer, 3/8" SAE, Zinc plated	N/A	4

\* Values in mm, Length (L) is +/- 2mm, Height (H) is +/- 1mm, Width (W). \*\* Hardware kit 97501489 is also available for sale.

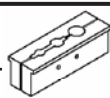
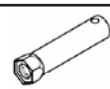

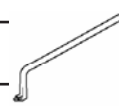
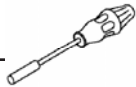



Baseplate Kit		Kit No.	
258	254-286TC for G05/10/50/60/70/22/33/44	97534543	
	254-286TC for G05/10/50/60/70/22/33/44	97573876	
XLBP3		Kit No.	
	254-286TC for G05/10/50/60/70/22/33/44	97573876	
Pos. No.	Description	Material No.	Qty. Included in each Kit
90	Baseplate Cpl. 258, L=1473.2* x W=457.2* x H=119.1*	96956360	1
	Baseplate Cpl. XLBP3, L=2406.4* x W=457.2* x H=119.1*	96956379	1
N/A	Slider & fastners for 254TC (consists of slider & hardware)	96983871	1
N/A	Hardware Kit -96983871 (cont. of pos.56f & g, 90a,d & f)**	97501493	1
56f	Bolt, Hex Head 1/2 -13 UNC x 1" SAE 5, Zinc plated	N/A	2
56g	Washer, 1/2" SAE, Zinc plated	N/A	2
90a	Bolt, Hex Head 1/2 -13 UNC x 1.25" SAE 5, Zinc plated	N/A	4
90b	Slider, G05/22, 254TC/258BP, L=354* x H=67* x W=25.4*	96956361	2
90d	Bolt, Hex Head 1/4 -20 UNC x 1.75" SAE 5, Zinc plated	N/A	4
90f	Washer, 1/2" SAE, Zinc plated	N/A	4

\* Values in mm, Length (L) is +/- 2mm, Height (H) is +/- 1mm, Width (W). \*\* Hardware kit 97501493 is also available for sale.

# Spare Part Kits • Special Tools CR20-H








## SPECIAL TOOLS

Tools not generally available from normal sources.

Mat. No.	Description and Use	
005V0040	<b>Shaft Holder for Dismantling/Assembly</b> Used to hold and protect the shaft during dismantling and assembly.	
005V2107	<b>Tubular Box Spanner for Shaft Seal 41.0 mm</b> Used to install and remove the shaft seal. Fits a 1/2" drive ratchet.	
005V2101	<b>Ring Insert Tool for Shaft Seal + Square</b> 41 mm x 1/2" drive	
005V0239	<b>Puller for Neck Ring</b> Used to remove the Neck Ring from Chamber.	
005V2011	<b>Bit Holder</b> Used with Bits Kit, 1/4"	
005V2010	<b>Bits Kit</b> NV 5 mm for M6, 1/4" NV 6 mm for M8, 1/4" NV 8 mm for M10, 1/4"	
005V2012	<b>Hexagon Socket Bit</b> Used for Shaft Seal NV 2.5 mm for M5, 1/4"	
005V2127	<b>Bearing Removal Punch</b>	

## STANDARD TOOLS

In addition to being available from Grundfos, comparable tools can be purchased through normal sources.

Mat. No.	Description and Use	
005V0083 005V0055 005V0054 005V0122	<b>Wrenches</b> Used to tighten various nuts. NV 10 mm for M6 NV 13 mm for M8 NV 19 mm for M12 NV 24 mm for M16	
005V0292 005V0269 005V0400	<b>Torque Wrench</b> Used to torque various screws. 4-20 Nm, 9 x 12 20-100 Nm, 9 x 12 40-200 Nm, 14x18	
005V0438	<b>Torque Screwdriver</b> Used to tighten various nuts. 1-6 Nm, 1/4"	
005V0295 005V0401	<b>Ratchet Spanner for all Adapters</b> 9 mm x 12 mm, 1/2" 14 mm x 18 mm, 1/2"	
005V0296 005V0297 005V0298	<b>Socket Spanner with Inside Hex</b> NV 5 mm for M6, 1/2" x 1/2" NV 6 mm for M8, 1/2" x 1/2" NV 8 mm for M10, 1/2" x 1/2"	
005V0310 005V0294 005V0271 005V0524	<b>Ring Spanner</b> NV 10 mm, 9 x 12, for M6 NV 13 mm, 9 x 12, for M8 NV 19 mm, 9 x 12, for M12 NV 24 mm, 14 x 18, for M16	
005V2013 005V0267	<b>Socket Spanner</b> NV 13 mm for M8, 1/2" drv. NV 19 mm for M12, 1/2" drv.	



**BE > THINK > INNOVATE >**

Being responsible is our foundation  
Thinking ahead makes it possible  
Innovation is the essence



L-CR-SM-054 11/11 US

©2011 Grundfos Pumps Corp.

Subject to alterations.

**GRUNDFOS Pumps Corporation**  
17100 W. 118th Terrace  
Olathe, Kansas 66062  
Phone: 913.227.3400  
Fax: 913.227.3500  
[www.grundfos.com](http://www.grundfos.com)

**GRUNDFOS Canada, Inc.**  
2941 Brighton Road  
Oakville, Ontario L6H 6C9 Canada  
Phone: 905.829.9533  
Fax: 905.829.9512

**Bombas GRUNDFOS de Mexico S.A. de C.V.**  
Boulevard TLC No. 15  
Parque Industrial Stiva Aeropuerto  
Apodaca, N.L. Mexico 66600  
Phone: 52.81.8144.4000  
Fax: 52.81.8144.4010

**GRUNDFOS** 