



CRN10-H

Parts List & Kits

Contents

Parts List

Spare Part Kits

Accessories

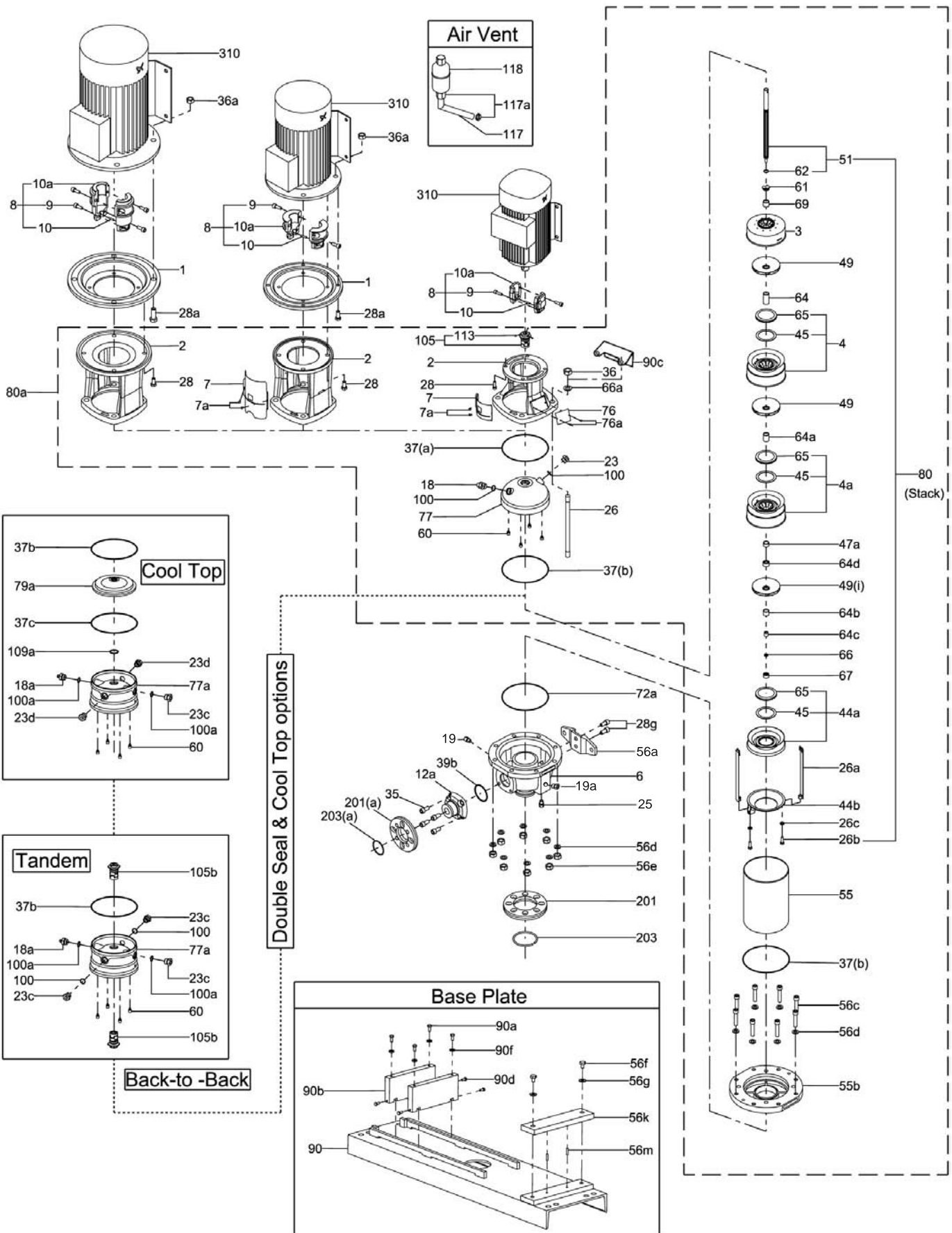
Special Tools

Standard Tools

Tools for Torques



Exploded View CRN10-H



TM047922

Parts List & Kits CRN10-H

Pos. No.	Part Description	Model	Stages	No. Used	Comments/Dimensions	B.O.M. Ref. No.	Material No.	Included in kits ?
----------	------------------	-------	--------	----------	---------------------	-----------------	--------------	--------------------

PARTS LIST

1	Adapter for Motor Stool		7-12	1	For NEMA, 213/215TC, 7.5 - 10HP	96476208		No	
2	Motor Stool - Cat. Cast Iron, without insert Pos. 77		14-18/17	1	For NEMA, F254TC, 15-20HP	96486329		No	
			2/1-2	1	NEMA, 56C, .75 - 2.0HP	96486290		No	
			3-6	1	NEMA, 182TC, 3 - 5Hp (High)	96486314		No	
			7-12	1	Add Pos.1 NEMA 213/215TC, 7.5-10HP (High)	96486314		No	
			14-18/17	1	Add Pos. 1 for NEMA 254/256TC, 15-20HP	96486314		No	
				1	NEMA, 284/286TSC, 25HP	96486296		No	
	Motor Stool - Stainless - without Pos. 77	GI	2/1-2	1	NEMA, 56C, .75 - 2.0HP	96505862		No	
			3-6	1	NEMA, 182TC, High, 3 - 5Hp (option)	96505860		No	
			7-12	1	Add Pos.1 NEMA 213/215TC, 7.5-10HP (High opt.)	96505860		No	
			14-18/17	1	Add Pos. 1 for NEMA 254/256TC, 15-20HP	96505860		No	
				1	NEMA, 284/286TSC, 25HP	96505864		No	
3	Chamber N, Top, Complete with guide vane		2-17	*1	Slotted to accept Strap, pos. 26a	96487784		No	
3a	Chamber N, Top, without guide vane		2/1&18/17	*1	Slotted to accept Strap, pos. 26a	96491220		No	
3b	Chamber N without guide vane		3-22	*1		420065		No	
4	Chamber N complete with Pos. 45 & 65		2/1-22	^^^	PTFE Pos. 45	96487847		No	
4a	Chamber N Cpl. w/Pos. 45 & 65 & Bearing		2/1-22	^^^^	Silicon Carbide Brg, PTFE Pos. 45	96747281		YES	
	Chamber N Cpl. w/Pos. 45 & 65 & Brg. (option)		2/1-22	^^^^	Graflon Bearing, PTFE Pos. 45	96492496		YES	
	Chamber N Cpl. w/Pos. 45 & 65 & Brg. (option)		2/1-22	^^^^	Bronze Bearing, PTFE Pos. 45	96492498		YES	
4b	Chamber N Cpl. w/Pos. 45 & 65, (Low NPSH opt.)		3-22	1	PTFE Pos. 45	96505300		No	
6	Volute, suction / discharge base		2/1-22	1	GA, 1.5" suction (OD=76mm), 4 hole dis. adapter	95922058		No	
			2/1-22	1	G05/G22, 2" suction (OD=90mm) 4 hole dis. adapter	95922057		No	
			2/1-22	1	GB&C/G10/G50/G60, 3" suc. (OD=120), 6 hole dis. adap.	95922062		No	
7	Coupling Guard		2/1-2	2	NEMA-56C	96491002		YES	
7a	Screw for Coupling Guard		3-18/17	2	NEMA, 182-215TC (High), 254TC-286TSC	96490656		YES	
			2/1-22	4	Screw comb. slot torx/straight slot 4 x 8mm	96488481		YES	
9	Allen Screw		2/1-2	4	M6 x 20mm, Delta Tone/Seal	00ID7899		YES	
10	Shaft Pin		3-18/17	4	M10 x 25mm, Delta Tone/Seal	00ID7901		YES	
			2/1-22	1	ø5 x 26mm	310192	95061337	YES	
10a	Coupling Half (machined set)		2/1-2	1	NEMA, 56C, 1/3 - 2HP. ø15.9/ ø16mm	96516777		YES	
			3-6	1	NEMA, 182/184TC, 3-5HP. ø28.6/ø16mm (High)	96516009		YES	
			7-12	1	NEMA, 213TC, 7.5-10HP. ø34.9/ø16mm (High)	96516770		YES	
			14-18/17	1	NEMA, 254TC, 15-20HP. ø41.2/ø16mm (High)	96516771		YES	
				1	NEMA, 284/286TSC, 25HP. ø41.2/ø16mm	96516771		YES	
12a	Discharge Adapter		2/1-22	1	GA, 4 hole flange, OD= 55mm, ID=26mm (1.0"), L= 60mm	95922070		No	
			2/1-22	1	G05, 4 hole flange, OD= 55mm, ID=26mm (1.0"), L= 111mm	95922072		No	
			2/1-22	1	G22, 4 hole flange, OD= 90mm, ID=50mm (2"), L= 85mm	95922097		No	
			Discharge Adp. option larger suc./dis. & press	2/1-22	1	GB, 6 hole flange, OD= 76mm, ID=49mm (1.5"), L=55mm	95922084		No
				2/1-22	1	GC, 6 hole flange, OD= 90mm, ID=49mm (2"), L= 55mm	95922085		No
				2/1-22	1	G50, 6 hole flange, OD= 76mm, ID=41mm (1.5"), L= 106mm	95922087		No
				2/1-22	1	G10, 6 hole flange, OD= 90mm, ID=50mm (2"), L= 110mm	95922089		No
				2/1-22	1	G60, 6 hole flange, OD= 90mm, ID=50mm (2"), L= 132mm	95922091		No
				2/1-22	1	G20, 6 hole flange, OD= 76mm, ID=40mm (1.5"), L= 156mm	95922093		No
				2/1-22	1	G30, 6 hole flange, OD= 90mm, ID=50mm (2"), L= 182mm	95922095		No
				2/1-22	1	G33, 6 hole flg. OD=120mm, ID=80mm (3"), L= 120mm	95922099		No
				18(a)	Priming/Vent Plug		2/1-22	*	G 1/2A, NV24 with NV9 x M8 stem
19	(Suction) Pressure tap plug			2/1-22	1	1/4" NPT,SS SQHD	00ID7216		No
19a	(Discharge) Pressure tap plug		2/1-22	1	1/4" NPT,SS SQHD	00ID7216		No	
23, 23c	Plug		2/1-22	*	G 1/2A, NV24, solid	370025	95061733	No	
23d	Plug, Vented for Pos. 77a Cool Top® option only		2/1-18/17	2	G 1/2A, NV24, Vented	96510323		No	
25	Drain plug		2/1-22	1	1/4" NPT,SS SQHD	00ID7216		No	
26	Staybolt		2/1-2	4	M16 x 121mm	97683351		No	
			3	4	M16 x 151mm	97683353		No	
			4	4	M16 x 181mm	97683354		No	
			5	4	M16 x 214mm	97683356		No	
			6	4	M16 x 241mm	97683359		No	
			7	4	M16 x 271mm	97683360		No	
			8	4	M16 x 299mm	97683361		No	
			9	4	M16 x 331mm	97683363		No	
			10	4	M16 x 361mm	97683364		No	
			12	4	M16 x 422mm	290233		No	
			14	4	M16 x 478mm	370200		No	
			16	4	M16 x 540mm	97683374		No	
			18/17	4	M16 x 597mm	380245		No	
			20	4	M16 x 661mm, 4 pole & 50 Hz.	97683380		No	
			22	4	M16 x 720mm, 4 pole & 50 Hz.	97683381		No	
			Staybolt- Back-to-Back, Tandem Seal & Cool Top option	2/1-2	4	M16 x 214mm	97683356		No
				3	4	M16 x 241mm	97683359		No
				4	4	M16 x 271mm	97683360		No
				5	4	M16 x 299mm	97683361		No
				6	4	M16 x 331mm	97683363		No
7	4	M16 x 361mm		97683364		No			
8	4	M16 x 390mm		350189		No			
9	4	M16 x 417mm		380243		No			
10	4	M16 x 450mm		97683368		No			

Due to part changes over time, all position numbers (1-203) may not be used.

This column indicates which pump model uses the spare part. If blank, the part is used in all models.

B.O.M. Ref. No. is only available if it is not included in a kit or does not have a material number listed. If it is included in a kit (YES), or has a material number, request one of these numbers. If not included in a kit (No), but has a Material Number, use Material Number.

Parts List & Kits CRN10-H

Pos. No.	Part Description	Model	Stages	No. Used	Comments/Dimensions	B.O.M. Ref. No.	Material No.	Included in kits ?
----------	------------------	-------	--------	----------	---------------------	-----------------	--------------	--------------------

PARTS LIST

26	Staybolt- Back-to-Back, Tandem Seal & Cool Top option (continued)		12	4	M16 x 514mm	97683372		No			
			14	4	M16 x 570mm	97683376		No			
			16	4	M16 x 632mm	290236		No			
			18/17	4	M16 x 689mm	380246		No			
			20	4	M16 x 750mm, 4 pole & 50 Hz.	97683383		No			
			22	4	M16 x 808mm, 4 pole & 50 Hz.	370204		No			
26a	Strap		2/1-2	2	L* = 78.5mm x 20.3mm x 1.3mm, 316 SS, M8 nut	96487758		No			
			3	2	L* = 108.5mm x 20.3mm x 1.3mm, 316 SS, M8 nut	96487760		No			
			4	2	L* = 138.5mm x 20.3mm x 1.3mm, 316 SS, M8 nut	96487761		No			
			5	2	L* = 168.5mm x 20.3mm x 1.3mm, 316 SS, M8 nut	96487762		No			
			6	2	L* = 198.5mm x 20.3mm x 1.3mm, 316 SS, M8 nut	96487764		No			
			7	2	L* = 228.5mm x 20.3mm x 1.3mm, 316 SS, M8 nut	96487765		No			
			8	2	L* = 258.5mm x 20.3mm x 1.3mm, 316 SS, M8 nut	96487766		No			
			9	2	L* = 288.5mm x 20.3mm x 1.3mm, 316 SS, M8 nut	96487768		No			
			10	2	L* = 318.5mm x 20.3mm x 1.3mm, 316 SS, M8 nut	96487769		No			
			12	2	L* = 378.5mm x 20.3mm x 1.3mm, 316 SS, M8 nut	96487771		No			
			14	2	L* = 438.5mm x 20.3mm x 1.3mm, 316 SS, M8 nut	96487773		No			
			16	2	L* = 498.5mm x 20.3mm x 1.3mm, 316 SS, M8 nut	96487775		No			
			18/17	2	L* = 558.5mm x 20.3mm x 1.3mm, 316 SS, M8 nut	96487777		No			
				20: 4 pole	2	L* = 618.5mm x 20.3mm x 1.3mm, 316 SS, M8 nut	96487778		No		
	22: 4 pole	2	L* = 678.5mm x 20.3mm x 1.3mm, 316 SS, M8 nut	96487781		No					
26b	Bolt for Pos. 26a		2/1-22	2	M8 x 25mm, 316 SS w/Delta Tone/Seal	96416603		No			
26c	Washer for Pos. 26b		2/1-22	2	A4, ϕ 16.0/ ϕ 8.4x1.6mm	001D3284		No			
28	Motor Bolt		2/1-2	4	NEMA, 56C, 1/3 - 2HP, UNC 3/8" x 25mm	001D1839		No			
			3-6	4	NEMA, 182/184TC, 3 - 5HP, UNC 1/2" x 25mm	001D1840		No			
			7-12	4	NEMA, 213TC, 7.5 -10HP, JR 1/2" x 1.25" UNC	001D0185		No			
			14-18/17	4	NEMA, 254TC, 15HP, 1/2" x 2.5" UNC	96491112		No			
28g	Bolt for Foot 56a & Volute pos. 6 (GA, GB, GC)		2/1-22	2	M12 x 20mm, low hex head, 8.8 - S.S., Delta Tone/Seal	97679673		No			
	Bolt - Foot 56a & Volute Pos. 6 (G05, G10, G22, G50, G60)		2/1-22	2	M12 x 20mm, 8.8 - S.S., Delta Tone/Seal	97672732		No			
35	Bolt for Discharge Adapter Pos. 12a (GB, GC)		2/1-18/17	6	M12 x 20mm low hex head, 8.8 - S.S., Delta Tone/Seal	97679673		No			
	Bolt for Discharge Adapter Pos. 12a (GA, G05)		2/1-18/17	4	M12 x 20mm Hex head, 8.8 - S.S., Delta Tone/Seal	97672732		No			
36	Staybolt Nut		2/1-18/17	4	24mm x M16, 316	96550566		No			
37(b)	Sleeve O-ring		2/1-22	◆◆	EPDM, ϕ 170.7 x 3.3mm	96483101		YES			
			2/1-22	◆◆	FKM, ϕ 170.7 x 3.3mm	96483102		YES			
			2/1-22	2	FXM, ϕ 171.25 x 3.3mm	96483109		YES			
			2/1-22	2	FFKM, ϕ 170.7 x 3.3mm	96483140		YES			
37c	Sleeve O-ring (option)		2/1-22	2	FFKM, ϕ 170.7 x 3.3mm	96483140		YES			
			2/1-22	1	EPDM, ϕ 155.0 x 3.0mm	96509703		YES			
	Disc plate O-ring (Cool Top option only)		2/1-22	1	FKM, ϕ 155.0 x 3.0mm	96480168		YES			
39b	O-ring for Discharge Adapter flange Pos. 12a		2/1-17	1	EPDM, Parker 2-238 ϕ 88.5 x 3.5mm	95922035		YES			
			2/1-17	1	FKM, Parker 2-238 ϕ 88.5 x 3.5mm	95922036		YES			
			2/1-17	1	FXM, Parker 2-238 ϕ 88.5 x 3.5mm	95952037		YES			
			2/1-17	1	FFKM, Parker 2-238 ϕ 88.5 x 3.5mm	95131207		YES			
44a	Inlet upper N with Pos. 45 & 65		2/1-22	1		96489071		No			
44c	Inlet upper N with Pos. 45 & 65 (Low NPSH option)		2/1-22	1		96489039		No			
44b	Inlet lower, machined		2/1-22	1		96488000		No			
44d	Spacer ring for low NPSH Pos. 44c		2/1-22	1		96505491	97573624	No			
45	Neck Ring		2/1-22	# imp.-	ϕ 59.5 x ϕ 44.08 x 1.2mm, PTFE-Acoflon 100	96487401		YES			
			2/1-22	1	ϕ 75.8 x ϕ 59.95 x 1.2mm, PTFE-Acoflon 100	96487400		YES			
47a	Bearing Ring/Spacer		2/1-22	^^^^	SiC 150, ϕ 23.4 x ϕ 17.6 x ϕ 15.0 x 14mm	96763100		YES			
			2/1-22	^^^^	TC, ϕ 21.9 x ϕ 17.6 x ϕ 15.0 x 14mm	330085	95061371	YES			
49	Impeller N		2/1-22	# stgs-	ϕ 92.9 x ϕ 44.0 x 13.6mm (back-plate 1.0mm)	96487818		No			
49i	Impeller N (Low NPSH option)		3-22	1	ϕ 104.8 x ϕ 59.85 x 25.4mm (back-plate 1.5mm)	96476527		No			
51	Shaft, Complete		2/1-2	1	ϕ 16 x 179.0mm, 329 SS	96491469		No			
			3	1	ϕ 16 x 209.0mm, 329 SS	96491611		No			
			4	1	ϕ 16 x 239.0mm, 329 SS	96491613		No			
			5	1	ϕ 16 x 269.0mm, 329 SS	96491617		No			
			6	1	ϕ 16 x 299.0mm, 329 SS	96491619		No			
			7	1	ϕ 16 x 329.0mm, 329 SS	96491621		No			
			8	1	ϕ 16 x 359.0mm, 329 SS	96491625		No			
			9	1	ϕ 16 x 389.0mm, 329 SS	96491627		No			
			10	1	ϕ 16 x 419.0mm, 329 SS	96491629		No			
			12	1	ϕ 16 x 479.0mm, 329 SS	96491633		No			
			14	1	ϕ 16 x 539.0mm, 329 SS	96491637		No			
			16	1	ϕ 16 x 599.0mm, 329 SS	96491641		No			
			18/17	1	ϕ 16 x 659.0mm, 329 SS	96491643		No			
			20	1	ϕ 16 x 719.0mm, 329 SS, 4 pole & 50 Hz.	96491645		No			
			22	1	ϕ 16 x 779.0mm, 329 SS, 4 pole & 50 Hz.	96491649		No			
				Shaft, Cpl. (Back-to-Back, Tandem Seal & Cool Top option)		2/1-2	1	ϕ 16 x 269.0mm, 329 SS	96507534		No
						3	1	ϕ 16 x 299.0mm, 329 SS	96507538		No
4	1	ϕ 16 x 329.0mm, 329 SS				96507539		No			
5	1	ϕ 16 x 359.0mm, 329 SS				96507571		No			
6	1	ϕ 16 x 389.0mm, 329 SS				96507572		No			
7	1	ϕ 16 x 419.0mm, 329 SS				96507573		No			
8	1	ϕ 16 x 449.0mm, 329 SS				96507575		No			
9	1	ϕ 16 x 479.0mm, 329 SS				96507576		No			
10	1	ϕ 16 x 509.0mm, 329 SS				96507577		No			

Due to part changes over time, all position numbers (1-203) may not be used.

This column indicates which pump model uses the spare part. If blank, the part is used in all models.

B.O.M. Ref. No. is only available if it is not included in a kit or does not have a material number listed. If it is included in a kit (YES), or has a material number, request one of these numbers. If not included in a kit (No), but has a Material Number, use Material Number.

Parts List & Kits CRN10-H

Pos. No.	Part Description	Model	Stages	No. Used	Comments/Dimensions	B.O.M. Ref. No.	Material No.	Included in kits ?
----------	------------------	-------	--------	----------	---------------------	-----------------	--------------	--------------------

PARTS LIST

51	Shaft, Cpl. (Back-to-Back, Tandem Seal & Cool Top option) (continued)		12	1	Ø16 x 569.0mm, 329 SS	96507579		No			
			14	1	Ø16 x 629.0mm, 329 SS	96507581		No			
			16	1	Ø16 x 689.0mm, 329 SS	96507583		No			
			18/17	1	Ø16 x 749.0mm, 329 SS	96507584		No			
			20	1	Ø16 x 809.0mm, 329 SS, 4 pole & 50 Hz.	96507585		No			
			22	1	Ø16 x 869.0mm, 329 SS, 4 pole & 50 Hz.	96507587		No			
55	Outer Sleeve		2/1-2	1	Ø171.1/ Ø170.7 x 74.0mm x 2.0mm, 316 SS	96489818		No			
			3	1	Ø171.1/ Ø170.7 x 104.0mm x 2.0mm, 316 SS	96489819		No			
			4	1	Ø171.1/ Ø170.7 x 134.0mm x 2.0mm, 316 SS	96489820		No			
			5	1	Ø171.1/ Ø170.7 x 164.0mm x 2.0mm, 316 SS	96489822		No			
			6	1	Ø171.1/ Ø170.7 x 194.0mm x 2.0mm, 316 SS	96489823		No			
			7	1	Ø171.1/ Ø170.7 x 224.0mm x 2.0mm, 316 SS	96489855		No			
			8	1	Ø171.1/ Ø170.7 x 254.0mm x 2.0mm, 316 SS	96489825		No			
			9	1	Ø171.1/ Ø170.7 x 284.0mm x 2.0mm, 316 SS	96489826		No			
			10	1	Ø171.1/ Ø170.7 x 314.0mm x 2.0mm, 316 SS	96489827		No			
			12	1	Ø171.1/ Ø170.7 x 374.0mm x 2.0mm, 316 SS	96489829		No			
			14	1	Ø171.1/ Ø170.7 x 434.0mm x 2.0mm, 316 SS	96489830		No			
			16	1	Ø171.1/ Ø170.7 x 494.0mm x 2.0mm, 316 SS	96489832		No			
			18/17	1	Ø171.1/ Ø170.7 x 554.0mm x 2.0mm, 316 SS	96489833		No			
			20: 4 pole	1	Ø171.1/ Ø170.7 x 614.0mm x 2.0mm, 316 SS, 50Hz.	96489834		No			
			22: 4 pole	1	Ø171.1/ Ø170.7 x 674.0mm x 2.0mm, 316 SS, 50Hz.	96489859		No			
			55b	Sleeve flange		2/1-22	1	CR-H, CRN-H10, 15, 20, 316 SS.	95131164		No
			56a	Foot (Cast Iron) for Pos. 6 (GA, GB, GC)	254TC	2/1-22	1	H= 21mm, W= 198mm, Ø16mm hole CL 142mm, Cl.	95922023		No
						2/1-22	1	H= 98mm, W= 300mm, Ø16mm hole CL 248mm, Cl.	95922024		No
2/1-22	1	H= 142mm, W= 300mm, Ø16mm hole CL 248mm, Cl.				96834143		No			
2/1-22	1	H= 21mm, W= 198mm, Ø16mm hole CL 142mm, SS				95922074		No			
2/1-22	1	H= 98mm, W= 300mm, Ø16mm hole CL 248mm, SS				95922076		No			
2/1-22	1	H= 142mm, W= 300mm, Ø16mm hole CL 248mm, SS				97655729		No			
56b(d)	Washer for bolt Pos. 56c		2/1-22	16	M12, 304 SS	001D3103		No			
56c	Bolt for sleeve flange Pos. 55b		2/1-22	8	M12x1.75 x60mm, 12.9 Alloy Steel, Delta Tone/Seal	97672735		No			
56e	Nut for bolt Pos. 56c		2/1-22	8	M12, NV19, 8.8 Steel, Delta Tone/Seal	001D7917		No			
56f	Bolt for Pos. 90 (BP139 w/GA, BP245 G05/22)	56/182T	2/1-6	2	Hex Hd.1/2 -13 UNC x 1" SAE 5, Z.P.			YES			
			254TC	14-18/17	2	Hex Hd.1/2 -13 UNC x 1" SAE 5, Z.P.			YES		
			213TC	7-12	2	Hex Head 1/2 -13 UNC x 1.25" SAE 5, Zinc plated			YES		
			254TC	14-18/17	2	Hex Head 1/2 -13 UNC x 2.25" SAE 5, Zinc plated			YES		
56g	Washer for bolt pos.56f	GA	2/1-22	2	1/2" SAE, Zinc plated			YES			
			14-18/17	1	148BP 254T, L=200mm x H=25.4mm x W=78.2mm			YES			
56k	Spacer for base Pos. 90	GA	14-18/17	1	148BP 254T, L=200mm x H=25.4mm x W=78.2mm			YES			
56m	Alignment pin	GA	14-18/17	2	Slotted Spring Pin, Ø3/16" x 1" ASME, Zinc plated			YES			
60	Stack Compression Spring		2/1-22	4	Ø11.0 x Ø7.0 x 15.5mm, EPDM	96503070		YES			
			2/1-22	4	Ø11.0 x Ø7.0 x 15.5mm, FKM	96503072		YES			
			2/1-22	4	Ø11.0 x Ø7.0 x 15.5mm, PTFE	96503071		YES			
61	Stop spacer		2/1-22	1	Ø29.0 x Ø18.4 x Ø17.6 x Ø15.0 x 9.5 x 2mm	96783511		YES			
64	Spacing Pipe		2/1-22	1	Ø21.5 x Ø17.5 x 29.05mm	331404	95061499	No			
64a	Spacing Pipe		2/1&18/17	1	Ø21.5 x Ø17.5 x 9.0mm	96495333		YES			
64b	Spacing Pipe (Low NPSH option only)		2/1&18/17	2	Ø21.5 x Ø17.5 x 10.05mm	331402	95061472	No			
64c	Clamp, Splined		2/1-22	1	Ø21.5 x Ø17.6 x Ø15.0 x 12.7mm	96496311		YES			
64d	Spacing Pipe		2/1-22	1	Ø21.5 x Ø17.5 x 6.0mm	331412		No			
64e	Spacing Pipe (Low NPSH option only)		2/1-22	1	Ø21.5 x Ø17.5 x 38.0mm	331406	95061629	No			
64g	Spacing Pipe (de-staging 2 impellers option only)		3-22	1 per de-stg	Ø21.5 x Ø17.5 x 30.0mm (use with 3b only)	331410		No			
65	Neck Ring Retainer N		2/1-22	# stgs-	Ø61.9 x Ø47.2 x 4.7mm	96487285		YES			
			2/1-22	1	Ø78.8 x Ø61.5 x 6.7mm	330059	96547341	No			
66	Lock Washer Set for Shaft		2/1-22	1	Ø13.5 x Ø8.2 x 2.6mm	96417297		YES			
66a	Washer for Staybolt		2/1-22	4	DIN 125A, Ø30 x Ø17 x 2.5mm, 316 SS	001D3104		No			
67	Lock Nut for Shaft		2/1-22	1	13mm x M8	96496488		YES			
69	Spacing Pipe		2/1-22	⊖	Ø21.5 x Ø17.5 x 18.0mm	96491536		No			
69a	Spacing Pipe (de-staging 1 impeller option only)		2/1&18/17	1	Ø21.5 x Ø17.5 x 19.0mm (use with 3a only)	331409	95062143	No			
72a	O-ring for Sleeve Flange Pos. 55b		2/1-22	1	EPDM, Ø215.5mm	95922038		YES			
			2/1-22	1	FKM, Ø215.5mm	95922039		YES			
			2/1-22	1	FFKM, Ø215.5mm	95131208		YES			
			2/1-22	1	FKM, Ø215.5mm	95922040		YES			
76	Nameplate		2/1-22	1	304SS, 60 x 45mm	96563333		No			
76a	Rivet for Nameplate		2/1-22	2	304SS, Ø3 x 5mm	96022882		No			
77	Pump Head Cover for motor stool Pos.2		2/1-22	1	Cast Stainless	96490647		No			
77a	Pump Head Cover for Tandem Seal & Cool Top		2/1-22	1	Cast Stainless	96505487		No			
			2/1-22	1	Cast Stainless	96505488		No			
79a	Disc / Plate complete w/79b & c for Cool Top		2/1-22	1	Cast Stainless	96511281		No			
79b	Bushing for Disc / Plate 79a		2/1-22	1	Graflon	96505571		No			
79c	Retaining Ring for 79b		2/1-22	1	Stainless	96510985		No			
90	Main Support Baseplate	GA	2/1-5	1	BP. Cpl.139, L=991mm x W=305mm x H=106.5mm	96956336		YES			
			GA	7-12	1	BP. Cpl.148, L=1219mm x W=381mm x H=107.9mm	96956346		YES		
			G05/22	2/1-6	1	BP. Cpl.245, L=1143mm x W=305mm x H=106.5mm	96956341		YES		
			G05/22	7-12	1	BP. Cpl.252, L=1320.8mm x W=381mm x H=107.9mm	96956356		YES		
			G05	16	1	BP. Cpl.258, L=1473.2mm x W=457.2mm x H=119.1mm	96956360		YES		
			G22	14-18/17	1	BP. Cpl.258, L=1473.2mm x W=457.2mm x H=119.1mm	96956360		YES		

Due to part changes over time, all position numbers (1-203) may not be used.

This column indicates which pump model uses the spare part. If blank, the part is used in all models.

B.O.M. Ref. No. is only available if it is not included in a kit or does not have a material number listed. If it is included in a kit (YES), or has a material number, request one of these numbers. If not included in a kit (No), but has a Material Number, use Material Number.

Parts List & Kits CRN10-H

Pos. No.	Part Description	Model	Stages	No. Used	Comments/Dimensions	B.O.M. Ref. No.	Material No.	Included in kits ?
----------	------------------	-------	--------	----------	---------------------	-----------------	--------------	--------------------

PARTS LIST

90	Main Support Baseplate - Longer versions	GA	6	1	XLBP1(139/245), L=1500mm x W=381mm x H=106.5mm	96956376		YES		
		GA,G05	14-18/17	1	XLBP2(148/252), L=1777.8mm x W=381mm x H=107.9mm	96956377		YES		
		G22	14-18/17	1	XLBP3(258/264), L=2406.4mm x W=457.2mm x H=120mm	96956379		YES		
90a	Bolt for motor to slider Pos. 90b	56C	2/1-2	4	Hex Head 5/16 -18 UNC x .75" SAE 5, Zinc plated for GA			YES		
		56/182	2/1-6	4	Hex Head 5/16 -18 UNC x .75" SAE 5, Zinc plated for G05/22			YES		
		182TC	3-6	4	Hex Head 3/8 -16 UNC x .5" SAE 5, Zinc plated for GA			YES		
		213TC	7-12	4	Hex Head 3/8 -16 UNC x 5/8" SAE 5, Zinc plated for GA			YES		
		213TC	7-12	4	Hex Head 3/8 -16 UNC x 1" SAE 5, Zinc plated for G05/22			YES		
		254TC	14-18/17	4	Hex Head 1/2 -13 UNC x 1.5" SAE 5, Zinc plated for GA			YES		
		254TC	14-18/17	4	Hex Head 1/2 -13 UNC x 1.25" SAE 5, Z.P. for G05/22			YES		
90b	Motor support / slider	56C	2/1-2	2	GA,GB,GC, BP139, L=204mm x H=45.5mm x W=25.4mm	96956339		YES		
		182TC	3-6	2	GA,GB,GC, BP139, L=230mm x H=23mm x W=25.4mm	96956338		YES		
		213TC	7-12	2	GA,GB,GC, BP148, L=252mm x H=20mm x W=25.4mm	96956347		YES		
		254TC	14-18/17	2	GA,GB,GC, BP148, L=299mm x H=20.3mm x W=25.4mm	96956348		YES		
		56C	2/1-2	2	G05, G22, BP245, L=204mm x H=125.5mm x W=25.4mm	96956343		YES		
		182TC	3-6	2	G05, G22, BP245, L=230mm x H=100mm x W=25.4mm	96956342		YES		
		213TC	7-12	2	G05, G22, BP252, L=252mm x H=96.5mm x W=25.4mm	96956357		YES		
		254C	14-18/17	2	G05, G22, BP252, L=354mm x H=67mm x W=25.4mm	96956361		YES		
		90c	Support Bracket for Pump Cartridge		2/1-22	1	304 SS, H=59mm CL of hole, GA/GB/GC	95131178		No
					2/1-22	1	304 SS, H=136mm CL of hole, G05/G10/G22/G50/G60	95131180		No
	2/1-22			1	304 SS, H=180mm CL of hole, G20/G30	96834148		No		
90d	Bolt for motor slider Pos. 90b to base Pos. 90	56C	2/1-2	4	Hex Head 1/4 -20 UNC x 1" SAE 5, Zinc plated			YES		
		182/213	3-12	4	Hex Head 1/4 -20 UNC x 1.75" SAE 5, Zinc plated for GA			YES		
		213-254	7-18/17	4	Hex Head 1/4 -20 UNC x 1.75" SAE 5, Z.P. for G05/22			YES		
		254TC	14-18/17	4	Hex Head 1/4 -20 UNC x 2.5" SAE 5, Zinc plated for GA			YES		
90f	Washer for motor bolt Pos. 90a to slider Pos. 90b	56C	2/1-2	4	5/16" SAE, Zinc plated			YES		
		182/213	3-6	4	3/8" SAE, Zinc plated			YES		
		254TC	14-18/17	4	1/2" SAE, Zinc plated			YES		
100(a)	Priming/Vent Plug O-ring		2/1-22	■	EPDM, ø16.3 x 2.4mm	00ID1288		YES		
			2/1-22	■	FKM, ø16.3 x 2.4mm	00ID2231		YES		
			2/1-22	■	FFKM, ø16.3 x 2.4mm	96428162	96587720	YES		
			2/1-22	■	FXM, ø16.3 x 2.4mm	96442869	96587721	YES		
105(b)	Shaft Seal HQBE Shaft Seal HQBV Shaft Seal HQQE Shaft Seal HQQV Shaft Seal HQQF (option) Shaft Seal HQQK (option) Shaft Seal HUBE Shaft Seal HUBV Shaft Seal HUBF (option) Shaft Seal HUBK (option) Shaft Seal HUUE Shaft Seal HUUV Shaft Seal HUUF (option) Shaft Seal HUUK (option)		2/1-22	***	SiC, Carbon with resin-impregnated, EPDM	96484076		YES		
			2/1-22	***	SiC, Carbon with resin-impregnated, FKM	96484077		YES		
			2/1-22	***	SiC, SiC, EPDM	96484071		YES		
			2/1-22	***	SiC, SiC, FKM	96484072		YES		
			2/1-22	***	SiC, SiC, FXM	96484075		YES		
			2/1-22	***	SiC, SiC, FFKM	96484074		YES		
			2/1-22	***	TC, Carbon with resin-impregnated, EPDM	96483952		YES		
			2/1-22	***	TC, Carbon with resin-impregnated, FKM	96483964		YES		
			2/1-22	***	TC, Carbon with resin-impregnated, FXM	96483966		YES		
			2/1-22	***	TC, Carbon with resin-impregnated, FFKM	96483965		YES		
			2/1-22	***	TC, TC, EPDM	96483967		YES		
			2/1-22	***	TC, TC, FKM	96483968		YES		
109a	O-ring for Disk Plate 79a (Cool Top option only)		2/1-22	1	ø27.2 x 2.75mm, EPDM	96483103		YES		
			2/1-22	1	ø27.2 x 2.75mm, FKM	96483104		YES		
			2/1-22	1	ø27.2 x 2.75mm, FXM	96483141		YES		
117	Pipe for Air Vent 118		2/1-22	1	G1/2, 316SS	96525189		YES		
117a	Counter Nut for Pipe 117		2/1-22	2	NV24, internal G1/2, 316SS	96506709		YES		
118	Air Vent		2/1-22	1	Air vent type 1511-AV - 5/6430	96427483		YES		
201	Flange, Suction, Cast Iron - 80-55-06(GGG50)		2/1-10	1	1.5" 150#, 4 x 1/2"-13 UNC threaded flge, Cast Iron, e-coat	96922828		No		
			2/1-10	1	2" 150#, 4 x 5/8"-11 UNC threaded flange, Cast Iron, e-coat	96922829		No		
			2/1-10	1	3" 150#, 8 x non thread flange, Cast Iron, electrocoated	350085		No		
			12-22	1	1.5" 300#, 4 x 3/4"-10 UNC threaded flge, Cast Iron, e-coat	96956145		No		
			12-22	1	2" 300#, 8 x 5/8"-11 UNC threaded flange, Cast Iron, e-coat	96956146		No		
			12-22	1	3" 300#, 8 x 3/4"-10 UNC threaded flge, Cast Iron, e-coat	96956147		No		
	Flange, Suction, Stainless Steel - CF8M (1.4408)	GI	2/1-10	1	1.5" 150#, 4 x 1/2"-13 UNC threaded flange, SS	97644306		No		
		GI	2/1-10	1	2" 150#, 4 x 5/8"-11 UNC threaded flange, SS	97644309		No		
		GI	2/1-10	1	3" 150#, 8 x non thread flange, SS	350022		No		
		GI	12-22	1	1.5" 300#, 4 x 3/4"-10 UNC threaded flange, SS	97644307		No		
201a	Flange, Discharge, Cast Iron - 80-55-06(GGG50)	GI	2/1-10	1	1" 150#, 4 x 1/2"-13 UNC threaded flange, Cast Iron, e-coat	96922827		No		
		GI	2/1-10	1	1.5" 150#, 4 x 1/2"-13 UNC threaded flge, Cast Iron, e-coat	96922828		No		
		GI	2/1-10	1	2" 150#, 4 x 5/8"-11 UNC threaded flange, Cast Iron, e-coat	96922829		No		
		GI	12-22	1	1" 300#, 4 x 5/8"-11 UNC threaded flange, Cast Iron, e-coat	96956144		No		
		GI	12-22	1	1.5" 300#, 4 x 3/4"-10 UNC threaded flge, Cast Iron, e-coat	96956145		No		
		GI	12-22	1	2" 300#, 8 x 5/8"-11 UNC threaded flange, Cast Iron, e-coat	96956146		No		

Due to part changes over time, all position numbers (1-203) may not be used.

This column indicates which pump model uses the spare part. If blank, the part is used in all models.

B.O.M. Ref. No. is only available if it is not included in a kit or does not have a material number listed. If it is included in a kit (YES), or has a material number, request one of these numbers. If not included in a kit (No), but has a Material Number, use Material Number.

Parts List & Kits CRN10-H

Pos. No.	Part Description	Model	Stages	No. Used	Comments/Dimensions	B.O.M. Ref. No.	Material No.	Included in kits?
----------	------------------	-------	--------	----------	---------------------	-----------------	--------------	-------------------

PARTS LIST

201a	Flange, Discharge, Stainless Steel-CF8M (1.4408)	GI	2/1-10	1	1" 150#, 4 x 1/2"-13 UNC threaded flange, SS	97644302		No
		GI	2/1-10	1	1.5" 150#, 4 x 1/2"-13 UNC threaded flange, SS	97644306		No
		GI	2/1-10	1	2" 150#, 4 x 5/8"-11 UNC threaded flange, SS	97644309		No
		GI	12-22	1	1" 300#, 4 x 5/8"-11 UNC threaded flange, SS	97644304		No
		GI	12-22	1	1.5" 300#, 4 x 3/4"-10 UNC threaded flange, SS	97644307		No
		GI	12-22	1	2" 300#, 8 x 5/8"-11 UNC threaded flange, SS	97644310		No
		GI	12-22	1	3" 300#, 8 x 3/4"-10 UNC threaded flange, SS	97644313		No
203	Retaining ring for 201, 1.5" flange		2/1-22	1	ø72.6mm x 5mm	96475395	96547671	No
			2/1-22	1	ø86.6mm x 5mm	96475396		No
			2/1-22	1	ø121mm x 6mm	350009		No
203a	Retaining ring for 201a, 1.0" flange		2/1-22	1	ø53.6mm x 3.2mm	96439718		No
			2/1-22	1	ø72.6mm x 5mm	96475395	96547671	No
			2/1-22	1	ø86.6mm x 5mm	96475396		No
			2/1-22	1	ø121mm x 6mm	350009		No

Due to part changes over time, all position numbers (1-203) may not be used.

This column indicates which pump model uses the spare part. If blank, the part is used in all models.

B.O.M. Ref. No. is only available if it is not included in a kit or does not have a material number listed. If it is included in a kit (YES), or has a material number, request one of these numbers. If not included in a kit (No), but has a Material Number, use Material Number.

NOTES:

The first number is the total number of impellers. There are a few exceptions to this format:

Example: A CRN 10-1 is actually a CRN 10-2/1. It has 2 chambers, 1 impeller (de-staged by 1), and uses a 2 stage shaft.

Example: A CRN10-17 is actually a CRN10-18/17. It has 18 chambers, 17 impellers (de-staged by 1), and uses an 18 stage shaft.

Exception to the above: Low NPSH models:

Low NPSH CRN10 have one less impeller and chamber than what is listed on the nameplate.

Example: An LNPSH CRN10-3 is actually a CRN10-3/2. It has 3 chambers, 2 impellers, and uses a 4 stage shaft.

Example: An LNPSH CRN10-22 is actually a CRN10-21. It has 21 chambers, 21 impellers, and uses a 22 stage shaft.

YES* If the YES is followed by an asterisk, the part in kit is made of upgraded material (example 304 SS changed to 316 SS for Pos. 4a).

* 1 2 to 16 and 18 to 22 stage use Pos. 3
2 /1 and 18/17 stage use Pos. 3a
De-staging by two impellers use one 3a and one 3b

^^^ 2/1 and 2 stage use 0
3 to 8 stage = # of stages less 2
9 to 14 stage = # of stages less 3
16 to 22 stage = # of stages less 4

Exception to the above: Low NPSH models
4/2 and 4/3 stage use 0
5/4 to 8/7 stage = # of stages less 4
9/8 to 16/15 stage = # of stages less 5
18/16 to 22/21 stage = # of stages less 6
De-staging by two impellers use 1 less than stated above.

^^^^ 2/1 to 8 stage = use 1
9 to 14 stage = use 2
16 to 22 stage = use 3

Exception to the above: Low NPSH models
16/15 stage = use 2
18 stage and up = use 3

* Standard use 1. Back-to-Back or Tandem pump version use 5, Cool Top® use 3

* Standard use 1. Back-to-Back or Tandem pump version use 2

** Standard use 1. Back-to-Back or Tandem pump version use 2

*** Standard use 1. Back-to-Back or Tandem pump version use 2

NOTES (continued):

⊖ Standard use 1. CR(I,N)10-2/1 and 10-18/17 replace with Pos. 69a

stgs Use the number of stages in standard models, less one in de-staged and Low NPSH models.

imp. Use the number of stages in standard models, less one in de-staged and Low NPSH models.

◆◆ Standard use 2. Back-to-Back or Tandem pump version use 3, Cool Top use 1 EPDM or FKM and 2 FXM in lower hot section of pump.

■ Standard use 2. Back-to-Back or Tandem pump version use 6

L* Is a tip-to-tip length which includes the bends for slot engagement. Bottom tip to bend is 4.5mm shorter than the tip-to-tip value.

Key to Symbols

KITS	Recommended spare part
∅	Diameter
ANSI	American National Standards Institute
CPL	Complete Assembly – these parts consist of more than one component
EPDM	Ethylene Propylene (also known as EPR and EPT) – an elastic substance similar to rubber
FFKM	Kalrez Elastomer made by DuPont
FKM	Fluoro Elastomer (generic for Viton)
FXM	Fluoraz Elastomer made by Greene Tweed
IEC	International Electro-technical Commission (European standards)
M	International standard thread size designation (thread diameter in mm)
mm	Millimeter
MG	Identifies Grundfos motor type/size
N	Stamp code for 316 SS or similar
NBR	Buna - N (also known as Nitrile) – an elastic substance similar to rubber
NEMA	National Electrical Manufacturers Association
NPSH	Net Positive Suction Head
PTFE	Teflon
SiC	Silicon Carbide
SS	Stainless Steel
TC	Tungsten Carbide
UNC	Unified National Coarse – a standard for threads on bolts

Spare Part Kits CRN10-H

SPARE PART KITS

Since certain pump parts can be expected to exhibit wear at the same time as related pump parts, they have been grouped into the following kits for your convenience. The numbers indicate the quantity of the part within each kit. Please order these kits using the kit material number at the top of the columns.

CR(I, N)10 SiC Bearing		Kit No.	96511889		
WEAR PARTS KIT 1-8		Kit No.	96511922		
WEAR PARTS KIT 9-14		Kit No.	96511925		
WEAR PARTS KIT 15-22		Kit No.	96511925		
Pos. No.	Description	Material No.	Qty. Included in each Kit		
4a	Chamber N Cpl. w/Pos.45 & 65 & SiC Bearing	96747281	1	2	3
26b	Bolt for strap, M8 x 25mm, 316 SS w/Delta Seal	96416603	2	2	2
26c	Washer for strap, A4, $\phi 16.0/\phi 8.4 \times 1.6$ mm	00ID3284	2	2	2
45	Neck Ring, $\phi 59.5 \times \phi 44.08 \times 1.2$ mm, PTFE-Acoflon 100	96487401	7	12	19
47a	Bearing Ring/Spacer, SiC 150, $\phi 23.4 \times 14$ mm	96763100	1	2	3
61	Stop Spacer, $\phi 29.0 \times \phi 18.4 \times \phi 17.6 \times \phi 15.0 \times 9.5 \times 2$ mm	330072	1	1	1
62	Stop Ring, $\phi 16.6 \times \phi 15.0 \times 1.6$ mm	330057	1	1	1
64a	Spacing Pipe, $\phi 21.5 \times \phi 17.5 \times 9.0$ mm	96495333	1	2	3
64c	Clamp, Splined, $\phi 21.5 \times \phi 17.6 \times \phi 15.0 \times 12.7$ mm	96496311	1	1	1
64d	Spacing Pipe, $\phi 21.5 \times \phi 17.5 \times 6.0$ mm	331412	1	2	3
65	Neck Ring Retainer, N, $\phi 61.9 \times \phi 47.2 \times 4.7$ mm	96487285	7	12	19
66	Lock Washer Set of 2, $\phi 13.5 \times \phi 8.2 \times 2.6$ mm	96417297	1	1	1
67	Lock Nut, 13mm x M8	96496488	1	1	1

CR(I, N)10 Grafion Bearing		Kit No.	96511921		
WEAR PARTS KIT 1-8		Kit No.	96511924		
WEAR PARTS KIT 9-14		Kit No.	96511927		
WEAR PARTS KIT 15-22		Kit No.	96511927		
Pos. No.	Description	Material No.	Qty. Included in each Kit		
4a	Chamber N Cpl. w/Pos.45 & 65 & Grafion Bearing	96492496	1	2	3
26b	Bolt for strap, M8 x 25mm, 316 SS w/Delta Seal	96416603	2	2	2
26c	Washer for strap, A4, $\phi 16.0/\phi 8.4 \times 1.6$ mm	00ID3284	2	2	2
45	Neck Ring, $\phi 59.5 \times \phi 44.08 \times 1.2$ mm, PTFE-Acoflon 100	96487401	7	12	19
47a	Bearing Ring/Spacer, TC 150, $\phi 21.9 \times 14$ mm	330085	1	2	3
61	Stop Spacer, $\phi 29.0 \times \phi 18.4 \times \phi 17.6 \times \phi 15.0 \times 9.5 \times 2$ mm	330072	1	1	1
62	Stop Ring, $\phi 16.6 \times \phi 15.0 \times 1.6$ mm	330057	1	1	1
64a	Spacing Pipe, $\phi 21.5 \times \phi 17.5 \times 9.0$ mm	96495333	1	2	3
64c	Clamp, Splined, $\phi 21.5 \times \phi 17.6 \times \phi 15.0 \times 12.7$ mm	96496311	1	1	1
64d	Spacing Pipe, $\phi 21.5 \times \phi 17.5 \times 6.0$ mm	331412	1	2	3
65	Neck Ring Retainer, N, $\phi 61.9 \times \phi 47.2 \times 4.7$ mm	96487285	7	12	19
66	Lock Washer Set of 2, $\phi 13.5 \times \phi 8.2 \times 2.6$ mm	96417297	1	1	1
67	Lock Nut, 13mm x M8	96496488	1	1	1

CR(I)10 Bronze Bearing		Kit No.	96511920		
WEAR PARTS KIT 1-8		Kit No.	96511923		
WEAR PARTS KIT 9-14		Kit No.	96511926		
WEAR PARTS KIT 15-22		Kit No.	96511926		
Pos. No.	Description	Material No.	Qty. Included in each Kit		
4a	Chamber N Cpl. w/Pos.45 & 65 & Bronze Bearing	96492498	1	2	3
26b	Bolt for strap, M8 x 25mm, 316 SS w/Delta Seal	96416603	2	2	2
26c	Washer for strap, A4, $\phi 16.0/\phi 8.4 \times 1.6$ mm	00ID3284	2	2	2
45	Neck Ring, $\phi 59.5 \times \phi 44.08 \times 1.2$ mm, PTFE-Acoflon 100	96487401	7	12	19
47a	Bearing Ring/Spacer, TC 150, $\phi 21.9 \times 14$ mm	330085	1	2	3
61	Stop Spacer, $\phi 29.0 \times \phi 18.4 \times \phi 17.6 \times \phi 15.0 \times 9.5 \times 2$ mm	330072	1	1	1
62	Stop Ring, $\phi 16.6 \times \phi 15.0 \times 1.6$ mm	330057	1	1	1
64a	Spacing Pipe, $\phi 21.5 \times \phi 17.5 \times 9.0$ mm	96495333	1	2	3
64c	Clamp, Splined, $\phi 21.5 \times \phi 17.6 \times \phi 15.0 \times 12.7$ mm	96496311	1	1	1
64d	Spacing Pipe, $\phi 21.5 \times \phi 17.5 \times 6.0$ mm	331412	1	2	3
65	Neck Ring Retainer, N, $\phi 61.9 \times \phi 47.2 \times 4.7$ mm	96487285	7	12	19
66	Lock Washer Set of 2, $\phi 13.5 \times \phi 8.2 \times 2.6$ mm	96417297	1	1	1
67	Lock Nut, 13mm x M8	96496488	1	1	1

HQxx SHAFT SEAL KIT, BALANCED CARTRIDGE		Kit No.	96511848		
(Maximum allowed working PSI is 435)		Kit No.	96511849		
(Tandem Seal option Pumps require 2 of each Seal Kit)		Kit No.	96511844		
		Kit No.	96511847		
		Kit No.	96511846		
		Kit No.	96511845		
Pos. No.	Description	Material No.	Qty. Included in each Kit		
105	HQBE	96484076*	1		
	HQBV	96484077*		1	
	HQQE	96484071*			1
	HQQF	96484075*			1
	HQQK	96484074*			1
	HQQV	96484072*			1
N/A	Grinding Device Tool for Emery Cloth	370711	1	1	1
N/A	Emery Cloth	370712	1	1	1

* Seal material number includes the Adjusting fork 96483950.

STACK KITS (SiC) Pos.80	
Model	Material No.
CRN10-2/1	96491720
CRN10-2	96491721
CRN10-3	96491722
CRN10-4	96491723
CRN10-5	96491724
CRN10-6	96491725
CRN10-7	96491726
CRN10-8	96491727
CRN10-9	96491728
CRN10-10	96491729
CRN10-12	96491730
CRN10-14	96491731
CRN10-16	96491732
CRN10-18/1	96529405
*** CRN10-18	96491733
*** CRN10-20	96491734
*** CRN10-22	96491735

***For 4 pole & 50 Hz. operation only.

SPARE PART KITS (Continued)

HUxx SHAFT SEAL KIT, BALANCED CARTRIDGE (Maximum allowed working PSI is 435) (Tandem Seal option Pumps require 2 of each Seal Kit)		Kit No.	96511836	96511839	96511838	96511837	96511840	96511843	96511842	96511841
105	HUBE	96483952*	1							
	HUBF	96483966*		1						
	HUBK	96483965*			1					
	HUBV	96483964*				1				
	HUUE	96483967*					1			
	HUUF	96484070*						1		
	HUUK	96483969*							1	
	HUUV	96483968*								1
N/A	Grinding Device Tool for Emery Cloth	370711	1	1	1	1	1	1	1	1
N/A	Emery Cloth	370712	1	1	1	1	1	1	1	1

* Seal material number includes the Adjusting fork 96483950.

Standard CR Gasket Kits

GASKET KIT (EPDM)		Kit No.	96509609	96509610	96534871	96533374	96525433	96525434	96525435	96525436	96525432
GASKET KIT (FKM)		Kit No.									
GASKET KIT (FKM)		Kit No.									
GASKET KIT (FFKM)		Kit No.									
GASKET KIT (EPDM)-Double Seal option.		Kit No.									
GASKET KIT (FKM)-Double Seal option.		Kit No.									
GASKET KIT (FFKM/EPDM)-Double Seal option.		Kit No.									
GASKET KIT (FFKM/FKM)-Double Seal option.		Kit No.									
GASKET KIT (FKM/EPDM)-Cool Top option.		Kit No.									
Pos. No.	Description	Material No.	Qty. Included in each Kit								
37	Sleeve O-ring, EPDM (WRC NSF), ϕ 170.7 x 3.3mm	96483101	2				3			1	
	Sleeve O-ring, FKM, ϕ 170.7 x 3.3mm	96483102		2				3			1
37b	Sleeve O-ring, FKM, ϕ 171.25 x 3.3mm	96483109			2						2
	Sleeve O-ring, FFKM, ϕ 170.7 x 3.3mm	96483140				2			2		
37c	Disc Plate O-ring, EPDM, ϕ 155.0 x 3.0mm	96509703									1
	Disc Plate O-ring, FKM, ϕ 155.0 x 3.0mm	96480168									
38, 100(a,b)	Drain Plug O-ring, EPDM, ϕ 16.3 x 2.4mm	00ID1288	3				7			4	1
	Drain Plug O-ring, FKM, ϕ 16.3 x 2.4mm	00ID2231		3				7			4
	Drain Plug O-ring, FKM, ϕ 16.3 x 2.4mm	96442869			3						3
	Drain Plug O-ring, FFKM, ϕ 16.3 x 2.4mm	96428162				3			3		
38a	Drain Plug O-ring, EPDM, ϕ 5.3 x 2.4mm	00ID2142	1				1				
	Drain Plug O-ring, FKM, ϕ 5.3 x 2.4mm	00ID3945						1			
	Drain Plug O-ring, FKM, ϕ 5.3 x 2.4mm	96511292		1							1
	Drain Plug O-ring, FFKM, ϕ 5.3 x 2.4mm	96511293				1			1	1	
39	Flange O-ring, EPDM, ϕ 90 x 3mm	96496200	2				2				
	Flange O-ring, FKM, ϕ 90 x 3mm	00ID2856		2				2			
	Flange gasket, Fiber, 122mm x ϕ 60 x ϕ 44 x 2mm	420039	2	2	2	2	2	2	2	2	2
	Flange gasket, Fiber, ϕ 102 x ϕ 65 x 2mm	330035	2	2	2	2	2	2	2	2	2
	Flange gasket, Fiber, ϕ 92 x ϕ 49 x 2mm	00ID2582	2	2	2	2	2	2	2	2	2
60(a)	Stack Compression Spring, EPDM, ϕ 11.0x ϕ 7.0x15.5mm	96503070	4				4				4
	Stack Compression Spring, FKM, ϕ 11.0x ϕ 7.0x15.5mm	96503072		4				4			
	Stack Compression Spring, PTFE, ϕ 11.0x ϕ 7.0x15.5mm	96503071				4	4		4	4	4
109a	Disc Plate O-ring, EPDM, ϕ 27.5 x 2.75mm	96483103									
	Disc Plate O-ring, FKM, ϕ 27.5 x 2.75mm	96483104									
	Disc Plate O-ring, FKM, ϕ 27.5 x 2.75mm	96483141									1

Add to above standard gaskets to complete desired CRH, CRNH model

Kit, O-ring EPDM CR-H, CRN-H10/15/20/32 GA/G05/G22		Kit No.	96922800	96922802	96922816	96922822	96956134	96956135	96923565	96923571	
Kit, O-ring FKM CR-H, CRN-H10/15/20/32 GA/G05/G22 <td>Kit No.</td> <td></td> <td></td> <td></td> <td></td> <td></td> <td></td> <td></td> <td></td>		Kit No.									
Kit, O-ring FFKM CR-H, CRN-H10/15/20/32 GA/G05/G22 <td>Kit No.</td> <td></td> <td></td> <td></td> <td></td> <td></td> <td></td> <td></td> <td></td>		Kit No.									
Kit, O-ring FFKM CR-H, CRN-H10/15/20/32 GA/G05/G22 <td>Kit No.</td> <td></td> <td></td> <td></td> <td></td> <td></td> <td></td> <td></td> <td></td>		Kit No.									
Kit, O-ring EPDM CR-H, CRN-H10/15/20/32 GB-G60 <td>Kit No.</td> <td></td> <td></td> <td></td> <td></td> <td></td> <td></td> <td></td> <td></td>		Kit No.									
Kit, O-ring FKM CR-H, CRN-H10/15/20/32 GB-G60 <td>Kit No.</td> <td></td> <td></td> <td></td> <td></td> <td></td> <td></td> <td></td> <td></td>		Kit No.									
Kit, O-ring FKM CR-H, CRN-H10/15/20/32 GB-G60 <td>Kit No.</td> <td></td> <td></td> <td></td> <td></td> <td></td> <td></td> <td></td> <td></td>		Kit No.									
Pos. No.	Description	Material No.	Included in each Kit								
72a	O-ring, 2-268 EPDM ϕ 215.5 x 3.5mm	95922038	1				1				
	O-ring, 2-268 Viton ϕ 215.5 x 3.5mm	95922039		1				1			
	O-ring, 2-268 Fluoraz ϕ 215.5 x 3.5mm	95922040			1				1		
	O-ring, 2-268 FFKM ϕ 215.5 x 3.5mm	95131208				1				1	
39b	O-ring, 2-230 EPDM ϕ 63.1 x 3.5mm	95922032	1								
	O-ring, 2-230 Viton ϕ 63.1 x 3.5mm	95922033		1							
	O-ring, 2-230 Fluoraz ϕ 63.1 x 3.5mm	95922034			1						
	O-ring, 2-230 FFKM ϕ 63.1 x 3.5mm	95131189				1					
	O-ring, Parker 2-238 EPDM ϕ 88.5 x 3.5mm	95922035					1				
	O-ring, 2-238 Viton ϕ 88.5 x 3.5mm	95922036						1			
	O-ring, 2-238 Fluoraz ϕ 88.5 x 3.5mm	95952037							1		
	O-ring, 2-238 FFKM ϕ 88.5 x 3.5mm	95131207								1	

NEMA COUPLING KIT

ϕ 15.9/ ϕ 16		Kit No.	96511353	96753660	96753661	96511356
ϕ 28.5/ ϕ 16 (Option-High) <td>Kit No.</td> <td></td> <td></td> <td></td> <td></td>		Kit No.				
ϕ 34.9/ ϕ 16 (Option-High) <td>Kit No.</td> <td></td> <td></td> <td></td> <td></td>		Kit No.				
ϕ 41.3/ ϕ 16 <td>Kit No.</td> <td></td> <td></td> <td></td> <td></td>		Kit No.				
Pos. No.	Description	Material No.	Qty. Included in each Kit			
9	Allen Screw, M6 x 20mm, Delta Seal	00ID7899	4			
	Allen Screw, M10 x 25mm, Delta Seal	00ID7901		4	4	4
	Shaft Pin, ϕ 5 x 26mm, Stainless	310192	1	1	1	1
10a	Coupling Half set, 56C, 1/3 - 2HP, ϕ 15.8 / ϕ 16	96516777	1			
	Cplg. Half set, 182/184TC, 3-5HP, High, ϕ 28.5/ ϕ 16	96516009		1		
	Cplg. Half set, 213TC, 7.5-10HP, High, ϕ 34.9/ ϕ 16	96516770			1	
	Cplg. Half set, 254TC-284/286TSC, 1.5-25HP, ϕ 41.2/ ϕ 16	96516771				1
N/A	Adjusting Fork	96483950	1			1

Spare Part Kits CRN10-H

SPARE PART KITS (Continued)

COUPLING GUARD KIT					
NEMA 56C, 1/3-2HP				Kit No. 96509612	
NEMA 182-215TC (High) & 254TC-286TSC, 3-25HP				Kit No. 96509614	
Pos. No.	Description	Material No.	Qty. Included in each Kit		
7	Coupling Guard, W=127mm x H=90.5mm	96491002	2		
	Coupling Guard, W=157mm x H=171mm	96490656	2		
7a	Screw comb.slot torx/straight slot 4 x 8mm	96488481	4		

Air Vent Kit - Horizontal Units			
CR-H, CRN-H15 to 20		Kit No. 91136720	
Pos. No.	Description	Material No.	Qty. Included in each Kit
117	Air Vent Pipe, short for 118, G1/2, 60x43	96525189	1
117a	Counter Nut for Pipe 117, G1/2	96506709	2
118	Air vent type 1511-AV - 5/6430	96427483	1

ACCESSORIES

ANSI COMPANION FLANGES FOR MEDIUM CR-H, CRN-H					
Kit No. 97698645		1.5" x 1" 316SS for GA 150#		1"	
Pos. No.	Description	Material No.	Qty.	Material No.	Qty.
N/A	Bolts	97743748	4	97743748	4
N/A	Flanges	96983498	1	96983497	1
N/A	Gasket	97694409	1	97692916	1
Kit No. 97698646		1.5" x 1" 316SS for GA 300#		1"	
N/A	Bolts	91143035	8	91143029	4
N/A	Flanges	96983496	1	96983495	1
N/A	Gasket	97694408	1	97694407	1
Kit No. 97698647		2" x 1" 316SS for G05 150#		1"	
N/A	Bolts	91143029	4	97743748	4
N/A	Flanges	96983499	1	96983497	1
N/A	Gasket	97692909	1	97692916	1
Kit No. 97698648		2" x 1" 316SS for G05 300#		1"	
N/A	Bolts	97743741	8	91143029	4
N/A	Flanges	00ID7240	1	96983495	1
N/A	Gasket	00ID2747	1	97694407	1
Kit No. 97698649		3" x 1.5" 316SS for GB, G50 and G20 150#		1.5"	
N/A	Nuts	91143011	4	none	0
N/A	Bolts	91143031	4	97743748	4
N/A	Flanges	91121944	1	96983498	1
N/A	Gasket	560185	1	97694409	1
Kit No. 97698650		3" x 1.5" 316SS for GB, G50 and G20 300#		1.5"	
N/A	Bolts	91143038	8	91143035	4
N/A	Flanges	91121945	1	96983496	1
N/A	Gasket	91122339	1	97694408	1
Kit No. 97698651		3" x 2" 316SS for GC, G10, G60 and G30 150#		2"	
N/A	Nuts	91143011	4	none	0
N/A	Bolts	91143031	4	91143029	4
N/A	Flanges	91121944	1	96983499	1
N/A	Gasket	560185	1	97692909	1
Kit No. 97698652		3" x 2" 316SS for GC, G10, G60 and G30 300#		2"	
N/A	Bolts	91143038	8	97743741	8
N/A	Flanges	91121945	1	00ID7240	1
N/A	Gasket	91122339	1	00ID2747	1
Kit No. 97743809		2" x 2" 316SS for G22 150#		2"	
N/A	Bolts	91143029	4	91143029	4
N/A	Flanges	96983499	1	96983499	1
N/A	Gasket	97692909	1	97692909	1
Kit No. 97743810		2" x 2" 316SS for G22 300#		2"	
N/A	Bolts	97743741	8	97743741	8
N/A	Flanges	00ID7240	1	00ID7240	1
N/A	Gasket	00ID2747	1	00ID2747	1

ACCESSORIES (Continued)

Baseplate Kit		Kit No.		97534517	
139	56C for GA/B/C	Kit No.	97534517		
XLBP1		Kit No.		97534518	97534573
		Kit No.		97534574	
Pos. No.	Description	Material No.	Qty. Included in each Kit		
90	Baseplate Cpl. 139, L=991* x W=305* x H=106.4768*	96956336	1	1	
	Baseplate Cpl. XLBP1, L=1500* x W=305* x H=106.4768*	96956376			1
N/A	Slider & fastners for 56C (consists of slider & hardware)	96983855	1	1	
N/A	Slider & fastner for 182TC (consists of slider & hardware)	96983858		1	1
N/A	Hardware Kit -96983855/68/78 (cont. pos.56f, g, 90a,d& f)**	97501470	1	1	
N/A	Hardware Kit -96983858 (cont. pos.56f & g, 90a, d & f)**	97501481		1	1
56f	Bolt, Hex Head 1/2 -13 UNC x 1" SAE 5, Zinc plated	N/A	2	2	2
56g	Washer, 1/2" SAE, Zinc plated	N/A	2	2	2
90a	Bolt, Hex Head 5/16 -18 UNC x .75" SAE 5, Zinc plated	N/A	4	4	
	Bolt, Hex Head 3/8 -16 UNC x .5" SAE 5, Zinc plated	N/A		4	4
90b	Slider, GA/B/C 56C/139BP, L=204* x H=45.5* x W=25.4*	96956339	2	2	
	Slider, GA/B/C 182TC/139 BP, L=230* x H=23* x W=25.4*	96956338		2	2
90d	Bolt, Hex Head 1/4 -20 UNC x 1" SAE 5, Zinc plated	N/A	4	4	
	Bolt, Hex Head 1/4 -20 UNC x 1.75" SAE 5, Zinc plated	N/A		4	4
90f	Washer, 5/16" SAE, Zinc plated	N/A	4	4	
	Washer, 3/8" SAE, Zinc plated	N/A		4	4

* Values in mm, Length (L) is +/- 2mm, Height (H) is +/- 1mm, Width (W). ** Hardware kits 97501470 and 81 are also available for sale.

Baseplate Kit		Kit No.		97534520	
148	213TC for GA/B/C	Kit No.	97534520		
XLBP2		Kit No.		97534531	97573875
		Kit No.		97534579	
Pos. No.	Description	Material No.	Qty. Included in each Kit		
90	Baseplate Cpl. 148, L=1219* x W=381* x H=107.9*	96956346	1	1	
	Baseplate Cpl. XLBP2, L=1777.8* x W=381* x H=107.9*	96956377			1
N/A	Slider & fastners for 213TC (consists of slider & hardware)	96983859	1	1	
N/A	Slider & fastner 254TC (cont. of 56k, slider & hardware)	96983862		1	1
N/A	Hardware Kit -96983859 (consists of pos.56f, g, 90a,d& f)**	97501482	1	1	
N/A	Hardware Kit -96983862 (cont. pos.56f, g & m, 90a, d & f)**	97501483		1	1
56f	Bolt, Hex Head 1/2 -13 UNC x 1.25" SAE 5, Zinc plated	N/A	2	2	
	Bolt, Hex Head 1/2 -13 UNC x 2.25" SAE 5, Zinc plated	N/A		2	2
56g	Washer, 1/2" SAE, Zinc plated	N/A	2	2	2
56k	Volute Spacer, 148 BP 254T, L=200* x H=25.4* x W=78.2	96956349	1	1	
56m	Slotted Spring Pin ø3/16" x 1" Zinc Plated	N/A	2	2	
90a	Bolt, Hex Head 3/8 -16 UNC x 5/8" SAE 5, Zinc plated	N/A	4	4	
	Bolt, Hex Head 1/2 -13 UNC x 1.5" SAE 5, Zinc plated	N/A		4	4
90b	Slider, GA/B/C 213TC/148BP, L=252* x H=20* x W=25.4*	96956347	2	2	
	Slider, GA/B/C 254TC/148BP, L=299* x H=20.3* x W=38.1*	96956348		2	2
90d	Bolt, Hex Head 1/4 -20 UNC x 1.75" SAE 5, Zinc plated	N/A	4	4	
	Bolt, Hex Head 1/4 -20 UNC x 2.5" SAE 5, Zinc plated	N/A		4	4
90f	Washer, 3/8" SAE, Zinc plated	N/A	4	4	
	Washer, 1/2" SAE, Zinc plated	N/A		4	4

* Values in mm, Length (L) is +/- 2mm, Height (H) is +/- 1mm, Width (W). ** Hardware kits 97501482 and 83 are also available for sale.

Baseplate Kit		Kit No.		97534535	
245	56C for G05/10/50/60/70/22/33/44	Kit No.	97534535		
XLBP1		Kit No.		97534536	97534575
		Kit No.		97534576	
Pos. No.	Description	Material No.	Qty. Included in each Kit		
90	Baseplate Cpl. 245, L=1143* x W=305* x H=106.4768*	96956341	1	1	
	Baseplate Cpl. XLBP1, L=1500* x W=305* x H=106.4768*	96956376			1
N/A	Slider & fastners for 56C (consists of slider & hardware)	96983868	1	1	
N/A	Slider & fastner for 182TC (consists of slider & hardware)	96983869		1	1
N/A	Hardware Kit -96983855/68/78 (cont. pos.56f, g, 90a,d& f)**	97501470	1	1	
N/A	Hardware Kit -96983869/79 (cont. pos.56f & g, 90a, d & f)**	97501488		1	1
56f	Bolt, Hex Head 1/2 -13 UNC x 1" SAE 5, Zinc plated	N/A	2	2	2
56g	Washer, 1/2" SAE, Zinc plated	N/A	2	2	2
90a	Bolt, Hex Head 5/16 -18 UNC x .75" SAE 5, Zinc plated	N/A	4	4	4
90b	Slider, G05/22 - 56C/245BP, L=204* x H=125.5* x W=25.4*	96956343	2	2	
	Slider, G05/22 - 182T/245 BP, L=230* x H=100* x W=25.4*	96956342		2	2
90d	Bolt, Hex Head 1/4 -20 UNC x 1" SAE 5, Zinc plated	N/A	4	4	
	Bolt, Hex Head 1/4 -20 UNC x 2.5" SAE 5, Zinc plated	N/A		4	4
90f	Washer, 5/16" SAE, Zinc plated	N/A	4	4	

* Values in mm, Length (L) is +/- 2mm, Height (H) is +/- 1mm, Width (W). ** Hardware kits 97501470 and 88 are also available for sale.

Spare Part Kits CRN10-H

ACCESSORIES (Continued)

Baseplate Kit		Kit No.	
252	213TC for G05/10/50/60/70/22/33/44	97534539	
XLBP2	213TC for G05/10/50/60/70/22/33/44	97573873	
Pos. No.	Description	Material No.	Qty. Included in each Kit
90	Baseplate Cpl. 252, L=1321* x W=381* x H=107.9*	96956356	1
	Baseplate Cpl. XLBP2, L=1777.8* x W=381* x H=107.9*	96956377	1
N/A	Slider & fastners for 213TC (consists of slider & hardware)	96983870	1
N/A	Hardware Kit -96983870/80 (cont. of pos. 56f, g, 90a, d & f)**	97501489	1
56f	Bolt, Hex Head 1/2 -13 UNC x 1.25" SAE 5, Zinc plated	N/A	2
56g	Washer, 1/2" SAE, Zinc plated	N/A	2
90a	Bolt, Hex Head 3/8 -16 UNC x 1" SAE 5, Zinc plated	N/A	4
90b	Slider, G05/22, 213TC/252BP, L=252* x H=96.5* x W=25.4*	96956357	2
90d	Bolt, Hex Head 1/4 -20 UNC x 1.75" SAE 5, Zinc plated	N/A	4
90f	Washer, 3/8" SAE, Zinc plated	N/A	4

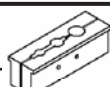
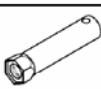

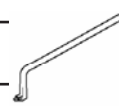
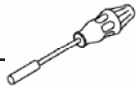


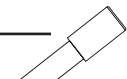
* Values in mm, Length (L) is +/- 2mm, Height (H) is +/- 1mm, Width (W). ** Hardware kit 97501489 is also available for sale.

Baseplate Kit		Kit No.	
258	254TC for G05/10/50/60/70/22/33/44	97534543	
XLBP3	254TC for G05/10/50/60/70/22/33/44	97573876	
Pos. No.	Description	Material No.	Qty. Included in each Kit
90	Baseplate Cpl. 258, L=1473.2* x W=457.2* x H=119.1*	96956360	1
	Baseplate Cpl. XLBP3, L=2406.4* x W=457.2* x H=119.1*	96956379	1
N/A	Slider & fastners for 254TC (consists of slider & hardware)	96983871	1
N/A	Hardware Kit -96983871 (cont. of pos. 56f & g, 90a, d & f)**	97501493	1
56f	Bolt, Hex Head 1/2 -13 UNC x 1" SAE 5, Zinc plated	N/A	2
56g	Washer, 1/2" SAE, Zinc plated	N/A	2
90a	Bolt, Hex Head 1/2 -13 UNC x 1.25" SAE 5, Zinc plated	N/A	4
90b	Slider, G05/22, 254TC/258BP, L=354* x H=67* x W=25.4*	96956361	2
90d	Bolt, Hex Head 1/4 -20 UNC x 1.75" SAE 5, Zinc plated	N/A	4
90f	Washer, 1/2" SAE, Zinc plated	N/A	4

* Values in mm, Length (L) is +/- 2mm, Height (H) is +/- 1mm, Width (W). ** Hardware kit 97501493 is also available for sale.

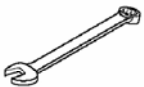






SPECIAL TOOLS

Tools not generally available from normal sources.

Mat. No.	Description and Use	
005V0040	Shaft Holder for Dismantling/Assembly Used to hold and protect the shaft during dismantling and assembly.	
005V2107	Tubular Box Spanner for Shaft Seal 41.0 mm Used to install and remove the shaft seal. Fits a 1/2" drive ratchet.	
005V2101	Ring Insert Tool for Shaft Seal + Square 41 mm x 1/2" drive	
005V0239	Puller for Neck Ring Used to remove the Neck Ring from Chamber.	
005V2011	Bit Holder Used with Bits Kit, 1/4"	
005V2010	Bits Kit NV 5 mm for M6, 1/4" NV 6 mm for M8, 1/4" NV 8 mm for M10, 1/4"	
005V2012	Hexagon Socket Bit Used for Shaft Seal NV 2.5 mm for M5, 1/4"	
005V2127	Bearing Removal Punch	

STANDARD TOOLS

In addition to being available from Grundfos, comparable tools can be purchased through normal sources.

Mat. No.	Description and Use	
005V0083 005V0055 005V0054 005V0122	Wrenches Used to tighten various nuts. NV 10 mm for M6 NV 13 mm for M8 NV 19 mm for M12 NV 24 mm for M16	
005V0292 005V0269 005V0400	Torque Wrench Used to torque various screws. 4-20 Nm, 9 x 12 20-100 Nm, 9 x 12 40-200 Nm, 14x18	
005V0438	Torque Screwdriver Used to tighten various nuts. 1-6 Nm, 1/4"	
005V0295 005V0401	Ratchet Spanner for all Adapters 9 mm x 12 mm, 1/2" 14 mm x 18 mm, 1/2"	
005V0296 005V0297 005V0298	Socket Spanner with Inside Hex NV 5 mm for M6, 1/2" x 1/2" NV 6 mm for M8, 1/2" x 1/2" NV 8 mm for M10, 1/2" x 1/2"	
005V0310 005V0294 005V0271 005V0524	Ring Spanner NV 10 mm, 9 x 12, for M6 NV 13 mm, 9 x 12, for M8 NV 19 mm, 9 x 12, for M12 NV 24 mm, 14 x 18, for M16	
005V2013 005V0267	Socket Spanner NV 13 mm for M8, 1/2" drv. NV 19 mm for M12, 1/2" drv.	

BE > THINK > INNOVATE >

Being responsible is our foundation
Thinking ahead makes it possible
Innovation is the essence



L-CR-SM-051 11/11 US

©2011 Grundfos Pumps Corp.

Subject to alterations.

GRUNDFOS Pumps Corporation
17100 W. 118th Terrace
Olathe, Kansas 66062
Phone: 913.227.3400
Fax: 913.227.3500
www.grundfos.com

GRUNDFOS Canada, Inc.
2941 Brighton Road
Oakville, Ontario L6H 6C9 Canada
Phone: 905.829.9533
Fax: 905.829.9512

Bombas GRUNDFOS de Mexico S.A. de C.V.
Boulevard TLC No. 15
Parque Industrial Stiva Aeropuerto
Apodaca, N.L. Mexico 66600
Phone: 52.81.8144.4000
Fax: 52.81.8144.4010

GRUNDFOS 