

15. CR Back to back

50/60 Hz

CR, CRI, CRN 1, 3, 5

O-ring

Pos.	Description	FFKM	FXM
	Kit No	96533328	96463944
37a	O-ring	2	2
38	O-ring	1	1
100	O-ring	2	2
109a	O-ring	1	1

Shaft seal (lower)

These kits include the lower shaft seal (pos. 105b). The upper shaft seal (pos. 105) must be ordered separately.

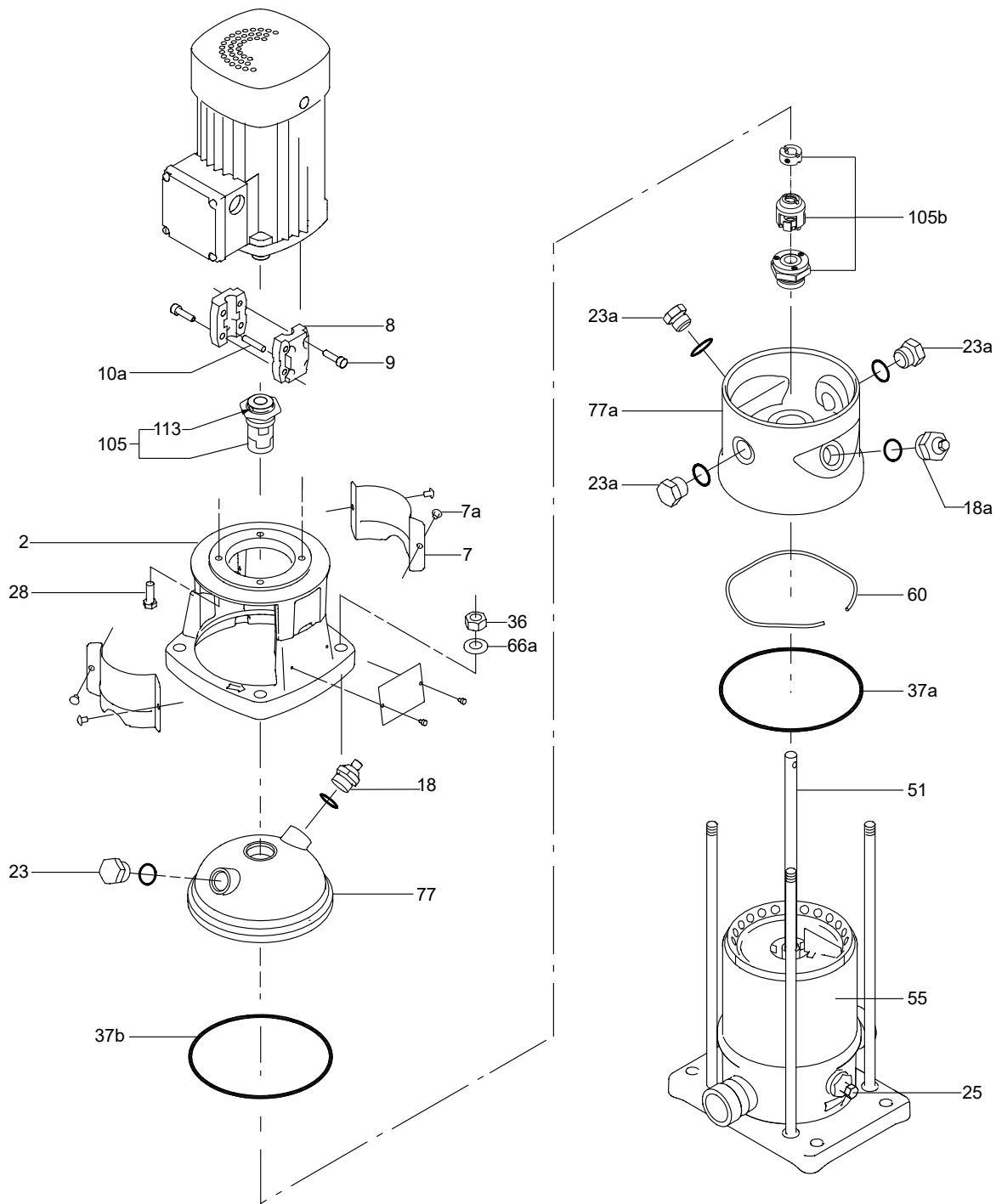
Pos.	Description	Kit No	96533360	96533361
37a	O-ring	EPDM	2	-
		FKM	-	2
37b	O-ring	EPDM	1	-
		FKM	-	1
38	O-ring	EPDM	1	-
		FKM	-	1
100	O-ring	EPDM	2	-
		FKM	-	2
100a	O-ring	EPDM	4	-
		FKM	-	4
105b	Shaft seal	AQQE	1	-
		AQQV	-	1
109a	O-ring	EPDM	1	-
		FKM	-	1
112a	Driver		1	1
113	Set screw		2	2
146	Hexagon socket head screw		3	3

Shaft seal (upper)

These kits include the upper shaft seal (pos. 105). The lower shaft seal (pos. 105b) must be ordered separately.

Type	Kit No
HUBK	96533322
HUBF	96533323
HUUK	96533324
HUUF	96533325
HQKQ	96533326
HQQF	96533327
HQBK	96491375
OQQV	96989183

CR, CRI, CRN 1, 3, 5, back to back



TM030913

CR, CRI, CRN 10, 15, 20**O-ring**

Pos.	Description	FFKM	FXM
	Kit No	96533374	96534871
37a	O-ring	2	2
38	O-ring	1	1
38a	O-ring	1	1
100	O-ring	2	2

O-ring, EPDM

Pos.	Description	Kit No	96525433
37a	O-ring	EPDM	2
37b	O-ring	EPDM	1
38	O-ring	EPDM	1
38a	O-ring	EPDM	1
	Oval flange CR 10		2
39	Gasket	KLINGERSil C-4430	2
	FGJ flange CR 10		2
	FGJ flange CR 15, 20		2
60	Rubber spring	EPDM	4
100	O-ring	EPDM	2
100a	O-ring	EPDM	2
100b	O-ring	EPDM	2

O-ring, FKM

Pos.	Description	Kit No	96525434
37a	O-ring	FKM	2
37b	O-ring	FKM	1
38	O-ring	FKM	1
38a	O-ring	FKM	1
	Oval flange CR 10		2
39	Gasket	KLINGERSil C-4430	2
	FGJ flange CR 10		2
	FGJ flange CR 15, 20		2
60	Rubber spring	FKM	4
100	O-ring	FKM	2
100a	O-ring	FXM	2
100b	O-ring	FKM	2

O-ring, FFKM/EPDM

Pos.	Description	Kit No	96525436
37a	O-ring	FFKM	2
37b	O-ring	EPDM	1
38	O-ring	FFKM	1
38a	O-ring	FFKM	1
	Oval flange CR 10		2
39	Gasket	KLINGERSil C-4430	2
	FGJ flange CR 10		2
	FGJ flange CR 15, 20		2
60	Rubber spring	PTFE	4
100	O-ring	EPDM	1
100a	O-ring	FFKM	2
100b	O-ring	EPDM	2

O-ring, FFKM/FKM

Pos.	Description	Kit No	96525436
37a	O-ring	FFKM	2
37b	O-ring	FKM	1
38	O-ring	FFKM	1
38a	O-ring	FFKM	1
	Oval flange CR 10		2
39	Gasket	KLINGERSil C-4430	2
	FGJ flange CR 10		2
	FGJ flange CR 15, 20		2
60	Rubber spring	PTFE	4
100	O-ring	FKM	1
100a	O-ring	FFKM	2
100b	O-ring	FKM	2

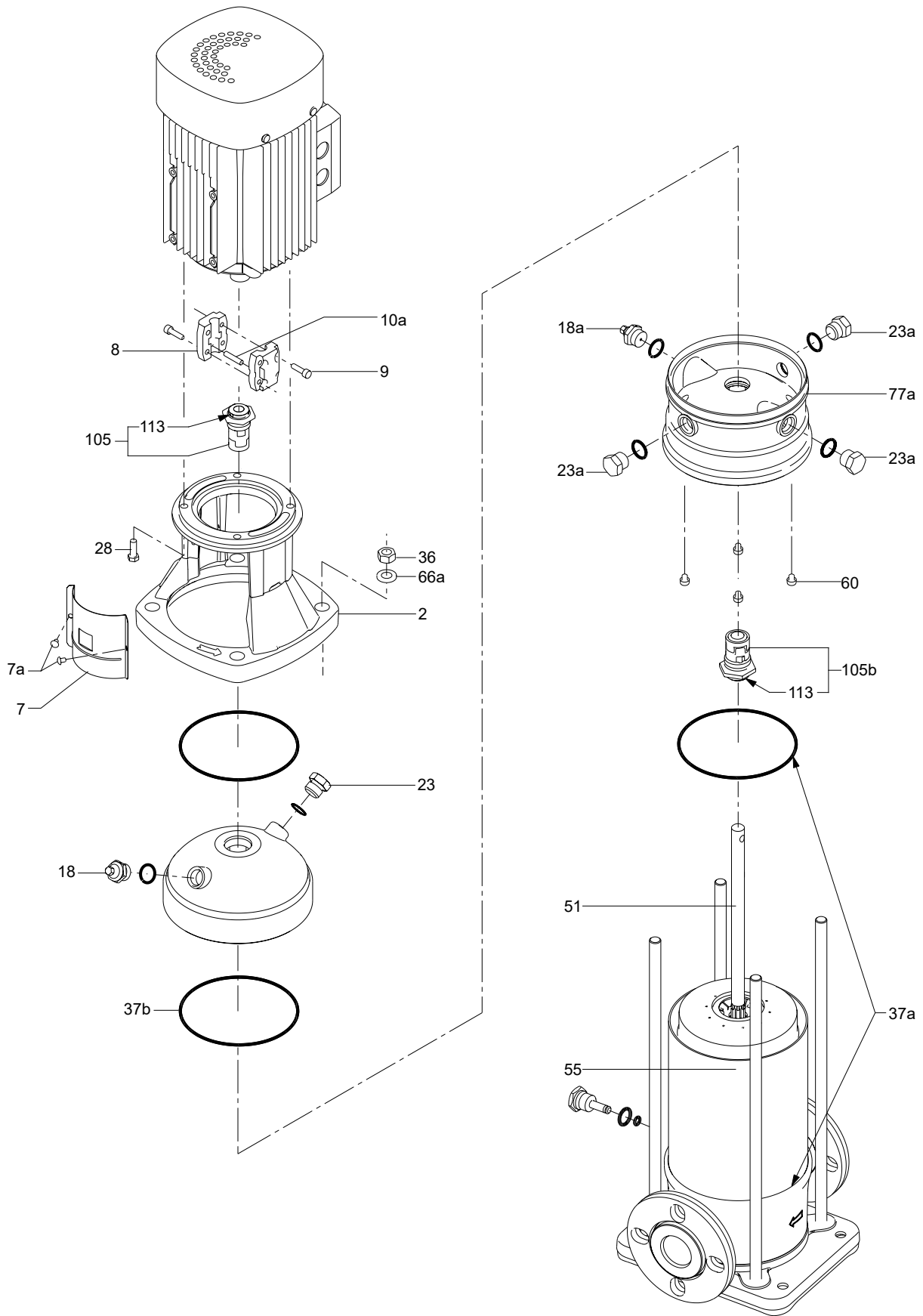
Shaft seal

Type	Kit No
HQQE	96511844
HQQV	96511845
HQQK	96511846
HQQF	96511847
HUBK	96511838
HUUV	96511841
HUUK	96511842
HUUF	96511843

Content

Pos.	Description	Quantity
105	Shaft seal	1
-	Adjusting fork	1

CR, CRI, CRN 10, 15, 20, back to back



TM027821

CR, CRI, CRN 32, 45, 64, 90**Connecting pipe**

Pos.	Description	Rubber	EPDM/FKM	FXM
		Kit No	96578685	96578686
		FXM	-	2
109a, 109b	O-ring	EPDM	2	-
		FKM	2	-
149	Connecting pipe		1	1

Shaft seal, CR, CRN 32

Pos	Description	Rubber	96578679	96578680
			AUUE	AUUV
37b	O-ring	EPDM	2	-
		FKM	-	2
105b	Shaft seal		1	1
106	Nut		1	1
107	Washer		1	1
-	Grinding device		1	1

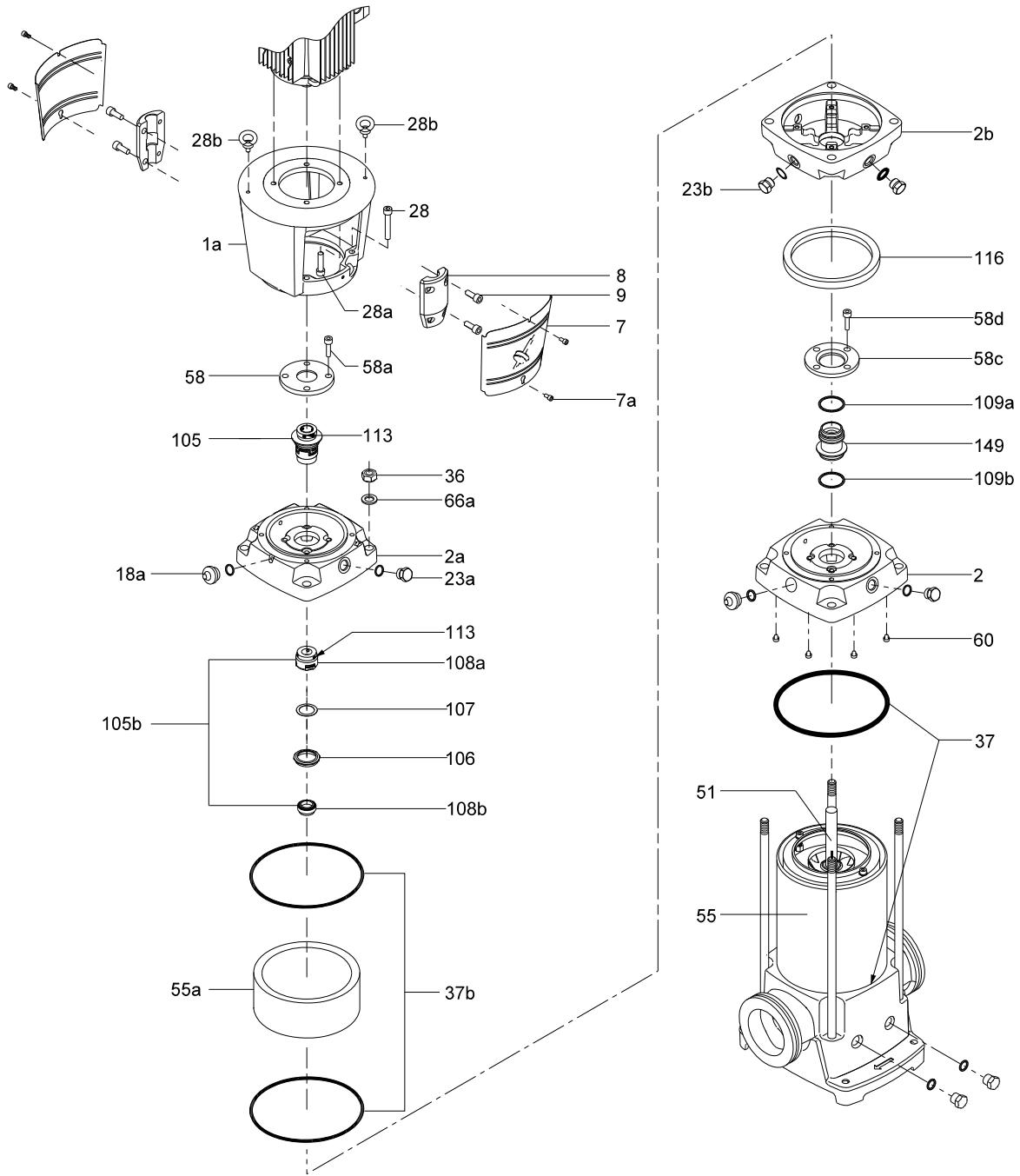
Shaft seal, CR, CRN 45, 64

Pos	Description	Rubber	96578681	96578682
			AUUE	AUUV
37b	O-ring	EPDM	2	-
		FKM	-	2
105b	Shaft seal		1	1
106	Nut		1	1
107	Washer		1	1
-	Grinding device		1	1

Shaft seal, CR, CRN 90

Pos	Description	Rubber	96578683	96578684
			AUUE	AUUV
37b	O-ring	EPDM	2	-
		FKM	-	2
105b	Shaft seal		1	1
106	Nut		1	1
107	Washer		1	1
-	Grinding device		1	1

CR, CRI, CRN 32, 45, 64, 90, back to back



CR Back to back

TM033097

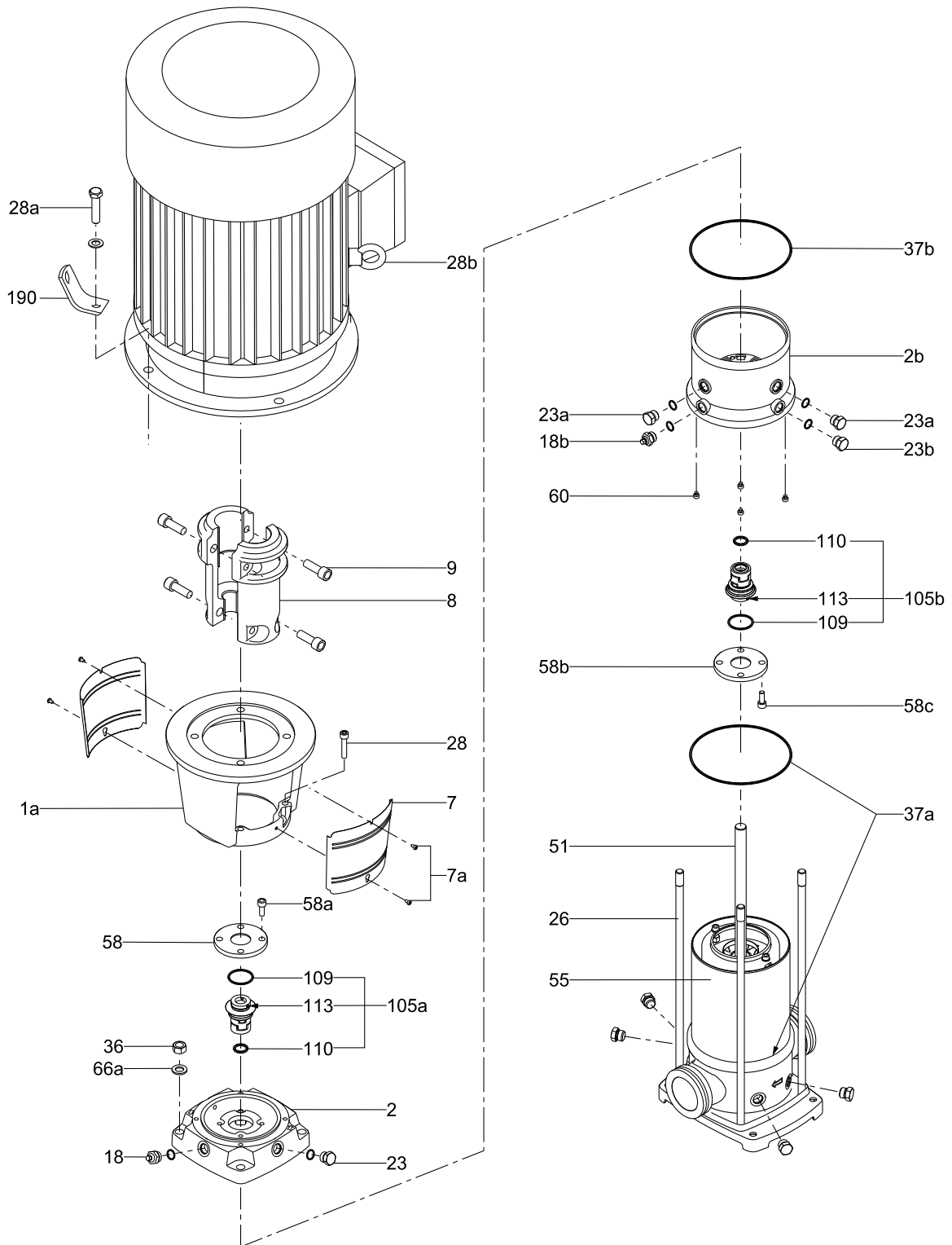
CR, CRI, CRN 32, 45, 64, 90, model B**O-ring, CR, CRN 32**

Pos	Kit No	98593542	98593544	98593547	98593549	98593562	98593563	98593564	98593565
Description	Rubber	EPDM	FKM	FXM	FFKM	FXM/EPDM	FXM/FKM	FFKM/EPDM	FFKM/FKM
O-ring	EPDM	2				2		2	
	FKM		2				2		2
	FXM			2					
	FFKM				2				
O-ring	EPDM	1				1		1	
	FKM		1				1		1
	FXM			1	1				
O-ring	EPDM	2				2		2	
	FKM		2				2		2
	FXM			2					
	FFKM				2				
O-ring	EPDM	2							
	FKM		2						
	FXM			2		2	2		
	FFKM				2			2	2
O-ring	EPDM	2							
	FKM		2				2		
	FXM			2	2	2		2	2
	FFKM					2			2
O-ring	EPDM	4							
	FKM		4						
	FXM			4		4	4		
	FFKM				4			4	4
Spring	PTFE	4	4	4	4	4	4	4	4
Adjusting fork		2	2	2	2	2	2	2	2

O-ring, CR, CRN 45, 64

Pos	Kit No	98593566	98593568	98593592	98593593	98593594	98593598	98593603	98593608
Description	Rubber	EPDM	FKM	FXM	FFKM	FXM/EPDM	FXM/FKM	FFKM/EPDM	FFKM/FKM
O-ring	EPDM	2				2		2	
	FKM		2				2		2
	FXM			2					
	FFKM				2				
O-ring	EPDM	1				1		1	
	FKM		1				1		1
	FXM			1	1				
O-ring	EPDM	2				2		2	
	FKM		2				2		2
	FXM			2					
	FFKM				2				
O-ring	EPDM	2							
	FKM		2			2			
	FXM			2			2		
	FFKM				2			2	2
O-ring	EPDM	2							
	FKM		2						
	FXM			2	2	2	2	2	2
	FFKM								
O-ring	EPDM	4							
	FKM		4						
	FXM			4		4	4		
	FFKM				4			4	4
Spring	PTFE	4	4	4	4	4	4	4	4
Adjusting fork		2	2	2	2	1	1	1	1

CR, CRI, CRN 32, 45, 64, 90, model B



TM059666

O-ring, CR, CRN 90

Pos	Kit No		98593611	98593612	98593615	98593616	98593618	98593620	98593622	98593624
Description	Rubber	EPDM	FKM	FXM	FFKM	FXM/EPDM	FXM/FKM	FFKM/EPDM	FFKM/FKM	
O-ring	EPDM	2					2		2	
	FKM		2					2		2
	FXM			2						
	FFKM				2					
O-ring	EPDM	1					1		1	
	FKM		1					1		1
	FXM			1	1					
O-ring	EPDM	2					2		2	
	FKM		2					2		2
	FXM			2						
	FFKM				2					
O-ring	EPDM	2								
	FKM		2							
	FXM			2		2	2			
	FFKM				2			2	2	
O-ring	EPDM	2								
	FKM		2							
	FXM			2	2	2	2	2	2	2
	FFKM									
O-ring	EPDM	4								
	FKM		4							
	FXM			4		4	4			
	FFKM				4			4	4	
Spring	PTFE	4	4	4	4	4	4	4	4	
Adjusting fork		2	2	2	2	1	1	1	1	

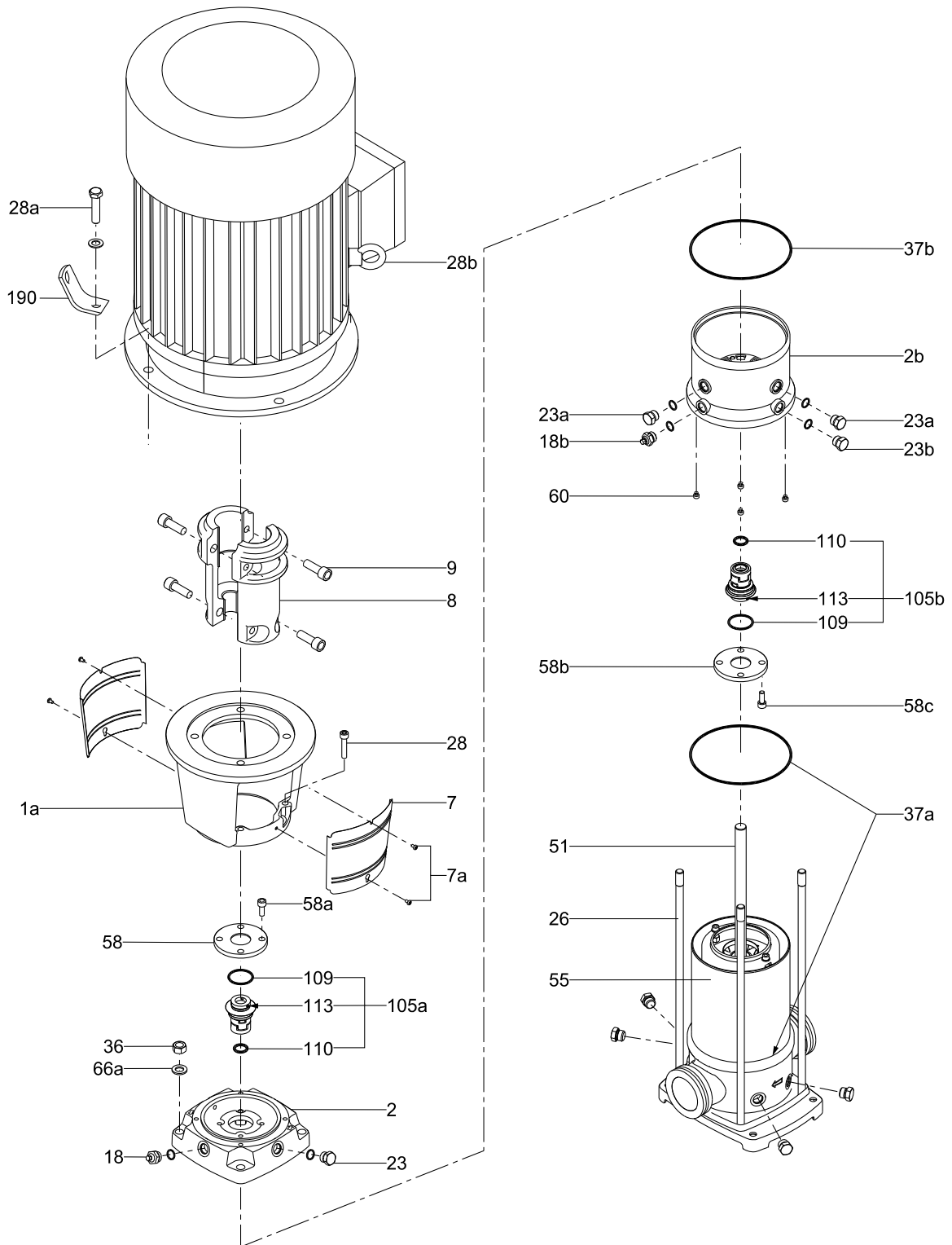
Plug

Pos	Description/ Kit No	98593644
	Plug	2
	Vent screw	1
	Plug	1
	O-ring	4
	O-ring	4
	O-ring	4

Cover

Pos	Description/ Kit No	98593648
	Cover N	1
	Cap screw	4

CR, CRI, CRN 32, 45, 64, 90, model B



TM059666