

Configurable Dosing Tank Stations

GRUNDFOS DTS

Dosing is precision work, and one of the main tasks in chemical and process engineering as well as water treatment. SMART Digital Dosing pumps deliver an optimal performance in these business fields.

The selection of a dosing pump and the suitable accessories require systematic adjustment to all process parameters.

Easy-to-install Grundfos Dosing Tank Stations are the first choice for economic efficiency when adding liquids as coagulants, disinfectants or neutralizing agents in a precise and controlled way.

Grundfos Dosing Tank Stations are intended for storing and dosing liquid chemicals. Many different configurations can be selected and applied to fulfil various dosing tasks. Due to the use of high-quality materials, Dosing Tank Stations can be used universally for diverse dosing liquids. During configuration, the materials can be selected to suit the liquid and application.

KEY FEATURES AND BENEFITS

- Chemically resistant tank made of UV-stabilized, semitransparent or black polyethylene, in six sizes from 15 to 264 gallons, with embossed liter scale and PE screw cover
- Rigid suction lance or foot valve made of PE, with two-step level switch for dry-running protection, suction line to the dosing pump
- PVC or PP injection unit with ½" NPT process connection
- 33 foot PE or PVC discharge line
- Multi-function valve
- Preparation and installation material for assembly of a dosing pump
- Optional PE collecting tray
- Optional handheld mixer or electric mixer with level switch for dry-running protection
- Optional drain valve
- Optional tank inlet valve or dissolving hopper

Dosing pumps are not included in a standard delivery. They can be selected according to application demands from the DDA or DDE ranges and must be ordered separately.



APPLICATIONS

- Dosing biocides and inhibitors in cooling water
- Dosing lyes and acids for pH regulation
- Dosing coagulants such as ferric (II/III) chloride for waste water treatment
- Dosing hypochlorite
- Dosing cleaning agents and disinfectants (CIP, cleaning machines)

TYPE KEY DTS

Example	DTS	100	T	1	0	3	4	RE	E	4	A	0	H
Product type	DTS	Dosing Tank Station											
Tank size	15	15 gallons											
	26	26 gallons											
	52	52 gallons											
	79	79 gallons											
	13	13 gallons											
	264	264 gallons											
Tank color	T	Transparent tank with black lid											
	B	Black tank with black lid											
Catchment tank	0	Without											
	1	Collecting tray											
Screw cover	0	Screw cover without lock											
Handheld mixer / Electric mixer*	0	Without											
	1	Handheld mixer, PE											
	2	Electric mixer, stainless steel shaft											
	3	Electric mixer, PP-coated shaft with sealing flange											
Dosing pump type preparation**	0	Without											
	4	Preparation for SMART Digital DDA, DDC, DDE											

Multi-function valve

- A Without
- G Multi-function valve PV/V
- H Multi-function valve PV/E
- I Multi-function valve PV/T

Filling armature / Dissolving hopper

- 0 Without
- 1 Filling armature PVC/E with ball valve
- 2 Dissolving hopper

Drain valve (not with collecting tray)

- A Without
- B Drain valve PVC/E

Injection unit (NPT 1/2" process connection)

- 0 Without
- 1 Injection unit PVC/V/C
- 2 Injection unit PP/V/C
- 3 Injection unit PVC/E/C
- 4 Injection unit PP/E/C
- 5 Injection unit PVC/T/C

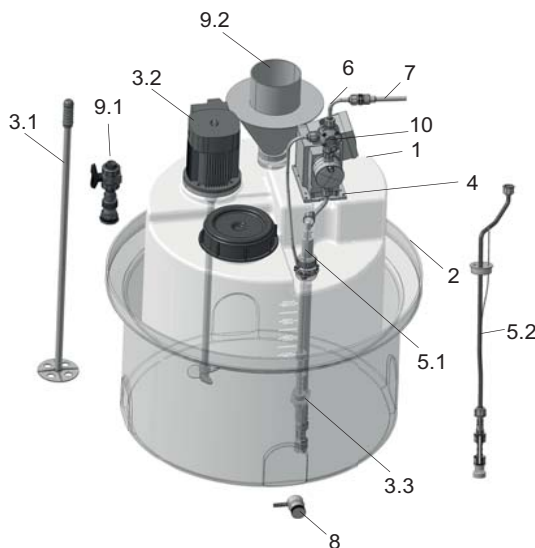
Discharge line

- A Without
- F 33 ft PE-tubing 0.17" x 1/4" (up to 2 gph)
- G 33 ft PE-tubing 1/4" x 3/8" (up to 8 gph)
- H 33 ft PE-tubing 3/8" x 1/2" (up to 15.8 gph)

Suction line / Foot valve

- WO Without
- RV Rigid suction lance PE/V
- RE Rigid suction lance PE/E
- RT Rigid suction lance PE/T
- FV Flexible suction line PE/V
- FE Flexible suction line PE/E
- FT Flexible suction line PE/T

* Electric mixer motors are rated 1x115/230V 60 Hz TEFC, 1800rpm



COMPONENTS

- 1 Tank
- 2 Collecting tray
- 3.1 Handheld mixer
- 3.2 Electric mixer
- 3.3 Level switch for electric mixer
- 4 Installation material
- 5.1 Rigid suction lance
- 5.2 Foot valve with flexible suction line
- 6 Discharge hose
- 7 Injection unit
- 8 Drain valve
- 9.1 Filling armature with ball valve
- 9.2 Dissolving hopper
- 10 Multi-function valve

Visit grundfos.us/pei to learn more about Department of Energy (DOE) pump energy index (PEI) requirements and PEI ratings on specific Grundfos models.