

CRN MAGdrive without motor

Supplement to installation and operating instructions for CRN

US



LIMITED WARRANTY

Products manufactured by GRUNDFOS PUMPS CORPORATION (Grundfos) are warranted to the original user only to be free of defects in material and workmanship for a period of 24 months from date of installation, but not more than 30 months from date of manufacture. Grundfos' liability under this warranty shall be limited to repairing or replacing at Grundfos' option, without charge, F.O.B. Grundfos' factory or authorized service station, any product of Grundfos' manufacture. Grundfos will not be liable for any costs of removal, installation, transportation, or any other charges which may arise in connection with a warranty claim. Products which are sold but not manufactured by Grundfos are subject to the warranty provided by the manufacturer of said products and not by Grundfos' warranty. Grundfos will not be liable for damage or wear to products caused by abnormal operating conditions, accident, abuse, misuse, unauthorized alteration or repair, or if the product was not installed in accordance with Grundfos' printed installation and operating instructions.

To obtain service under this warranty, the defective product must be returned to the distributor or dealer of Grundfos' products from which it was purchased together with proof of purchase and installation date, failure date, and supporting installation data. Unless otherwise provided, the distributor or dealer will contact Grundfos or an authorized service station for instructions. Any defective product to be returned to Grundfos or a service station must be sent freight prepaid; documentation supporting the warranty claim and/or a Return Material Authorization must be included if so instructed.

GRUNDFOS WILL NOT BE LIABLE FOR ANY INCIDENTAL OR CONSEQUENTIAL DAMAGES, LOSSES, OR EXPENSES ARISING FROM INSTALLATION, USE, OR ANY OTHER CAUSES. THERE ARE NO EXPRESS OR IMPLIED WARRANTIES, INCLUDING MERCHANTABILITY OR FITNESS FOR A PARTICULAR PURPOSE, WHICH EXTEND BEYOND THOSE WARRANTIES DESCRIBED OR REFERRED TO ABOVE.

Some jurisdictions do not allow the exclusion or limitation of incidental or consequential damages and some jurisdictions do not allow limit actions on how long implied warranties may last. Therefore, the above limitations or exclusions may not apply to you. This warranty gives you specific legal rights and you may also have other rights which vary from jurisdiction to jurisdiction.

1. Fitting the magnetic drive, motor stool and motor

See also installation and operating instructions for CR, CRI, CRN – Grundfos literature number L-CR-TL-001. Also refer to the CRN MAGdrive installation and operating instructions, L-CRN-TL-01.

These instructions must be followed when removing the motor stool and when fitting the magnetic drive, motor stool and motor.

Caution

If the motor stool is not fitted correctly, the pump bearings may be damaged.

1.1 CRN 1s, 1, 3, 5, 10, 15, 20: .5 to 3 Hp.

Procedure and illustrations

See page 4.

Hardware

See page 5.

The position numbers refer to the illustrations on page 4.

Bolt size and flange thread will vary with the motor size.

1.2 CRN 1s, 1, 3, 5: 5 to 7.5 Hp CRN 10, 15, 20: 5 to 25 Hp CRN 32, 45, 64, 90: 5 to 30 Hp.

Procedure and illustrations

See page 6.

Hardware

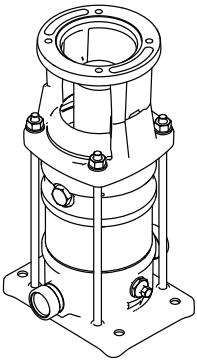
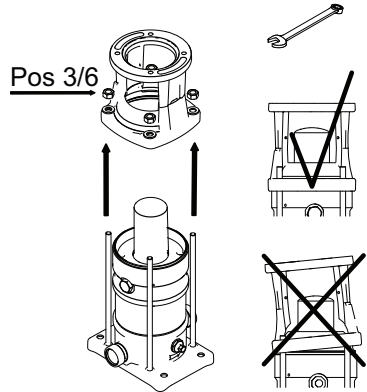
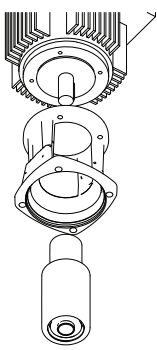
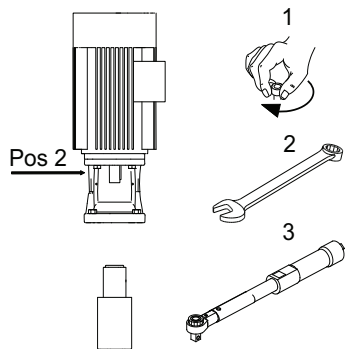
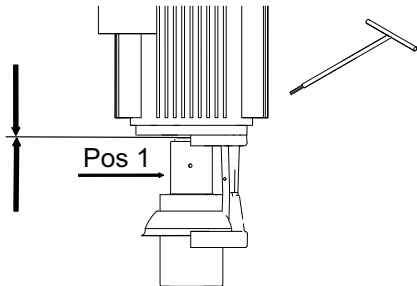
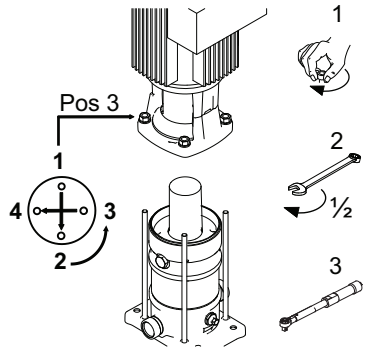
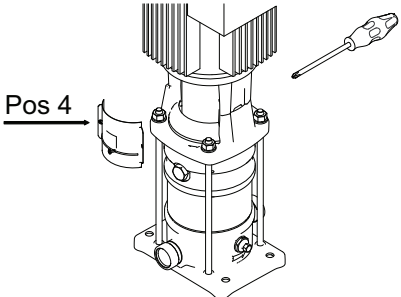
See page 7.

The position numbers refer to the illustrations on page 6.


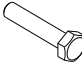
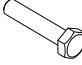



Note

CRN 1s, 1, 3, 5 pumps fitted with 7.5 Hp motors are fitted with an additional spacer flange.

US

Step	Illustration	Step	Illustration
A1	 <p>TM04 2269 2208</p>	A2	 <p>Pos 3/6</p> <p>TM04 2270 2208</p>
A3	 <p>TM04 2273 2208</p>	A4	 <p>Pos 2</p> <p>1</p> <p>2</p> <p>3</p> <p>TM04 2274 2208</p>
A5	 <p>Pos 1</p> <p>TM04 2276 2208</p>	A6	 <p>Pos 3</p> <p>1</p> <p>2</p> <p>3</p> <p>4</p> <p>1/2</p> <p>TM04 2277 2208</p>
A7	 <p>Pos 4</p> <p>TM04 2278 2208</p>		

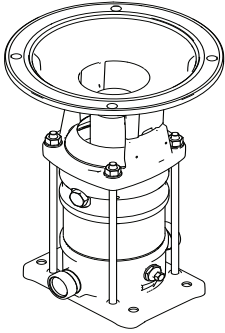
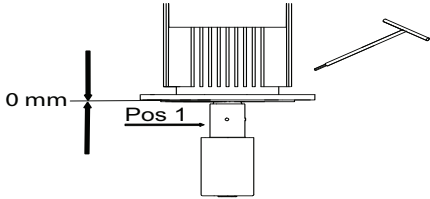
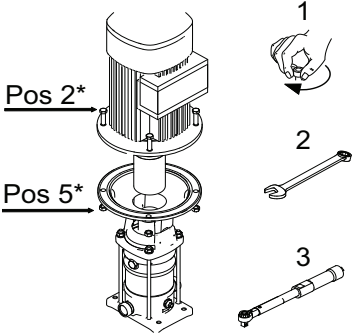
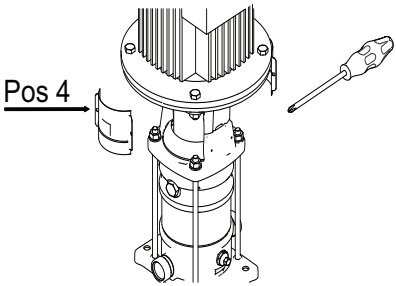
Overview of hardware

Pos.	Quantity and dimension	Fixing parts		Torque
1	2 x M6		TM04 2350 2408	4.4 ft.-lbs.
2*	4 x 3/8"		TM04 2351 2408	17 ft.-lbs.
2*	4 x 1/2"		TM04 2351 2408	30 ft.-lbs.
3	4 x M12		TM04 2353 2408	44 ft.-lbs.
4	4 x M4 x 8		TM04 2352 2408	1.5 ft.-lbs.
6	4		TM04 2354 2408	


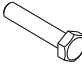
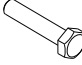



*Bolt size and flange thread will vary with the motor size.

CRN 1s, 1, 3, 5: 5 to 7.5 Hp
 CRN 10, 15, 20: 5 to 25 Hp
 CRN 32, 45, 64, 90: 5 to 30 Hp

US

Step	Illustration	Step	Illustration
<p>B1</p>  <p>TIM04 2279 2208</p>	<p>B2</p>  <p>TIM04 2281 2208</p>		
<p>B3</p>  <p>TIM04 2282 2208</p>	<p>B4</p>  <p>TIM04 2283 2208</p>		

Overview of hardware

Pos.	Quantity and dimension	Fixing parts	Torque
1	2 x M6	 TM04 2350 2408	4.4 ft.-lbs.
2*	4 x 3/8"	 TM04 2351 2408	17 ft.-lbs.
2*	4 x 1/2"	 TM04 2351 2408	30 ft.-lbs.
3	4 x M12	 TM04 2353 2408	44 ft.-lbs.
4	4 x M4 x 8	 TM04 2352 2408	1.5 ft.-lbs.
6	4	 TM04 2354 2408	

* Bolt size and flange thread will vary with the motor size.

L-CRN-TL-03 **US**

New 0609

96834919 0908

U.S.A.
GRUNDFOS Pumps Corporation
17100 West 118th Terrace
Olathe, Kansas 66061
Phone: +1-913-227-3400
Telefax: +1-913-227-3500

www.grundfos.com

Canada
GRUNDFOS Canada Inc.
2941 Brighton Road
Oakville, Ontario
L6H 6C9
Phone: +1-905 829 9533
Telefax: +1-905 829 9512

México
Bombas GRUNDFOS de México S.A. de C.V.
Boulevard TLC No. 15
Parque Industrial Stiva
Aeropuerto
Apodaca, N.L.C.P. 66600
Phone: +52-81-8144 4000
Telefax: +52-81-8144 4010

GRUNDFOS 