

## Installation Guide

# FIVE PENDANT

Thoughtful lighting, responsibly designed in London.

Thank you for making the switch to Tala.  
Discover the full Tala family at [tala.co.uk](http://tala.co.uk).

### BEFORE STARTING

We advise the installation of this light fitting be performed by a qualified electrician. Please read through these instructions before commencing work, and keep them for future reference. Please take extreme care when carrying out these instructions.

### IMPORTANT

This light fitting must be connected to the supply earth. If your lighting circuit does not have an earth, ask a qualified electrician to provide an earth facility. This light fitting is suitable for indoor use only. This fitting operates on 240V mains voltage. Please visit our website to see our recommended dimmers.

### WARNING

You must switch off electricity supply at the mains during installation and maintenance. We strongly recommend that you withdraw the fuse or switch off the circuit breaker whilst work is in progress. Do not only turn off the wall switch. All fittings must be installed in accordance with current Building Regulations and IEE Wiring Regulations.

### RECOMMENDED EQUIPMENT

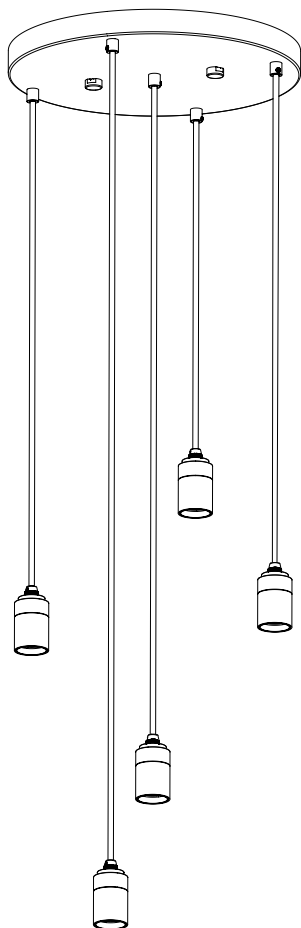
- Screwdriver
- Wire strippers
- Insulation tape

Further equipment may be required for fixing to your ceiling

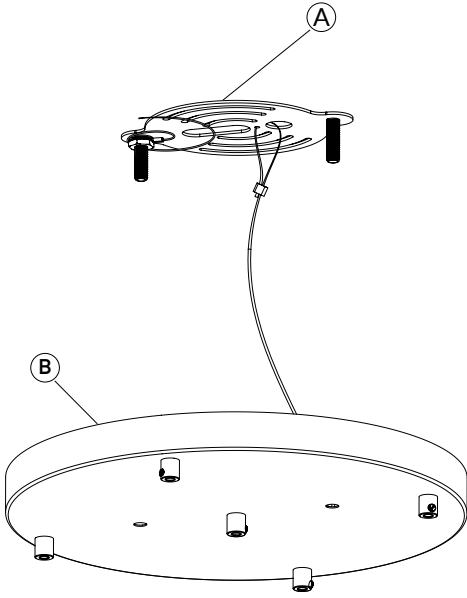
FOR INDOOR USE ONLY

SKU - CP-WHT-FIV-BP-01-EU  
SKU - CP-BLK-FIV-GP-01-EU

SKU - CP-WHT-SET-FIV-BP-04-EU  
SKU - CP-BLK-SET-FIV-GP-04-EU



# Five Pendant - Provided Components



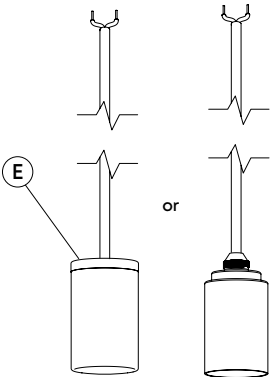
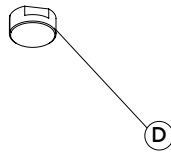
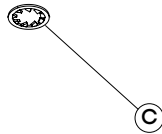
(A) x1 Ceiling Bracket

(B) x1 Canopy

(C) x2 M10,  
Internal tooth washer

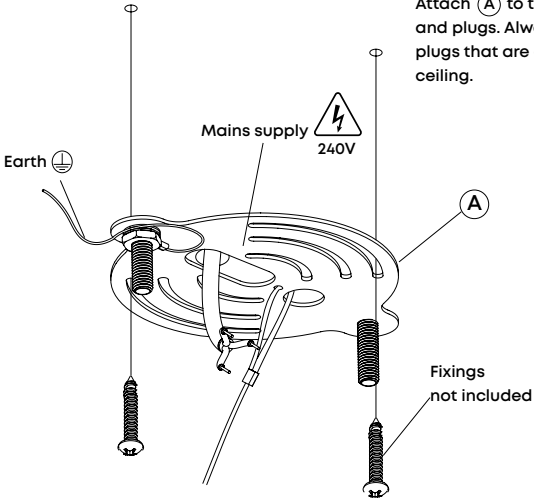
(D) x2 Nut

(E) x5 Tala Pendants  
*Oak, Walnut, Brass or  
Graphite*



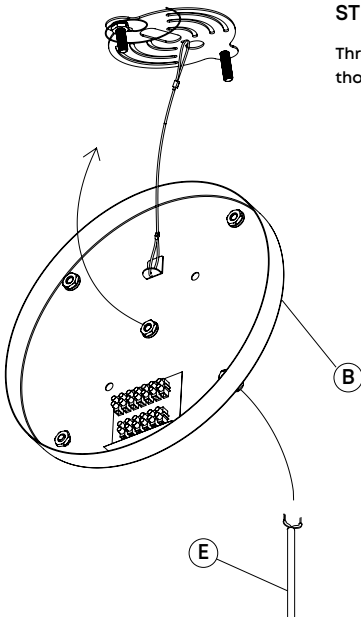
## STEP 1

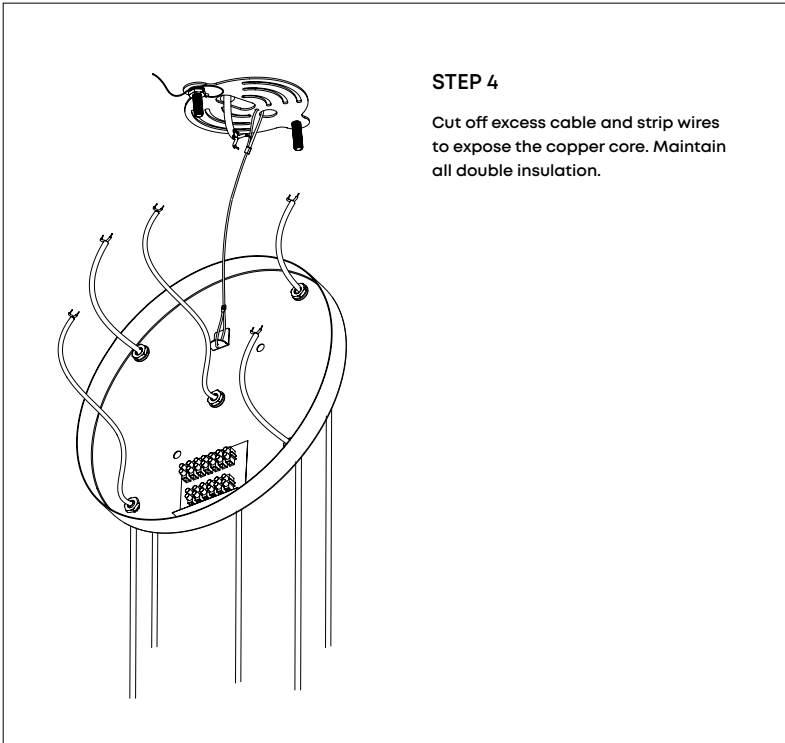
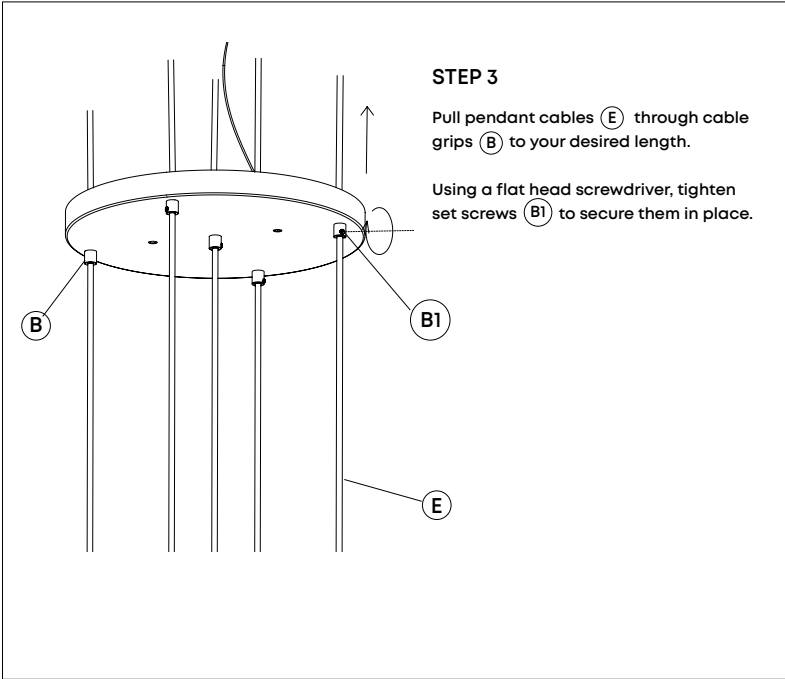
Attach (A) to the ceiling using screws and plugs. Always choose screws and plugs that are appropriate for the ceiling.



## STEP 2

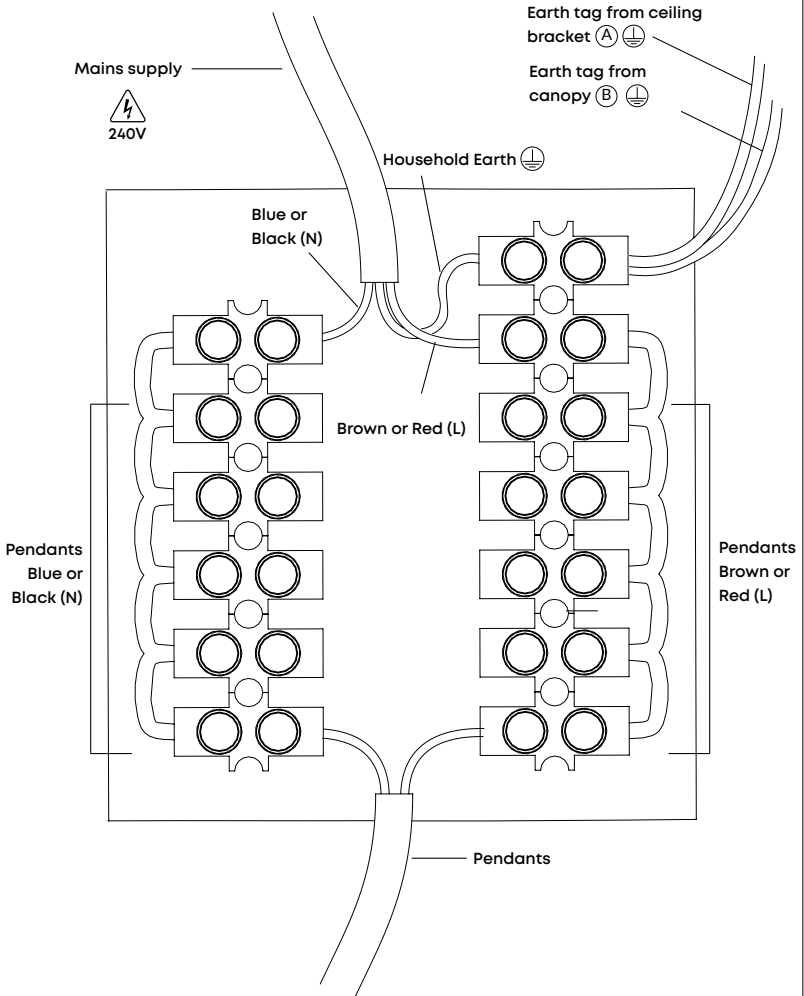
Thread all five pendant cables (E) through canopy cable grips (B).

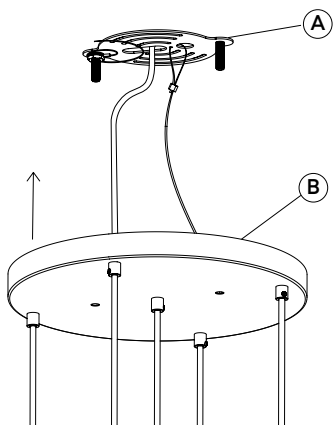




## STEP 5

Connect the pendants, canopy and mains wiring as shown.

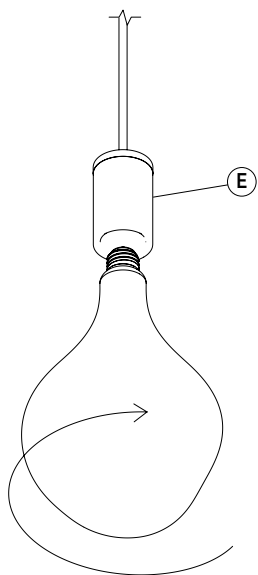
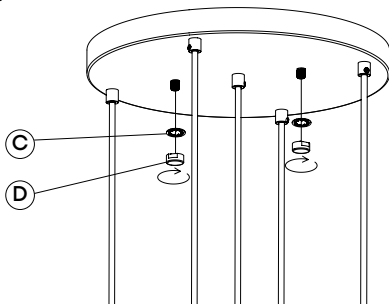




## STEP 6

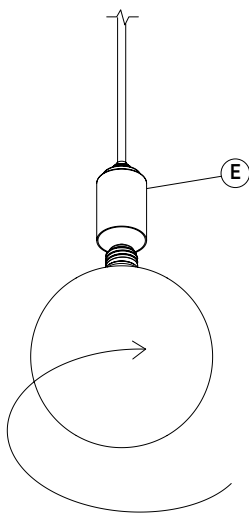
Move (B) up onto (A). Use toothed washer (C) and nut (D) to secure them in place.

Do a final tighten with the correct spanner.



## STEP 7

Screw bulbs clockwise into the pendants (E) until secure.



---

## WARRANTY AND AFTER-CARE

This product has a two-year warranty. If there appears to be a functional defect with the product during this time, please contact our team at [customerservice@tala.co.uk](mailto:customerservice@tala.co.uk).

Please note, the flexible cable attached to this luminaire cannot be replaced; if the cable is damaged, recycle the luminaire and seek a replacement.

---

### Join the Community

Instagram: @tala | Facebook: talaHQ | Pinterest: TalaLED | Tag: lighttoliveby  
Tala Energy Ltd. 25B Vyner Street, London E2 9DG | [hello@tala.co.uk](mailto:hello@tala.co.uk)  
Tala Europe B.V, Bertus Aafjeshove 40, Nieuwegein 3437JN, Netherlands