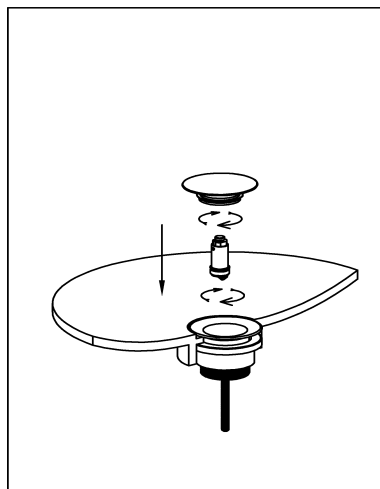
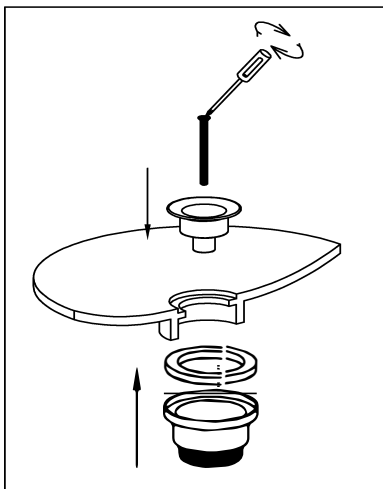
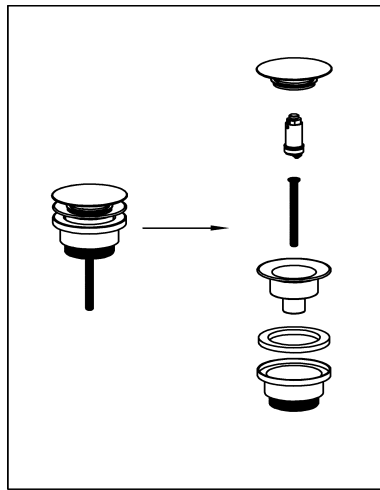
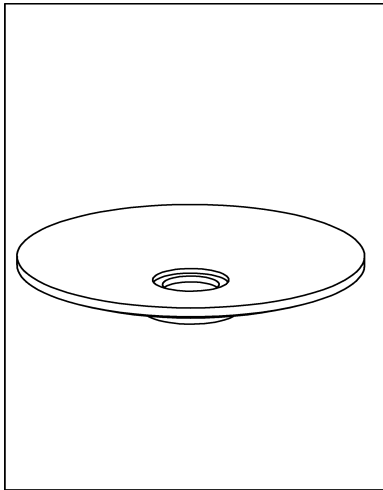


# Installation Guide Click Clack Basin Waste ACC-114



## WARRANTY REQUIREMENTS

For full warranty terms and conditions please visit the warranty section of our website. Please pay attention to below. Failure to do so will void your warranty.

1. Do not use acid cleansers
2. Do not use abrasive cleansers
3. Do not use abrasive cloths

## Installation

1. Identify that all components are present.
2. Remove covers from body.
3. Position body under pre-drilled waste holes & screw into place.
4. Screw cover back into place & check to ensure no leakage.

## Maintenance and Care

- To clean the mixers surface use clean hot soapy water. ONLY use soft fabric cloths.
- DO NOT use cleaning solutions that contain hydrochloric acid, formic acid, concentrated caustic soda, chlorine or acetic acid as they can cause considerable damage.
- DO NOT use any coarse cleaning powders or brushed pads to clean the mixer.