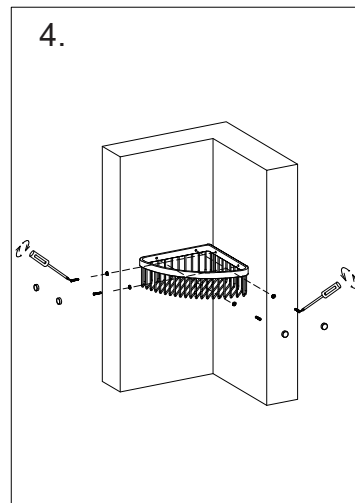
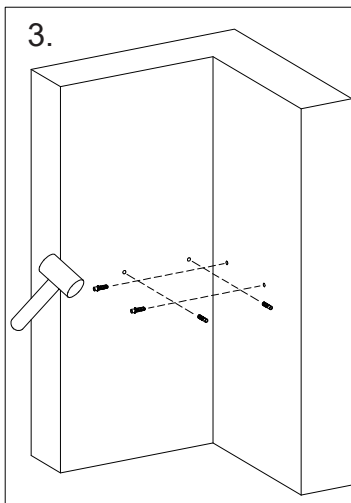
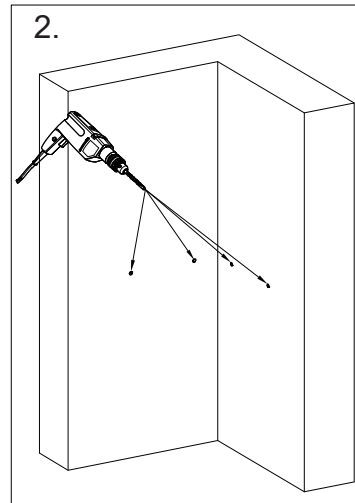
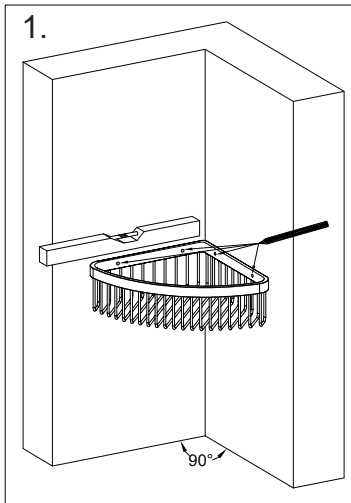


Accessories

Shower Basket

SHWB-115



WARRANTY REQUIREMENTS

For full warranty terms and conditions please visit the warranty section of our website. Please pay attention to below. Failure to do so will void your warranty.

1. Do not use acid cleansers
2. Do not use abrasive cleansers
3. Do not use abrasive cloths

Installation

1. Measure the distance between the fixings on the Shower Basket and transfer these measurements onto the wall. Make sure the markers are level.
2. Now drill into the marked measurements.
3. Insert the wall plugs into the holes that have been drilled.
4. Using your drill, screw the plates into the wall plugs so that they are flush with the wall.

Maintenance Instructions

To avoid damage it is necessary to consider the below guidelines.

1. To clean the mixer's surface use clean hot soapy water. ONLY use soft fabric cloths.
2. DO NOT use cleaning solutions that contain hydrochloric acid, formic acid, concentrated caustic soda, chlorine pale lye or acetic acid as they can cause considerable damage.
3. DO NOT use any coarse cleaning powders or brushes to clean the mixer.