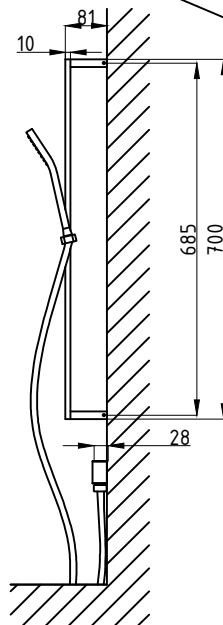
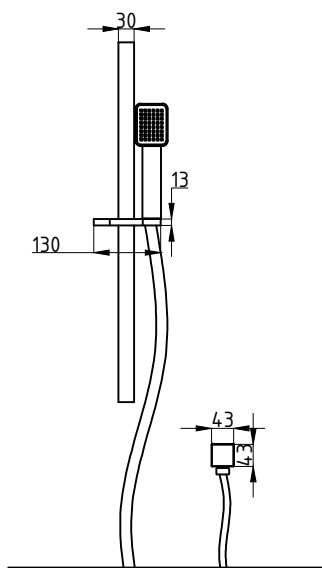
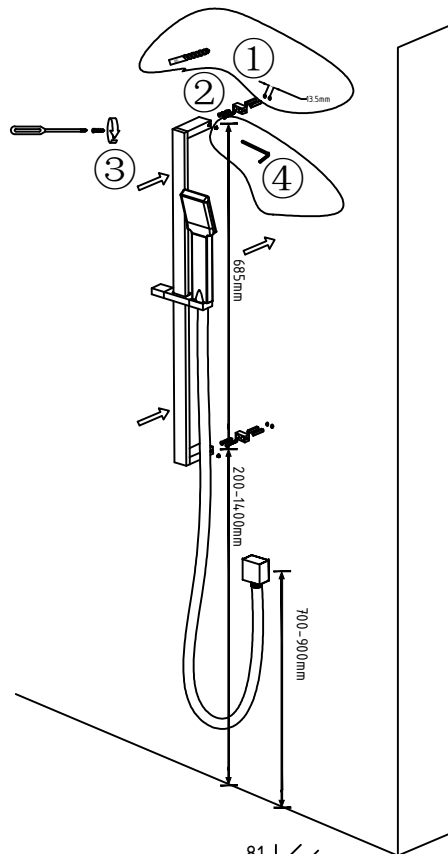
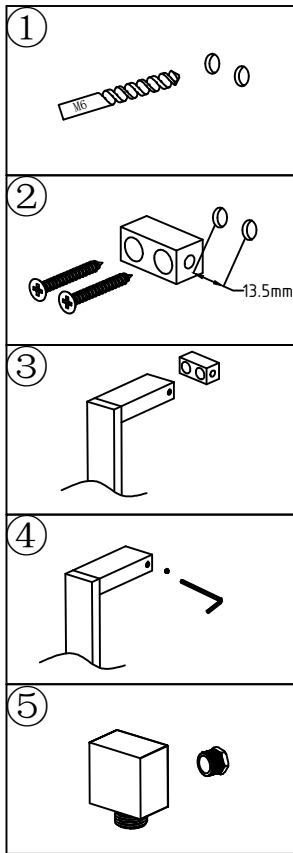




Installation Guide



Installation Notes

Important

Please read this manual carefully before installing the product
 Installation tool: goggles, electric drill 6mm (or other sizes depending on the screws used), cross "+" and "flat" - screwdriver.

Note: This must be done by a qualified plumber.

1. Use an electric drill to open the hole in the on the wall and put into expand button.
2. Use the screw to lock the fixed base to the corresponding hole position. Pay attention to the fixed base.
3. The side with the positioning hole must point to the right direction.
4. Adjust the main body of the lifting frame to the right, pay attention to the direction of the positioning hole to the right, parallel and The wall mounts the base into the fixed base.
5. Use a small hex wrench to lock the M5 headless screw to the base of the crane.
6. The spout is installed to the preset position

Note 1. Choice of installation location

- (1) Select the appropriate location on the solid wall.
- (2) Wall openings cannot be in the pipe or wire position.
- (3) Make holes between the tiles as much as possible.

If you must drill holes in the surface of the tile, it is best to use a suitable tool to prevent porcelain. Bricks are not broken, if you open a hole in the tile surface, you are at your own risk.

Anchoring the back of the tile avoids the breakage of the tile, which is a risk for the user to drill into.

WARNING: Drilling a pipe or wire into a hole in the wall can cause serious consequences.

Not responsible for damage to the body and / or property

Goggles must be worn during installation.

Cleaning

To keep the surface shiny, please clean the shower tube frequently or regularly.

Do not use coarse-grained detergent or nylon brush, such as decontamination powder or polishing powder, to avoid wear products.

- (2) Since the acidic detergent can corrode the coating, it should not be used if the acidic detergent is washed over porcelain. Bricks, please wash the tiles and utensils immediately to prevent the detergent from flowing to the surface of the product.