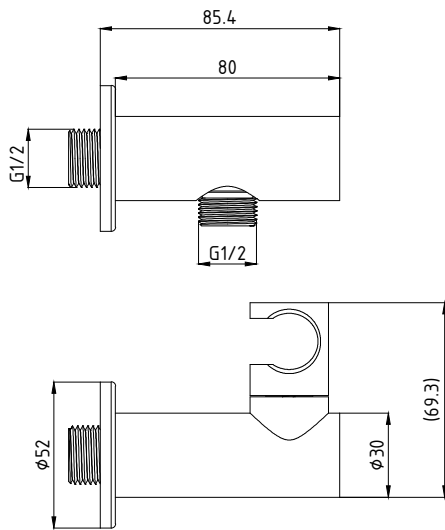


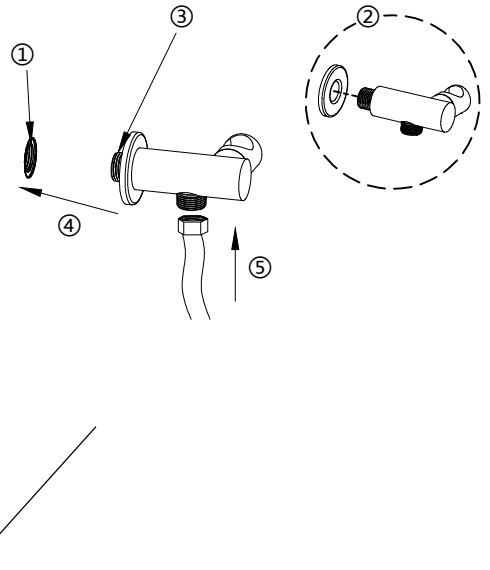
Installation Guide

1、 Essential Dimension Diagram



Unit : mm

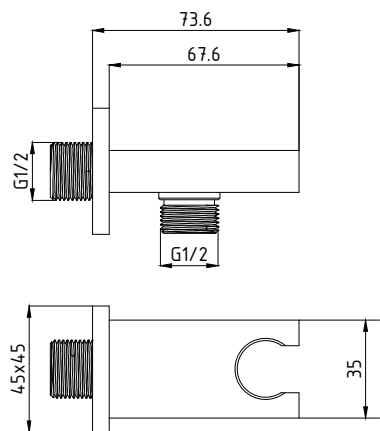
2、 Installation Step



- ① Pls confirm the screw thread on the wall is G1/2 standard
- ② Put the flange to the product as showed
- ③ Wrap the screw thread with sealing tape
- ④ Screw the product to the wall
- ⑤ Finally , connect the hand shower and the hose

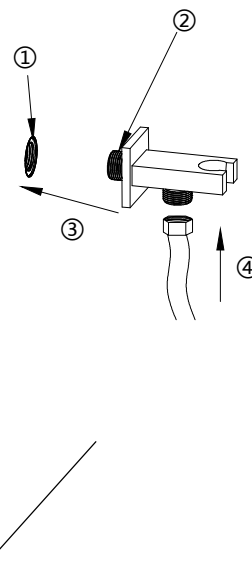
Installation Guide

1、 Essential Dimension Diagram



Unit : mm

2、 Installation Step



- ① Pls confirm the screw thread on the wall is G1/2 standard
- ② Wrap the screw thread with sealing tape
- ③ Screw the product to the wall
- ④ Finally , connect the hand shower and the hose