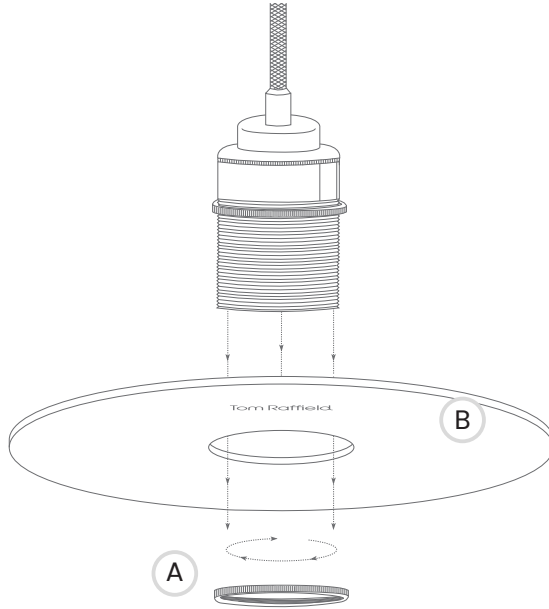


Pendant Light Installation Instructions



Only qualified persons should assemble the luminaire. If in doubt, consult a suitably qualified person. Installation MUST be carried out in accordance and compliance with current building regulations.

All Tom Raffield Pendants have been designed to fit an existing E27/ES (Edison Screw) fitting and the optional E27 ceiling kit provided. This must be installed by a qualified electrician before following the instructions below. Separate ceiling kit installation instructions are provided. If you are fitting to a B22/BC (Bayonet Cap) you will need to source your own shade ring reducer/adaptor.

Ensure the electrical supply is turned OFF at the fuse board.

1. To fit the lampshade to the ceiling kit, unscrew the shade ring (A) exposing the thread of the lamp holder. Sandwich the wooden disk (B) of the lampshade between the lamp holder and shade ring and tighten to ensure the shade is held securely.
2. Screw in your chosen light bulb. The lampshade has been designed to work with an LED bulb, up to a maximum of 25 Watts.
3. Turn the power supply on to complete installation.