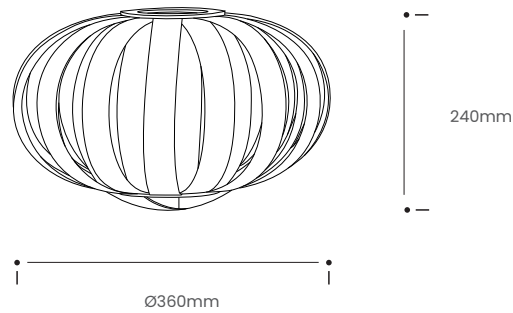


# URCHIN TABLE LIGHT

## Product Specification

Tom Raffield

Urchin Table Light



Warm light gathers between strips of wood. Flexed to the brink then fixed into an organic sphere inspired by sandcombed shells, our Urchin Lighting Range brings atmosphere in abundance.

32 taut curves fused together with laser cut birch plates, carefully manipulated to conceal the bulb. Sustainable Ash, Oak or Walnut sees light escape through the seams, creating pools of brightness in the dark.

Soften your space. Create clusters. Draw the eye...

The Urchin Lighting Range is also available as a Pendant and Wall Light.

Product Type : Table Light	SKU	Wood types	Dimensions L x W x H (mm)		Weight (kg)	
			Unboxed	Boxed	Unboxed	Boxed
Urchin Table Light	TR-URC-TBL-W	Walnut	Ø380 x 240	470 x 465 x 325	0.5	2.1
	TR-URC-TBL-O	Oak				
Materials	Oak	Walnut	Other materials Birch ply frame			
Finish	Finished with a blend of natural wax oils to give a protective, hardwearing and beautiful finish.					
Wiring kit options	Brass bulb holder with black inline switch and plug	Wiring kit Plastic inline switch E27 (240v)	Flex Flex colour: grey fabric Cable length: 228cm from plug to bulb holder	Recommended light bulb Max 25W LED		
Care information	Dusting your light regularly and with a light feather duster should keep your light looking clean, otherwise wipe with a damp cloth and remove any moisture with a dry cloth. Gentle furniture polishes can also be used.					
Additional information	<ul style="list-style-type: none"> <li>Suitable for use on 240v circuits.</li> <li>This product can be plugged straight into a 240v outlet.</li> </ul>					