



Item: \_\_\_\_\_

Quantity: \_\_\_\_\_

Project: \_\_\_\_\_

**Electric Thermostatic Griddle**

## Royal Series

Models:  RTGE-12  RTGE-24  RTGE-36  RTGE-48  RTGE-60  RTGE-72



RTGE-36

Voltage:  208V  240V

Phase:  1 Phase  3 Phase

### Standard Features

- 21" cooking depth
- 11" high, Low Profile
- Compact heavy gauge chassis for long life
- Stainless steel sides, control panel and ledge for easy cleaning
- Double wall panels for cooler sides
- Independent heating elements every 12", 3.4 KW each
- Energy saving thermostatic controls every 12" (200°-500°F)
- 4" wide S/S grease trough with large drain opening for easy cleaning
- Large 1 1/2 gallon capacity S/S grease can
- 3/4" thick polished steel griddle plate
- 4" high adjustable heavy duty legs included

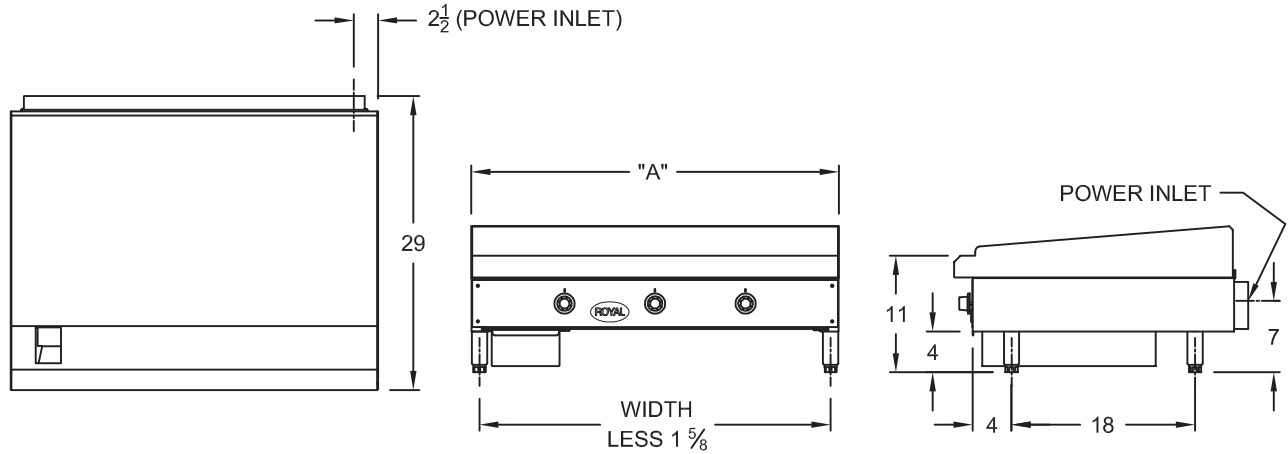
### Options and Accessories

- Grooved griddle (specify width: \_\_\_\_\_")
- Chrome griddle plate
- Stainless Steel Equipment Stand
  - Knock Down  All Welded
- Size
  - 12"  24"  30"  36"  48"  60"  72"
  - 5" swivel casters (set of four - 2 locking)
  - 5" swivel casters (set of six - 3 locking) (60" and 72" stands)



**2 YEAR LIMITED, PARTS AND LABOR WARRANTY**

# Electric Thermostatic Griddle



Model	Width (A)	Total KW	Voltage	MAX AMPS				Ship Wt.
				1 Phase		3 Phase		
				Inlet 1	Inlet 2	Inlet 1	Inlet 2	
RTGE-12	12"	3.4	208	17				140
			240	15				
RTGE-24	24"	6.8	208	33		16		210
			240	29		25		
RTGE-36	36"	10.2	208	50		29		290
			240	43		26		
RTGE-48	48"	13.2	208	66		39		370
			240	57		31		
RTGE-60	60"	17	208	50	50	29	29	460
			240	43	43	25	25	
RTGE-72	72"	20.4	208	50	50	29	29	540
			240	43	43	25	25	

**60" and 72" units have two electrical inlets.**

**To be installed only in noncombustible surroundings. See installation instructions.**

Due to continuing product development to ensure best possible performance, these specifications are subject to change without prior notification.

**Royal Range of California, Inc.**  
 3245 Corridor Dr. • Eastvale, CA 91752 • (800) 769-2414 • (951) 360-1600  
 Fax: (951) 360-7500 • www.royalranges.com • sales@royalranges.com