



Item: \_\_\_\_\_

Quantity: \_\_\_\_\_

Project: \_\_\_\_\_

Kabob Broiler

## Royal Series

Models:  RKTB-24  RKTB-30  RKTB-36  RKTB-48  RKTB-60  
 RKTB-72  RKTB-84



RKTB-36

Gas Type:  Natural  LP

Elevation (if above 2000 ft.): \_\_\_\_\_

### Standard Features

- Low Profile
- Easily removable and replaceable independent firebox assembly
- Large capacity removable stainless steel water pan under the broiler for easy cleaning
- Stainless Steel radiant covers
- Welded and insulated heavy gauge chassis for long life
- Stainless steel sides, front valve cover and ledge
- Double wall panels for cooler sides
- All welded fire box supports heavy duty radiant covers
- Stainless steel tubular burners rated at 18,000 BTU/hr each
- Individually adjustable burners provide powerful radiant heat
- Standing pilots for instant ignition
- Stainless steel tubing for pilots
- 4" high adjustable heavy duty legs included

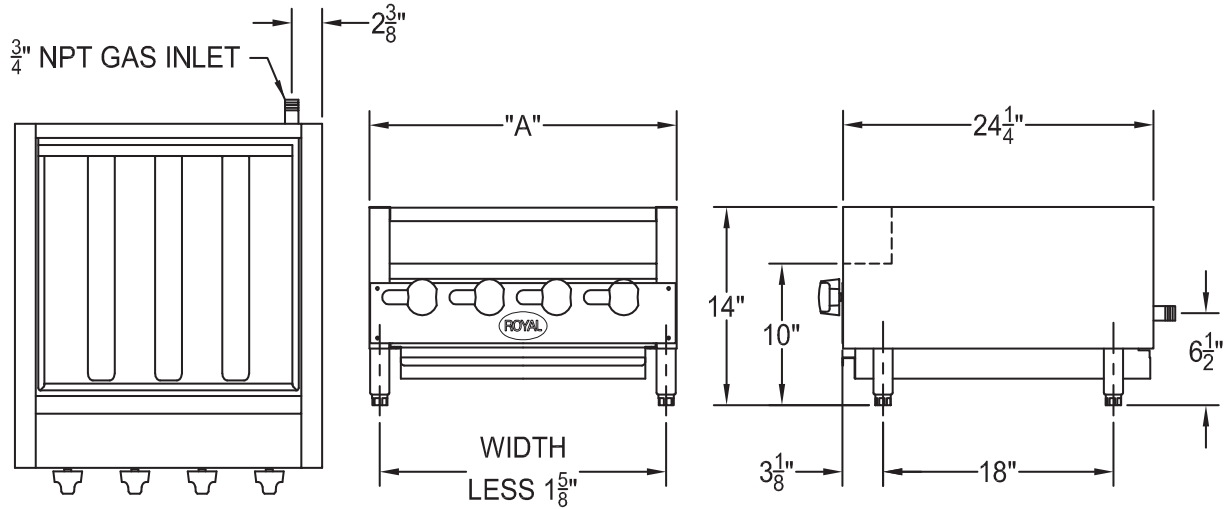
### Options and Accessories

- Add plate shelf with or without cutouts
- Stainless Steel Equipment Stand
  - Knock Down  All Welded
- Size
- 24"  30"  36"  48"  60"  72"  84"
- 5" swivel casters (set of four - 2 locking)
- 5" swivel casters (set of six - 3 locking) (60", 72" and 84" models)



**2 YEAR LIMITED, PARTS AND LABOR WARRANTY**

# Kabob Broiler



| Model Number | Width (A) | Number of Burners | Total BTU | Ship Weight |
|--------------|-----------|-------------------|-----------|-------------|
| RKTB-24      | 25-1/2"   | 4                 | 72,000    | 260 lbs.    |
| RKTB-30      | 31"       | 5                 | 90,000    | 305 lbs.    |
| RKTB-36      | 36"       | 6                 | 108,000   | 350 lbs.    |
| RKTB-48      | 48"       | 8                 | 144,000   | 405 lbs.    |
| RKTB-60      | 60"       | 10                | 180,000   | 455 lbs.    |
| RKTB-72      | 72"       | 12                | 216,000   | 510 lbs.    |
| RKTB-84      | 84"       | 14                | 252,000   | 570 lbs.    |

**Notes:**

- Each burner is rated at 18,000 BTU/hr

**Gas Connection:**

3/4" NPT on the right hand rear of the appliance.

The pressure regulator (supplied) is to be connected by the installer.

Specify type of gas and altitude, if over 2,000 feet, when ordering.

**Gas Pressure:**

|          |             |
|----------|-------------|
| 5" W.C.  | Natural Gas |
| 10" W.C. | Propane     |

**Clearances:**

|       | Combustible | Non-Combustible |
|-------|-------------|-----------------|
| Rear  | 4"          | 0"              |
| Sides | 15"         | 0"              |

Due to continuing product development to ensure best possible performance, these specifications are subject to change without prior notification.

**Royal Range of California, Inc.**

3245 Corridor Dr. • Eastvale, CA 91752 • (800) 769-2414 • (951) 360-1600  
 Fax: (951) 360-7500 • www.royalranges.com • sales@royalranges.com