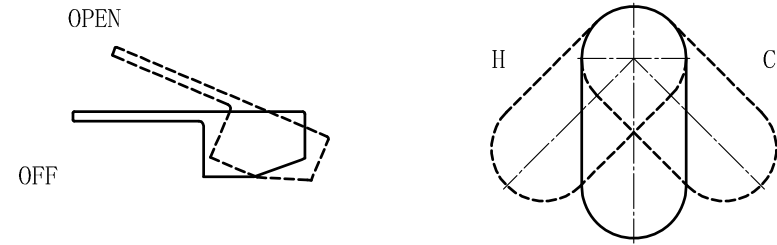


How to use



Maintenance & Care

To avoid damage it is necessary to consider the below guidelines.

1. To clean the mixers surface use clean hot soapy water. ONLY use soft fabric cloths.
2. DO NOT use cleaning solutions that contain hydrochloric acid, formic acid, concentrated caustic soda, chlorine or acetic acid as they can cause considerable damage.
3. DO NOT use any coarse cleaning powders or brushed to clean the mixer.
4. If there is irregular water pressure & water flow is reduced, please check if the spout is clean, if not brush the spout after vinegar soaking.

Warranty Requirements

For full warranty terms and conditions please visit the warranty section of our website. Please pay attention to the below. Failure to do so will void your warranty:

1. Do not use acid cleansers
2. Do not use abrasive cleansers
3. Do not use abrasive cloths

Troubleshooting

Fault: Hot is coming out when I select cold or vise versa:
Cause: Hot and cold pipes are connected the wrong way around.

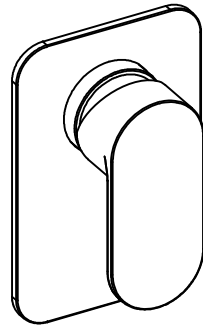
Fault: Fluctuating flow rate:
Cause: Possible blockage in the system or operating conditions is incorrect.

Fault: Low or no flow from the valve:
Cause: Possible blockage in the system, operating conditions is incorrect or there is a blockage in the system.

Fault: Leak from the valve:
Cause: The holder isn't inserted to the bottom.



Installation Guide Soft Square Manual Valve with One Outlet MANSQ-1-VALVE



Important Information

It is recommended that this product is installed by a qualified professional.

Please remove all packaging and check this product to ensure it has not been damaged or any parts are missing.

Before installing please make sure this is the correct model and you have all the parts required for installation and usage.

The printed picture is for reference only, this product is according to the actual goods.

Please check all the accessories are present.

Always read these instructions carefully and keep for future reference.

Operating Information

Operating Pressure
Minimum operating pressure 0.5 bar
Maximum operating pressure 8 bar

Pre-Installation

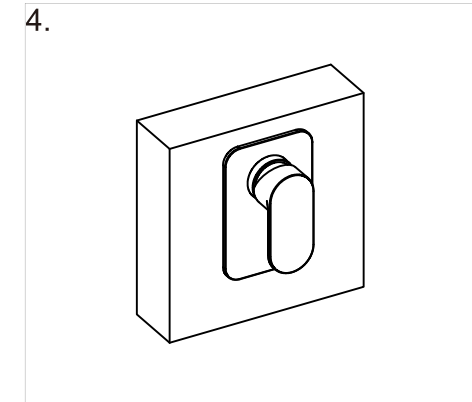
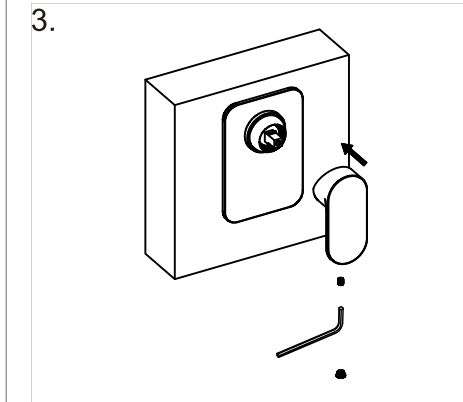
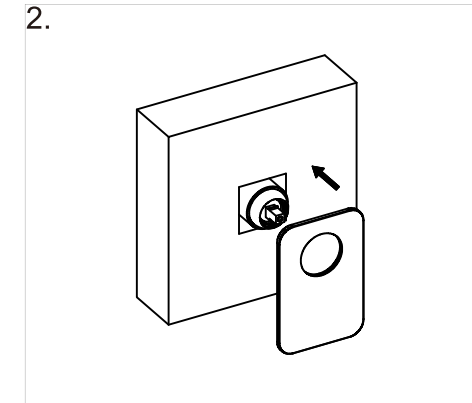
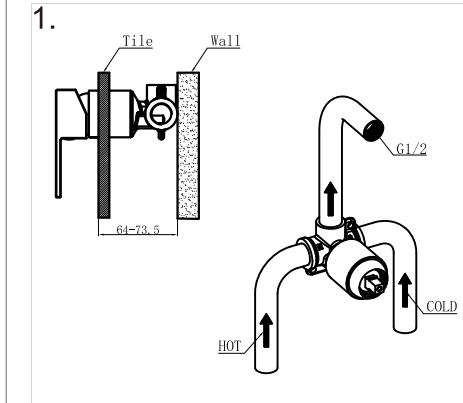
1. Before installing the valve, flush through the pipe work to remove any debris & other impurities that can enter the tap.
2. Turn off water supply at the isolation valves before commencing with work.
3. To avoid damage, please make sure the water inlet flexible pipes are not twisted when in use.

Installation

Get all accessories ready according to picture (1) the left hose (red) is for hot water inlet, and the right hose (blue) is for cold water inlet. Please install one hose at a time.

1. Install the body of the manual valve into the proposed position in the wall. Connect the Hot and Cold water pipework to body inlets & fix body into place. Ensure you have also connected pipework for shower head and hand shower if required.
2. Please ensure the size of the hole is smaller than the size of the plate and tile. Fix the plate onto the tile over the body of the product.
3. Using the Allen key provided tighten the handle on to the valve body.
4. Pls check the valve and make sure no leakage.

PLEASE MAKE SURE YOU FULLY TEST YOUR PRODUCT BEFORE TILING ETC.
WE WILL NOT BE RESPONSIBLE FOR ANY COSTS INVOLVED IN REMOVAL OF
THE TAP IF YOU FIND THERE IS A FAULT.



IMPORTANT NOTICE

All products must comply with regulations of Local Water Authority as contained in their by-laws.

If the product is not supplied with balanced pressure, the mixer will not function properly. Non-return valves should be fitted on both the hot and cold feeds as close to the tap as possible (non-return valves not provided).