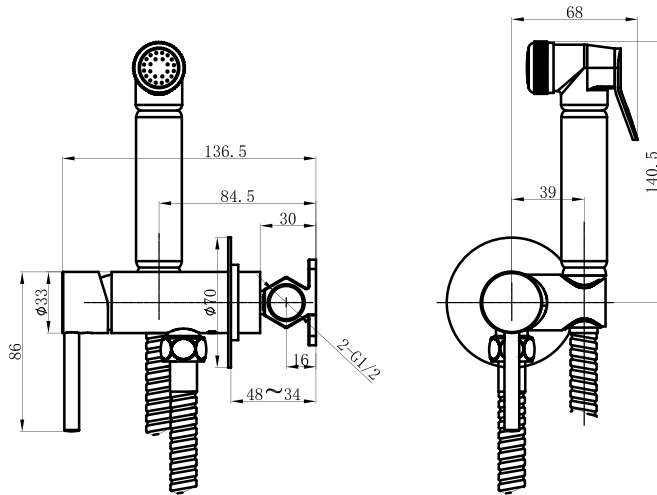




Installation Guide

MANUAL DOUCHE SPRAY KITS

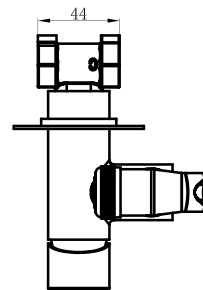
DOUCHE



IMPORTANT NOTICE

All products must comply with regulations of Local Water Authority as contained in their by-laws.

If the product is not supplied with balanced pressure, the mixer will not function properly. Non-return valves should be fitted on both the hot and cold feeds as close to the tap as possible (non-return valves not provided).



Please follow them carefully and
leave this manual with end user

