



Item: \_\_\_\_\_

Quantity: \_\_\_\_\_

Project: \_\_\_\_\_

## Delux Series

Models:  ORHP-112     ORHP-224     ORHP-336



ORHP-336

Gas Type:  Natural     LP

Elevation (if above 2000 ft.): \_\_\_\_\_

### Standard Features

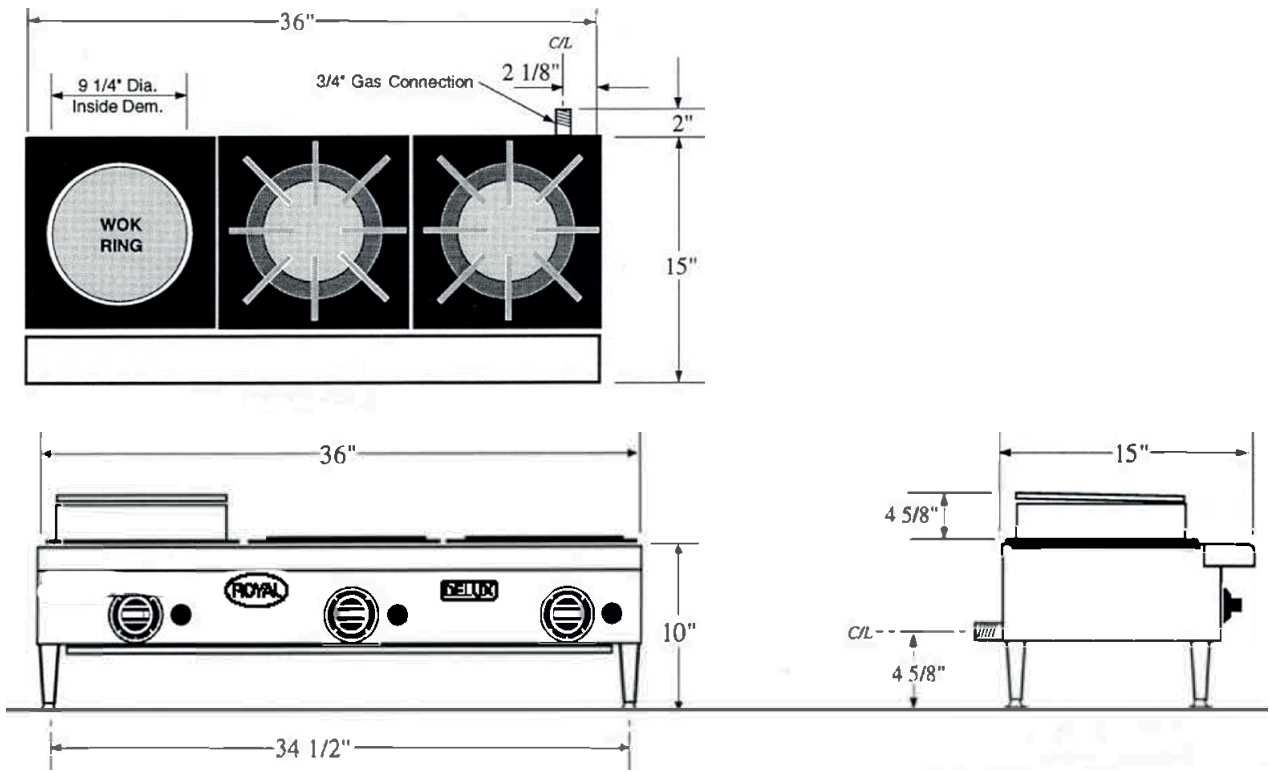
- Fully welded frame with lifetime warranty
- 10" high, Low Profile
- Heavy 3/8" thick plate with 9 3/4" stainless steel wok ring or heavy cast iron 12" x 12" top grates with unique bowl design
- Full width, removable stainless steel crumb pan for easy cleaning
- Stainless steel sides, front valve cover and ledge for easy cleaning
- Double wall panels for cooler sides
- Cast iron burners rated at 30,000 BTU/hr each featuring removable, non-clog lift off heads with flat top design
- Protected standing pilots for instant ignition
- Manual control for each burner
- Stainless steel tubing for pilots
- 4" high adjustable heavy duty legs included

### Options and Accessories



**2 YEAR LIMITED, PARTS AND LABOR WARRANTY**

# Original Flex System



Model Number	Width (A)	Depth	Number of Burners	Total BTU	Ship Weight
ORHP-112	12"	17½"	1	30,000	45 lbs.
ORHP-224	24"	17½"	2	60,000	79 lbs.
ORHP-336	36"	17½"	3	90,000	108 lbs.

**Notes:**

- Each burner is rated at 30,000 BTU/hr

**Gas Connection:**

3/4" NPT on the right hand rear of the appliance.

The pressure regulator (supplied) is to be connected by the installer.

Specify type of gas and altitude, if over 2,000 feet, when ordering.

**Gas Pressure:**

5" W.C.	Natural Gas
10" W.C.	Propane

**Clearances:**

	Combustible	Non-Combustible
Rear	4"	0"
Sides	15"	0"

Due to continuing product development to ensure best possible performance, these specifications are subject to change without prior notification.

**Royal Range of California, Inc.**  
 3245 Corridor Dr. • Eastvale, CA 91752 • (800) 769-2414 • (951) 360-1600  
 Fax: (951) 360-7500 • www.royalranges.com • sales@royalranges.com