



**REFRIGERATION**

*SERVING THE FOOD INDUSTRY SINCE 1951*

## 47-INCH REFRIGERATED SANDWICH/SALAD PREP TABLE

Item: 50046 | Model: PT-CN-1194-HC



### *High Performance and Quality Refrigerated Prep Table*

Omcan's 47-inch Refrigerated Sandwich/Salad Prep Table helps you to create your signature sandwiches and salads fast and easy. With its spacious working area, this refrigerated prep table gives you room to store extra ingredients as well. It uses Hydro-Carbon R290 refrigerant which is environmentally friendly and more efficient.



### **WARRANTY**

2 YEARS PARTS & LABOR  
5 YEARS ONLY ON COMPRESSOR



**NEMA**  
5 - 15R  
125 VAC / 15 AMP  
RECEPTACLE



Authorized Dealer

# REFRIGERATION

## 47-INCH REFRIGERATED PREP TABLE

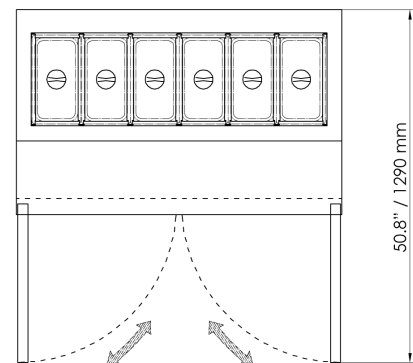
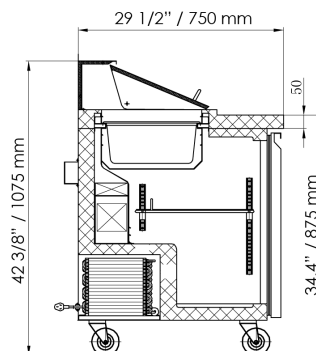
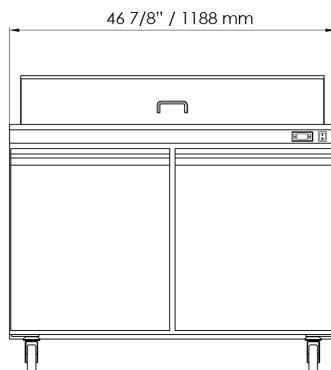


### FEATURES

- Stainless steel interior and exterior, aluminum back
- Refrigeration system keeps food at safe temperatures between 33°F and 41°F (0.5°C to 5°C).
- Self-closing doors with 90 degree stay-open feature
- Adjustable heavy-duty PVC coated shelves
- 10 mm cutting board thickness
- Uses Hydro-Carbon R290 refrigerant which is environmentally friendly and more efficient

ITEM NUMBER	50046	NUMBER OF DOORS	2
MODEL	PT-CN-1194-HC	NUMBER OF SHELVES	2
DESCRIPTION	47" Refrigerator	SHELF CAPACITY	18 kg. / 40 lbs.
TEMPERATURE RANGE	0.5°C -5°C / 33°F - 41°F	CUTTING BOARD	47" x 10.3" x 0.4" 1186 x 262 x 10 mm
MAX AMBIENT TEMPERATURE RATING	32°C / 90°F	EXTERIOR DIMENSIONS (WDH)	46 7/8" x 29 1/2" x 42 3/8" 1188 x 750 x 1075 mm
HORSEPOWER	1/4+ HP	INTERIOR DIMENSIONS (WDH)	42.8" x 23.8" x 23.5" 1088 x 605 x 597 mm
ELECTRICAL	110V / 60Hz / 1Ph	PACKAGING DIMENSIONS	52" x 34 5/8" x 45 5/8" 1320 x 880 x 1160 mm
AMPS	4.56	NET VOLUME	9.5 cu. ft. / 268 L
REFRIGERANT	R290	WEIGHT	271 lbs. / 123 kg.
ISOLATION MATERIAL	Cyclopentane	PACKAGING WEIGHT	394 lbs. / 179 kg.
COOLING SYSTEM	Ventilated		
INSERT CAPACITY	Twelve 1/6 pans or Six 1/3 pans		

### ▶ TECHNICAL DRAWINGS AND DIMENSIONS



## OMCAN INC.

Telephone: 1-800-465-0234  
 Fax: (905) 607-0234  
 Email: sales@omcan.com  
 Website: www.omcan.com



Follow us to keep up to date with the latest news and offers

