

## Installation Guide

# CORE - SPOTLIGHT

---

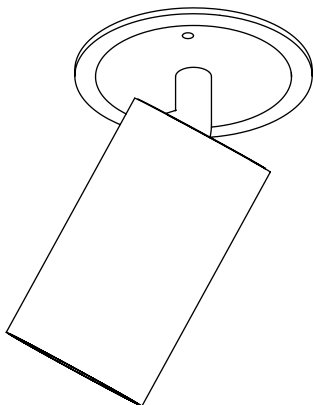
Thoughtful lighting, responsibly designed in London.

Thank you for making the switch to Tala.  
Discover the full Tala family at [tala.co.uk](http://tala.co.uk)

---

### BEFORE STARTING

Please read instructions thoroughly before installation and keep them for future reference. Please take extreme care when dealing with electrical equipment. Improper assembly can undermine the safety and longevity of the product.



### IMPORTANT

This light fitting must be connected to the supply earth. If your lighting circuit does not have an earth, ask a qualified electrician to provide an earth facility. This fitting operates on 240V mains voltage. Please visit our website to see our recommended dimmers. This product is for indoor use only.

### WARNING

Always switch off electricity supply at the mains during installation and maintenance. We recommend that the fuse is withdrawn or the circuit breaker is switched off whilst work is in progress. Do not just turn off at the wall switch. All fittings must be installed in accordance with current Building Regulations and IEE Wiring Regulations.

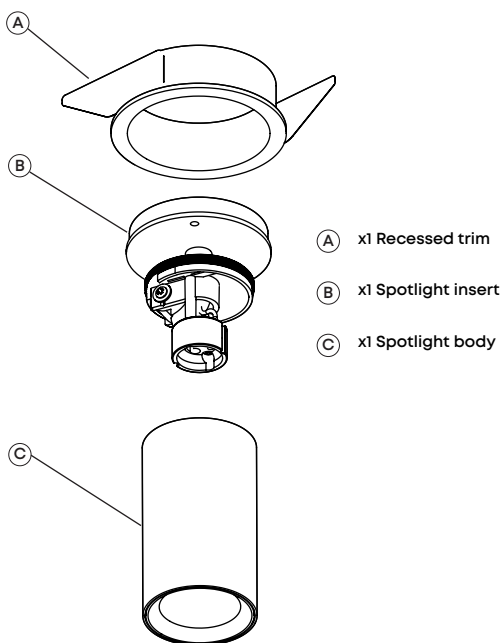
### RECOMMENDED EQUIPMENT

- Ø76mm/3in Hole saw
- Flathead screwdriver
- Wire strippers
- Insulation tape

Further equipment may be required for fixing to your wall or ceiling

---

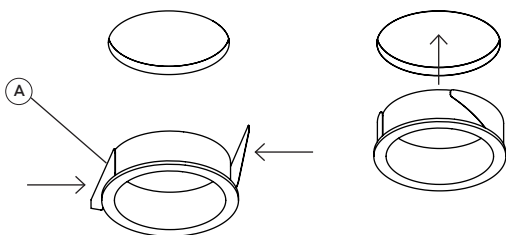
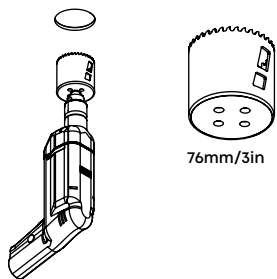
# Core Downlight - Provided Components

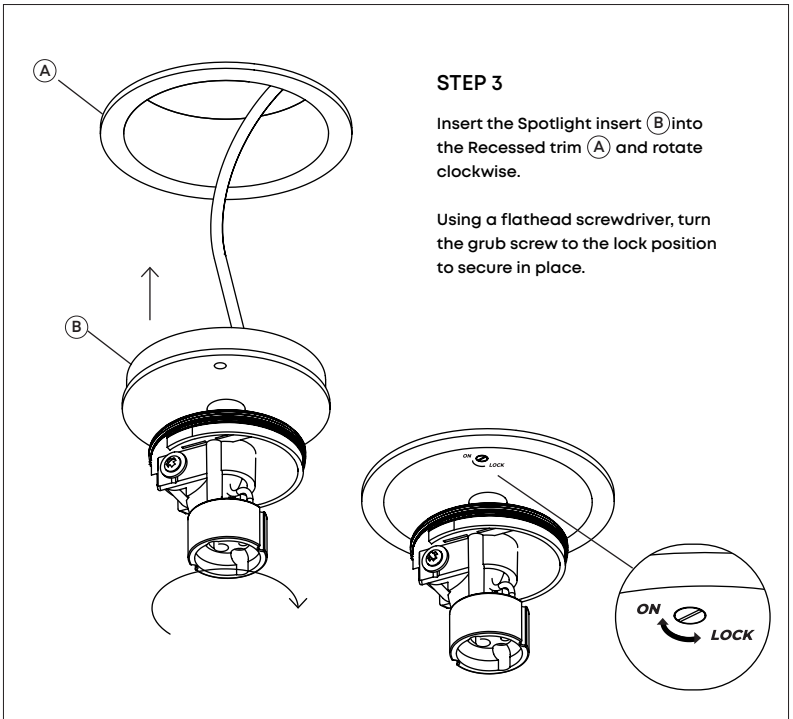
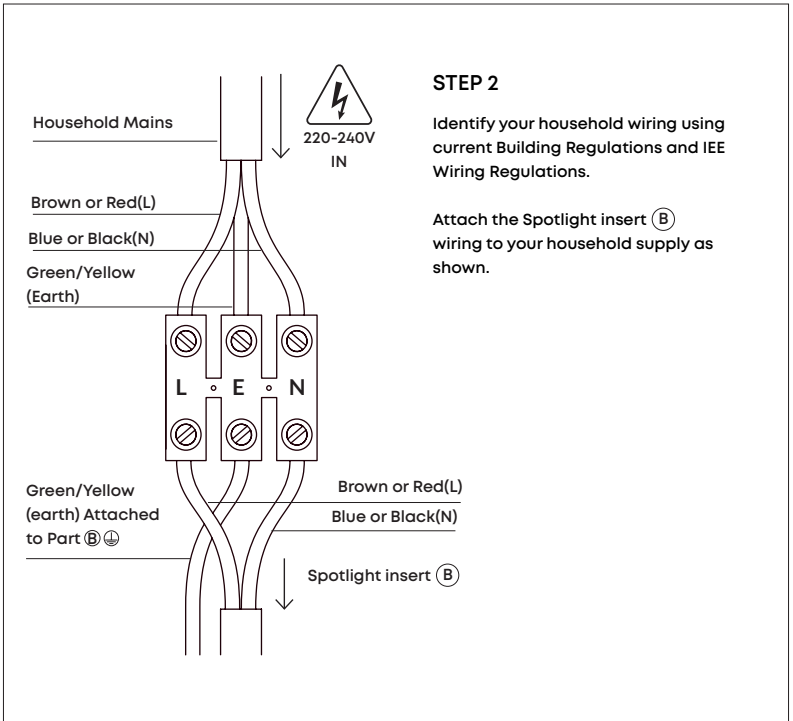


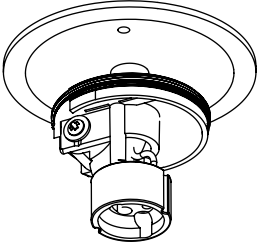
## STEP 1

Create a 76mm/3in hole for the fixture.  
This downlight is designed to be installed after plastering.

Insert the Recessed trim **(A)** into the cutout by folding in the flanges.  
Releasing the flanges will hold the fixture in place.



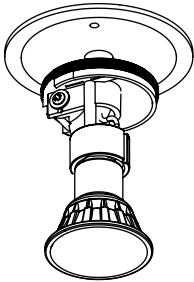
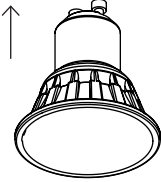




#### STEP 4

Insert your GU10 bulb into the GU10 Lampholder.

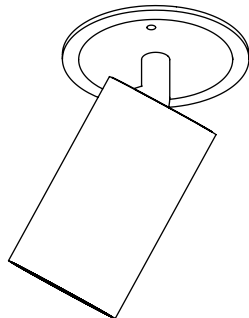
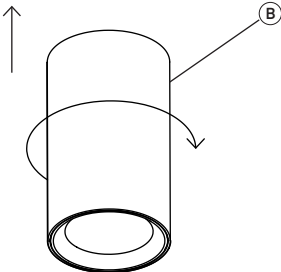
Tala GU10s can be purchased separately from [tala.co.uk](http://tala.co.uk).



#### STEP 6

Screw the Spotlight body onto the Spotlight arm.

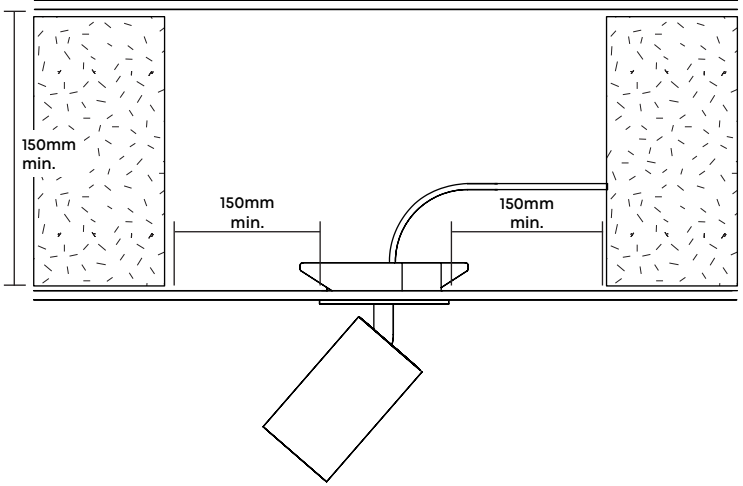
The spotlight can be rotated 350° and angled up to 90°.



## IMPORTANT

This fixture is not suitable for covering with thermal insulation.

Ensure adequate mounting spacing in the ceiling cavity as shown.



## CARE AND CLEANING

We recommend cleaning with a soft dry cloth.

If required, further cleaning can be achieved with warm, soapy water.

Do not use abrasive materials as these will damage the lacquer.


Do not use alcohol or other solvents.

## WARRANTY AND AFTER-CARE

This product has a two-year warranty. If there appears to be a functional defect with the product during this time, please contact our team at [customerservice@tala.co.uk](mailto:customerservice@tala.co.uk).

Please note, if the cable attached to this fixture is damaged, it should only be replaced by qualified person.

---

This symbol  indicates that electrical and electronic equipment (WEEE) should not be mixed with general household waste. For recovery and recycling, please take this product to a designated collection point where it will be accepted free of charge. Many retailers offer this in-store. Disposing of this product correctly will help save valuable resources and prevent any potential negative effects on human health and the environment.

## Join the Community

Instagram: @tala | Facebook: talaHQ | Pinterest: TalaLED | Tag: lighttoliveby  
Tala Studios, 25B Vyner Street, London E2 9DG | [hello@tala.co.uk](mailto:hello@tala.co.uk)  
Tala Europe B.V, Bertus Aafjeshove 40, Nieuwegein 3437JN, Netherlands