

Installation Guide

CORE - DOWNLIGHT IP65

Thoughtful lighting, responsibly designed in London.

Thank you for making the switch to Tala.
Discover the full Tala family at tala.co.uk

BEFORE STARTING

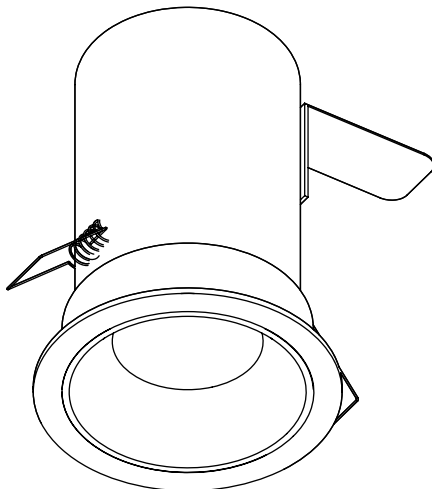
Please read instructions thoroughly before installation and keep them for future reference. Please take extreme care when dealing with electrical equipment. Improper assembly can undermine the safety and longevity of the product.

IMPORTANT

This fitting operates on 240V mains voltage.
Please visit our website to see our recommended dimmers.
This product is for indoor use only.



Not suitable for covering with thermal insulation.



WARNING

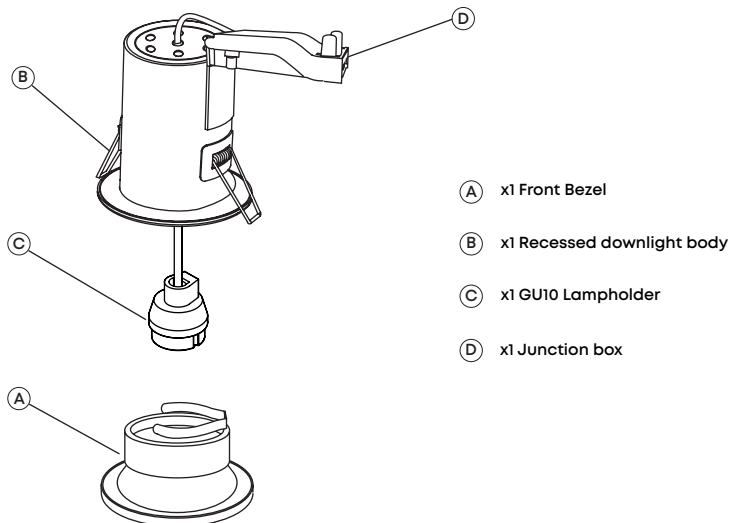
Always switch off electricity supply at the mains during installation and maintenance. We recommend that the fuse is withdrawn or the circuit breaker is switched off whilst work is in progress. Do not just turn off at the wall switch. All fittings must be installed in accordance with current Building Regulations and IEE Wiring Regulations.

RECOMMENDED EQUIPMENT

- Ø76mm/3in Hole saw
- Wire strippers
- Insulation tape

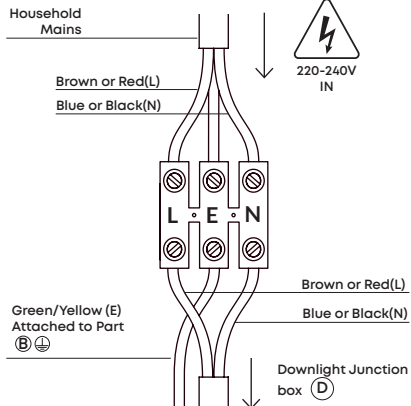
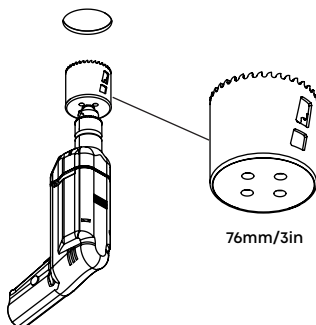
Further equipment may be required for fixing to your ceiling.

Core Downlight IP65 - Provided Components



STEP 1

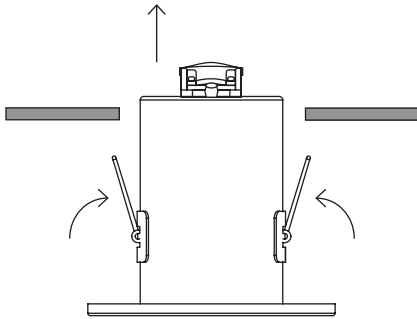
Create a 76mm/3in hole for the fixture.
This downlight is designed to be installed after plastering.



STEP 2

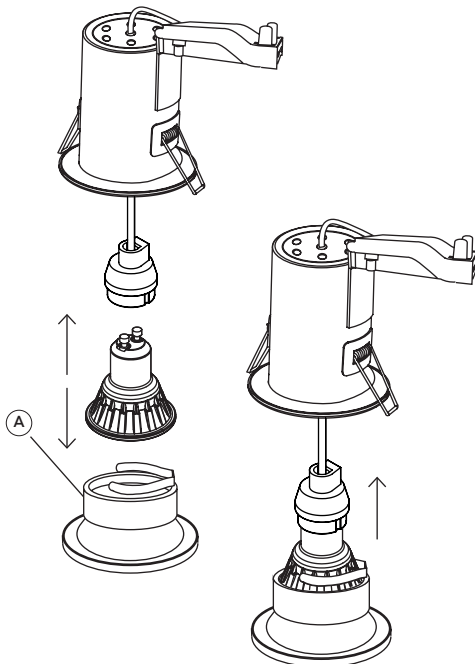
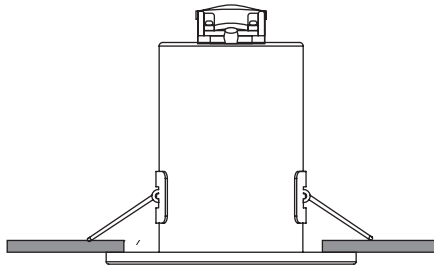
Identify your household wiring using current Building Regulations and IEE Wiring Regulations.

Attach the Downlight junction box (D) wiring to your household supply as shown. Use an appropriate junction box.



STEP 3

Fold the springs and insert the downlight body (B) into the cavity.



STEP 4

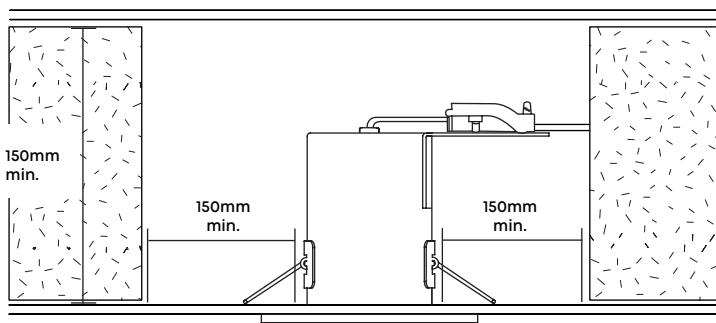
Clip a GU10 into the front bezel (A). Tala GU10s can be purchased separately from tala.co.uk.

Attach the GU10 into the lampholder.
Click the bezel securely into the recessed downlight body.

IMPORTANT

This fixture is not suitable for covering with thermal insulation.

Ensure adequate mounting spacing in the ceiling cavity as shown.




CARE AND CLEANING

We recommend cleaning with a soft dry cloth.
If required, further cleaning can be achieved with warm, soapy water.
Do not use abrasive materials as these will damage the lacquer.
Do not use alcohol or other solvents.

WARRANTY AND AFTER-CARE

This product has a two-year warranty. If there appears to be a functional defect with the product during this time, please contact our team at customerservice@tala.co.uk.

Please note, if the cable attached to this fixture is damaged, it should only be replaced by qualified person.

This symbol  indicates that electrical and electronic equipment (WEEE) should not be mixed with general household waste. For recovery and recycling, please take this product to a designated collection point where it will be accepted free of charge. Many retailers offer this in-store. Disposing of this product correctly will help save valuable resources and prevent any potential negative effects on human health and the environment.

Join the Community

Instagram: @tala | Facebook: talaHQ | Pinterest: TalaLED | Tag: lighttoliveby
Tala Studios, 25B Vyner Street, London E2 9DG | hello@tala.co.uk
Tala Europe B.V, Bertus Aafjeshove 40, Nieuwegein 3437JN, Netherlands