

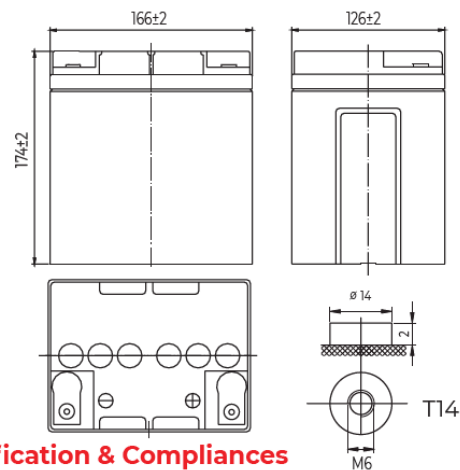
### SPECIFICATION / TECHNICAL SHEET

#### Specifications

Nominal Voltage	12V (6 cells per unit)	
Rated capacity (20 hour rate)	28Ah/10.5V	
Dimensions	Length	166±2mm (7.68inch)
	Width	126±2mm (5.12inch)
	Height	174±2mm (6.10inch)
	Total Height	174 ±2mm
Approx. Weight	8.80kg±4%	

#### Characteristics

Capacity (25°C)	20HR(10.5V)	28Ah
	10HR(10.5V)	26Ah
	3HR(10.5V)	20.4Ah
	1HR(9.6V)	17Ah
Terminal type	T12/T4	
Internal resistance (Fully charged, 25°C)	Approx. 10mΩ	
Capacity affected by temperature (10hr)	40°C	102%
	25°C	100%
	0°C	85%
	-15°C	65%
Self-discharge (25°C)	3month	Remaining capacity: 91%
	6month	Remaining capacity: 82%
	12month	Remaining capacity: 65%
Nominal operating temperature	25°C ± 3°C (77°F ± 5°F)	
Operating temperature range	Discharge	-15°C ~ 50°C (5°F ~ 122°F)
	Charge	-10°C ~ 50°C (14°F ~ 122°F)
	Storage	-20°C ~ 50°C (-4°F ~ 122°F)
Float charging voltage (25°C)	13.50 to 13.80V Temperature compensation: -18mV/°C/Block	
Cyclic charging voltage (25°C)	14.50 to 15.00V Temperature compensation: -30mV/°C/Block	
Maximum charging current	8.4A	
Maximum discharge current	360A (5 sec.)	
Designed floating life (25°C)	5 years	
Battery Container ABS UL94-HB	V-0 On Request	



#### Certification & Compliances



Compliant to: EUROBAT, RoHS, WEEE's and Reach.  
Manufactured according to IEC 60896-21 / 22

#### Applications

- All Purpose
- Standby Applications
- Recreation Vehicles
- Uninterruptible Power Supply (UPS)
- Electric Power System (EPS)
- Fire & Security
- Generators
- Medical Equipment

### SPECIFICATION / TECHNICAL SHEET cont.

#### Construction

Component	Positive plate	Negative plate	Container	Cover	Separator	Electrolyte	Safety valve	Terminal
Raw material	Lead dioxide	Lead	ABS	ABS	AGM	Sulfuric acid	Rubber	Copper

#### Constant Current Discharge Characteristics Unit: A 25°C

F.V/Time	10min	15min	30min	60min	2h	3h	4h	5h	8h	10h	20h
9.60V	105	66.4	51.9	29.2	18.0	10.0	6.94	5.74	4.88	2.65	1.42
9.90V	102	64.4	50.6	28.6	17.7	9.97	6.90	5.71	4.86	2.64	1.42
10.2V	97.5	61.8	48.7	27.8	17.3	9.88	6.85	5.67	4.82	2.63	1.41
10.5V	93.3	59.1	47.1	27.1	16.9	9.74	6.80	5.63	4.79	2.61	1.40
10.8V	88.0	55.8	44.6	26.1	16.4	9.49	6.60	5.46	4.64	2.56	1.37

#### Constant Power Discharge Characteristics Unit: W 25°C

F.V/Time	10min	15min	30min	60min	2h	3h	4h	5h	8h	10h	20h
9.60V	1170	749	591	335	208	117	82.4	68.4	58.3	31.8	17.1
9.90V	1135	727	577	328	205	117	82.0	68.0	58.0	31.7	17.0
10.2V	1088	697	556	318	200	116	81.4	67.5	57.6	31.5	16.9
10.5V	1041	667	537	310	196	114	80.8	67.0	57.2	31.3	16.8
10.8V	983	629	508	299	190	111	78.4	65.0	55.5	30.7	16.5

Note: The above characteristics data can be obtained within three charge or discharge cycles.



For pricing and availability please contact the team  
at SPB on 1300 001 772 or [sales@spb.net.au](mailto:sales@spb.net.au)