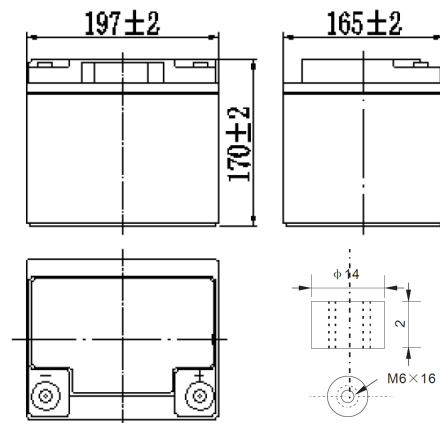


SPECIFICATION / TECHNICAL SHEET

| Specifications | | |
|-------------------------------|--------------|---------|
| Nominal Voltage | 12V | |
| Rated capacity (20 hour rate) | 45Ah | |
| Dimensions | Length | 197±2mm |
| | Width | 165±2mm |
| | Height | 170±2mm |
| | Total Height | 170±2mm |
| Approx. Weight | 13.1kg±3% | |

| Characteristics | | |
|---|-------------|--|
| Capacity (25°C) | 20HR(10.8V) | 45Ah |
| | 10HR(10.8V) | 43Ah |
| Terminal type | | M6 |
| Internal resistance (Fully charged, 25°C) | | Approx. 9m Ω |
| Capacity affected by temperature (10HR) | 40°C | 102% |
| | 25°C | 100% |
| | 0°C | 85% |
| | -15°C | 65% |
| Self-discharge (25°C) | 3month | Remaining Capacity: 91% |
| | 6month | Remaining Capacity: 82% |
| | 12month | Remaining Capacity: 65% |
| Nominal operating temperature | | 25°C±3°C |
| Operating temperature range | Discharge | -15°C - 50°C |
| | Charge | -10°C - 50°C |
| | Storage | -20°C - 50°C |
| Float charging voltage(25°C) | | 13.50 to 13.80V Temperature compensation: -18mV/°C |
| Cyclic charging voltage(25°C) | | 14.4 to 14.7V Temperature compensation: -30mV/°C |
| Maximum charging current | | 13.5A |
| Maximum discharge current | | 400A(5 sec.) |
| Designed floating life(20°C) | | 10years |



Applications

- All Purpose
- Standby Applications
- Recreation Vehicles
- Uninterruptible Power Supply (UPS)
- Electric Power System (EPS)
- Fire & Security
- Generators
- Medical Equipment



SPECIFICATION / TECHNICAL SHEET cont.

Construction

| Component | Positive plate | Negative plate | Container | Cover | Separator | Electrolyte | Safety valve | Terminal |
|--------------|----------------|----------------|-----------|-------|-----------|---------------|--------------|----------|
| Raw material | Lead dioxide | Lead | ABS | ABS | AGM | Sulfuric acid | Rubber | Copper |

Constant Current Discharge Characteristics Unit: A 25°C

| F.V/Time | 10min | 15min | 30min | 60min | 2h | 3h | 4h | 5h | 8h | 10h | 20h |
|----------|-------|-------|-------|-------|------|------|------|------|------|------|------|
| 9.60V | 87.2 | 67.2 | 40.2 | 24.7 | 14.6 | 10.5 | 8.40 | 7.18 | 4.94 | 4.07 | 2.16 |
| 9.90V | 84.6 | 65.6 | 39.4 | 24.3 | 14.5 | 10.5 | 8.36 | 7.14 | 4.91 | 4.06 | 2.15 |
| 10.2V | 81.1 | 63.2 | 38.2 | 23.7 | 14.4 | 10.4 | 8.30 | 7.09 | 4.87 | 4.05 | 2.15 |
| 10.5V | 77.6 | 61.0 | 37.3 | 23.0 | 14.2 | 10.3 | 8.24 | 7.04 | 4.84 | 4.03 | 2.13 |
| 10.8V | 73.2 | 57.8 | 35.9 | 22.2 | 13.8 | 10.0 | 7.99 | 6.83 | 4.69 | 4.00 | 2.12 |

Constant Power Discharge Characteristics Unit: W 25°C

| F.V/Time | 10min | 15min | 30min | 60min | 2h | 3h | 4h | 5h | 8h | 10h | 20h |
|----------|-------|-------|-------|-------|-----|-----|------|------|------|------|------|
| 9.60V | 942 | 738 | 451 | 282 | 169 | 124 | 98.8 | 84.9 | 58.6 | 48.6 | 25.9 |
| 9.90V | 914 | 720 | 442 | 278 | 168 | 123 | 98.3 | 84.4 | 58.3 | 48.5 | 25.8 |
| 10.2V | 876 | 694 | 428 | 271 | 167 | 122 | 97.6 | 83.8 | 57.9 | 48.4 | 25.8 |
| 10.5V | 838 | 670 | 418 | 262 | 164 | 121 | 96.9 | 83.2 | 57.5 | 48.1 | 25.6 |
| 10.8V | 791 | 635 | 403 | 254 | 160 | 118 | 94.0 | 80.7 | 55.8 | 47.8 | 25.4 |

Note: The above characteristics data can be obtained within three charge or discharge cycles.



**For pricing and availability please contact the team
at SPB on 1300 001 772 or sales@spb.net.au**