

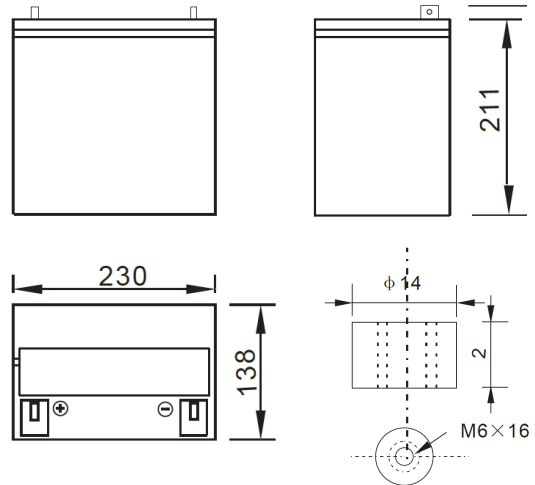
SPECIFICATION / TECHNICAL SHEET

Specifications

Nominal Voltage	12V	
Rated capacity (20 hour rate)	58.4Ah	
Dimensions	Length	230±2mm
	Width	138±2mm
	Height	211±2mm
	Total Height	215±2mm
Approx. Weight	17.3kg±3%	

Characteristics

Capacity (25°C)	20HR(10.8V)	58.4Ah
	10HR(10.8V)	55.0Ah
	1HR(10.5V)	30.5Ah
Terminal type	M6	
Internal resistance (Fully charged, 25°C)	Approx. 6.5m Ω	
Capacity affected by temperature (10HR)	40°C	102%
	25°C	100%
	0°C	85%
Self-discharge (25°C)	-15°C	65%
	3month	Remaining Capacity: 91%
	6month	Remaining Capacity: 82%
Nominal operating temperature	12month	Remaining Capacity: 65%
	25°C±3°C	
Operating temperature range	Discharge	-15°C - 50°C
	Charge	-10°C - 50°C
	Storage	-20°C - 50°C
Float charging voltage (25°C)	13.50 to 13.80V Temperature compensation: -18mV/°C	
Cyclic charging voltage (25°C)	14.50 to 15.00V Temperature compensation: -30mV/°C	
Maximum charging current	16.5A	
Maximum discharge current	550A(5 sec.)	
Designed floating life (20°C)	10years	



Applications

- All Purpose
- Standby Applications
- Recreation Vehicles
- Uninterruptible Power Supply (UPS)
- Electric Power System (EPS)
- Fire & Security
- Generators
- Medical Equipment



SPECIFICATION / TECHNICAL SHEET cont.

Construction

Component	Positive plate	Negative plate	Container	Cover	Separator	Electrolyte	Safety valve	Terminal
Raw material	Lead dioxide	Lead	ABS	ABS	AGM	Sulfuric acid	Rubber	Copper

Constant Current Discharge Characteristics Unit: A 25°C

F.V/Time	10min	15min	30min	60min	2h	3h	4h	5h	8h	10h	20h
9.60V	120	92.4	55.3	34.0	20.1	14.5	11.6	9.87	6.79	5.60	2.97
9.90V	116	90.2	54.2	33.5	20.0	14.4	11.5	9.82	6.75	5.59	2.96
10.2V	112	86.9	52.5	32.6	19.8	14.3	11.4	9.75	6.70	5.57	2.95
10.5V	107	83.9	51.2	31.6	19.5	14.2	11.3	9.68	6.66	5.54	2.94
10.8V	101	79.5	49.4	30.6	19.0	13.8	11.0	9.39	6.46	5.50	2.92

Constant Power Discharge Characteristics Unit: W 25°C

F.V/Time	10min	15min	30min	60min	2h	3h	4h	5h	8h	10h	20h
9.60V	1295	1015	620	387	233	170	136	117	80.6	66.9	35.6
9.90V	1256	990	608	382	231	169	135	116	80.2	66.7	35.5
10.2V	1204	954	589	372	229	168	134	115	79.6	66.5	35.4
10.5V	1152	921	575	360	226	167	133	114	79.1	66.1	35.2
10.8V	1088	873	554	349	220	162	129	111	76.7	65.7	35.0

Note: The above characteristics data can be obtained within three charge or discharge cycles.



For pricing and availability please contact the team
at SPB on 1300 001 772 or sales@spb.net.au