

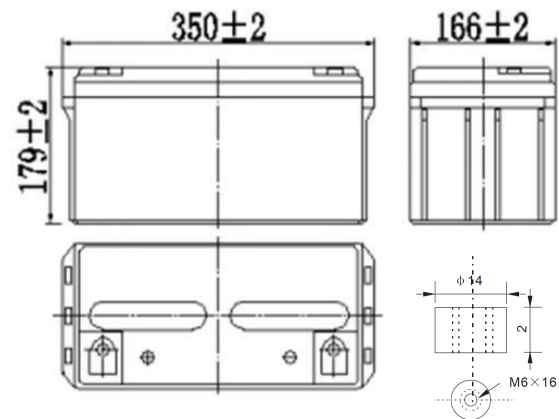
### SPECIFICATION / TECHNICAL SHEET

#### Specifications

Nominal Voltage	12V (6 cells per unit)	
Rated capacity (20 hour rate)	72Ah/10.8V	
Dimensions	Length	350±2mm
	Width	166±2mm
	Height	179±2mm
	Total Height	179±2mm
Approx. Weight	21.00kg±3%	

#### Characteristics

Capacity (25°C)	20HR(10.8V)	72Ah
	10HR(10.8V)	65Ah
	1HR(10.5V)	37Ah
Terminal type	M6	
Internal resistance (Fully charged, 25°C)	Approx. 6.5mΩ	
Capacity affected by temperature (10HR)	40°C	102%
	25°C	100%
	0°C	85%
Self-discharge (25°C)	3month	Remaining capacity: 91%
	6month	Remaining capacity: 82%
	12month	Remaining capacity: 65%
Nominal operating temperature	25°C± 3°C (77°F± 5°F)	
Operating temperature range	Discharge	- 15°C - 50°C (5°F - 122°F)
	Charge	- 10°C - 50°C (14°F - 122°F)
	Storage	- 20°C - 50°C (-4°F - 122°F)
Float charging voltage(25°C)	13.50 to 13.80V Temperature compensation: -18mV/°C/Block	
Cyclic charging voltage(25°C)	14.40 to 14.70V Temperature compensation: -30mV/°C/Block	
Maximum charging current	19.5A	
Maximum discharge current	650A (5 sec.)	
Designed floating life(20°C)	10 years for floating (25°C) Eurobat (20°C): 6-9 years, general purpose.	



#### Applications

- All Purpose
- Standby Applications
- Recreation Vehicles
- Uninterruptible Power Supply (UPS)
- Electric Power System (EPS)
- Fire & Security
- Generators
- Medical Equipment



### SPECIFICATION / TECHNICAL SHEET cont.

#### Construction

Component	Positive plate	Negative plate	Container	Cover	Separator	Electrolyte	Safety valve	Terminal
Raw material	Lead dioxide	Lead	ABS	ABS	AGM	Sulfuric acid	Rubber	Copper

#### Constant Current Discharge Characteristics Unit: A 25°C

F.V/Time	10min	15min	30min	60min	2h	3h	4h	5h	8h	10h	20h
9.60V	148	114	68.3	42.0	24.8	17.9	14.3	12.2	8.39	6.92	3.67
9.90V	144	111	67.0	41.4	24.7	17.8	14.2	12.1	8.34	6.91	3.66
10.2V	138	107	64.9	40.3	24.5	17.7	14.1	12.1	8.29	6.89	3.65
10.5V	132	104	63.4	39.1	24.1	17.5	14.0	12.0	8.23	6.85	3.63
10.8V	125	98.2	61.0	37.8	23.5	17.0	13.6	11.6	7.98	6.80	3.60

#### Constant Power Discharge Characteristics Unit: W 25°C

F.V/Time	10min	15min	30min	60min	2h	3h	4h	5h	8h	10h	20h
9.60V	1601	1254	767	479	288	210	168	144	99.7	82.7	44.0
9.90V	1553	1224	751	472	286	209	167	143	99.1	82.5	43.9
10.2V	1489	1179	728	460	283	208	166	142	98.4	82.2	43.8
10.5V	1425	1139	711	446	279	206	165	141	97.7	81.8	43.6
10.8V	1345	1079	685	431	272	200	160	137	94.8	81.2	43.2

Note: The above characteristics data can be obtained within three charge or discharge cycles.



For pricing and availability please contact the team  
at SPB on 1300 001 772 or [sales@spb.net.au](mailto:sales@spb.net.au)