

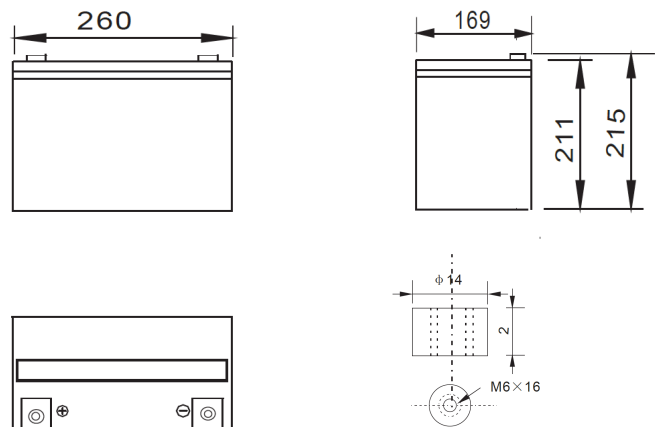
### SPECIFICATION / TECHNICAL SHEET

#### Specifications

Nominal Voltage	12V	
Rated capacity (20 hour rate) / CCA	80Ah / 520CCA	
Dimensions	Length	260±2mm
	Width	168±2mm
	Height	211±2mm
	Total Height	215±2mm
Approx. Weight	23.5kg±3%	

#### Characteristics

Capacity (25°C)	20HR(10.8V)	80Ah
	10HR(10.8V)	75.0Ah
	1HR(10.5V)	41.5Ah
Terminal type		M6
Internal resistance (Fully charged, 25°C)		Approx. 6mΩ
Capacity affected by temperature (10HR)	40°C	102%
	25°C	100%
	0°C	85%
Self-discharge (25°C)	15°C	65%
	3month	Remaining Capacity: 91%
	6month	Remaining Capacity: 82%
Nominal operating temperature	12month	Remaining Capacity: 65%
		25°C±3°C
Operating temperature range	Discharge	-15°C - 50°C
	Charge	-10°C - 50°C
	Storage	-20°C - 50°C
Float charging voltage (25°C)		13.50 to 13.80V Temperature compensation: -18mV/°C
Cyclic charging voltage (25°C)		14.50 to 15.00V Temperature compensation: -30mV/°C
Maximum charging current		22.5A
Maximum discharge current		700A(5 sec.)
Designed floating life (20°C)		10years



#### Applications

- All Purpose
- Standby Applications
- Recreation Vehicles
- Uninterruptible Power Supply (UPS)
- Electric Power System (EPS)
- Fire & Security
- Generators
- Medical Equipment



### SPECIFICATION / TECHNICAL SHEET cont.

#### Construction

Component	Positive plate	Negative plate	Container	Cover	Separator	Electrolyte	Safety valve	Terminal
Raw material	Lead dioxide	Lead	ABS	ABS	AGM	Sulfuric acid	Rubber	Copper

#### Constant Current Discharge Characteristics Unit: A 25°C

F.V/Time	10min	15min	30min	60min	2h	3h	4h	5h	8h	10h	20h
9.60V	164	126	75.4	46.4	27.4	19.7	15.8	13.5	9.26	7.64	4.05
9.90V	159	123	73.9	45.7	27.2	19.6	15.7	13.4	9.20	7.62	4.04
10.2V	152	118	71.6	44.5	27.0	19.5	15.6	13.3	9.14	7.60	4.03
10.5V	146	114	69.9	43.1	26.6	19.4	15.5	13.2	9.08	7.55	4.00
10.8V	137	108	67.3	41.7	25.9	18.8	15.0	12.8	8.80	7.50	3.98

#### Constant Power Discharge Characteristics Unit: W 25°C

F.V/Time	10min	15min	30min	60min	2h	3h	4h	5h	8h	10h	20h
9.60V	1766	1383	846	528	317	232	185	159	110	91.2	48.6
9.90V	1713	1350	829	520	315	231	184	158	109	91.0	48.5
10.2V	1642	1300	803	507	313	229	183	157	109	90.7	48.3
10.5V	1572	1256	784	491	308	228	182	156	108	90.2	48.0
10.8V	1483	1190	755	476	300	221	176	151	105	89.6	47.7

Note: The above characteristics data can be obtained within three charge or discharge cycles.



For pricing and availability please contact the team  
at SPB on 1300 001 772 or [sales@spb.net.au](mailto:sales@spb.net.au)