

Dell PowerEdge R760xa

Installation and Service Manual

Notes, cautions, and warnings

 **NOTE:** A NOTE indicates important information that helps you make better use of your product.

 **CAUTION:** A CAUTION indicates either potential damage to hardware or loss of data and tells you how to avoid the problem.

 **WARNING:** A WARNING indicates a potential for property damage, personal injury, or death.

| | |
|--|-----------|
| Chapter 1: About this document | 8 |
| Chapter 2: DellPowerEdge R760xa system overview | 9 |
| Front view of the system..... | 9 |
| Left control panel view..... | 12 |
| Right control panel view..... | 13 |
| Rear view of the system..... | 14 |
| Inside the system..... | 16 |
| Locating the Express Service Code and Service Tag..... | 17 |
| System information labels..... | 17 |
| Rail sizing and rack compatibility matrix..... | 20 |
| Chapter 3: Technical specifications | 21 |
| Chassis dimensions | 22 |
| System weight..... | 22 |
| Processor specifications..... | 23 |
| PSU specifications..... | 23 |
| Supported operating systems..... | 23 |
| Cooling fan specifications..... | 24 |
| System battery specifications..... | 24 |
| Expansion card riser specifications..... | 24 |
| Memory specifications..... | 25 |
| Storage controller specifications..... | 26 |
| Drives..... | 26 |
| Ports and connectors specifications..... | 27 |
| USB ports specifications..... | 27 |
| NIC port specifications..... | 27 |
| Serial connector specifications..... | 27 |
| VGA ports specifications..... | 27 |
| Video specifications..... | 28 |
| Environmental specifications..... | 28 |
| Thermal air restrictions..... | 29 |
| Liquid cooling restrictions..... | 30 |
| Thermal restriction matrix..... | 30 |
| Chapter 4: Initial system setup and configuration | 32 |
| Setting up the system..... | 32 |
| iDRAC configuration..... | 32 |
| Options to set up iDRAC IP address..... | 32 |
| Options to log in to iDRAC..... | 33 |
| Resources to install operating system..... | 34 |
| Options to download drivers and firmware | 34 |
| Options to download and install OS drivers | 35 |
| Downloading drivers and firmware..... | 35 |

| | |
|---|-----------|
| Chapter 5: Pre-operating system management applications..... | 36 |
| System Setup..... | 36 |
| System BIOS..... | 37 |
| iDRAC Settings..... | 56 |
| Device Settings..... | 57 |
| Service Tag Settings..... | 57 |
| Dell Lifecycle Controller..... | 57 |
| Embedded system management..... | 57 |
| Boot Manager..... | 57 |
| PXE boot..... | 57 |
| | |
| Chapter 6: Minimum to POST | 58 |
| Minimum configuration to POST | 58 |
| Configuration validation..... | 58 |
| Error messages..... | 59 |
| | |
| Chapter 7: Installing and removing system components | 60 |
| Safety instructions..... | 60 |
| Before working inside your system | 61 |
| After working inside your system..... | 61 |
| Recommended tools..... | 61 |
| Optional front bezel..... | 62 |
| Removing the front bezel..... | 62 |
| Installing the front bezel..... | 62 |
| System cover..... | 63 |
| Removing the system cover..... | 63 |
| Installing the system cover..... | 64 |
| Drive backplane cover..... | 65 |
| Removing the drive backplane cover..... | 65 |
| Installing the drive backplane cover..... | 66 |
| Air shroud..... | 68 |
| Removing the air shroud..... | 68 |
| Installing the air shroud..... | 69 |
| Cooling fans..... | 71 |
| Removing the cooling fan cage assembly | 71 |
| Installing the cooling fan cage assembly..... | 71 |
| Removing a cooling fan..... | 72 |
| Installing a cooling fan..... | 73 |
| Side wall brackets..... | 74 |
| Removing the side wall bracket..... | 74 |
| Installing the side wall bracket..... | 75 |
| Drives..... | 76 |
| Removing a drive blank..... | 76 |
| Removing an E3.S drive blank..... | 77 |
| Installing a drive blank..... | 78 |
| Installing an E3.S drive blank..... | 78 |
| Removing the drive carrier..... | 79 |
| Removing the E3.S drive carrier..... | 79 |

| | |
|---|-----|
| Installing the drive carrier..... | 80 |
| Installing the E3.S drive carrier..... | 81 |
| Removing the drive from the drive carrier..... | 82 |
| Removing the E3.S drive from the drive carrier..... | 83 |
| Installing the drive into the drive carrier..... | 84 |
| Installing the E3.S drive into the drive carrier..... | 85 |
| Removing a NVMe drive blank..... | 86 |
| Installing a NVMe drive blank..... | 87 |
| PERC module..... | 88 |
| Removing the rear mounting front PERC module..... | 88 |
| Installing the rear mounting front PERC module..... | 89 |
| Drive backplane..... | 90 |
| Drive backplane..... | 90 |
| Removing the drive backplane | 92 |
| Installing the drive backplane..... | 94 |
| Cable routing..... | 96 |
| System memory..... | 105 |
| System memory guidelines..... | 105 |
| General memory module installation guidelines..... | 107 |
| Removing a memory module..... | 108 |
| Installing a memory module..... | 109 |
| Processor and heat sink module..... | 110 |
| Removing the processor and heat sink module..... | 110 |
| Removing the processor..... | 112 |
| Installing the processor..... | 114 |
| Installing the processor and heat sink module..... | 117 |
| Removing the liquid cooling module..... | 119 |
| Installing the liquid cooling module..... | 121 |
| Expansion cards and expansion card risers..... | 122 |
| Expansion card installation guidelines..... | 123 |
| Removing the expansion card risers..... | 130 |
| Installing the expansion card risers..... | 134 |
| Removing expansion card from the expansion card riser..... | 136 |
| Installing an expansion card into the expansion card riser..... | 138 |
| Removing the GPU riser module..... | 140 |
| Installing the GPU riser module..... | 142 |
| Removing the GPU..... | 143 |
| Installing the GPU..... | 145 |
| Removing the sponges..... | 147 |
| Installing the sponges..... | 148 |
| Removing the Bridge Cards..... | 149 |
| Installing the Bridge Cards..... | 150 |
| Removing the GPU riser module card holders..... | 152 |
| Installing the GPU riser module card holders..... | 152 |
| Optional serial COM port..... | 153 |
| Removing the serial COM port..... | 153 |
| Installing the serial COM port..... | 154 |
| Optional VGA port for liquid cooling module..... | 155 |
| Removing the VGA port..... | 155 |
| Installing the VGA port..... | 156 |

| | |
|---|------------|
| Optional BOSS-N1 module..... | 157 |
| Removing the BOSS-N1 module blank..... | 157 |
| Installing the BOSS-N1 module blank..... | 158 |
| Removing the BOSS-N1 card carrier blank..... | 159 |
| Installing the BOSS-N1 card carrier blank..... | 160 |
| Removing the BOSS-N1 module..... | 161 |
| Installing the BOSS-N1 module..... | 164 |
| Removing the BOSS-N1 shroud..... | 166 |
| Installing the BOSS-N1 shroud..... | 167 |
| System battery | 168 |
| Replacing the system battery..... | 168 |
| Optional internal USB card..... | 170 |
| Removing the internal USB card..... | 170 |
| Installing the internal USB card..... | 171 |
| Intrusion switch..... | 172 |
| Removing the intrusion switch module..... | 172 |
| Installing the intrusion switch module..... | 172 |
| Optional OCP card..... | 173 |
| Removing the OCP card..... | 173 |
| Installing the OCP card..... | 174 |
| Power supply unit..... | 176 |
| Hot spare feature..... | 176 |
| Removing a power supply unit blank..... | 177 |
| Installing a power supply unit blank..... | 177 |
| Removing a power supply unit..... | 178 |
| Installing a power supply unit..... | 178 |
| Trusted Platform Module..... | 179 |
| Upgrading the Trusted Platform Module..... | 179 |
| Initializing TPM for users..... | 180 |
| Initializing the TPM 1.2 for users..... | 180 |
| Initializing the TPM 2.0 for users..... | 181 |
| System board..... | 181 |
| Removing the system board..... | 181 |
| Installing the system board..... | 182 |
| Restoring the system using Easy Restore..... | 184 |
| LOM card and rear I/O board..... | 184 |
| Removing the LOM card and rear I/O board..... | 184 |
| Installing the LOM card and rear I/O board..... | 186 |
| Control panel..... | 188 |
| Removing the right control panel..... | 188 |
| Installing the right control panel..... | 189 |
| Removing the left control panel..... | 190 |
| Installing the left control panel..... | 191 |
| Chapter 8: Upgrade Kits..... | 193 |
| BOSS-N1 module kit..... | 193 |
| GPU kit..... | 196 |
| Internal USB card kit..... | 198 |
| Serial COM port kit..... | 198 |
| VGA port kit..... | 198 |

| | |
|--|------------|
| Chapter 9: Jumpers and connectors..... | 199 |
| System board jumpers and connectors..... | 200 |
| System board jumper settings..... | 202 |
| Disabling a forgotten password..... | 202 |
| | |
| Chapter 10: System diagnostics and indicator codes..... | 204 |
| Status LED indicators..... | 204 |
| System health and system ID indicator codes..... | 206 |
| iDRAC Quick Sync 2 indicator codes..... | 207 |
| iDRAC Direct LED indicator codes..... | 207 |
| LCD panel..... | 208 |
| Viewing Home screen..... | 208 |
| Setup menu..... | 209 |
| View menu..... | 209 |
| NIC indicator codes..... | 210 |
| Power supply unit indicator codes..... | 210 |
| Drive indicator codes..... | 212 |
| Using system diagnostics..... | 213 |
| Dell Embedded System Diagnostics..... | 213 |
| | |
| Chapter 11: Getting help..... | 215 |
| Recycling or End-of-Life service information..... | 215 |
| Contacting Dell Technologies..... | 215 |
| Accessing system information by using QRL..... | 215 |
| Quick Resource Locator for PowerEdge R760xa system..... | 216 |
| Receiving automated support with Secure Connect Gateway (SCG)..... | 216 |
| | |
| Chapter 12: Documentation resources..... | 217 |

About this document

This document provides an overview about the system, information about installing and replacing components, diagnostic tools, and guidelines to be followed while installing certain components.

DellPowerEdge R760xa system overview

The PowerEdge R760xa system is a 2U server that supports:

- Two 4th Generation Intel Xeon Scalable processors with up to 56 cores
- 32 DIMM slots
- Two redundant AC or DC power supply units
- Up to 6 x 2.5-inch NVMe (SSD) drives
- Up to 8 x 2.5-inch SAS/SATA/NVMe (SSD) drives
- Up to 6 x E3.S NVMe (SSD) drives

NOTE: For more information about how to hot swap NVMe PCIe SSD U.2 device, see the *Dell Express Flash NVMe PCIe SSD User's Guide* at <https://www.dell.com/support> > **Browse all products** > **Infrastructure** > **Data Center Infrastructure** > **Storage Adapters & Controllers** > **Dell PowerEdge Express Flash NVMe PCIe SSD** > **Select This Product** > **Documentation** > **Manuals and Documents**.

NOTE: All instances of SAS, SATA, NVMe drives are referred to as drives in this document, unless specified otherwise.

CAUTION: Do not install GPUs, network cards, or other PCIe devices on your system that are not validated and tested by Dell. Damage caused by unauthorized and invalidated hardware installation will null and void the system warranty.

Topics:

- [Front view of the system](#)
- [Rear view of the system](#)
- [Inside the system](#)
- [Locating the Express Service Code and Service Tag](#)
- [System information labels](#)
- [Rail sizing and rack compatibility matrix](#)

Front view of the system

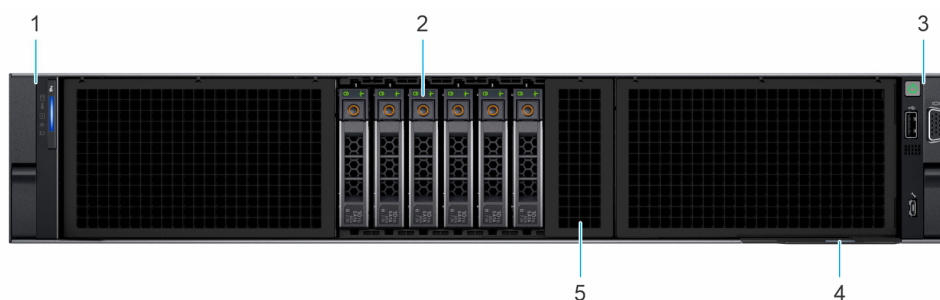


Figure 1. Front view of 6 x 2.5-inch drive system

Table 1. Features available on the front of the system

| Item | Ports, panels, and slots | Icon | Description |
|------|--------------------------|------|--|
| 1 | Left control panel | N/A | Contains the system health, system ID, and the status LED indicator. |
| 2 | Drives | N/A | Enables you to install drives that are supported on your system. |

Table 1. Features available on the front of the system (continued)

| Item | Ports, panels, and slots | Icon | Description |
|------|--------------------------|------|--|
| | | | NOTE: For drive slot numbers, see the System information labels section. |
| 3 | Right control panel | N/A | Contains the power button, VGA port, USB port, iDRAC Direct (Micro-AB USB) port, and the iDRAC Direct status LED. |
| 4 | Information Tag | N/A | The Information Tag is a slide-out label panel that contains system information such as Service Tag, NIC, MAC address, and so on. If you have opted for the secure default access to iDRAC, the Information tag will also contain the iDRAC secure default password. |
| 5 | Drive blank | N/A | Drive blank for drive direct attached configuration. |

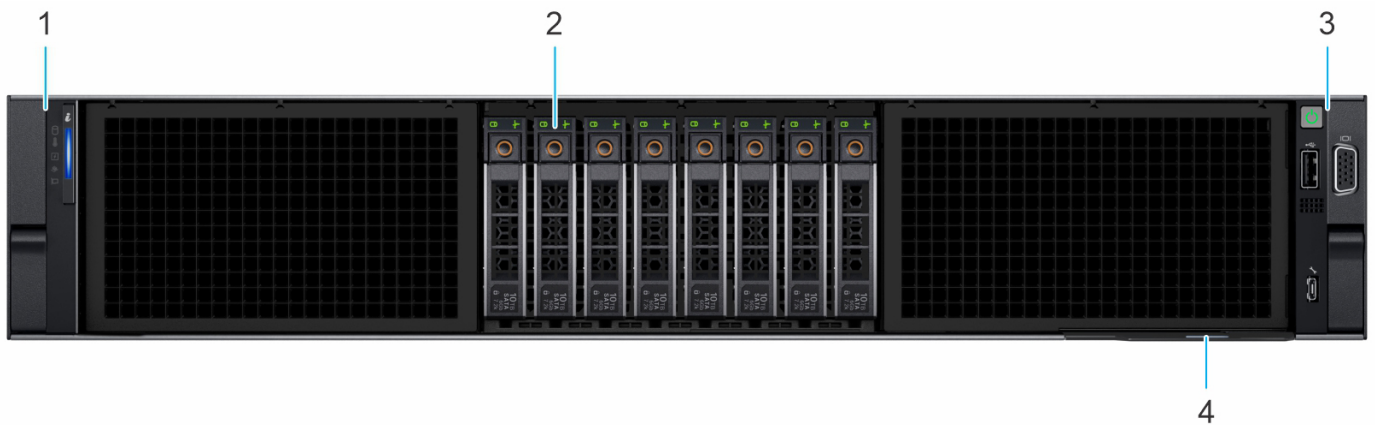


Figure 2. Front view of 8 x 2.5-inch drives system

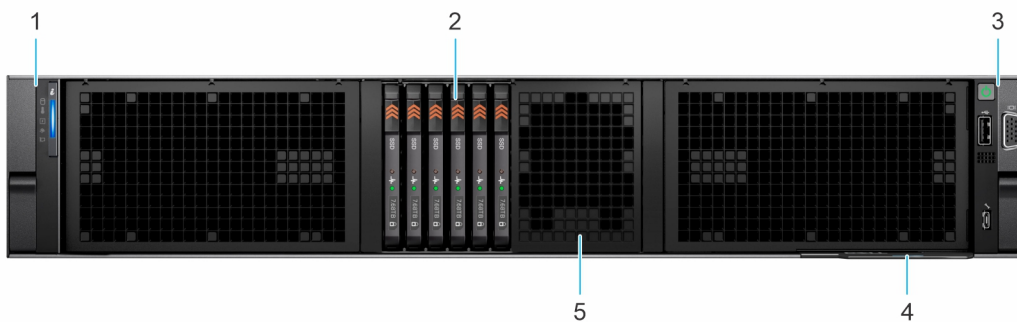


Figure 3. Front view of 6 x E3.S drives system

Table 2. Features available on the front of the system

| Item | Ports, panels, and slots | Icon | Description |
|------|--------------------------|------|--|
| 1 | Left control panel | N/A | Contains the system health, system ID, and the status LED indicator. |
| 2 | Drives | N/A | Enables you to install drives that are supported on your system. <i>i</i> NOTE: For drive slot numbers, see the System information labels section. |
| 3 | Right control panel | N/A | Contains the power button, VGA port, USB port, iDRAC Direct (Micro-AB USB) port, and the iDRAC Direct status LED. |
| 4 | Information Tag | N/A | The Information Tag is a slide-out label panel that contains system information such as Service Tag, NIC, MAC address, and so on. If you have opted for the secure default access to iDRAC, the Information tag will also contain the iDRAC secure default password. |
| 5 | Drive blank | N/A | Drive blank for drive direct attached configuration. |

NOTE: For more information about the ports, see the [Technical specifications](#) section.

Left control panel view

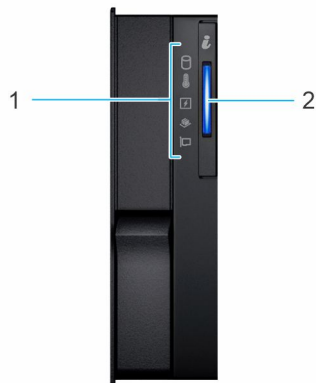


Figure 4. Left control panel

Table 3. Left control panel

| Item | Indicator, button, or connector | Icon | Description |
|------|---------------------------------------|----------|--|
| 1 | Status LED indicators | N/A | Indicates the status of the system. For more information, see the Status LED indicators section. |
| 2 | System health and system ID indicator | <i>i</i> | Indicates the status of the system. For more information, see the System health and system ID indicator codes section. |

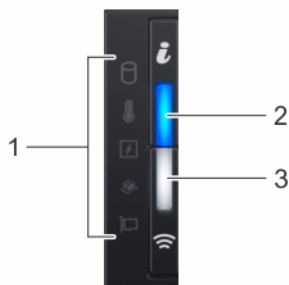


Figure 5. Left control panel with optional iDRAC Quick Sync 2 indicator

Table 4. Left control panel with optional iDRAC Quick Sync 2 indicator

| Item | Indicator, button, or connector | Icon | Description |
|------|--|----------|---|
| 1 | Status LED indicators | N/A | Indicates the status of the system. For more information, see the Status LED indicators section. |
| 2 | System health and system ID indicator | <i>i</i> | Indicates the system health. For more information, see the System health and system ID indicator codes section. |
| 3 | iDRAC Quick Sync 2 wireless indicator (optional) | ⊞ | Indicates if the iDRAC Quick Sync 2 wireless option is activated. The Quick Sync 2 feature allows management of the system using mobile devices. This feature aggregates hardware/firmware inventory and various system level diagnostic/error information that can be used in troubleshooting the system. You can access system inventory, Dell Lifecycle Controller logs or system logs, system health status, and also configure iDRAC, BIOS, and networking parameters. You can also launch the virtual |

Table 4. Left control panel with optional iDRAC Quick Sync 2 indicator (continued)

| Item | Indicator, button, or connector | Icon | Description |
|------|---------------------------------|------|---|
| | | | Keyboard, Video, and Mouse (KVM) viewer and virtual Kernel-based Virtual Machine (KVM), on a supported mobile device. For more information, see the Integrated Dell Remote Access Controller User's Guide at www.dell.com/poweredgemanuals . |

NOTE: For more information about the indicator codes, see the [System diagnostics and indicator codes](#) section.

Right control panel view

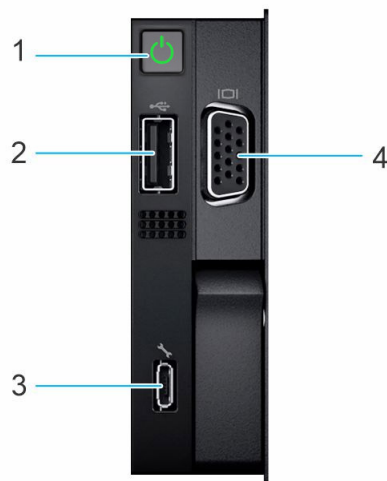


Figure 6. Right control panel

Table 5. Right control panel

| Item | Indicator or button | Icon | Description |
|------|----------------------------------|------|--|
| 1 | Power button | | Indicates if the system is powered on or off. Press the power button to manually power on or off the system. NOTE: Press the power button to gracefully shut down an ACPI-compliant operating system. |
| 2 | USB 2.0 port | | The USB port is 4-pin, 2.0-compliant. This port enables you to connect USB devices to the system. |
| 3 | iDRAC Direct (Micro-AB USB) port | | The iDRAC Direct (Micro-AB USB) port enables you to access the iDRAC direct Micro-AB USB features. For more information, see the <i>Integrated Dell Remote Access Controller User's Guide</i> at www.dell.com/poweredgemanuals . NOTE: You can configure iDRAC Direct by using a USB to micro USB (type AB) cable, which you can connect to your laptop or tablet. Cable length should not exceed 3 feet (0.91 meters). Performance could be affected by cable quality. |
| 4 | VGA port | | Enables you to connect a display device to the system. |

NOTE: For more information about the ports, see the [Technical Specifications](#) section.

Rear view of the system

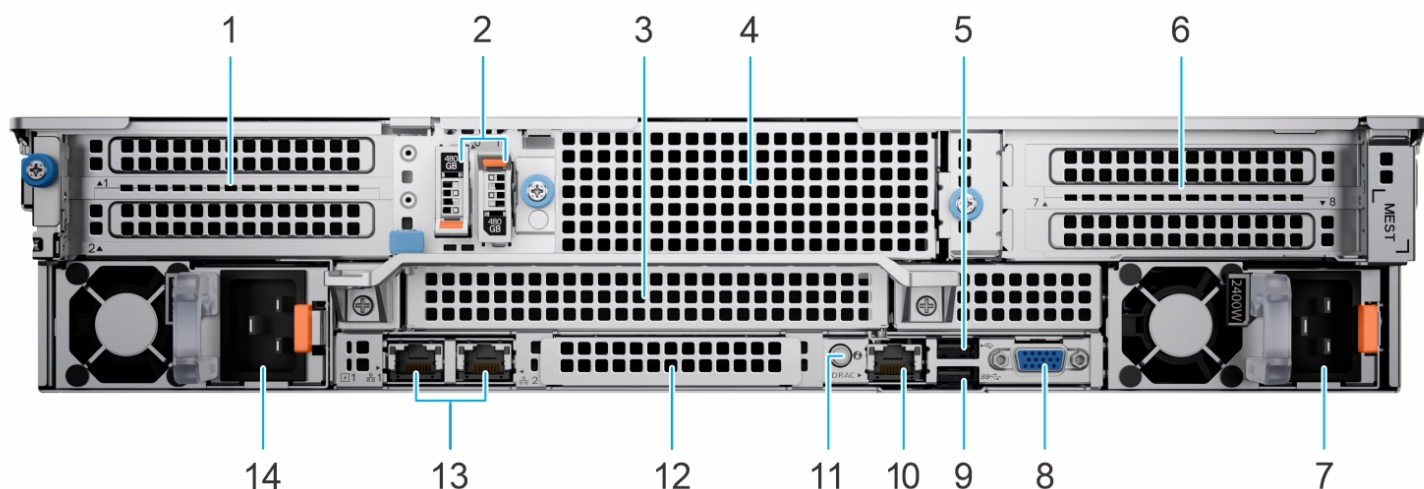


Figure 7. Rear view of the system

Table 6. Rear view of the system


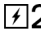

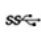





| Item | Ports, panels, or slots | Icon | Description |
|------|---|---|--|
| 1 | PCIe expansion card riser 1 (slot 1 and slot 2) | N/A | The expansion card riser enables you to connect PCI Express expansion cards. For more information, see Expansion card installation guidelines section. |
| 2 | BOSS-N1 (optional) | N/A | BOSS-N1 (optional) for internal system boot. |
| 3 | PCIe expansion card riser 2 blank | N/A | The expansion card riser blank is required to ensure proper system cooling. For more information, see Expansion card installation guidelines section. |
| 4 | PCIe expansion card riser 3 blank | N/A | The expansion card riser blank is required to ensure proper system cooling. For more information, see Expansion card installation guidelines section. |
| 5 | USB 2.0 port |  | The USB port is 4-pin, 2.0-compliant. This port enables you to connect USB devices to the system. |
| 6 | PCIe expansion card riser 4 (slot 7 and slot 8) | N/A | The expansion card riser enables you to connect PCI Express expansion cards. For more information, see Expansion card installation guidelines section. |
| 7 | Power supply unit (PSU2) |  | PSU2 is the secondary PSU of the system. |
| 8 | VGA port |  | Enables you to connect a display device to the system. |
| 9 | USB 3.0 port |  | The USB port is 9-pin and 3.0-compliant. This port enables you to connect USB devices to the system. |
| 10 | Dedicated iDRAC9 Ethernet port | iDRAC | Enables you to remotely access iDRAC. For more information, see the <i>Integrated Dell Remote Access Controller User's Guide</i> at www.dell.com/poweredgemanuals . |
| 11 | System Identification (ID) button |  | The System Identification (ID) button is available on the front and back of the system. Press the button to identify a system in a rack by turning on the system ID button. You can also use the system ID button to reset iDRAC and to access BIOS using the step through mode. When pressed, the system ID LED in the back panel blinks until either the front or rear button is pressed again. Press the button to toggle between on or off mode. |

Table 6. Rear view of the system (continued)

| Item | Ports, panels, or slots | Icon | Description |
|------|--------------------------|---|--|
| | | | <p> NOTE: If the server stops responding during POST, press and hold the System ID button for more than five seconds to enter the BIOS progress mode</p> <p> NOTE: To reset the iDRAC (if not disabled on the iDRAC setup page by pressing F2 during system boot), press and hold the System ID button for more than 15 seconds.</p> |
| 12 | OCP NIC card blank | N/A | The optional OCP NIC card supports OCP 3.0. The NIC ports are integrated on the OCP card which is connected to the system board. |
| 13 | NIC ports (optional) |  | The NIC ports that are integrated on the LOM card provide network connectivity which is connected to the system board. |
| 14 | Power supply unit (PSU1) |  1 | PSU1 is the primary PSU of the system. |

 **NOTE:** For more information about the ports, see the [Technical Specifications](#) section.

Inside the system

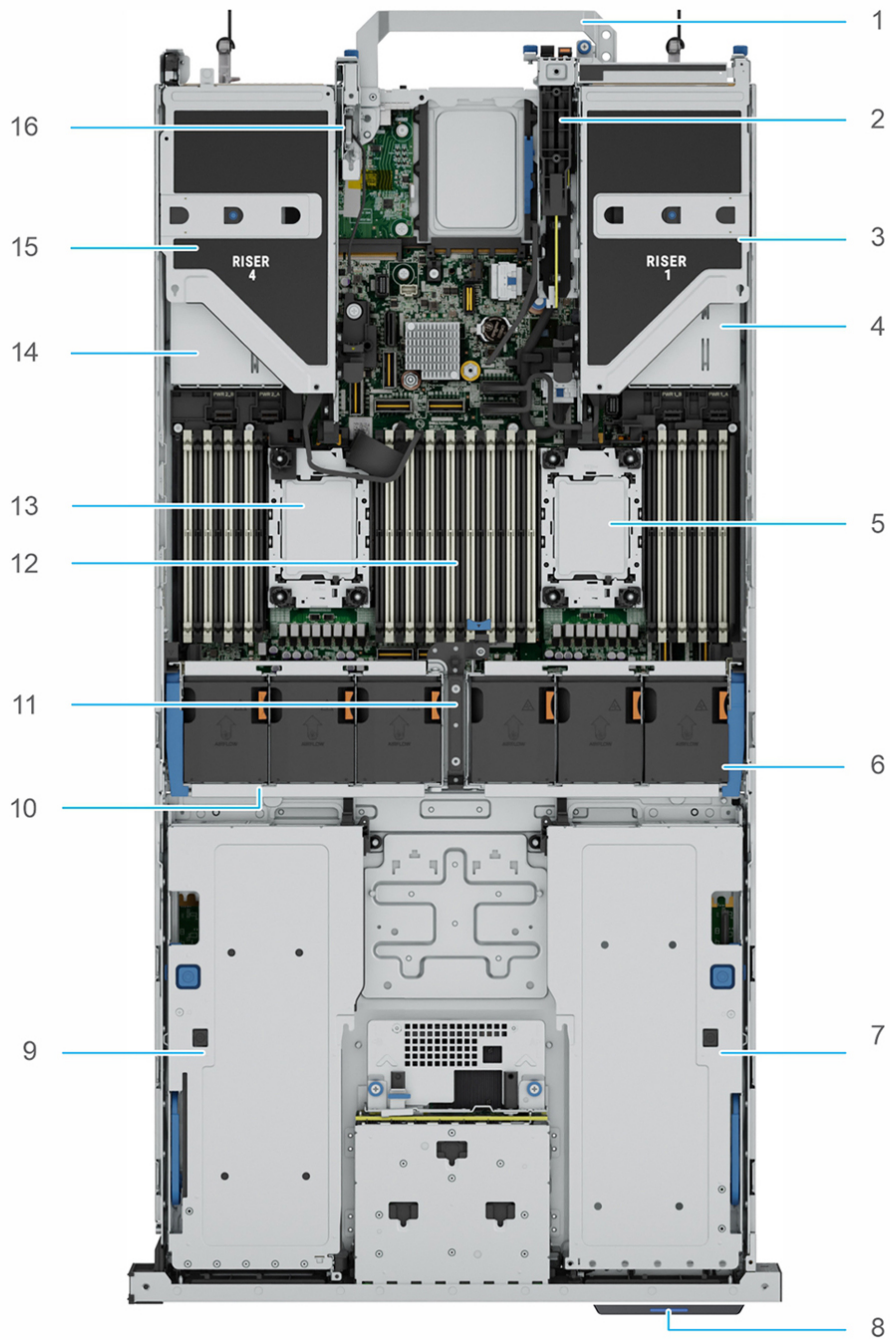


Figure 8. Inside the system

1. Handle

2. BOSS-N1 module (optional)

- 3. Riser 1
- 5. Processor 1 slot
- 7. GPU Riser module right
- 9. GPU Riser module left
- 11. Cable access latch
- 13. Processor 2 slot
- 15. Riser 4
- 4. Power supply unit (PSU1)
- 6. Cooling fans
- 8. Information tag
- 10. Cooling fan cage assembly
- 12. Memory DIMM sockets
- 14. Power supply unit (PSU2)
- 16. Intrusion switch module

Locating the Express Service Code and Service Tag

The unique Express Service Code and Service Tag are used to identify the system.

The Information tag is located on the front of the system that includes system information such as the Service Tag, Express Service Code, Manufacture date, NIC, MAC address, QRL label, and so on. If you have opted for the secure default access to iDRAC, the Information tag also contains the iDRAC secure default password. If you have opted for iDRAC Quick Sync 2, the Information tag also contains the OpenManage Mobile (OMM) label, where administrators can configure, monitor, and troubleshoot the PowerEdge servers.

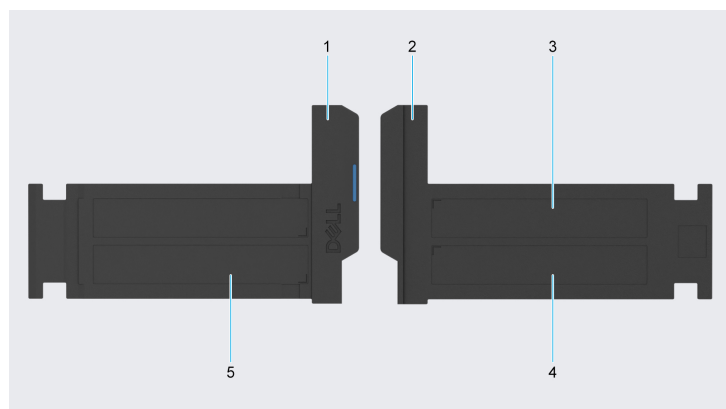


Figure 9. Locating the Express Service Code and Service tag

- 1. Information Tag (front view)
- 2. Information Tag (rear view)
- 3. OpenManage Mobile (OMM) label
- 4. iDRAC MAC address and iDRAC secure password label
- 5. Service Tag, Express Service Code, QRL label

System information labels

The system information labels are located on the back side of the system cover.

Figure 10. Service information

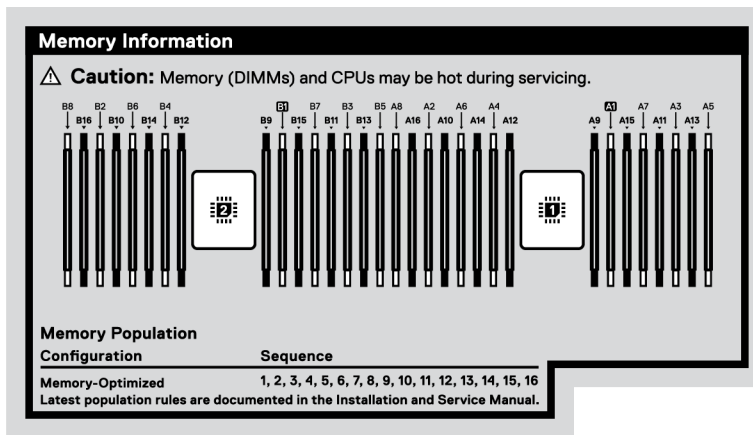
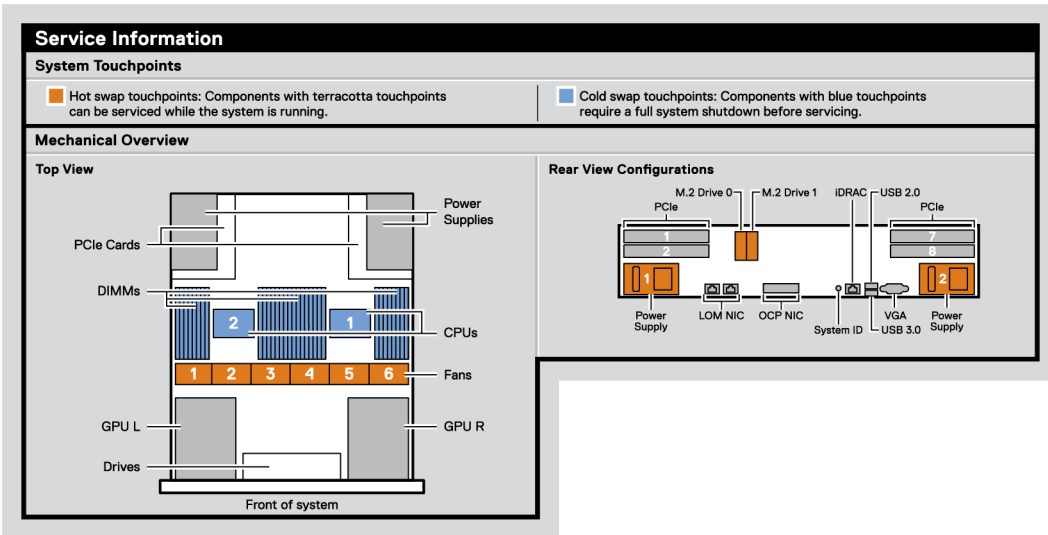


Figure 11. Memory information

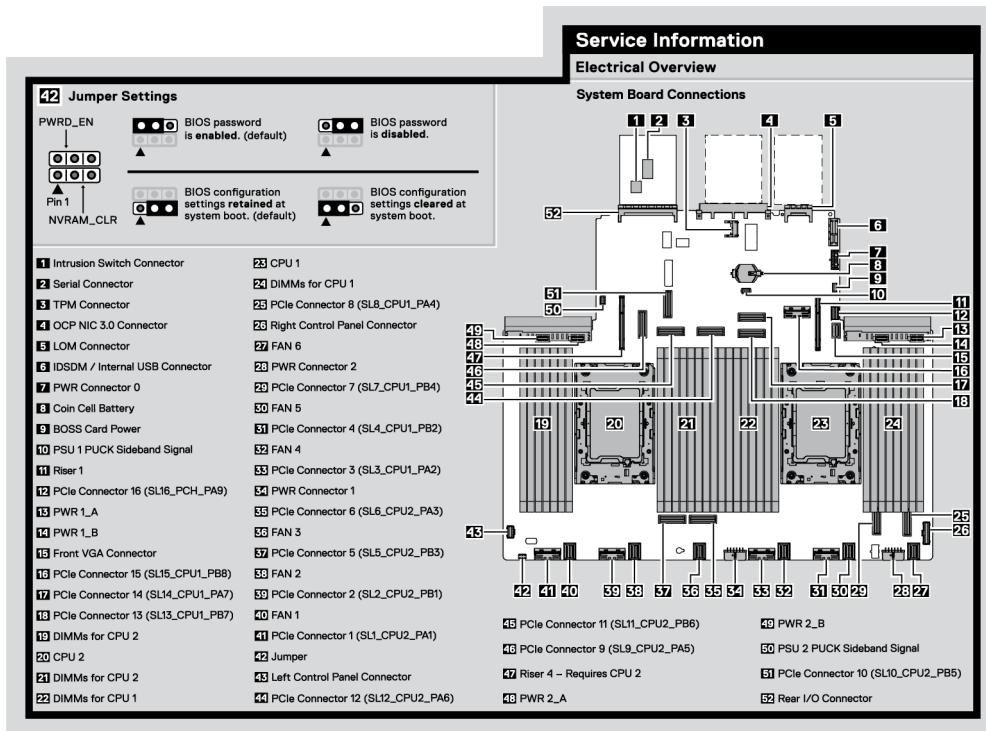


Figure 12. Electrical overview

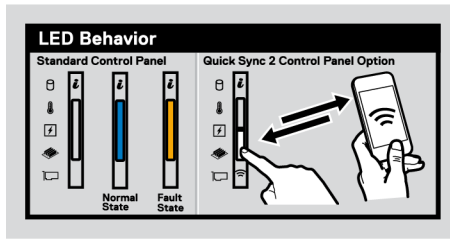


Figure 13. LED behavior

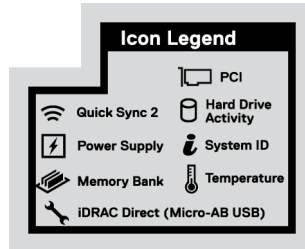


Figure 14. Icon legend

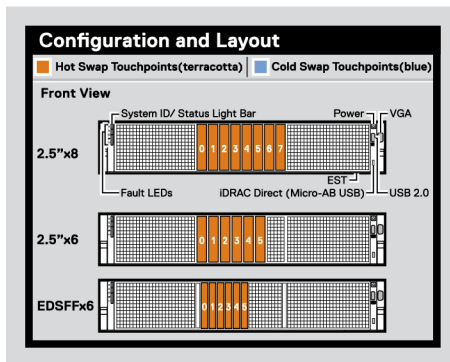


Figure 15. Configuration and layout for 2.5-inch drive system

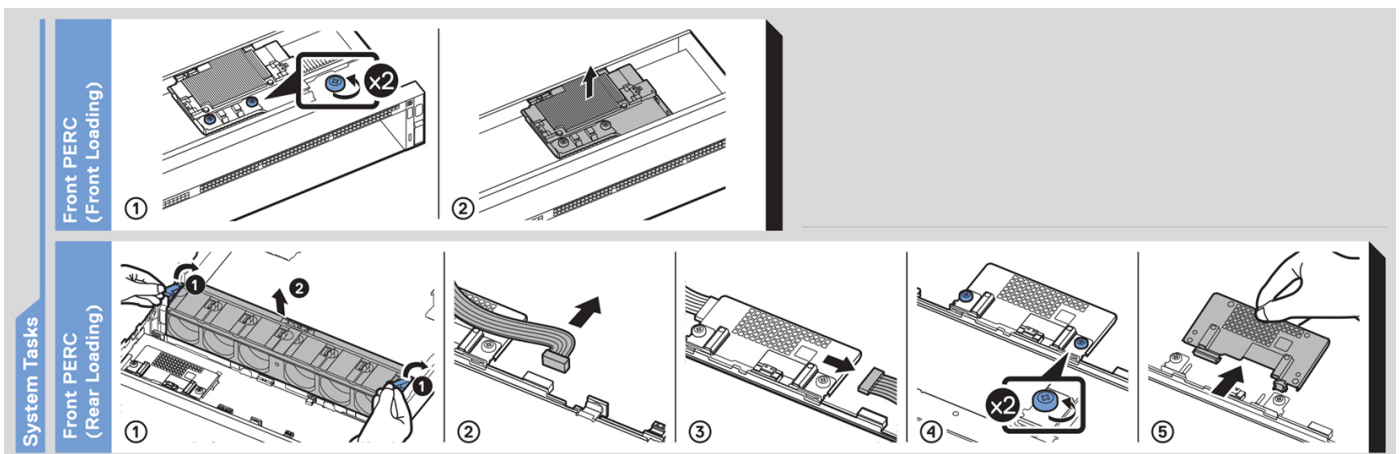


Figure 16. System tasks

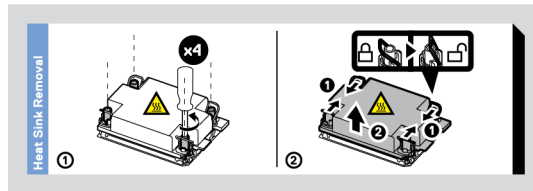


Figure 17. Heat sink

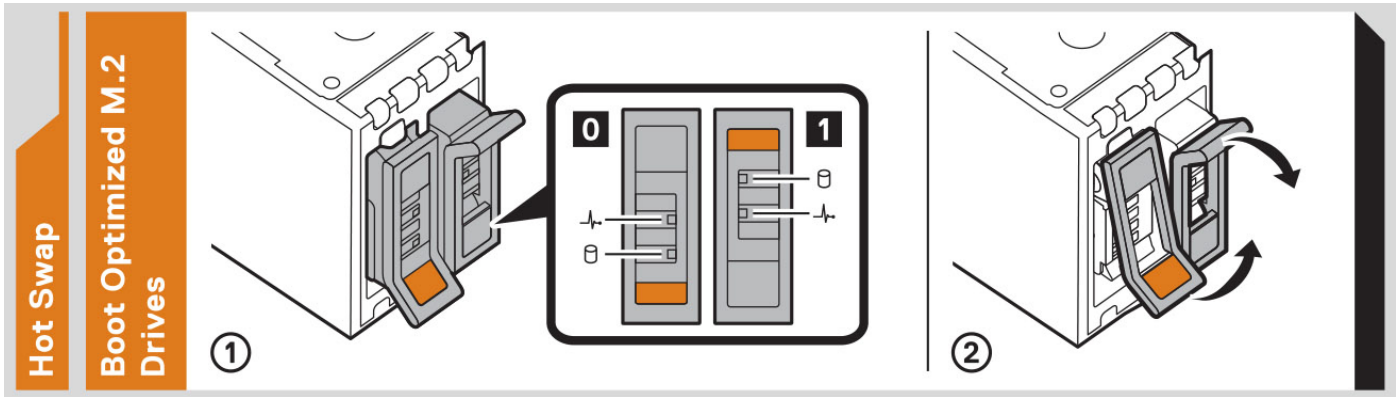


Figure 18. BOSS-N1

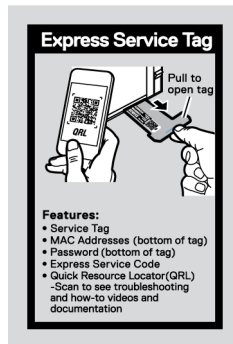


Figure 19. Express service tag

Rail sizing and rack compatibility matrix

For specific information about the rail solutions compatible with your system, see the *Dell Enterprise Systems Rail Sizing and Rack Compatibility Matrix* available at https://i.dell.com/sites/csdocuments/Business_solutions_engineering-Docs_Documents/en/rail-rack-matrix.pdf.

The document provides the information that is listed below:

- Specific details about rail types and their functionalities.
- Rail adjustability range for various types of rack mounting flanges.
- Rail depth with and without cable management accessories.
- Types of racks supported for various types of rack mounting flanges.

Technical specifications

The technical and environmental specifications of your system are outlined in this section.

Topics:

- Chassis dimensions
- System weight
- Processor specifications
- PSU specifications
- Supported operating systems
- Cooling fan specifications
- System battery specifications
- Expansion card riser specifications
- Memory specifications
- Storage controller specifications
- Drives
- Ports and connectors specifications
- Video specifications
- Environmental specifications

Chassis dimensions

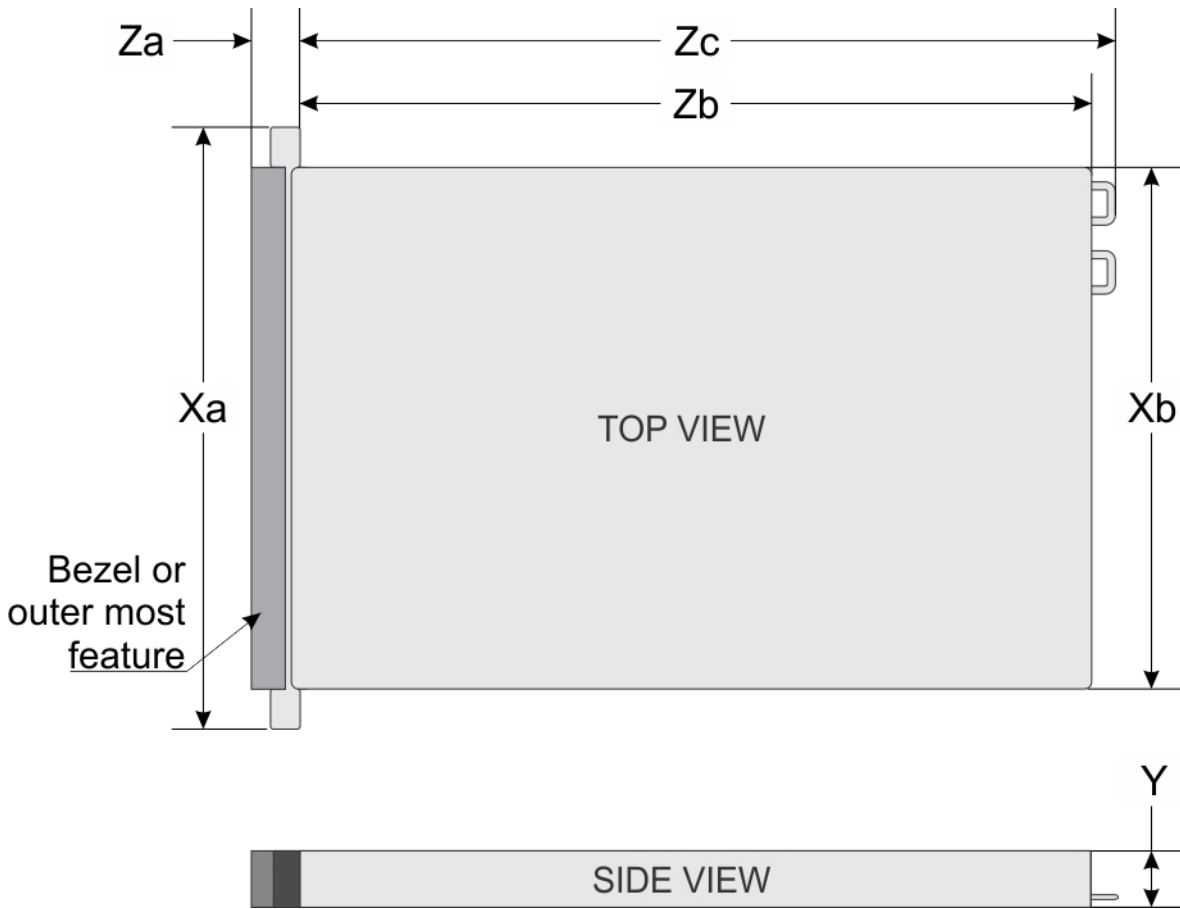


Figure 20. Chassis dimensions

Table 7. PowerEdge R760xa chassis dimensions

| Xa | Xb | Y | Za | Zb | Zc |
|-------------------------|-------------------------|-----------------------|--|--|--|
| 482.0 mm (18.97 inches) | 434.0 mm (17.09 inches) | 86.8 mm (3.41 inches) | 35.84 mm (1.41 inches) With bezel 22.0 mm (0.86 inches) Without bezel | 875.3 mm (34.46 inches) Ear to rear wall | 910.89 mm (35.86 inches) Ear to PSU handle |

NOTE: Zb is the nominal rear wall external surface where the system board I/O connectors reside.

System weight

Table 8. PowerEdge R760xa system weight

| System configuration | Maximum weight (with all drives/SSDs) |
|---|---------------------------------------|
| A server with fully populated drives | 27.5 kg (60.62 lbs) |
| A server without drives and PSU installed | 25.1 Kg (55.33 lbs) |

Processor specifications

Table 9. PowerEdge R760xa processor specifications

| Supported processor | Number of processors supported |
|---|--------------------------------|
| 4 th Generation Intel Xeon Scalable processors | Up to two |

PSU specifications

The PowerEdge R760xa system supports up to two AC or DC power supply units (PSUs).

Table 10. PSU specifications

| PSU | Class | Heat dissipation (maximum) (BTU/hr) | Frequency (Hz) | Voltage | AC | | DC | Current (A) |
|-------------------|----------|-------------------------------------|----------------|--------------|----------------------------------|---------------------------------|--------|-------------|
| | | | | | High line wattage (200—240 V AC) | Low line wattage (100—120 V AC) | | |
| 2400 W mixed mode | Platinum | 9000 | 50/60 | 100—240 V AC | 2400 W | 1400 W | N/A | 16—13.5 |
| | N/A | 9000 | N/A | 240 V DC | N/A | N/A | 2400 W | 11.2 |
| 2800 W mixed mode | Titanium | 10500 | 50/60 | 200—240 V AC | 2800 W | N/A | N/A | 15.6 |
| | N/A | 10500 | N/A | 240 V DC | N/A | N/A | 2800 W | 13.6 |

- NOTE:** Heat dissipation is calculated using the PSU wattage rating.
- NOTE:** When selecting or upgrading the system configuration, to ensure optimum power utilization, verify the system power consumption with the Enterprise Infrastructure Planning Tool available at Dell.com/calc.
- NOTE:** If a system with AC 2400 W PSUs operates at low line 100-120 Vac, then the power rating per PSU is degraded to 1400 W.



Figure 21. PSU power cords

Table 11. PSU power cords

| Form factor | Output | Power cord |
|-----------------|-----------|------------|
| Redundant 86 mm | 2400 W AC | C19 |
| | 2800 W AC | C21 |

Supported operating systems

The PowerEdge R760xa system supports the following operating systems:

- Canonical Ubuntu Server LTS
- Microsoft Windows Server with Hyper-V
- Red Hat Enterprise Linux

- SUSE Linux Enterprise Server
- VMware ESXi

For more information, go to www.dell.com/ossupport.

Cooling fan specifications


Cooling options

The PowerEdge R760xa offers two types of cooling options:

- Air cooling
- Direct Liquid Cooling (DLC) (optional)

The PowerEdge R760xa system supports up to six standard (STD) cooling fans.

Table 12. Cooling fan specifications

| Fan type | Abbreviation | Label color | Label image |
|---------------|--------------|-------------|---|
| Standard fans | STD | No label |  |

System battery specifications

The PowerEdge R760xa system uses one CR 2032 3.0-V lithium coin cell battery.

Expansion card riser specifications

The PowerEdge R760xa system supports up to four PCIe Gen5 x16 cards at rear, and either four DW PCIe Gen5 x16 GPU cards or eight SW PCIe Gen5 x8 GPU cards at front of the system.

Table 13. Expansion card slots supported on the system board

| Slot no | Card support | CPU1 | | | CPU2 | | |
|------------------|----------------------|------|------|------|------|----------------|---------|
| | | R1V | RF1A | RF1B | R4T | RF2A | RF1B |
| PCIe Slot-1 | FH-HL | x16 | - | - | - | - | - |
| PCIe Slot-2 | FH-HL | x16 | - | - | - | - | - |
| PCIe Slot-7 | FH-HL | - | - | - | x16 | - | - |
| PCIe Slot-8 | FH-HL | - | - | - | x16 | - | - |
| PCIe Slot-3 1 | FH-FL or FH-HL | - | - | - | - | x16 (DW or SW) | x8 (SW) |
| PCIe Slot-3 2 | FH-FL or FH-HL | - | - | - | - | - | x8 (SW) |

Table 13. Expansion card slots supported on the system board (continued)

| Slot no | Card support | CPU1 | | | CPU2 | | |
|---------------|----------------------|------|----------------|---------|------|----------------|---------|
| | | R1V | RF1A | RF1B | R4T | RF2A | RF1B |
| PCIe Slot-3 3 | FH-FL or FH-HL | - | - | - | - | x16 (DW or SW) | x8 (SW) |
| PCIe Slot-3 4 | FH-FL or FH-HL | - | - | - | - | - | x8 (SW) |
| PCIe Slot-3 5 | FH-FL or FH-HL | - | - | x8 (SW) | - | - | - |
| PCIe Slot-3 6 | FH-FL or FH-HL | - | x16 (DW or SW) | x8 (SW) | - | - | - |
| PCIe Slot-3 7 | FH-FL or FH-HL | - | - | x8 (SW) | - | - | - |
| PCIe Slot-3 8 | FH-FL or FH-HL | - | x16 (DW or SW) | x8 (SW) | - | - | - |

i | **NOTE:** x16 card is only supported on x16 capable slot.

Table 14. Label reference

| Label | Description |
|-------|--------------|
| SW | Single Width |
| DW | Double Width |
| FH | Full Height |
| FL | Full Length |
| HL | Half Length |

Memory specifications

The PowerEdge R760xa system supports the following memory specifications for optimized operation.

Table 15. Memory specifications

| DIMM type | DIMM rank | DIMM capacity | Single processor | | Dual processors | |
|------------|-------------|---------------|-------------------------|-------------------------|-------------------------|-------------------------|
| | | | Minimum system capacity | Maximum system capacity | Minimum system capacity | Maximum system capacity |
| DDR5 RDIMM | Single rank | 16 GB | 16 GB | 256 GB | 32 GB | 512 GB |

Table 15. Memory specifications (continued)

| DIMM type | DIMM rank | DIMM capacity | Single processor | | Dual processors | |
|-----------|-----------|---------------|-------------------------|-------------------------|-------------------------|-------------------------|
| | | | Minimum system capacity | Maximum system capacity | Minimum system capacity | Maximum system capacity |
| | Dual rank | 32 GB | 32 GB | 512 GB | 64 GB | 1 TB |
| | Dual rank | 64 GB | 64 GB | 1 TB | 128 GB | 2 TB |
| | Quad rank | 128 GB | 128 GB | 2 TB | 256 GB | 4 TB |
| | Octa rank | 256 GB | 256 GB | 4 TB | 512 GB | 8 TB |

NOTE: DDR4 memories are not supported in the R760xa.

Table 16. Memory module sockets

| Memory module sockets | Speed |
|-----------------------|----------------------|
| 32, 288-pin | 4800 MT/s, 4400 MT/s |

NOTE: The processor may reduce the performance of the rated DIMM speed.

NOTE: Memory DIMM slots are not hot pluggable.

Storage controller specifications

The PowerEdge R760xa system supports the following controller cards:

Table 17. Storage controller cards

| Supported storage controller cards |
|---|
| Internal controllers <ul style="list-style-type: none"> PERC H965i PERC H755 PERC H755N PERC H355 |
| External controllers <ul style="list-style-type: none"> HBA355e H965e |
| Internal Boot <ul style="list-style-type: none"> Boot Optimized Storage Subsystem (BOSS-N1) |
| Software RAID <ul style="list-style-type: none"> S160 |
| SAS Host Bus Adapters (HBA) <ul style="list-style-type: none"> HBA355i |

Drives

The PowerEdge R760xa system supports:

- 8 x 2.5-inch hot-swappable SAS, SATA, or NVMe drives.
- 6 x 2.5-inch hot-swappable NVMe drives.
- 6 x E3.S Gen5 NVMe drives.

NOTE: For more information about how to hot swap NVMe PCIe SSD U.2 device, see the *Dell Express Flash NVMe PCIe SSD User's Guide* at <https://www.dell.com/support> > **Browse all products** > **Infrastructure** > **Data Center Infrastructure** > **Storage Adapters & Controllers** > **Dell PowerEdge Express Flash NVMe PCIe SSD** > **Select This Product** > **Documentation** > **Manuals and Documents**.

Ports and connectors specifications

USB ports specifications

Table 18. PowerEdge R760xa USB specifications

| Front | | Rear | | Internal (Optional) | |
|---|--------------|------------------------|--------------|---------------------------------|--------------|
| USB port type | No. of ports | USB port type | No. of ports | USB port type | No. of ports |
| USB 2.0-compliant port | One | USB 3.0-compliant port | One | Internal USB 3.0-compliant port | One |
| iDRAC Direct port (Micro-AB USB 2.0-compliant port) | One | USB 2.0-compliant port | One | | |

NOTE: The micro USB 2.0 compliant port can only be used as an iDRAC Direct or a management port.

NIC port specifications

The PowerEdge R760xa system supports up to two 10/100/1000 Mbps Network Interface Controller (NIC) ports embedded on the LAN on Motherboard (LOM) and integrated on the optional Open Compute Project (OCP) card.

Table 19. NIC port specification for the system

| Feature | Specifications |
|-------------------------------|---|
| LOM card (optional) | 1 GbE x 2 |
| OCP card (OCP 3.0) (optional) | 1 GbE x 4, 10 GbE x 2, 10 GbE x 4, 25 GbE x 2, 25 GbE x 4 |

NOTE: The system should have either LOM card or an OCP card that is installed in the system.

NOTE: On the system board, the supported OCP PCIe width is x8; when x16 PCIe width is installed, it is downgraded to x8.

Serial connector specifications

The PowerEdge R760xa system supports one optional card type serial connector, which is a 9-pin connector, Data Terminal Equipment (DTE), 16550-compliant.

The optional serial connector card is installed similar to an expansion card filler bracket.

VGA ports specifications

The PowerEdge R760xa system supports DB-15 VGA port on front panel and on rear I/O board (optional for Direct Liquid Cooling configuration).

Video specifications

The PowerEdge R760xa system supports integrated Matrox G200 graphics controller with 16 MB of video frame buffer.

Table 20. Supported video resolution options

| Resolution | Refresh rate (Hz) | Color depth (bits) |
|-------------|-------------------|--------------------|
| 1024 x 768 | 60 | 8, 16, 32 |
| 1280 x 800 | 60 | 8, 16, 32 |
| 1280 x 1024 | 60 | 8, 16, 32 |
| 1360 x 768 | 60 | 8, 16, 32 |
| 1440 x 900 | 60 | 8, 16, 32 |
| 1600 x 900 | 60 | 8, 16, 32 |
| 1600 x 1200 | 60 | 8, 16, 32 |
| 1680 x 1050 | 60 | 8, 16, 32 |
| 1920 x 1080 | 60 | 8, 16, 32 |
| 1920 x 1200 | 60 | 8, 16, 32 |

Environmental specifications

NOTE: For additional information about environmental certifications, refer to the *Product Environmental Datasheet* located with the *Documentation* on www.dell.com/support/home.

Table 21. Continuous Operation Specifications for ASHRAE A2

| Temperature | Specifications |
|---|--|
| Allowable continuous operations | |
| Temperature range for altitudes <= 900 m (<= 2953 ft) | 10–35°C (50–95°F) with no direct sunlight on the equipment |
| Humidity percent range (non-condensing at all times) | 8% RH with -12°C (10.4°F) minimum dew point to 80% RH with 21°C (69.8°F) maximum dew point |
| Operational altitude de-rating | Maximum temperature is reduced by 1°C/300 m (1.8°F/984 Ft) above 900 m (2953 Ft) |

Table 22. Continuous Operation Specifications for ASHRAE A3

| Temperature | Specifications |
|---|--|
| Allowable continuous operations | |
| Temperature range for altitudes <= 900 m (<= 2953 ft) | 5–40°C (41–104°F) with no direct sunlight on the equipment |
| Humidity percent range (non-condensing at all times) | 8% RH with -12°C (10.4°F) minimum dew point to 85% RH with 24°C (75.2°F) maximum dew point |
| Operational altitude de-rating | Maximum temperature is reduced by 1°C/175 m (1.8°F/574 Ft) above 900 m (2953 Ft) |

Table 23. Continuous Operation Specifications for ASHRAE A4

| Temperature | Specifications |
|---------------------------------|----------------|
| Allowable continuous operations | |

Table 23. Continuous Operation Specifications for ASHRAE A4 (continued)

| Temperature | Specifications |
|---|--|
| Temperature range for altitudes <= 900 m (<= 2953 ft) | 5–45°C (41–113°F) with no direct sunlight on the equipment |
| Humidity percent range (non-condensing at all times) | 8% RH with -12°C (10.4°F) minimum dew point to 90% RH with 24°C (75.2°F) maximum dew point |
| Operational altitude de-rating | Maximum temperature is reduced by 1°C/125 m (1.8°F/410 Ft) above 900 m (2953 Ft) |

Table 24. Common Environmental Specifications for ASHRAE A2, A3 and A4

| Allowable continuous operations | |
|--|--|
| Maximum temperature gradient (applies to both operation and non-operation) | 20°C in an hour* (36°F in an hour) and 5°C in 15 minutes (9°F in 15 minutes), 5°C in an hour* (9°F in an hour) for tape <i>i</i> NOTE: * - Per ASHRAE thermal guidelines for tape hardware, these are not instantaneous rates of temperature change. |
| Non-operational temperature limits | -40 to 65°C (-40 to 149°F) |
| Non-operational humidity limits | 5% to 95% RH with 27°C (80.6°F) maximum dew point |
| Maximum non-operational altitude | 12,000 meters (39,370 feet) |
| Maximum operational altitude | 3,050 meters (10,006 feet) |

Table 25. Maximum vibration specifications

| Maximum vibration | Specifications |
|-------------------|---|
| Operating | 0.21 G _{rms} at 5 Hz to 500 Hz for 10 minutes (all operation orientations) |
| Storage | 1.88 G _{rms} at 10 Hz to 500 Hz for 15 minutes (all six sides tested) |

Table 26. Maximum shock pulse specifications

| Maximum shock pulse | Specifications |
|---------------------|--|
| Operating | Six consecutively executed shock pulses in the positive and negative x, y, and z axis of 6 G for up to 11 ms. |
| Storage | Six consecutively executed shock pulses in the positive and negative x, y, and z axis (one pulse on each side of the system) of 71 G for up to 2 ms. |

Thermal air restrictions

ASHRAE A2 environment

- Processors > 350 W are not supported
- 8470Q and 6458Q 350 W Processors are not supported
- GPU > 400 W are not supported
- Maximum 30° C (86°F) for GPU > 350 W With Processor > 225 W

ASHRAE A3 environment

- Processors > 225 W are not supported
- GPUs at rear slots are not supported
- Nvidia A2 GPU is supported at front slots. Other GPUs are not supported
- 128 GB or greater capacity RDIMMs are not supported
- Two power supplies are required. System performance may be reduced in the event of a PSU failure

- Non-Dell qualified peripheral cards and/or peripheral cards greater than 25 W are not supported
- 85°C (185°F) active optics cable is required

ASHRAE A4 environment

- Processors > 185 W are not supported
- GPUs at rear slots are not supported
- Nvidia A2 GPU is supported at front slots. Other GPUs are not supported
- 128 GB or greater capacity RDIMMs are not supported
- 2.5-inch NVMe storages are not supported
- BOSS-N1 is not supported
- Two power supplies are required. System performance may be reduced in the event of a PSU failure
- Non-Dell qualified peripheral cards and/or peripheral cards greater than 25 W are not supported
- OCP cards 3.0 are not supported
- 85°C (185°F) active optics cable is required

Liquid cooling restrictions

ASHRAE A2 environment

- GPU > 400 W are not supported

ASHRAE A3 environment

- GPU at rear slots are not supported
- Nvidia A2 GPU is supported at front slots. Other GPUs are not supported
- 128 GB or greater capacity RDIMMs are not supported
- Two power supplies are required. System performance may be reduced in the event of a PSU failure
- Non Dell qualified peripheral cards and/or peripheral cards greater than 25 W are not supported
- 85°C (185°F) active optics cable is required

ASHRAE A4 environment

- GPU at rear slots are not supported
- Nvidia A2 GPU is supported at front slots. Other GPUs are not supported
- 128 GB or greater capacity RDIMMs are not supported
- 2.5 inch NVMe storage are not supported
- BOSS-N1 is not supported
- Two power supplies are required. System performance may be reduced in the event of a PSU failure
- Non Dell qualified peripheral cards and/or peripheral cards greater than 25 W are not supported
- OCP cards 3.0 are not supported
- 85°C (185°F) active optics cable is required

Thermal restriction matrix

Table 27. References used in the restriction table.

| Label | Description |
|-------|-------------|
| STD | Standard |
| HSK | Heat sink |
| LP | Low Profile |

Table 27. References used in the restriction table. (continued)

| Label | Description |
|-------|-------------|
| FH | Full Height |

Table 28. Thermal restriction matrix

| Configuration | | - | Ambient temperature |
|------------------|-------|---|---------------------|
| Front GPU TDP | | <=350 W | 35°C (95°F) |
| Front drives | | 8x 2.5" SAS/SATA/NVMe | |
| CPU TDP/ cTDP | 125 W | System Fan (60 x 76 mm) with 2U HPR HSK | |
| | 150 W | | |
| | 165 W | | |
| | 185 W | | |
| | 195 W | | |
| | 205 W | | |
| | 225 W | | |
| | 250 W | | |
| | 270 W | | |
| | 300 W | | |
| | 330 W | | |
| | 350 W | | |

- NOTE:** The PowerEdge R760xa system supports all CPU SKUs at 35°C (95°F) except 8470Q and 6458Q 350 W CPUs that require liquid cooling support.
- NOTE:** There is only one type of fan supported in R760xa. Six fans are required to be installed for all R760xa system configurations.
- NOTE:** Fan type supported: STD

Initial system setup and configuration

This section describes the tasks for initial setup and configuration of the Dell system. The section also provides general steps to set up the system and the reference guides for detailed information.

Topics:

- [Setting up the system](#)
- [iDRAC configuration](#)
- [Resources to install operating system](#)


Setting up the system

Perform the following steps to set up the system:

Steps

1. Unpack the system.
2. Install the system into the rack. For more information, see the rail installation and cable management accessory guides relevant to your rail and cable management solution at www.dell.com/poweredgemanuals.
3. Connect the peripherals to the system and the system to the electrical outlet.
4. Power on the system.

For more information about setting up the system, see the *Getting Started Guide* that is shipped with your system.


 **NOTE:** For information about managing the basic settings and features of the system, see the [Pre-operating system management applications](#) chapter.

iDRAC configuration

The Integrated Dell Remote Access Controller (iDRAC) is designed to make you more productive as a system administrator and improve the overall availability of Dell servers. iDRAC alerts you to system issues, helps you to perform remote management, and reduces the need for physical access to the system.

Options to set up iDRAC IP address

To enable communication between your system and iDRAC, you must first configure the network settings based on your network infrastructure. The network settings option is set to **DHCP**, by default.

 **NOTE:** For static IP configuration, you must request for the settings at the time of purchase.

You can set up the iDRAC IP address using one of the interfaces in the table below. For information about setting up iDRAC IP address, see the documentation links provided in the table below.

Table 29. Interfaces to set up iDRAC IP address

| Interface | Documentation links |
|------------------------|---|
| iDRAC Settings utility | <i>Integrated Dell Remote Access Controller User's Guide</i> at https://www.dell.com/idracmanuals or for system specific <i>Integrated Dell Remote Access Controller User's Guide</i> , go to https://www.dell.com/poweredgemanuals > Product Support page of your system > Documentation . |

Table 29. Interfaces to set up iDRAC IP address (continued)

| Interface | Documentation links |
|--|--|
| | <p>i NOTE: To determine the most recent iDRAC release for your platform and for latest documentation version, see KB article https://www.dell.com/support/article/sln000178115.</p> |
| OpenManage Deployment Toolkit | <p><i>Dell OpenManage Deployment Toolkit User's Guide</i> available at https://www.dell.com/openmanagemanuals > Open Manage Deployment Toolkit.</p> |
| iDRAC Direct | <p><i>Integrated Dell Remote Access Controller User's Guide</i> at https://www.dell.com/idracmanuals or for system specific <i>Integrated Dell Remote Access Controller User's Guide</i>, go to https://www.dell.com/poweredgemanuals > Product Support page of your system > Documentation.</p> <p>i NOTE: To determine the most recent iDRAC release for your platform and for latest documentation version, see KB article https://www.dell.com/support/article/sln000178115.</p> |
| Lifecycle Controller | <p><i>Dell Lifecycle Controller User's Guide</i> at https://www.dell.com/idracmanuals or for system specific <i>Dell Lifecycle Controller User's Guide</i>, go to https://www.dell.com/poweredgemanuals > Product Support page of your system > Documentation.</p> <p>i NOTE: To determine the most recent iDRAC release for your platform and for latest documentation version, see KB article https://www.dell.com/support/article/sln000178115.</p> |
| Server LCD panel | <p>LCD panel section.</p> |
| iDRAC Direct and Quick Sync 2 (optional) | <p><i>Integrated Dell Remote Access Controller User's Guide</i> at https://www.dell.com/idracmanuals or for system specific <i>Integrated Dell Remote Access Controller User's Guide</i>, go to https://www.dell.com/poweredgemanuals > Product Support page of your system > Documentation.</p> <p>i NOTE: To determine the most recent iDRAC release for your platform and for latest documentation version, see KB article https://www.dell.com/support/article/sln000178115.</p> |

i **NOTE:** To access iDRAC, ensure that you connect the ethernet cable to the iDRAC dedicated network port or use the iDRAC Direct port by using the micro USB (type AB) cable. You can also access iDRAC through the shared LOM mode, if you have opted for a system that has the shared LOM mode enabled.

Options to log in to iDRAC

To log in to the iDRAC Web User Interface, open a browser and enter the IP address.

You can log in to iDRAC as:

- iDRAC user
- Microsoft Active Directory user
- Lightweight Directory Access Protocol (LDAP) user

In the login screen displayed, if you have opted for secure default access to iDRAC, the default username is `root` and enter the iDRAC secure default password available on back of the Information Tag. If you opted for legacy password, use the iDRAC legacy username and password - `root` and `calvin`, the iDRAC default password will be blank on the information tag. Then you

will be prompted and required to create a password of your choice before proceeding. You can also log in by using your Single Sign-On or Smart Card.

NOTE: Ensure that you change the default username and password after setting up the iDRAC IP address.

For more information about logging in to the iDRAC and iDRAC licenses, see the latest *Integrated Dell Remote Access Controller User's Guide* at www.dell.com/idracmanuals.

NOTE: To determine the most recent iDRAC release for your platform and for latest documentation version, see KB article <https://www.dell.com/support/article/sln000178115>.

You can also access iDRAC using command-line protocol - RACADM. For more information, see the *Integrated Dell Remote Access Controller RACADM CLI Guide* available at <https://www.dell.com/idracmanuals>.

You can also access iDRAC using automation tool - Redfish API. For more information, see the *Integrated Dell Remote Access Controller User's Guide Redfish API Guide* available at <https://developer.dell.com>.

Resources to install operating system

If the system is shipped without an operating system, you can install a supported operating system by using one of the resources provided in the table below. For information about how to install the operating system, see the documentation links provided in the table below.

Table 30. Resources to install the operating system

| Resource | Documentation links |
|-------------------------------|--|
| iDRAC | <i>Integrated Dell Remote Access Controller User's Guide</i> at https://www.dell.com/idracmanuals or for system specific <i>Integrated Dell Remote Access Controller User's Guide</i> , go to https://www.dell.com/poweredgemanuals > Product Support page of your system > Documentation . NOTE: To determine the most recent iDRAC release for your platform and for latest documentation version, see KB article at https://www.dell.com/support/article/sln000178115 . |
| Lifecycle Controller | <i>Dell Lifecycle Controller User's Guide</i> at https://www.dell.com/idracmanuals or for system specific <i>Dell Lifecycle Controller User's Guide</i> , go to https://www.dell.com/poweredgemanuals > Product Support page of your system > Documentation . Dell recommends using Lifecycle Controller to install the OS, since all required drivers are installed on the system. NOTE: To determine the most recent iDRAC release for your platform and for latest documentation version, see KB article at https://www.dell.com/support/article/sln000178115 . |
| OpenManage Deployment Toolkit | www.dell.com/openmanagemanuals > OpenManage Deployment Toolkit |
| Dell certified VMware ESXi | www.dell.com/virtualizationsolutions |

NOTE: For more information about installation and how-to videos for operating systems supported on PowerEdge systems, see [Supported Operating Systems for Dell PowerEdge systems](#).

Options to download drivers and firmware

You can download firmware from the Dell support site. For information about downloading firmware, see the [Downloading drivers and firmware](#) section.

You can also choose any one of the following options to download the firmware. For information about how to download the firmware, see the documentation links provided in the table below.

Table 31. Options to download firmware

| Option | Documentation link |
|---|--|
| Using Integrated Dell Remote Access Controller Lifecycle Controller (iDRAC with LC) | www.dell.com/idracmanuals |


Table 31. Options to download firmware (continued)

| Option | Documentation link |
|--|--|
| Using Dell Repository Manager (DRM) | www.dell.com/openmanagemanuals > Repository Manager |
| Using Dell Server Update Utility (SUU) | www.dell.com/openmanagemanuals > Server Update Utility |
| Using Dell OpenManage Deployment Toolkit (DTK) | www.dell.com/openmanagemanuals > OpenManage Deployment Toolkit |
| Using iDRAC virtual media | www.dell.com/idracmanuals |

Options to download and install OS drivers

You can choose any one of the following options to download and install OS drivers. For information about how to download or install OS drivers, see the documentation links provided in the table below.

Table 32. Options to download and install OS drivers

| Option | Documentation |
|---------------------|---|
| Dell support site | Downloading drivers and firmware section. |
| iDRAC virtual media | <i>Integrated Dell Remote Access Controller User's Guide</i> at https://www.dell.com/idracmanuals or for system specific <i>Integrated Dell Remote Access Controller User's Guide</i> , go to https://www.dell.com/poweredgemanuals > Product Support page of your system > Documentation .  NOTE: To determine the most recent iDRAC release for your platform and for latest documentation version, see https://www.dell.com/support/article/sln000178115 . |

Downloading drivers and firmware

It is recommended that you download and install the latest BIOS, drivers, and systems management firmware on the system.

Prerequisites

Ensure that you clear the web browser cache before downloading the drivers and firmware.

Steps

1. Go to www.dell.com/support/drivers.
2. Enter the Service Tag of the system in the **Enter a Dell Service Tag, Dell Product ID or Model** field, and then press Enter.

 **NOTE:** If you do not have the Service Tag, click **Browse all products**, and navigate to your product.

3. On the displayed product page, click **Drivers & Downloads**.
On the **Drivers & Downloads** page, all drivers that are applicable to the system are displayed.
4. Download the drivers to a USB drive, CD, or DVD.

Pre-operating system management applications

You can manage basic settings and features of a system without booting to the operating system by using the system firmware.

Options to manage the pre-operating system applications

You can use any one of the following options to manage the pre-operating system applications:

- System Setup
- Dell Lifecycle Controller
- Boot Manager
- Preboot Execution Environment (PXE)

Topics:

- [System Setup](#)
- [Dell Lifecycle Controller](#)
- [Boot Manager](#)
- [PXE boot](#)

System Setup

Using the


System Setup option, you can configure the BIOS settings, iDRAC settings, and device settings of the system.

You can access system setup by using any one of the following interfaces:

- Graphical User interface — To access go to iDRAC Dashboard, click **Configurations > BIOS Settings**.
- Text browser — To enable the text browser, use the Console Redirection.

To view

System Setup, power on the system, press F2, and click **System Setup Main Menu**.

 **NOTE:** If the operating system begins to load before you press F2, wait for the system to finish booting, and then restart the system and try again.

The options on the

System Setup Main Menu screen are described in the following table:

Table 33. System Setup Main Menu

| Option | Description |
|-----------------------|--|
| System BIOS | Enables you to configure the BIOS settings. |
| iDRAC Settings | Enables you to configure the iDRAC settings. The iDRAC settings utility is an interface to set up and configure the iDRAC parameters by using UEFI (Unified Extensible Firmware Interface). You can enable or disable various iDRAC parameters by using the iDRAC settings utility. For more information about this utility, see <i>Integrated Dell Remote Access Controller User's Guide</i> available at https://www.dell.com/idracmanuals . |


Table 33. System Setup Main Menu (continued)

| Option | Description |
|-----------------------------|--|
| Device Settings | Enables you to configure device settings for devices such as storage controllers or network cards. |
| Service Tag Settings | Enables you to configure the System Service Tag. |

System BIOS

To view the **System BIOS** screen, power on the system, press F2, and click **System Setup Main Menu > System BIOS**.

Table 34. System BIOS details

| Option | Description |
|--------------------------------|---|
| System Information | Provides information about the system such as the system model name, BIOS version, and Service Tag. |
| Memory Settings | Specifies information and options related to the installed memory. |
| Processor Settings | Specifies information and options related to the processor such as speed and cache size. |
| SATA Settings | Specifies options to enable or disable the integrated SATA controller and ports. |
| NVMe Settings | Specifies options to change the NVMe settings. If the system contains the NVMe drives that you want to configure in a RAID array, you must set both this field and the Embedded SATA field on the SATA Settings menu to RAID mode. You might also need to change the Boot Mode setting to UEFI . Otherwise, you should set this field to Non-RAID mode. |
| Boot Settings | Specifies options to specify the Boot mode (BIOS or UEFI). Enables you to modify UEFI and BIOS boot settings. |
| Network Settings | Specifies options to manage the UEFI network settings and boot protocols. Legacy network settings are managed from the Device Settings menu.  NOTE: Network Settings are not supported in BIOS boot mode. |
| Integrated Devices | Specifies options to manage integrated device controllers and ports, specifies related features, and options. |
| Serial Communication | Specifies options to manage the serial ports, its related features, and options. |
| System Profile Settings | Specifies options to change the processor power management settings, memory frequency. |
| System Security | Specifies options to configure the system security settings, such as system password, setup password, Trusted Platform Module (TPM) security, and UEFI secure boot. It also manages the power button on the system. |
| Redundant OS Control | Sets the redundant OS information for redundant OS control. |
| Miscellaneous Settings | Specifies options to change the system date and time. |

System Information

To view the **System Information** screen, power on the system, press F2, and click **System Setup Main Menu > System BIOS > System Information**.

Table 35. System Information details

| Option | Description |
|--------------------------|----------------------------------|
| System Model Name | Specifies the system model name. |

Table 35. System Information details (continued)

| Option | Description |
|--|--|
| System BIOS Version | Specifies the BIOS version installed on the system. |
| System Management Engine Version | Specifies the current version of the Management Engine firmware. |
| System Service Tag | Specifies the system Service Tag. |
| System Manufacturer | Specifies the name of the system manufacturer. |
| System Manufacturer Contact Information | Specifies the contact information of the system manufacturer. |
| System CPLD Version | Specifies the current version of the system Complex Programmable Logic Device (CPLD) firmware. |
| UEFI Compliance Version | Specifies the UEFI compliance level of the system firmware. |

Memory Settings

To view the **Memory Settings** screen, power on the system, press F2, and click **System Setup Main Menu > System BIOS > Memory Settings**.

Table 36. Memory Settings details

| Option | Description |
|---|--|
| System Memory Size | Specifies the size of the system memory. |
| System Memory Type | Specifies the type of memory installed in the system. |
| System Memory Speed | Specifies the speed of the system memory. |
| Video Memory | Specifies the size video memory. |
| System Memory Testing | Specifies whether the system memory tests are run during system boot. The two options available are Enabled and Disabled . This option is set to Disabled by default. |
| Memory Operating Mode | This field selects the memory operating mode. This feature is active only if a valid memory configuration is detected. When Optimizer Mode is enabled, the DRAM controllers operate independently in 64-bit mode and provide optimized memory performance. When Dell Fault Resilient Mode (FRM) is enabled, a percentage of the total installed memory is configured to create a fault resilient zone starting from lowest system memory address for use by select hypervisors for host virtualization resilience. Specify the FRM percentage by using the Fault Resilient Mode Memory Size[%] feature. When Dell NUMA Fault Resilient Mode (FRM) is enabled, a percentage of the installed memory in every NUMA node is configured to create a fault resilient zone for use by select hypervisors for host virtualization resilience. Specify the FRM percentage by using the Fault Resilient Mode Memory Size[%] feature. |
| Current State of Memory Operating Mode | Specifies the current state of the memory operating mode. |
| Fault Resilient Mode Memory Size[%] | Select to define the percent of total memory size that must be used by the fault resilient mode, when selected in the Memory Operating mode. When Fault Resilient Mode is not selected, this option is grayed out and not used by Fault Resilient Mode. |
| Node Interleaving | Enables or disables the Node interleaving option. Specifies if the Non-Uniform Memory Architecture (NUMA) is supported. If this field is set to Enabled , memory interleaving is supported if a symmetric memory configuration is installed. If the field is set to Disabled , the system supports NUMA (asymmetric) memory configurations. This option is set to Disabled by default. |
| ADDDC Setting | Enables or disables ADDDC Setting feature. When Adaptive Double DRAM Device Correction (ADDDC) is enabled, failing DRAMs are dynamically |

Table 36. Memory Settings details (continued)

| Option | Description |
|--|---|
| | mapped out. When set to Enabled it can impact the system performance under certain workloads. This feature is applicable for x4 DIMMs only. This option is set to Enabled by default. |
| Memory training | <p>When option is set to Fast and memory configuration is not changed, the system uses previously saved memory training parameters to train the memory subsystems and system boot time is also reduced. If memory configuration is changed, the system automatically enables Retrain at Next boot to force one-time full memory training steps, and then go back to Fast afterward.</p> <p>When option is set to Retrain at Next boot, the system performs the force one-time full memory training steps at next power on and boot time is slowed on next boot.</p> <p>When option is set to Enable, the system performs the force full memory training steps on every power on and boot time is slowed on every boot.</p> |
| DIMM Self Healing (Post Package Repair) on Uncorrectable Memory Error | Enables or disables Post Packing Repair (PPR) on uncorrectable memory error. This option is set to Enabled by default. |
| Correctable Error Logging | Enables or disables correctable error logging. This option is set to Disabled by default. |
| Memory Map Out | This option controls DIMMs slots on the system. This option is set to Enabled by default. It allows to disable system installed DIMMs. |

Processor Settings

To view the **Processor Settings** screen, power on the system, press F2, and click **System Setup Main Menu > System BIOS > Processor Settings**.

Table 37. Processor Settings details

| Option | Description |
|-------------------------------|---|
| Logical Processor | Each processor core supports up to two logical processors. If this option is set to Enabled , the BIOS displays all the logical processors. If this option is set to Disabled , the BIOS displays only one logical processor per core. This option is set to Enabled by default. |
| CPU Interconnect Speed | <p>Enables you to govern the frequency of the communication links among the processors in the system.</p> <p>NOTE: The standard and basic bin processors support lower link frequencies.</p> <p>The options available are Maximum data rate, 16 GT/s, 14.4 GT/s, and 12.8 GT/s. This option is set to Maximum data rate by default.</p> <p>Maximum data rate indicates that the BIOS runs the communication links at the maximum frequency supported by the processors. You can also select specific frequencies that the processors support, which can vary.</p> <p>For best performance, you should select Maximum data rate. Any reduction in the communication link frequency affects the performance of non-local memory access and cache coherency traffic. In addition, it can slow access to non-local I/O devices from a particular processor.</p> |

Table 37. Processor Settings details (continued)

| Option | Description |
|-------------------------------------|--|
| | However, if power saving considerations outweigh performance, reduce the frequency of the processor communication links. Before reducing the frequency, you must localize the memory and I/O access to the nearest NUMA node to minimize the impact to system performance. |
| Virtualization Technology | Enables or disables the virtualization technology for the processor. This option is set to Enabled by default. |
| Kernel DMA Protection | This option is set to Disabled by default. When option is set to Enabled , BIOS and Operating System will enable direct memory access protection for DMA capable peripheral devices using virtualization technology. |
| Directory Mode | Enables or disables the directory mode. This option is set to Enabled by default. |
| Adjacent Cache Line Prefetch | Optimizes the system for applications that need high utilization of sequential memory access. This option is set to Enabled by default. You can disable this option for applications that need high utilization of random memory access. |
| Hardware Prefetcher | Enables or disables the hardware prefetcher. This option is set to Enabled by default. |
| DCU Streamer Prefetcher | Enables or disables the Data Cache Unit (DCU) streamer prefetcher. This option is set to Enabled by default. |
| DCU IP Prefetcher | Enables or disables the Data Cache Unit (DCU) IP prefetcher. This option is set to Enabled by default. |
| Sub NUMA Cluster | Enables or disables the Sub NUMA Cluster. This option is set to Disabled by default. |
| MADT Core Enumeration | Specifies the MADT Core Enumeration. This option is set to default in Round Robin . Linear option supports industry core enumeration whereas, Round Robin option supports Dell optimized core enumeration. |
| UMA Based Clustering | It is a read-only field and displays as Quadrant , when Sub NUMA Cluster is disabled or displays as Disabled , when Sub NUMA Cluster is either 2-way or 4-way. |
| UPI Prefetch | Enables you to get the memory read started early on DDR bus. The Ultra Path Interconnect (UPI) Rx path spawns the speculative memory that is read to Integrated Memory Controller (iMC) directly. This option is set to Enabled by default. |
| XPT Prefetch | This option is set to Enabled by default. |
| LLC Prefetch | Enables or disables the LLC Prefetch on all threads. This option is set to Enabled by default. |
| Dead Line LLC Alloc | Enables or disables the Dead Line LLC Alloc. This option is set to Enabled by default. You can enable this option to enter the dead lines in LLC or disable the option to not enter the dead lines in LLC. |
| Directory AtoS | Enables or disables the Directory AtoS. AtoS optimization reduces remote read latencies for repeat read accesses without intervening writes. This option is set to Disabled by default. |
| AVX P1 | Enables you to reconfigure the processor Thermal Design Power (TDP) levels during POST based on the power and thermal delivery capabilities of the system. TDP verifies the maximum |

Table 37. Processor Settings details (continued)

| Option | Description |
|---------------------------------------|--|
| | heat the cooling system is must dissipate. This option is set to Normal by default. ⓘ NOTE: This option is only available on certain stock keeping units (SKUs) of the processors. |
| Intel SST-BF | Enables Intel SST-BF. This option is displayed if Performance Per Watt (operating system) or Custom (when OSPM is enabled) system profiles are selected. This option is set to Disabled by default. |
| Intel SST-CP | Enables Intel SST-CP. This option is displayed if Performance Per Watt (operating system) or Custom (when OSPM is enabled) system profiles are selected. This option is displayed and selectable for each system profile mode. This option is set to Disabled by default. |
| x2APIC Mode | Enables or disables x2APIC mode. This option is set to Enabled by default. ⓘ NOTE: For two processors 64 cores configuration, x2APIC mode is not switchable if 256 threads are enabled (BIOS settings: All CCD, cores, and logical processors enabled). |
| AVX ICCP Pre-Grant License | Enables or disables AVX ICCP Pre-Grant License. This option is set to Disabled by default. |
| Dell Controlled Turbo | |
| Dell Controlled Turbo Settings | Controls the turbo engagement. Enable this option only when System Profile is set to Performance or Custom , and CPU Power Management is set to Performance . This item can be selected for each system profile mode. This option is set to Disabled by default. ⓘ NOTE: Depending on the number of installed processors, there might be up to two processor listings. |
| Dell AVX Scaling Technology | Enables you to configure the Dell AVX scaling technology. This option is set to 0 by default. Enter the value from 0 to 12 bins. The value that is entered decreases the Dell AVX Scaling Technology frequency when the Dell-controlled Turbo feature is enabled. |
| Optimizer Mode | Enables or disables the CPU performance. When this option is set to Auto , set the CPU Power Management to Max Performance. When set to Enabled , enables the CPU Power Management settings. When set to Disabled , the CPU Power Management option is disabled. This option is set to Auto by default. |
| Number of Cores per Processor | Controls the number of enabled cores in each processor. This option is set to All by default. |
| CPU Physical Address Limit | Limit CPU physical address to 46 bits to support older Hyper-V. If enabled, automatically disables TME-MT. This option is set to Enabled by default. |
| AMP Prefetch | This option enables one of the Mid-Level Cache (MLC) AMP hardware Prefetcher. This option is set to Disabled by default. |
| Homeless Prefetch | This option allows L1 Data Cache Unit (DCU) to prefetch, when the Fill Buffers (FB) is full. Auto maps to hardware default setting. This option is set to Auto by default. |
| Uncore Frequency RAPL | This setting controls whether the Running Average Power Limit (RAPL) balancer is enabled or not. If enabled, it activates the |

Table 37. Processor Settings details (continued)

| Option | Description |
|--------------------------------------|---|
| | uncore power budgeting. This option is set to Enabled by default. |
| Processor Core Speed | Specifies the maximum core frequency of the processor. |
| Processor Bus Speed | Specifies the bus speed of the processor. <i>i</i> NOTE: The processor bus speed option displays only when both processors are installed. |
| Local Machine Check Exception | Enables or disables the local machine check exception. This is an extension of the MCA Recovery mechanism providing the capability to deliver Uncorrected Recoverable (UCR) Software Recoverable Action Required (SRAR) errors to one or more specific logical processors threads receiving previously poisoned or corrupted data. When enabled, the UCR SRAR Machine Check Exception is delivered only to the affected thread rather than broadcast to all threads in the system. The feature supports operating system recovery for cases of multiple recoverable faults that are detected close, which would otherwise result in a fatal machine check event. The feature is available only on Advanced RAS processors. This option is set to Enabled by default. |
| CPU Crash Log Support | This field controls Intel CPU Crash Log feature for collection of previous crash data from shared SRAM of Out-of-Band Management Services Module at post reset. This option is set to Disabled by default. |
| UPI3 Link Control | Set the value of UPI3 which is the QPI Link Control for the CPU's. This field is provided due to CPU issue of crosstalk from UPI Port3 affecting lane 0 Rx margins of PCIe Port3 (PE3) when operating at Gen5 Speed. Disabled - Disables UPI3 link and allow the PE3 port A to reach Gen 5 speed (32GT/s). Enabled - Enables UPI3 link and limit the PE3 port A to Gen4 speed (16GT/s). <i>i</i> NOTE: This option is dynamically shown or hidden due to CPU constraint. |
| Processor n | <i>i</i> NOTE: Depending on the number of processors, there might be up to n processors listed. The following settings are displayed for each processor: |

Table 38. Processor n details

| Option | Description |
|------------------------------|---|
| Family-Model-Stepping | Specifies the family, model, and stepping of the processor as defined by Intel. |
| Brand | Specifies the brand name. |
| Level 2 Cache | Specifies the total L2 cache. |
| Level 3 Cache | Specifies the total L3 cache. |
| Number of Cores | Specifies the number of cores per processor. |
| Microcode | Specifies the processor microcode version. |

SATA Settings

To view the **SATA Settings** screen, power on the system, press F2, and click **System Setup Main Menu > System BIOS > SATA Settings**.

Table 39. SATA Settings details

| Option | Description |
|-----------------------------|---|
| Embedded SATA | Enables the embedded SATA option to be set to Off , AHCI mode , or RAID mode . This option is set to AHCI Mode by default. NOTE: <ol style="list-style-type: none"> 1. You might also need to change the Boot Mode setting to UEFI. Otherwise, you should set the field to Non-RAID mode. 2. No ESXi and Ubuntu OS support under RAID mode. |
| Security Freeze Lock | Sends Security Freeze Lock command to the embedded SATA drives during POST. This option is applicable only for AHCI Mode. This option is set to Enabled by default. |
| Write Cache | Enables or disables the command for the embedded SATA drives during POST. This option is applicable only for AHCI Mode. This option is set to Disabled by default. |

NVMe Settings

This option sets the NVMe drive mode. If the system contains NVMe drives that you want to configure in a RAID array, you must set both this field and the Embedded SATA field on the SATA settings menu to RAID Mode. You may also need to change the Boot Mode setting to UEFI.

To view the **NVMe Settings** screen, power on the system, press F2, and click **System Setup Main Menu > System BIOS > NVMe Settings**.

Table 40. NVMe Settings details

| Option | Description |
|-------------------------|--|
| NVMe mode | Enables or disables the boot mode. The option is set to Non-RAID mode by default. |
| BIOS NVMe Driver | Sets the drive type to boot the NVMe driver. The available options are Dell Qualified Drives and All Drives . This option is set to Dell Qualified Drives by default. |

Boot Settings

You can use the **Boot Settings** screen to set the boot mode to either **BIOS** or **UEFI**. It also enables you to specify the boot order. The **Boot Settings** only support **UEFI** mode.

- **UEFI:** The Unified Extensible Firmware Interface (UEFI) is a new interface between operating systems and platform firmware. The interface consists of data tables with platform related information, boot and runtime service calls that are available to the operating system and its loader. The following benefits are available when the **Boot Mode** is set to **UEFI**:
 - Support for drive partitions larger than 2 TB.
 - Enhanced security (e.g., UEFI Secure Boot).
 - Faster boot time.

NOTE: You must use only the UEFI boot mode in order to boot from NVMe drives.

- **BIOS:** The **BIOS Boot Mode** is the legacy boot mode. It is maintained for backward compatibility.

To view the **Boot Settings** screen, power on the system, press F2, and click **System Setup Main Menu > System BIOS > Boot Settings**.

Table 41. Boot Settings details

| Option | Description |
|------------------|--|
| Boot Mode | Enables you to set the boot mode of the system. If the operating system supports UEFI, you can set this option to UEFI. Setting this field to BIOS allows compatibility with non-UEFI operating systems. This option is set to UEFI by default. |

Table 41. Boot Settings details (continued)




| Option | Description |
|--|--|
| | <p> CAUTION: Switching the boot mode may prevent the system from booting if the operating system is not installed in the same boot mode.</p> <p> NOTE: Setting this field to UEFI disables the BIOS Boot Settings menu.</p> |
| Boot Sequence Retry | Enables or disables the Boot sequence retry feature or resets the system. When this option is set to Enabled and the system fails to boot, the system re-attempts the boot sequence after 30 seconds. When this option is set to Reset and the system fails to boot, the system reboots immediately. This option is set to Enabled by default. |
| Hard-disk Failover | Enables or disables the Hard-disk failover. This option is set to Disabled by default. |
| Generic USB Boot | Enables or disables the generic USB boot placeholder. This option is set to Disabled by default. |
| Hard-disk Drive Placeholder | Enables or disables the Hard-disk drive placeholder. This option is set to Disabled by default. |
| Clean all Sysprep variables and order | When this option is set to None , BIOS will do nothing. When set to Yes , BIOS will delete variables of SysPrep #### and SysPrepOrder this option is a onetime option, will reset to none when deleting variables. This setting is only available in UEFI Boot Mode . This option is set to None by default. |
| UEFI Boot Settings | Specifies the UEFI boot sequence. Enables or disables UEFI Boot options.  NOTE: This option controls the UEFI boot order. The first option in the list will be attempted first. |

Table 42. UEFI Boot Settings


| Option | Description |
|------------------------------------|--|
| UEFI Boot Sequence | Enables you to change the boot device order. |
| Boot Options Enable/Disable | Enables you to select the enabled or disabled boot devices |

Choosing system boot mode


System Setup enables you to specify one of the following boot modes for installing your operating system:


- UEFI boot mode (the default), is an enhanced 64-bit boot interface. If you have configured your system to boot to UEFI mode, it replaces the system BIOS.

1. From the **System Setup Main Menu**, click **Boot Settings**, and select **Boot Mode**.
2. Select the UEFI boot mode you want the system to boot into.

 **CAUTION:** Switching the boot mode may prevent the system from booting if the operating system is not installed in the same boot mode.

3. After the system boots in the specified boot mode, proceed to install your operating system from that mode.

 **NOTE:** Operating systems must be UEFI-compatible to be installed from the UEFI boot mode. DOS and 32-bit operating systems do not support UEFI and can only be installed from the BIOS boot mode.

 **NOTE:** For the latest information about supported operating systems, go to www.dell.com/ossupport.

Changing boot order


About this task

You may have to change the boot order if you want to boot from a USB key or an optical drive. The following instructions may vary if you have selected **BIOS** for **Boot Mode**.

 **NOTE:** Changing the drive boot sequence is only supported in BIOS boot mode.

Steps

1. On the **System Setup Main Menu** screen, click **System BIOS > Boot Settings > UEFI Boot Settings > UEFI Boot Sequence**.
2. Use the arrow keys to select a boot device, and use the plus (+) and minus (-) sign keys to move the device down or up in the order.
3. Click **Exit**, and then click **Yes** to save the settings on exit.

 **NOTE:** You can also enable or disable boot order devices as needed.

Network Settings

To view the **Network Settings** screen, power on the system, press F2, and click **System Setup Main Menu > System BIOS > Network Settings**.


 **NOTE:** Network Settings are not supported in BIOS boot mode.

Table 43. Network Settings details

| Option | Description |
|--|---|
| UEFI PXE Settings | Enables you to control the configuration of the UEFI PXE device. |
| Number of PXE Devices | This field specifies the number of PXE devices. This option is set to 4 by default. |
| PXE Device n (n = 1 to 4) | Enables or disables the device. When enabled, a UEFI PXE boot option is created for the device. |
| PXE Device n Settings (n = 1 to 4) | Enables you to control the configuration of the PXE device. |
| UEFI HTTP Settings | Enables you to control the configuration of the UEFI HTTP device. |
| HTTP Device n (n = 1 to 4) | Enables or disables the device. When enabled, a UEFI HTTP boot option is created for the device. |
| HTTP Device n Settings (n = 1 to 4) | Enables you to control the configuration of the HTTP device. |
| UEFI iSCSI Settings | Enables you to control the configuration of the iSCSI device. |
| iSCSI Initiator Name | Specifies the name of the iSCSI initiator in IQN format. |
| iSCSI Device1 | Enables or disables the iSCSI device. When enabled, a UEFI boot option is created for the iSCSI device automatically. This is set to Disabled by default. |
| iSCSI Device1 Settings | Enables you to control the configuration of the iSCSI device. |
| UEFI NVMe-oF Settings | Enables you to control the configuration of the NVMe-oF devices. |
| NVMe-oF | Enables or disables the NVMe-oF feature. When enabled, it allows to configure the host and target parameters needed for fabric connection. This is set to Disabled by default. |
| NVMe-oF Host NQN | This field specifies the name of the NVMe-oF host NQN. Allowed input is in the following format: nqn.yyyy-mm.<Reserved Domain Name>:<Unique String>. Leave it empty to use system generated value with following format: nqn.1988-11.com.dell:<Model name>.<Model number>.<Service Tag>. |
| NVMe-oF Host Id | This field specifies a 16 bytes value of the NVMe-oF host identifier that uniquely identifies this host with the controller in the NVM subsystem. Allowed input is a hexadecimal-encoded string in this format: 00112233-4455-6677-8899-aabbccddeeff. Leave it empty to use system generated value. A value of all FF is not allowed. |
| Host Security Key Path | This field specifies the Host security key path. |

Table 43. Network Settings details (continued)

| Option | Description |
|-----------------------------------|---|
| NVMe-oF SubSystem Settings | This field controls the parameters for the NVMe-oF subsystem n connections. |

Table 44. PXE Device n Settings details

| Option | Description |
|----------------------|--|
| Interface | Specifies NIC interface used for the PXE device. |
| Protocol | Specifies Protocol used for PXE device. This option is set to IPv4 or IPv6 . This option is set to IPv4 by default. |
| Vlan | Enables Vlan for PXE device. This option is set to Enabled or Disabled . This option is set to Disabled by default. |
| Vlan ID | Shows the Vlan ID for the PXE device |
| Vlan Priority | Shows the Vlan Priority for the PXE device. |

Table 45. HTTP Device n Settings details

| Option | Description |
|---|---|
| Interface | Specifies NIC interface used for the HTTP device. |
| Protocol | Specifies Protocol used for HTTP device. This option is set to IPv4 or IPv6 . This option is set to IPv4 by default. |
| Vlan | Enables Vlan for HTTP device. This option is set to Enable or Disable . This option is set to Disable by default. |
| Vlan ID | Shows the Vlan ID for the HTTP device |
| Vlan Priority | Shows the Vlan Priority for the HTTP device. |
| DHCP | Enables or disables DHCP for this HTTP device. This option is set to Enabled by default. |
| IP Address | Specifies IP address for the HTTP device. |
| Subnet Mask | Specifies subnet mask for the HTTP device. |
| Gateway | Specifies gateway for the HTTP device. |
| DNS info via DHCP | Enables or disables DNS Information from DHCP. This option is set to Enabled by default. |
| Primary DNS | Specifies the primary DNS server IP address for the HTTP Device. |
| Secondary DNS | Specifies the secondary DNS server IP address for the HTTP Device. |
| URI | Obtain URI from the DHCP server if not specified |
| TLS Authentication Configuration | Specifies the option for TLS authentication configuration. |

Table 46. iSCSI Device1 Settings screen details

| Option | Description |
|------------------------------|---|
| Connection 1 | Enables or disables the iSCSI connection. This option is set to Disabled by default. |
| Connection 2 | Enables or disables the iSCSI connection. This option is set to Disabled by default. |
| Connection 1 Settings | Enables you to control the configuration for the iSCSI connection. |
| Connection 2 Settings | Enables you to control the configuration for the iSCSI connection. |
| Connection Order | Enables you to control the order for which the iSCSI connections will be attempted. |

Table 47. TLS Authentication Configuration screen details

| Option | Description |
|---------------------------------------|---|
| TLS Authentication Mode | View or modify the device's boot TLS Authentication Mode. This option is set to One Way by default. None means the HTTP server and the client will not authenticate each other for this boot. |
| Root Certificate Configuration | Import, delete, or export the root certificate. |

Table 48. NVMe-oF SubSystem Settings screen details

| Option | Description |
|--|--|
| NVMe-oF SubSystem n (n = 1 to 4) | Enables or disables NVMe-oF SubSystem. This option is set to Disabled by default. |
| NVMe-oF SubSystem n Settings (n = 1 to 4) | Enables you to control the configuration of the NVMe-oF SubSystem, if Enabled . |

Table 49. NVMe-oF SubSystem n Settings

| Option | Description |
|--|--|
| Interface | NIC interface used for NVMe-oF connections. This option is set to Embedded NIC 1 Port 1 Partition 1 by default. |
| Transport Type | This field sets the value of transport type for NVMe-oF connection. This option is set to TCP by default. |
| Protocol | This field sets the value of protocol type for NVMe-oF connection. This option is set to IPv4 by default. |
| VLAN | Enables or disables VLAN for this NVMe-oF connections. This option is set to Disabled by default. |
| VLAN Id | Specifies the VLAN Id for this NVMe-oF connection. This option is set to 1 by default. |
| VLAN Priority | Specifies the VLAN priority for this NVMe-oF connection. This option is set to 0 by default. |
| Retry Count | Specifies the retry count for this NVMe-oF connection. This option is set to 3 by default. |
| Timeout | Specifies the timeout for this NVMe-oF connection. This option is set to 10000 by default. |
| DHCP | Enables and disables the DHCP for this NVMe-oF connection. This option is set to Disabled by default. |
| Host IP Address | Specifies the Host IP Address for this NVMe-oF connection. |
| Host Subnet Mask | Specifies the Host Subnet Mask for this NVMe-oF connection. |
| Host Gateway | Specifies the Host Gateway for this NVMe-oF connection. |
| NVMe-oF subsystem info via DHCP | Enables and disables the NVMe-oF subsystem's DHCP for this connection. This option is set to Disabled by default. |
| NVMe-oF subsystem NQN | Specifies the NVMe-oF subsystem's NQN for this connection. |
| NVMe-oF subsystem Address | Specifies the NVMe-oF subsystem's IP address for this connection. |
| NVMe-oF subsystem Port | Specifies the NVMe-oF subsystem's port for this connection. This option is set to 4420 by default. |
| NVMe-oF subsystem NID | Specifies the NamespaceID (NID) for this NVMe-oF connection. |
| NVMe-oF subsystem Controller ID | Specifies the NVMe-oF subsystem's Controller ID for this connection. This option is set to 0 by default. |

Table 49. NVMe-oF SubSystem n Settings (continued)

| Option | Description |
|----------------------------|--|
| Security | Enables or disables the security option for this NVMe-oF connection. This option is set to Disabled by default. |
| Authentication Type | Specifies the authentication type for this NVMe-oF connection. This option is set to None by default. |
| Securitykeypath | Specifies the Securitykeypath for this NVMe-oF connection. |

Integrated Devices

To view the **Integrated Devices** screen, power on the system, press F2, and click **System Setup Main Menu > System BIOS > Integrated Devices**.

Table 50. Integrated Devices details

| Option | Description |
|-----------------------------------|--|
| User Accessible USB Ports | Configures the user accessible USB ports. Selecting Only Back Ports On disables the front USB ports; selecting All Ports Off disables all front and back USB ports; selecting All Ports Off (Dynamic) disables all front and back USB ports during POST, and front ports can be enabled or disabled dynamically by authorized user without resetting the system. This option is set to All Ports On by default. |
| | The USB keyboard and mouse still function in certain USB ports during the boot process, depending on the selection. After the boot process is complete, the USB ports will be enabled or disabled as per the setting. |
| iDRAC Direct USB Port | The iDRAC Direct USB port is managed by iDRAC exclusively with no host visibility. This option is set to ON or OFF . When set to OFF , iDRAC does not detect any USB devices installed in this managed port. This option is set to On by default. |
| Embedded NIC1 and NIC2 | Enables or disables the OS interface of the Embedded NIC1 and NIC2 controller. If set to Disabled (OS) , the NIC may still be available for shared network access by the embedded management controller. Configure the Embedded NIC1 and NIC2 option by using the NIC management utilities of the system. This option is set to Enabled by default. |
| I/OAT DMA Engine | Enables or disables the I/O Acceleration Technology (I/OAT) option. I/OAT is a set of DMA features designed to accelerate network traffic and lower CPU utilization. Enable only if the hardware and software support the feature. This option is set to Disabled by default. |
| Embedded Video Controller | Enables or disables the use of Embedded Video Controller as the primary display. When set to Enabled , the Embedded Video Controller will be the primary display even if add-in graphic cards are installed. When set to Disabled , an add-in graphics card is used as the primary display. BIOS will output displays to both the primary add-in video and the embedded video during POST and preboot environment. The embedded video will then be disabled right before the operating system boots. This option is set to Enabled by default. <i>NOTE:</i> When there are multiple add-in graphic cards installed in the system, the first card discovered during PCI enumeration is selected as the primary video. You might have to rearrange the cards in the slots in order to control which card is the primary video. |
| I/O Snoop HoldOff Response | Selects the number of cycles PCI I/O can withhold snoop requests, from the CPU, to allow time to complete its own write to LLC. This setting can help improve performance on workloads where throughput and latency are critical. The options available are 256 Cycles , 512 Cycles , 1K Cycles , 2K Cycles , |

Table 50. Integrated Devices details (continued)

| Option | Description |
|---|---|
| | 4K Cycles, 8K Cycles, 16K Cycles, 32K Cycles, 64K Cycles and 128K Cycles . This option is set to 2K Cycles by default. |
| Current State of Embedded Video Controller | Displays the current state of the embedded video controller. The Current State of Embedded Video Controller option is a read-only field. If the Embedded Video Controller is the only display capability in the system (that is, no add-in graphics card is installed), then the Embedded Video Controller is automatically used as the primary display even if the Embedded Video Controller setting is set to Disabled . |
| SR-IOV Global Enable | Enables or disables the BIOS configuration of Single Root I/O Virtualization (SR-IOV) devices. This option is set to Disabled by default. |
| OS Watchdog Timer | If your system stops responding, this watchdog timer aids in the recovery of your operating system. When this option is set to Enabled , the operating system initializes the timer. When this option is set to Disabled (the default), the timer does not have any effect on the system. |
| Empty Slot Unhide | Enables or disables the root ports of all the empty slots that are accessible to the BIOS and operating system. This option is set to Disabled by default. |
| Slot Disablement | Enables or disables or boot driver disables the available PCIe slots on your system. The slot disablement feature controls the configuration of the PCIe cards installed in the specified slot. Slots must be disabled only when the installed peripheral card prevents booting into the operating system or causes delays in system startup. If the slot is disabled, both the Option ROM and UEFI drivers are disabled. Only slots that are present on the system will be available for control. When this option is set to boot driver disabled, both the Option ROM and UEFI driver from the slot will not run during POST. The system will not boot from the card and its pre-boot services will not be available. However, the card is available to the operating system. Slot n: Enables or disables or only the boot driver is disabled for the PCIe slot n. This option is set to Enabled by default. |
| Slot Bifurcation | Auto Discovery Bifurcation Settings allows Platform Default Bifurcation, Auto Discovery of Bifurcation, and Manual bifurcation Control . This option is set to Platform Default Bifurcation by default. The slot bifurcation field is accessible when set to Manual bifurcation Control and is grayed out when set to Platform Default Bifurcation and Auto Discovery of Bifurcation . i NOTE: The slot bifurcation supports on PCIe slot only, does not support slot type from Paddle card to Riser and Slimline connector to Riser. |

Serial Communication

To view the **Serial Communication** screen, power on the system, press F2, and click **System Setup Main Menu > System BIOS > Serial Communication**.

i **NOTE:** The serial port is optional for the PowerEdge R760xa system. The Serial Communication option is applicable only if the serial COM port is installed in the system.

Table 51. Serial Communication details

| Option | Description |
|-----------------------------|--|
| Serial Communication | Enables the serial communication options. Selects serial communication devices (Serial Device 1 and Serial Device 2) in BIOS. BIOS console redirection can also be enabled, and the port address can be specified. The options available for System without serial COM port (DB9) are On without Console Redirection . |

Table 51. Serial Communication details (continued)

| Option | Description |
|----------------------------------|---|
| | On with Console Redirection, Off, Auto. This option is set to Auto by default. |
| Serial Port Address | Enables you to set the port address for serial devices. This option is set to either COM1 or COM2 for the serial device (COM1=0x3F8,COM2=0x2F8) and set to COM1 by default. <i>i</i> NOTE: You can use only Serial Device 2 for the Serial Over LAN (SOL) feature. To use console redirection by SOL, configure the same port address for console redirection and the serial device. <i>i</i> NOTE: Every time the system boots, the BIOS syncs the serial MUX setting that is saved in iDRAC. The serial MUX setting can independently be changed in iDRAC. Loading the BIOS default settings from within the BIOS setup utility may not always revert the serial MUX setting to the default setting of Serial Device 1. |
| External Serial Connector | Enables you to associate the External Serial Connector to Serial Device 1, Serial Device 2, or the Remote Access Device by using this option. This option is set to Serial Device 1 by default. <i>i</i> NOTE: Only Serial Device 2 can be used for Serial Over LAN (SOL). To use console redirection by SOL, configure the same port address for console redirection and the serial device. <i>i</i> NOTE: Every time the system boots, the BIOS syncs the serial MUX setting saved in iDRAC. The serial MUX setting can independently be changed in iDRAC. Loading the BIOS default settings from within the BIOS setup utility may not always revert this setting to the default setting of Serial Device 1. |
| Failsafe Baud Rate | Specifies the failsafe baud rate for console redirection. The BIOS attempts to determine the baud rate automatically. This failsafe baud rate is used only if the attempt fails, and the value must not be changed. This option is set to 115200 by default. |
| Remote Terminal Type | Sets the remote console terminal type. This option is set to VT100/VT220 by default. |
| Redirection After Boot | Enables or disables the BIOS console redirection when the operating system is loaded. This option is set to Enabled by default. |

System Profile Settings

To view the **System Profile Settings** screen, power on the system, press F2, and click **System Setup Main Menu > System BIOS > System Profile Settings**.

Table 52. System Profile Settings details

| Option | Description |
|-----------------------------|--|
| System Profile | Sets the system profile. If you set the System Profile option to a mode other than Performance Per Watt (DAPC) , the BIOS automatically sets the rest of the options. You can only change the rest of the options if the mode is set to Custom . This option is set to Performance Per Watt (DAPC) by default. Other options include Custom, Performance, Performance Per Watt (OS) and Workstation Performance . <i>i</i> NOTE: All the parameters on the system profile setting screen are available only when the System Profile option is set to Custom . |
| CPU Power Management | Sets the CPU power management. This option is set to System DBPM (DAPC) by default. Other option includes Maximum Performance, OS DBPM . |

Table 52. System Profile Settings details (continued)

| Option | Description |
|---|--|
| Memory Frequency | Sets the speed of the system memory. You can select Maximum Performance , Maximum Reliability or a specific speed. This option is set to Maximum Performance by default. |
| Turbo Boost | Enables or disables the processor to operate in the turbo boost mode. This option is set to Enabled by default. |
| Energy Efficient Turbo | Energy Efficient Turbo (EET) is a mode of operation where a processor's core frequency is adjusted within the turbo range based on workload. This option is set to Enabled by default. |
| C1E | Enables or disables the processor to switch to a minimum performance state when it is idle. This option is set to Enabled by default. |
| C States | Enables or disables the processor to operate in all available power states. C States allow the processor to enter lower power states when idle. When set to Enabled (OS controlled) or when set to Autonomous (if hardware controlled is supported), the processor can operate in all available Power States to save power, but may increase memory latency and frequency jitter. This option is set to Enabled by default. |
| Memory Patrol Scrub | Sets the memory patrol scrub mode. This option is set to Standard by default. |
| Memory Refresh Rate | Sets the memory refresh rate to either 1x or 2x. This option is set to 1x by default. |
| Uncore Frequency | Enables you to select the Uncore Frequency option. Dynamic mode enables the processor to optimize power resources across cores and uncores during runtime. The optimization of the uncore frequency to either save power or optimize performance is influenced by the setting of the Energy Efficient Policy option. |
| Energy Efficient Policy | Enables you to select the Energy Efficient Policy option. The CPU uses the setting to manipulate the internal behavior of the processor and determines whether to target higher performance or better power savings. This option is set to Balanced Performance by default. |
| Monitor/Mwait | Enables the Monitor/Mwait instructions in the processor. This option is set to Enabled for all system profiles, except Custom by default. <i>i</i> NOTE: This option can be disabled when System Profile is set to Custom . <i>i</i> NOTE: When C-states is set to Enabled in the Custom mode, changing the Monitor/Mwait setting does not impact the system power or performance. |
| Workload Profile | This option allows the user to specify the targeted workload of a server. It allows optimization of performance based on the workload type. This option is set to Not Configured by default. |
| CPU Interconnect Bus Link Power Management | Enables or disables the CPU Interconnect Bus Link Power Management. This option is set to Enabled by default. |
| PCI ASPM L1 Link Power Management | Enables or disables the PCI ASPM L1 Link Power Management . This option is set to Enabled by default. |

System Security

To view the **System Security** screen, power on the system, press F2, and click **System Setup Main Menu > System BIOS > System Security**.

Table 53. System Security details

| Option | Description |
|------------------------|---|
| CPU AES-NI | Improves the speed of applications by performing encryption and decryption by using the Advanced Encryption Standard Instruction Set (AES-NI). This option is set to Enabled by default. |
| System Password | Sets the system password. This option is set to Enabled by default and is read-only if the password jumper is not installed in the system. |

Table 53. System Security details (continued)

| Option | Description |
|-----------------|--|
| Setup Password | Sets the setup password. This option is read-only if the password jumper is not installed in the system. |
| Password Status | Locks the system password. This option is set to Unlocked by default. |
| TPM Information | Indicates the type of Trusted Platform Module, if present. |

Table 54. TPM 2.0 security information


| Option | Description |
|------------------------|--|
| TPM Information | |
| TPM Security |  NOTE: The TPM menu is available only when the TPM module is installed. |
| | Enables you to control the reporting mode of the TPM. When set to Off, the presence of the TPM is not reported to the OS. When set to On, the presence of the TPM is reported to the OS. The TPM Security option is set to Off by default. |
| | When TPM 2.0 is installed, the TPM Security option is set to On or Off . This option is set to Off by default. |
| TPM Information | Indicates the type of Trusted Platform Module, if present. |
| TPM Firmware | Indicates the firmware version of the TPM. |
| TPM Hierarchy | Enables, disables, or clears the storage and endorsement hierarchies. When set to Enabled , the storage and endorsement hierarchies can be used. |
| | When set to Disabled , the storage and endorsement hierarchies cannot be used. |
| | When set to Clear , the storage and endorsement hierarchies are cleared of any values, and then reset to Enabled . |
| TPM Advanced Settings | Specifies TPM Advanced Settings details. |

Table 55. System Security details

| Option | Description |
|-----------------------|---|
| Intel(R) TXT | Enables you to set the Intel Trusted Execution Technology (TXT) option. To enable the Intel TXT option, virtualization technology and TPM Security must be enabled with Pre-boot measurements. This option is set to Off by default. It is set On for Secure Launch (Firmware Protection) support on Windows 2022. |
| Memory Encryption | Enables or disables the Intel Total Memory Encryption (TME) and Multi-Tenant (Intel® TME-MT). When option is set to Disabled , BIOS disables both TME and MK-TME technology. When option is set to Single Key BIOS enables the TME technology. When option is set to Multiple Keys , BIOS enables the TME-MT technology. This option is set to Disabled by default. |
| TME Encryption Bypass | Allows the option to bypass the Intel Total Memory Encryption. This option is set to Disabled by default. |
| Intel(R) SGX | Enables you to set the Intel Software Guard Extension (SGX) option. To enable the Intel SGX option, processor must be SGX capable, memory population must be compatible (minimum x8 identical DIMM1 to DIMM8 per CPU socket, memory operating mode must be set at optimizer mode, memory encryption must be enabled and node interleaving must be disabled. This option is set to Off by default. When this option is to Off , BIOS disables the SGX technology. When this option is to On , BIOS enables the SGX technology. |
| Power Button | Enables or disables the power button on the front of the system. This option is set to Enabled by default. |

Table 55. System Security details (continued)

| Option | Description |
|--|---|
| AC Power Recovery | Sets how the system behaves after AC power is restored to the system. This option is set to Last by default. i NOTE: The host system will not power on up until iDRAC Root of Trust (RoT) is completed, host power on will be delayed by minimum 90 seconds after the AC applied. |
| AC Power Recovery Delay | Sets the time delay for the system to power up after AC power is restored to the system. This option is set to Immediate by default. When this option is set to Immediate , there is no delay for power up. When this option is set to Random , the system creates a random delay for power up. When this option is set to User Defined , the system delay time is manually to power up. |
| User Defined Delay (120 s to 600 s) | Sets the User Defined Delay option when the User Defined option for AC Power Recovery Delay is selected. The actual AC recovery time needs to add iDRAC root of trust time (around 50 seconds). |
| UEFI Variable Access | Provides varying degrees of securing UEFI variables. When set to Standard (the default), UEFI variables are accessible in the operating system per the UEFI specification. When set to Controlled , selected UEFI variables are protected in the environment and new UEFI boot entries are forced to be at the end of the current boot order. |
| In-Band Manageability Interface | When set to Disabled , this setting hides the Management Engine's (ME), HECI devices, and the system's IPMI devices from the operating system. This prevents the operating system from changing the ME power capping settings, and blocks access to all in-band management tools. All management should be managed through out-of-band. This option is set to Enabled by default. i NOTE: BIOS update requires HECI devices to be operational and DUP updates require IPMI interface to be operational. This setting needs to be set to Enabled to avoid updating errors. |
| SMM Security Mitigation | Enables or disables the UEFI SMM security mitigation protections. It is set to Disabled by default. |
| Secure Boot | Enables Secure Boot, where the BIOS authenticates each pre-boot image by using the certificates in the Secure Boot Policy. Secure Boot is set to Disabled by default. |
| Secure Boot Policy | When Secure Boot policy is set to Standard , the BIOS uses the system manufacturer's key and certificates to authenticate pre-boot images. When Secure Boot policy is set to Custom , the BIOS uses the user-defined key and certificates. Secure Boot policy is set to Standard by default. |
| Secure Boot Mode | Configures how the BIOS uses the Secure Boot Policy Objects (PK, KEK, db, dbx). If the current mode is set to Deployed Mode , the available options are User Mode and Deployed Mode . If the current mode is set to User Mode , the available options are User Mode , Audit Mode , and Deployed Mode . Below are the details of different boot modes available in the Secure Boot Mode option. User Mode In User Mode , PK must be installed, and BIOS performs signature verification on programmatic attempts to update policy objects. The BIOS allows unauthenticated programmatic transitions between modes. Audit mode In Audit Mode , PK is not present. BIOS does not authenticate programmatic update to the policy objects and transitions between modes. The BIOS performs a signature verification on pre-boot images and logs the results in the image Execution Information Table, but executes the images whether they pass or fail verification. Audit Mode is useful for programmatic determination of a working set of policy objects. |

Table 55. System Security details (continued)

| Option | Description |
|---|---|
| | <p>Deployed Mode Deployed Mode is the most secure mode. In Deployed Mode, PK must be installed and the BIOS performs signature verification on programmatic attempts to update policy objects. Deployed Mode restricts the programmatic mode transitions.</p> |
| Secure Boot Policy Summary | Specifies the list of certificates and hashes that secure boot uses to authenticate images. |
| Secure Boot Custom Policy Settings | Configures the Secure Boot Custom Policy. To enable this option, set the Secure Boot Policy to Custom option. |

Creating a system and setup password

Prerequisites

Ensure that the password jumper is enabled. The password jumper enables or disables the system password and setup password features. For more information, see the System board jumper settings section.

NOTE: If the password jumper setting is disabled, the existing system password and setup password are deleted and you need not provide the system password to boot the system.

Steps

- To enter System Setup, press F2 immediately after turning on or rebooting your system.
- On the **System Setup Main Menu** screen, click **System BIOS > System Security**.
- On the **System Security** screen, verify that **Password Status** is set to **Unlocked**.
- In the **System Password** field, type your system password, and press Enter or Tab.
Use the following guidelines to assign the system password:
 - A password can have up to 32 characters.
 A message prompts you to reenter the system password.
- Reenter the system password, and click **OK**.
- In the **Setup Password** field, type your setup password and press Enter or Tab.
A message prompts you to reenter the setup password.
- Reenter the setup password, and click **OK**.
- Press Esc to return to the System BIOS screen. Press Esc again.
A message prompts you to save the changes.

NOTE: Password protection does not take effect until the system reboots.

Using your system password to secure your system

About this task

If you have assigned a setup password, the system accepts your setup password as an alternate system password.

Steps

- Turn on or reboot your system.
- Type the system password and press Enter.

Next steps

When **Password Status** is set to **Locked**, type the system password and press Enter when prompted at reboot.

NOTE: If an incorrect system password is typed, the system displays a message and prompts you to reenter your password. You have three attempts to type the correct password. After the third unsuccessful attempt, the system displays an error

message that the system has stopped functioning and must be turned off. Even after you turn off and restart the system, the error message is displayed until the correct password is entered.

Deleting or changing system and setup password

Prerequisites

NOTE: You cannot delete or change an existing system or setup password if the **Password Status** is set to **Locked**.

Steps

1. To enter System Setup, press F2 immediately after turning on or restarting your system.
2. On the **System Setup Main Menu** screen, click **System BIOS > System Security**.
3. On the **System Security** screen, ensure that **Password Status** is set to **Unlocked**.
4. In the **System Password** field, alter or delete the existing system password, and then press Enter or Tab.
5. In the **Setup Password** field, alter or delete the existing setup password, and then press Enter or Tab.
If you change the system and setup password, a message prompts you to reenter the new password. If you delete the system and setup password, a message prompts you to confirm the deletion.
6. Press Esc to return to the **System BIOS** screen. Press Esc again, and a message prompts you to save the changes.
7. Select **Setup Password**, change, or delete the existing setup password and press Enter or Tab.

NOTE: If you change the system password or setup password, a message prompts you to reenter the new password. If you delete the system password or setup password, a message prompts you to confirm the deletion.

Operating with setup password enabled

If **Setup Password** is set to **Enabled**, type the correct setup password before modifying the system setup options.

If you do not type the correct password in three attempts, the system displays the following message:

```
Invalid Password! Number of unsuccessful password attempts: <x> System Halted! Must power down.
```

Even after you power off and restart the system, the error message is displayed until the correct password is typed. The following options are exceptions:

- If **System Password** is not set to **Enabled** and is not locked through the **Password Status** option, you can assign a system password. For more information, see the System Security Settings screen section.
- You cannot disable or change an existing system password.

NOTE: You can use the password status option with the setup password option to protect the system password from unauthorized changes.


Redundant OS Control

To view the **Redundant OS Control** screen, power on the system, press F2, and click **System Setup Main Menu > System BIOS > Redundant OS Control**.

Table 56. Redundant OS Control details

| Option | Description |
|------------------------------|--|
| Redundant OS Location | Enables you to select a backup disk from the following devices: |
| Redundant OS State | <p>NOTE: This option is disabled if Redundant OS Location is set to None.</p> <p>When set to Visible, the backup disk is visible to the boot list and OS. When set to Hidden, the backup disk is disabled and is not visible to the boot list and OS. This option is set to Visible by default.</p> <p>NOTE: BIOS disables the device in hardware, so it is not accessed by the OS.</p> |



Table 56. Redundant OS Control details (continued)

| Option | Description |
|--------------------------|---|
| Redundant OS Boot | <p> NOTE: This option is disabled if Redundant OS Location is set to None or if Redundant OS State is set to Hidden.</p> <p>When set to Enabled, BIOS boots to the device specified in Redundant OS Location. When set to Disabled, BIOS preserves the current boot list settings. This option is set to Disabled by default.</p> |

Miscellaneous Settings

To view the **Miscellaneous Settings** screen, power on the system, press F2, and click **System Setup Main Menu > System BIOS > Miscellaneous Settings**.

Table 57. Miscellaneous Settings details

| Option | Description |
|--------------------------------------|--|
| System Time | Enables you to set the time on the system. |
| System Date | Enables you to set the date on the system. |
| Time Zone | Enables you to select required Time Zone. |
| Daylight Savings Time | Enables or disables Daylight Savings Time. This option is set to Disabled by default. |
| Asset Tag | Specifies the asset tag and enables you to modify it for security and tracking purposes. |
| Keyboard NumLock | Enables you to set whether the system boots with the NumLock enabled or disabled. This option is set to On by default.  NOTE: This option does not apply to 84-key keyboards. |
| F1/F2 Prompt on Error | Enables or disables the F1/F2 prompt on error. This option is set to Enabled by default. The F1/F2 prompt also includes keyboard errors. |
| Load Legacy Video Option ROM | This option determines whether the system BIOS will load legacy video (INT 10h) option ROM from the video controller. This option is set to Disabled by default.  NOTE: This option cannot be set to Enabled, when the Boot mode is UEFI and Secure Boot is enabled. |
| Dell Wyse P25/P45 BIOS Access | Enables or disables the Dell Wyse P25/P45 BIOS Access. This option is set to Enabled by default. |
| Power Cycle Request | Enables or disables the Power Cycle Request. This option is set to None by default. |

iDRAC Settings

The iDRAC settings is an interface to set up and configure the iDRAC parameters by using UEFI. You can enable or disable various iDRAC parameters by using the iDRAC settings.

 **NOTE:** Accessing some of the features on the iDRAC settings needs the iDRAC Enterprise License upgrade.

For more information about using iDRAC, see *Dell Integrated Dell Remote Access Controller User's Guide* at <https://www.dell.com/idracmanuals>.

Device Settings

Device Settings enables you to configure device parameters such as storage controllers or network cards.

Service Tag Settings


Service Tag Settings enables you to configure the System Service Tag.

Dell Lifecycle Controller

Dell Lifecycle Controller (LC) provides advanced embedded systems management capabilities including system deployment, configuration, update, maintenance, and diagnosis. LC is delivered as part of the iDRAC out-of-band solution and Dell system embedded Unified Extensible Firmware Interface (UEFI) applications.

Embedded system management

The Dell Lifecycle Controller provides advanced embedded system management throughout the lifecycle of the system. The Dell Lifecycle Controller is started during the boot sequence and functions independently of the operating system.

 **NOTE:** Certain platform configurations may not support the full set of features provided by the Dell Lifecycle Controller.

For more information about setting up the Dell Lifecycle Controller, configuring hardware and firmware, and deploying the operating system, see the Dell Lifecycle Controller documentation at <https://www.dell.com/idracmanuals>.

Boot Manager

The **Boot Manager** option enables you to select boot options and diagnostic utilities.

To enter **Boot Manager**, power on the system and press F11.

Table 58. Boot Manager details

| Option | Description |
|------------------------------------|---|
| Continue Normal Boot | The system attempts to boot to devices starting with the first item in the boot order. If the boot attempt fails, the system continues with the next item in the boot order until the boot is successful or no more boot options are found. |
| One-shot Boot Menu | Enables you to access boot menu, where you can select a one-time boot device to boot from. |
| Launch System Setup | Enables you to access System Setup. |
| Launch Lifecycle Controller | Exits the Boot Manager and invokes the Dell Lifecycle Controller program. |
| System Utilities | Enables you to launch System Utilities menu such as Launch Diagnostics, BIOS update File Explorer, Reboot System. |

PXE boot

You can use the Preboot Execution Environment (PXE) option to boot and configure the networked systems remotely.

To access the **PXE boot** option, boot the system and then press F12 during POST instead of using standard Boot Sequence from BIOS Setup. It does not pull any menu or allows managing of network devices.

Minimum to POST

This section describes the minimum to POST system requirement of the Dell system.

Topics:

- [Minimum configuration to POST](#)
- [Configuration validation](#)

Minimum configuration to POST

The components listed below are the minimum configuration to POST:

- Two processors
- Two memory modules (DIMM) in slot A1 and slot B1
- One power supply unit
- System board + LOM/OCP card + RIO card

Configuration validation

The new generation of Dell systems have added interconnect flexibility and advanced iDRAC management features to collect precise system configuration information and report configuration errors.

When the system is powered on, information about installed cables, risers, backplanes, power supplies, floating card (fPERC, adapter PERC , BOSS), and processor is obtained from the CPLD and backplane memory maps are analyzed. This information forms a unique configuration, which is compared with one of the qualified configurations that are stored in a table that is maintained by iDRAC.

One or more sensors are assigned to each of the configuration elements. During POST, any configuration validation error is logged in the System Event Log (SEL)/LifeCycle (LC) log. The reported events are categorized in the configuration validation error table.

Table 59. Configuration validation error

| Error | Description | Possible cause and recommendations | Example |
|----------------|---|--|---|
| Config Error | A configuration element within the closest match contains something that is unexpected and does not match any Dell qualified configuration. | Wrong configuration | Config Error: Backplane cable CTRS_SRC_SA1 and BP-DST_SA1 |
| | | The element reported in HWC8010 errors are assembled incorrectly. Verify element (cable, risers, etc) placement in the system. | Config Error : SL Cable PLANAR_SL7 and CTRL_DST_PA1 |
| Config Missing | iDRAC found a configuration element missing within the closest match detected. | Missing or damaged cable, device, or part | Config Missing: Float card front PERC/ HBA |
| | | Missing element or cable is reported in HWC8010 error logs. Install the missing element (cable, risers, etc). | Config Missing : SL cable PLANAR_SL8 and CTRL_DST_PA1 |

Table 59. Configuration validation error (continued)

| Error | Description | Possible cause and recommendations | Example |
|------------|---|---|-------------------------|
| Comm Error | A configuration element is not responding to iDRAC using the management interface while running an inventory check. | System management sideband communication Unplug AC Power, reset the element and replace the element if the problem persists. | Comm Error: Backplane 1 |

Error messages

This section describes the error messages that are displayed on the screen during POST or captured in the system event log (SEL)/LifeCycle (LC) log.

Table 60. Error message HWC8010

| Error code | HWC8010 |
|-----------------------------|---|
| Message | The System Configuration Check operation that is resulted in the following issue involving the indicated component type |
| Arguments | Riser, floating card (fPERC, BOSS), backplane, processor, cable, or other components |
| Detailed Description | The issue that is identified in the message is observed in the System Configuration Check operation. |
| Recommended Response Action | Do the following and retry the operation: <ol style="list-style-type: none"> 1. Disconnect the input power. 2. Check for proper cable connection and component placement. If the issue persists, contact the service provider. |
| Category | System Health (HWC = Hardware Config) |
| Severity | Critical |
| Trap/EventID | 2329 |

Table 61. Error message HWC8011


| Error code | HWC8011 |
|-----------------------------|---|
| Message | The System Configuration Check operation that is resulted in multiple issues involving the indicated component type |
| Arguments | Riser, floating card (fPERC, BOSS), backplane, processor, cable, or other components |
| Detailed Description | Multiple issues are observed in the System Configuration Check operation. |
| Recommended Response Action | Do the following and retry the operation: <ol style="list-style-type: none"> 1. Disconnect the input power. 2. Check for proper cable connection and component placement. If the issue persists, contact the service provider. |
| Category | System Health (HWC = Hardware Config) |
| Severity | Critical |


Installing and removing system components

Topics:


- Safety instructions
- Before working inside your system
- After working inside your system
- Recommended tools
- Optional front bezel
- System cover
- Drive backplane cover
- Air shroud
- Cooling fans
- Side wall brackets
- Drives
- PERC module
- Drive backplane
- Cable routing
- System memory
- Processor and heat sink module
- Expansion cards and expansion card risers
- Optional serial COM port
- Optional VGA port for liquid cooling module
- Optional BOSS-N1 module
- System battery
- Optional internal USB card
- Intrusion switch
- Optional OCP card
- Power supply unit
- Trusted Platform Module
- System board
- LOM card and rear I/O board
- Control panel


Safety instructions

 **NOTE:** Whenever you need to lift the system, get others to assist you. To avoid injury, do not attempt to lift the system by yourself.

 **CAUTION:** Ensure that two or more people lift the system horizontally from the box and place it on a flat surface, rack lift, or into the rails.

 **WARNING:** Opening or removing the system cover while the system is powered on may expose you to a risk of electric shock.

 **WARNING:** Do not operate the system without the cover for a duration exceeding five minutes. Operating the system without the system cover can result in component damage.

 **CAUTION:** Many repairs may only be done by a certified service technician. You should only perform troubleshooting and simple repairs as authorized in your product documentation, or as directed by the online or telephone service and support team. Damage due to servicing that is not authorized by Dell is not covered by your warranty. Read and follow the safety instructions that are shipped with your product.

NOTE: It is recommended that you always use an antistatic mat and antistatic strap while working on components inside the system.

CAUTION: To ensure proper operation and cooling, all system bays and fans must always be populated with a component or a blank.

NOTE: While replacing the hot swappable PSU, after next server boot, the new PSU automatically updates to the same firmware and configuration of the replaced one. For updating to the latest firmware and changing the configuration, see the *Lifecycle Controller User's Guide* at <https://www.dell.com/idracmanuals>.

NOTE: While replacing faulty storage controller, FC, or NIC card with the same type of card, after you power on the system, the new card automatically updates to the same firmware and configuration of the faulty one. For updating to the latest firmware and changing the configuration, see the *Lifecycle Controller User's Guide* at <https://www.dell.com/idracmanuals>.

Before working inside your system

Prerequisites

Follow the safety guidelines listed in the [Safety instructions](#).

Steps

1. Power off the system and all attached peripherals.
2. Disconnect the system from the electrical outlet and disconnect the peripherals.
3. If applicable, remove the system from the rack.
For more information, see the *Rail Installation Guide* relevant to your rail solutions at www.dell.com/poweredgemanuals.
4. Remove the system cover.

After working inside your system

Prerequisites

Follow the safety guidelines listed in [Safety instructions](#).

Steps

1. Replace the system cover.
2. If applicable, install the system into the rack.
For more information, see the *Rail Installation Guide* relevant to your system at www.dell.com/poweredgemanuals.
3. Reconnect the peripherals and connect the system to the electrical outlet, and then power on the system.

Recommended tools

You may need some or all of the following tools to perform the removal and installation procedures:

- Phillips 1 screwdriver
- Phillips 2 screwdriver
- Torx T30 screwdriver
- 5 mm hex nut screwdriver
- Plastic scribe
- 1/4-inch flat blade screwdriver
- Wrist grounding strap connected to the ground
- ESD mat
- Needle-nose pliers

You need the following tools to assemble the cables for a DC power supply unit:

- AMP 90871-1 hand-crimping tool or equivalent
 - Tyco Electronics 58433-3 or equivalent
 - Wire-stripper pliers to remove insulation from size 10 AWG solid or stranded, insulated copper wire
- NOTE:** Use alpha wire part number 3080 or equivalent (65/30 stranding).

Optional front bezel

Removing the front bezel

Prerequisites

1. Follow the safety guidelines listed in [Safety instructions](#).
2. Keep the bezel key handy.

Steps

1. If locked, unlock the bezel.
2. Press the release button, and remove the left end of the bezel.
3. Unhook the right end of the bezel, and remove the bezel.

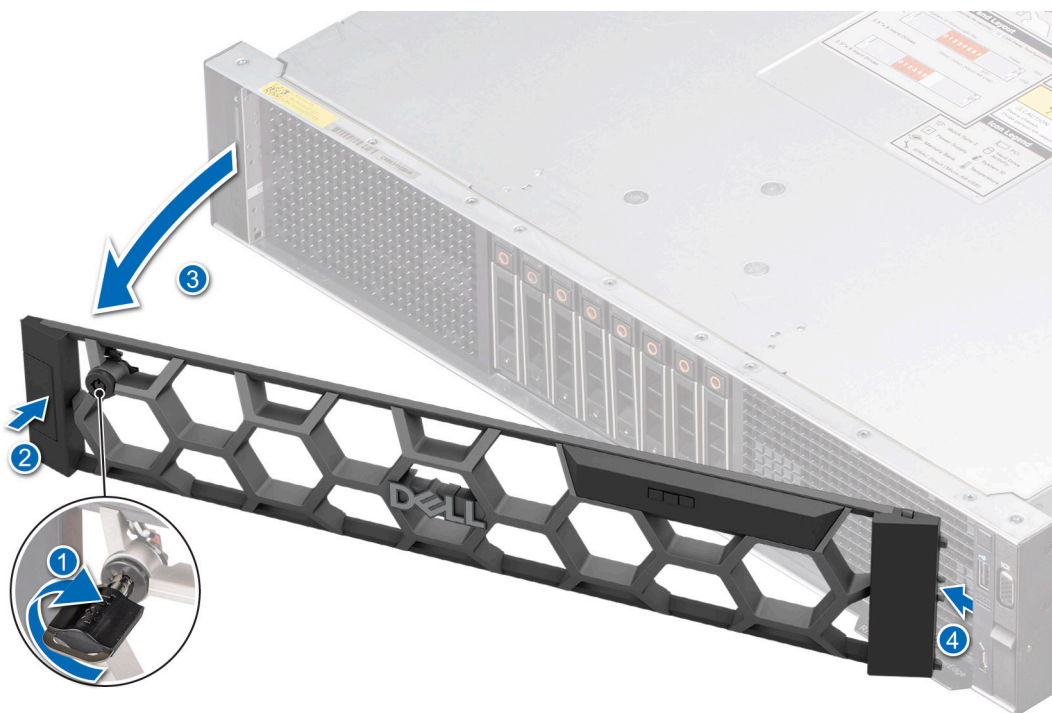


Figure 22. Removing the front bezel

Next steps

[Installing the front bezel.](#)

Installing the front bezel

Prerequisites

1. Follow the safety guidelines listed in [Safety instructions](#).
2. Locate and remove the bezel key.

NOTE: The bezel key is part of the front bezel package.

Steps

1. Align and insert the tabs on the right end of the bezel into the slots on the system.
2. Fit the left end of the bezel onto the system and press the bezel until you hear the release button click.
3. Lock the bezel.



Figure 23. Installing the front bezel

System cover

Removing the system cover

Prerequisites

1. Follow the safety guidelines listed in the [Safety instructions](#).
2. Power off the system, and any attached peripherals.
3. Disconnect the system from the electrical outlet and peripherals.

Steps

1. Using a 1/4-inch flat head or a Phillips #2 screwdriver, rotate the lock counterclockwise to the unlock position.
2. Lift the release latch until the system cover slides back.
3. Lift the cover from the system.

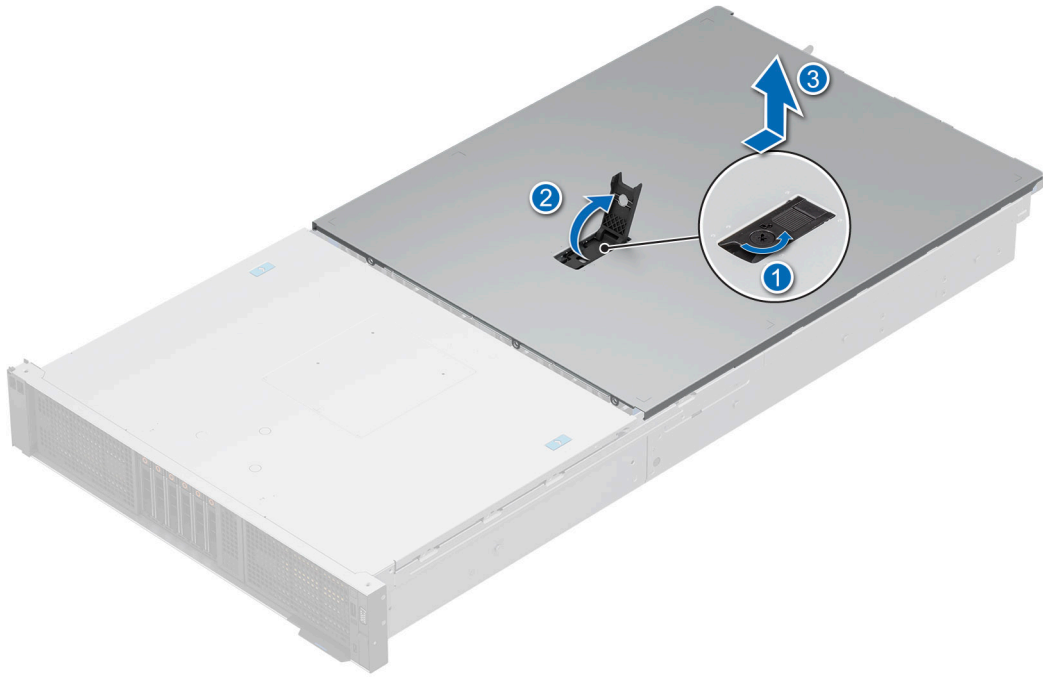


Figure 24. Removing the system cover

Next steps

1. [Replace the system cover.](#)

Installing the system cover

Prerequisites

1. Follow the safety guidelines listed in the [Safety instructions](#).
2. Follow the procedure listed in [Before working inside your system](#).
3. Ensure that all internal cables are connected and routed properly, and no tools or extra parts are left inside the system.

Steps

1. Align the tabs on the system cover with the guide slots on the system and slide the system cover.
2. Close the system cover release latch.
3. Using a 1/4-inch flat head or Phillips #2 screwdriver, rotate the lock clockwise to the lock position.



Figure 25. Installing the system cover

Next steps

1. Follow the procedure listed in [After working inside your system](#).

Drive backplane cover

Removing the drive backplane cover

Prerequisites

1. Follow the safety guidelines listed in the [Safety instructions](#).
2. Follow the procedure listed in [Before working inside the system](#).
3. Follow the procedure listed in [Removing the system cover](#).

Steps

1. Press the blue tab and slide the drive backplane cover.
2. Lift the drive backplane cover from the system.



Figure 26. Removing the drive backplane cover

Next steps

1. [Replace the drive backplane cover.](#)

Installing the drive backplane cover

Prerequisites

1. Follow the safety guidelines listed in the [Safety instructions](#).
2. Follow the procedure listed in [Before working inside your system](#).

Steps

1. Align the drive backplane cover with the guide slots on the system.
2. Slide the drive backplane cover to the front of the system until the drive backplane cover fits into place.



Figure 27. Installing the drive backplane cover

Next steps

1. Follow the procedure listed in [After working inside your system.](#)

Air shroud

Removing the air shroud

Prerequisites

CAUTION: Never operate your system with the air shroud removed. The system may get overheated quickly, resulting in shutdown of the system and loss of data.

1. Follow the safety guidelines listed in the [Safety instructions](#).
2. Follow the procedure listed in [Before working inside the system](#).
3. Follow the procedure listed in [Removing the expansion card risers](#) to remove the Riser 1.
4. Remove the cables from the air shroud notch, place them on the other shroud on the other side of the system.

Steps

1. Press the latch on the air shroud.

NOTE: To remove left air shroud, press the latch on right air shroud the opposite way.

2. Hold the edges of the air shroud, and lift the air shroud out of the system.

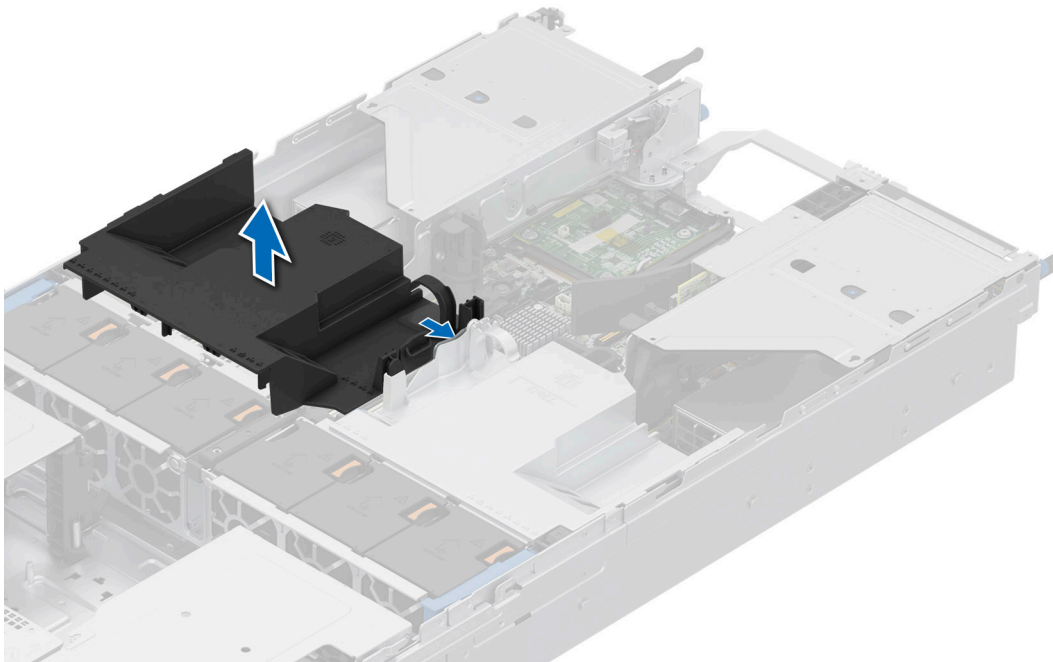


Figure 28. Removing the left air shroud

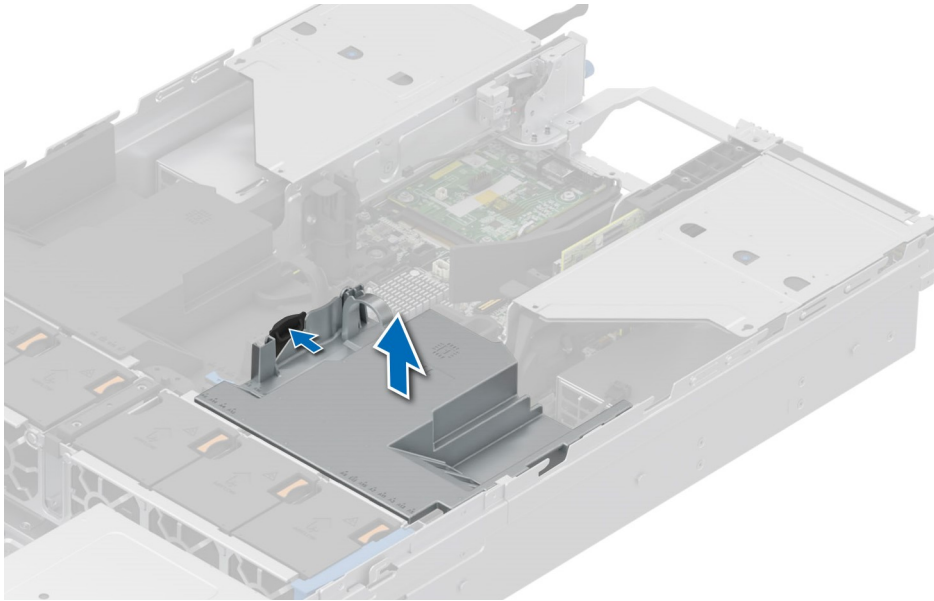


Figure 29. Removing the right air shroud

Next steps

1. [Replace the air shroud.](#)

Installing the air shroud

Prerequisites

1. Follow the safety guidelines listed in the [Safety instructions](#).
2. Follow the procedure listed in [Before working inside your system](#).
3. Follow the procedure listed in [Removing the expansion card risers](#) to remove the Riser 1.

Steps

1. Align the slot on the air shroud with the tab on the left or right air shroud.
2. Lower the air shroud into the system until it is firmly seated.

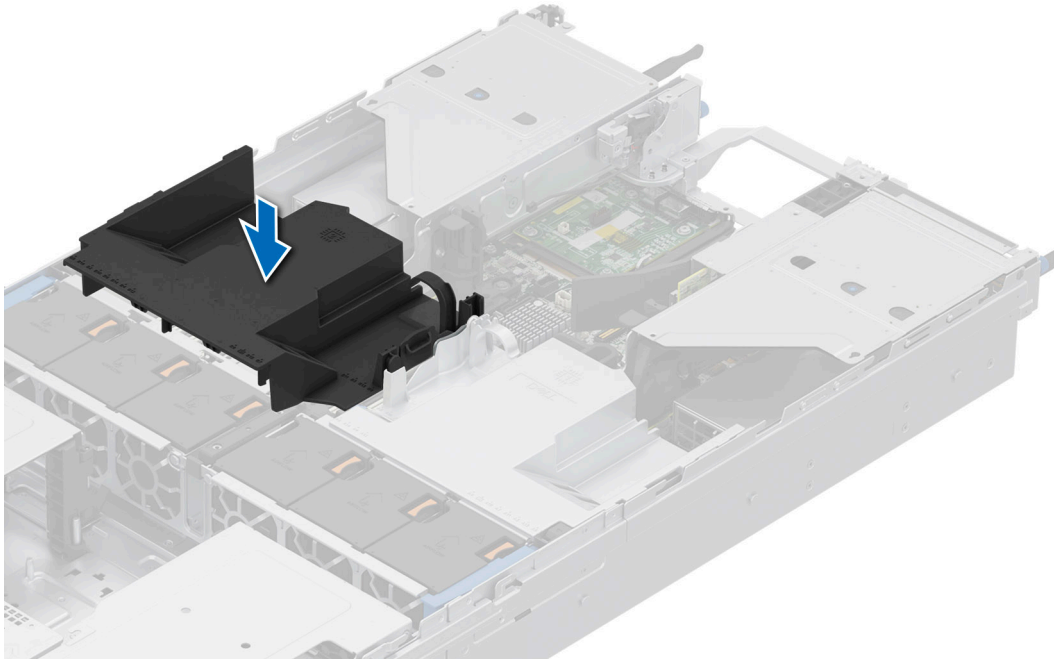


Figure 30. Installing the left air shroud

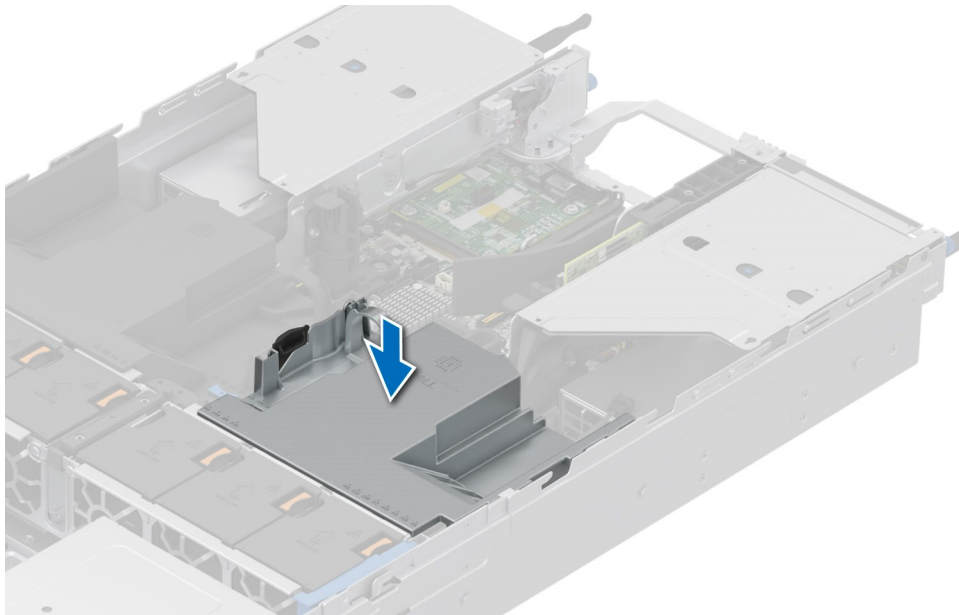


Figure 31. Installing the right air shroud

Next steps

1. Insert the cables into the air shroud notch. Black cable goes to black air shroud notch, and gray cables goes to gray air shroud notch.
2. Follow the procedure listed in the [Installing the expansion card risers](#) to install Riser 1.
3. Follow the procedure listed in [After working inside your system](#).

Cooling fans

Removing the cooling fan cage assembly

Prerequisites

1. Follow the safety guidelines listed in the [Safety instructions](#).
2. Follow the procedure listed in the [Before working inside your system](#).
3. If installed, [remove the air shroud](#).
4. Disconnect the cables from system board that pass through the cooling fan cage assembly cable latch.
5. Open cable access latch to remove the cables and place them towards system front.

Steps

1. Lift the blue release levers to unlock the cooling fan cage assembly from the system.
2. Hold the release levers, and lift the cooling fan cage assembly away from the system.

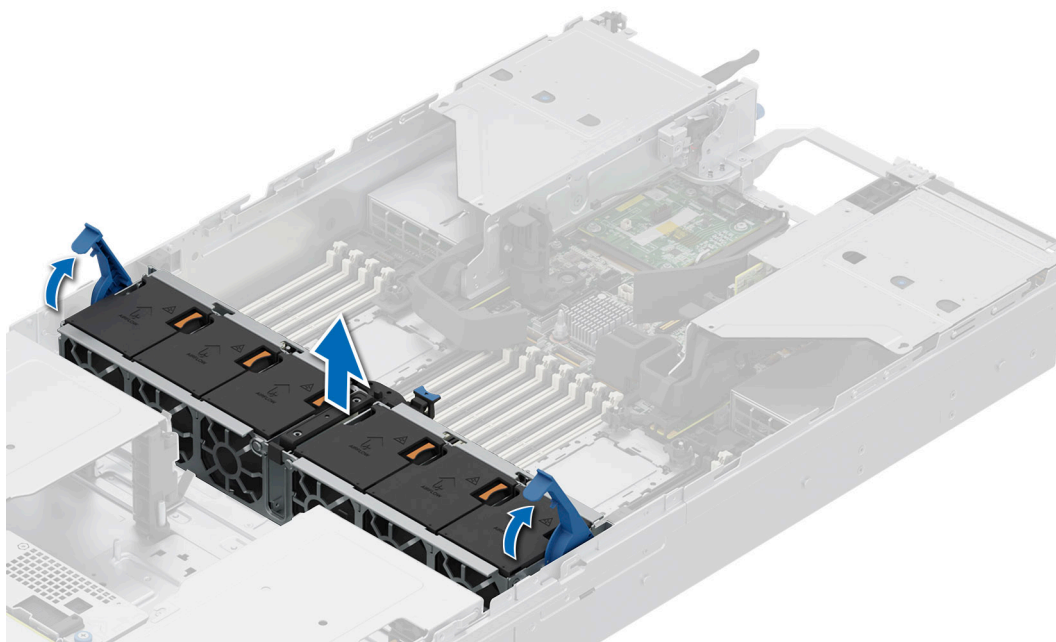



Figure 32. Removing the cooling fan cage assembly

Next steps

1. [Installing the cooling fan cage assembly](#).

Installing the cooling fan cage assembly

Prerequisites

1. Follow the safety guidelines listed in the [Safety instructions](#).
 **CAUTION: Ensure that the cables inside the system are correctly installed and retained by the cable retention bracket before installing the cooling fan cage assembly. Incorrectly installed cables may get damaged.**
2. Follow the procedure listed in [Before working inside your system](#).
3. If installed, [remove the air shroud](#).
4. Disconnect the cables from system board that pass through the cooling fan cage assembly.
5. If opened close the cable side wall brackets on the system.

Steps

1. Align the guide rails on the cooling fan cage assembly with the guides on the system.
2. Lower the cooling fan cage assembly into the system until seated firmly.
3. Lower the blue release levers and press to lock the cooling fan cage assembly into the system.

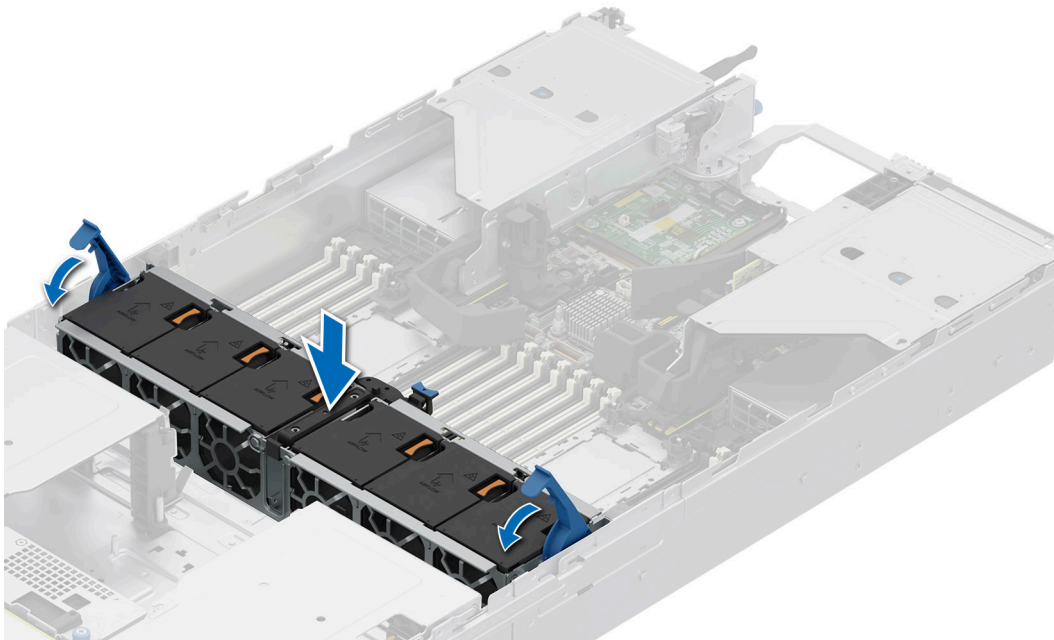


Figure 33. Installing the cooling fan cage assembly

Next steps

1. If removed, [install the air shroud](#).
2. Insert the cables into cables access latch and close cable access latch.
3. Connect the cables to system board that pass through the cooling fan cage assembly cable latch.
4. Follow the procedure listed in [After working inside your system](#).

Removing a cooling fan

Prerequisites

1. Follow the safety guidelines listed in the [Safety instructions](#).
2. Follow the procedure listed in [Before working inside your system](#).

Steps

Press the orange release tab and lift the cooling fan to disconnect the fan from the connector on the system board.

⚠️ WARNING: Ensure not to tilt or rotate the cooling fan while removing from the system.

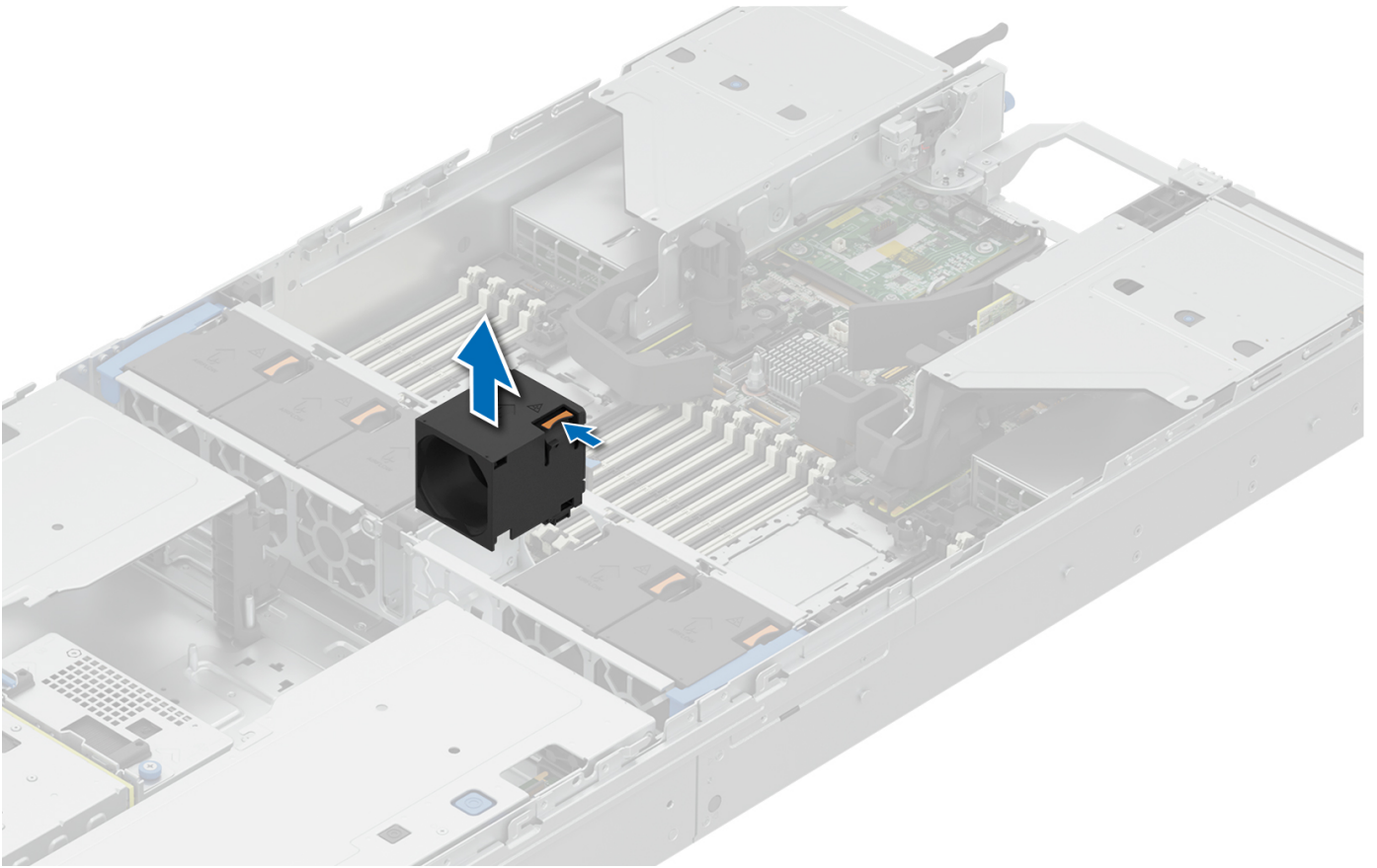


Figure 34. Removing a cooling fan

Next steps

1. [Replace a cooling fan.](#)


Installing a cooling fan

Prerequisites

1. Follow the safety guidelines listed in the [Safety instructions](#).
2. Follow the procedure listed in [Before working inside your system](#).

Steps

Align and slide the cooling fan into the cooling fan cage assembly until the fan clicks into place.

 **NOTE:** The air flow arrow on the cooling fan must face towards rear side of the system.

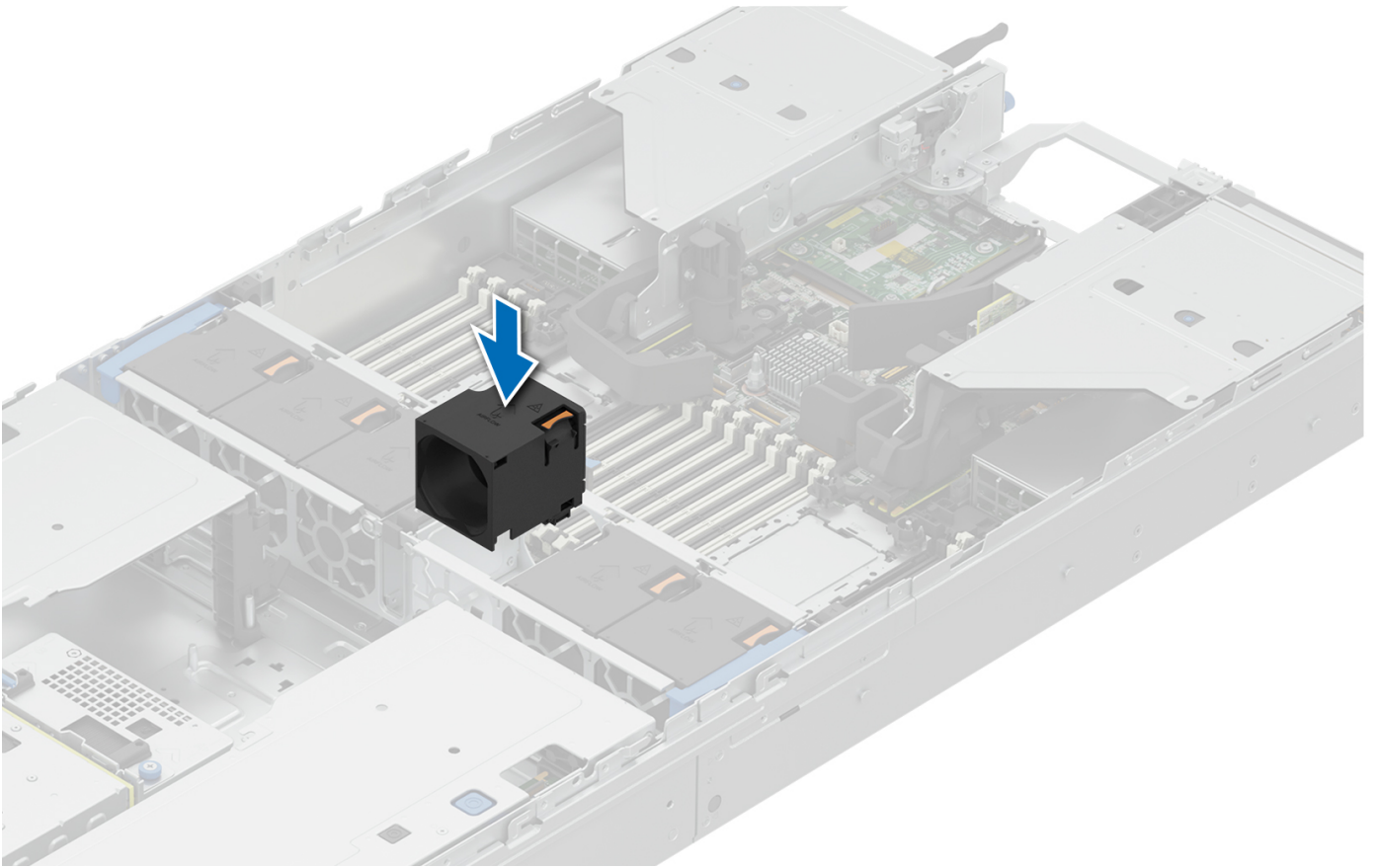


Figure 35. Installing a cooling fan

Next steps

1. Follow the procedure listed in [After working inside your system](#).

Side wall brackets

Removing the side wall bracket

There are two side wall brackets on either side of the system. The procedure to remove them is same.

Prerequisites

1. Follow the safety guidelines listed in the [Safety instructions](#).
2. Follow the procedure listed in the [Before working inside your system](#).
3. If required, [remove the drive backplane cover](#).
4. If installed, [remove the air shroud](#).
5. [Remove the cooling fan cage assembly](#).

i **NOTE:** Ensure that you note the routing of the cables as you remove them from the system board. Route the cables properly when you replace them to prevent the cables from being pinched or crimped.

Steps

1. Press the blue side tabs to release the side wall bracket.
i **NOTE:** Move the cables out of the side wall bracket.

2. Press the center tab to release the bracket from the system, and lift it away from the system.

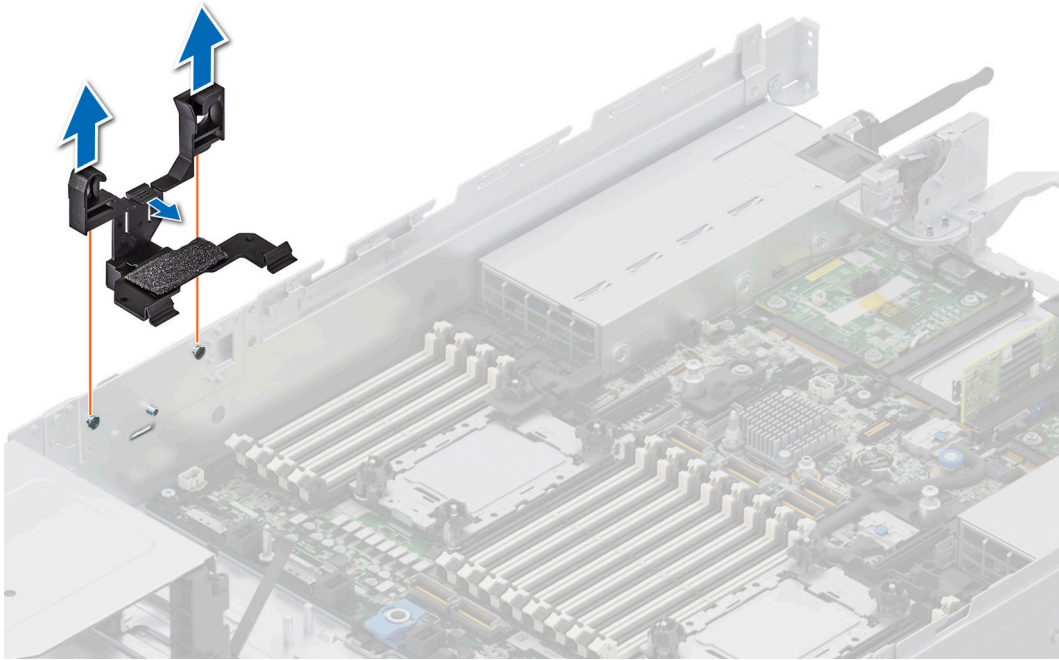


Figure 36. Removing the side wall bracket

Next steps

1. [Replace the side wall bracket.](#)

Installing the side wall bracket

There are two side wall brackets on either side of the system. The procedure to install them is same.

Prerequisites

1. Follow the safety guidelines listed in the [Safety instructions](#).
2. Follow the procedure listed in the [Before working inside your system](#).
3. If required, [remove the drive backplane cover](#).
4. If installed, [remove the air shroud](#).
5. [Remove the cooling fan cage assembly](#).

i **NOTE:** Ensure that you note the routing of the cables as you remove them from the system board. Route the cables properly when you replace them to prevent the cables from being pinched or crimped.

Steps

1. Align the guide slots on the side wall bracket with the guides on the system and slide until the cover is seated firmly.

i **NOTE:** Route the cables through the side wall bracket.

2. Close the side wall bracket until the holder clicks into place.

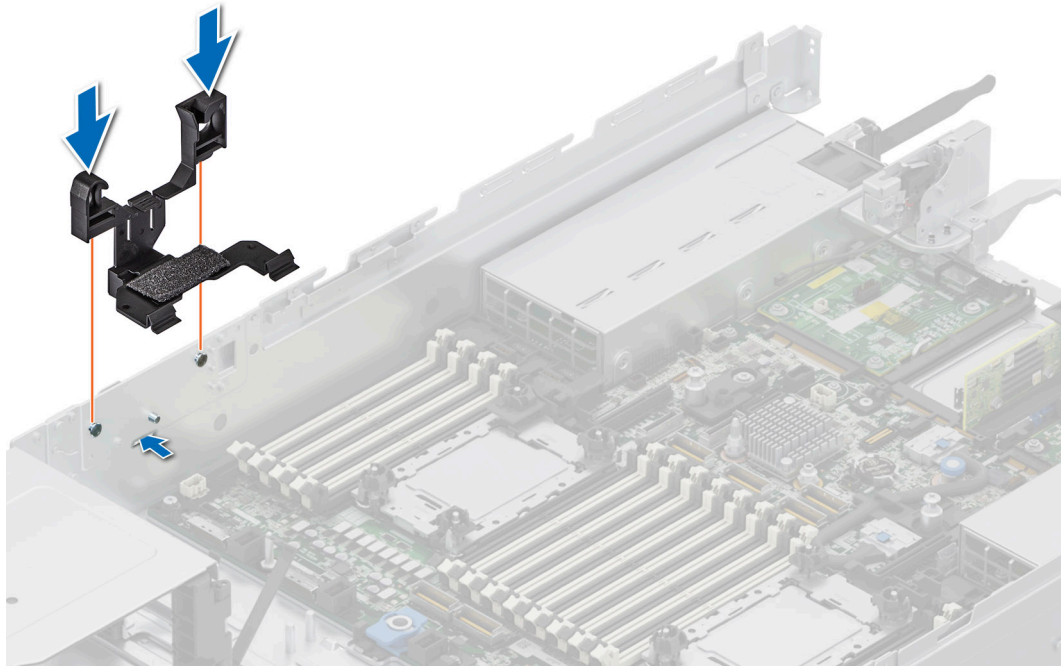


Figure 37. Installing the side wall bracket

Next steps

1. Install the cooling fan cage assembly.
2. If removed, install the air shroud.
3. If removed, install the drive backplane cover.
4. Follow the procedure listed in the [After working inside your system](#).

Drives

Removing a drive blank

Prerequisites

1. Follow the safety guidelines listed in the [Safety instructions](#).
2. If installed, [remove the front bezel](#).

CAUTION: To maintain proper system cooling, drive blanks must be installed in all empty drive slots.

Steps

Press the release button, and slide the drive blank out of the drive slot.

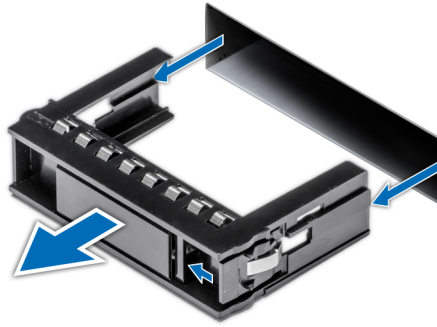


Figure 38. Removing a drive blank

Next steps

1. [Replace the drive blank.](#)

Removing an E3.S drive blank

Prerequisites

1. Follow the safety guidelines listed in the [Safety instructions](#).
2. If installed, [remove the front bezel](#).

CAUTION: To maintain proper system cooling, drive blanks must be installed in all empty drive slots.

Steps

Press the release button at the bottom, and slide the drive blank out of the drive slot.



Figure 39. Removing an E3.S drive blank

Next steps

1. [Replace the E3.S drive blank.](#)

Installing a drive blank

Prerequisites

1. Follow the safety guidelines listed in the [Safety instructions](#).
2. If installed, [remove the front bezel](#).

Steps

Slide the drive blank into the drive slot until the release button clicks into place.

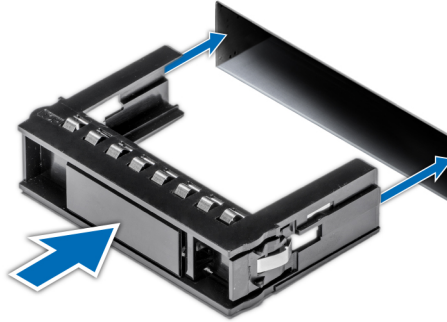


Figure 40. Installing a drive blank

Next steps

1. If removed, [install the front bezel](#).

Installing an E3.S drive blank

Prerequisites

1. Follow the safety guidelines listed in the [Safety instructions](#).
2. If installed, [remove the front bezel](#).

Steps

Insert the drive blank into the drive slot until the release button clicks into place.



Figure 41. Installing the E3.S drive blank

Next steps

1. If removed, [install the front bezel](#).

Removing the drive carrier

Prerequisites

1. Follow the safety guidelines listed in the [Safety instructions](#).
2. If installed, [remove the front bezel](#).
3. Using the management software, prepare the drive for removal. If the drive is online, the green activity or fault indicator blinks while the drive is powering off. When the drive indicators are off, the drive is ready for removal. For more information, see the documentation for the storage controller.

CAUTION: Before attempting to remove or install a drive while the system is running, see the documentation for the storage controller card to ensure that the host adapter is configured correctly to support drive removal and insertion.

CAUTION: To prevent data loss, ensure that your operating system supports drive installation. For more information about the drives installation or uninstallation requirements, see the operating system's user guide.

Steps

1. Press the release button to open the drive carrier release handle.
2. Holding the drive carrier release handle, slide the drive carrier out of the drive slot.

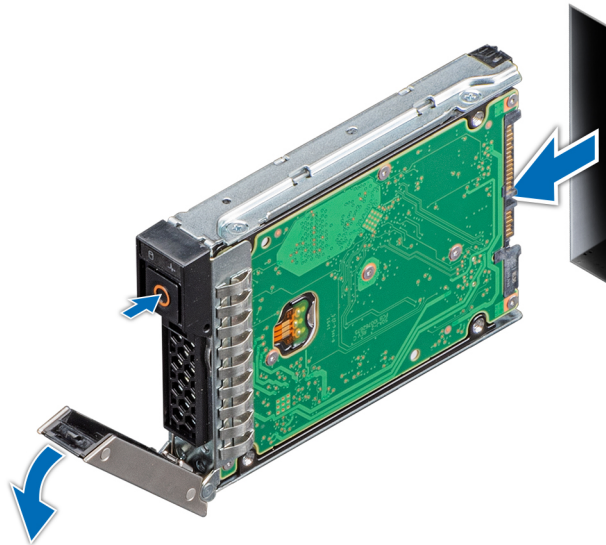


Figure 42. Removing a drive carrier

Next steps

1. [Install a drive carrier](#) or [drive blank](#).

Removing the E3.S drive carrier

Prerequisites

1. Follow the safety guidelines listed in the [Safety instructions](#).
2. If installed, [remove the front bezel](#).

- Using the management software, prepare the drive for removal. If the drive is online, the green activity or fault indicator blinks while the drive is powering off. When the drive indicators are off, the drive is ready for removal. For more information, see the documentation for the storage controller.

CAUTION: Before attempting to remove or install a drive while the system is running, see the documentation for the storage controller card to ensure that the host adapter is configured correctly to support drive removal and insertion.

CAUTION: To prevent data loss, ensure that your operating system supports drive installation. For more information about the drives installation or uninstallation requirements, see the operating system's user guide.

Steps

- Push the release button upwards to pop out the release handle.
- Holding the drive carrier release handle, slide the drive carrier out of the drive slot.

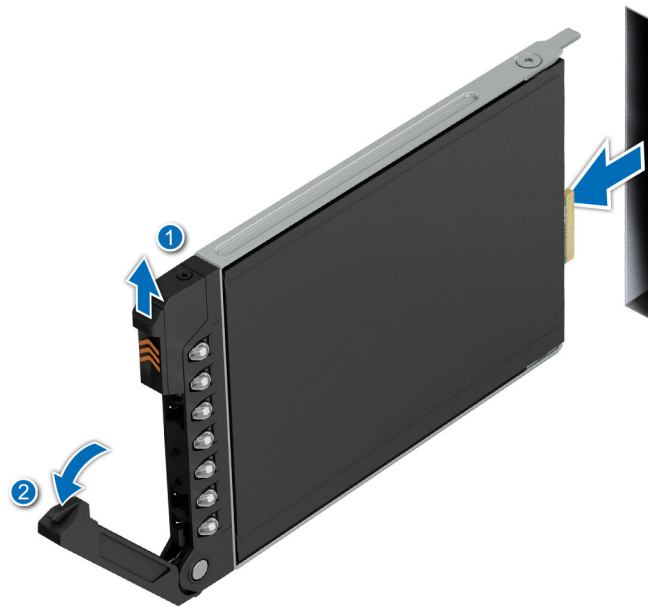


Figure 43. Removing the E3.S drive carrier

Next steps

- [Install an E3.S drive carrier](#) or [Installing an E3.S drive blank](#).

Installing the drive carrier

Prerequisites

CAUTION: Before removing or installing a drive while the system is running, see the documentation for the storage controller card to ensure that the host adapter is configured correctly to support drive removal and insertion.

CAUTION: Combining SAS and SATA drives in the same RAID volume is not supported.

CAUTION: When installing a drive, ensure that the adjacent drives are fully installed. Inserting a drive carrier and attempting to lock its handle next to a partially installed carrier can damage the partially installed carrier's shield spring and make it unusable.

CAUTION: To prevent data loss, ensure that your operating system supports hot-swap drive installation. See the documentation supplied with your operating system.

NOTE: When a replacement hot swappable drive is installed while the system is powered on, the drive automatically begins to rebuild. Ensure that the replacement drive is blank. Any data on the replacement drive is immediately lost once the drive is installed.

NOTE: Ensure that the drive carrier's release handle is in the open position before inserting the carrier into the slot.

1. Follow the safety guidelines listed in the [Safety instructions](#).
2. If installed, [remove the front bezel](#).
3. Remove the drive carrier or remove the drive blank when you want to assemble the drives in to the system.

Steps

1. Slide the drive carrier into the drive slot.
2. Close the drive carrier release handle to lock the drive in place.

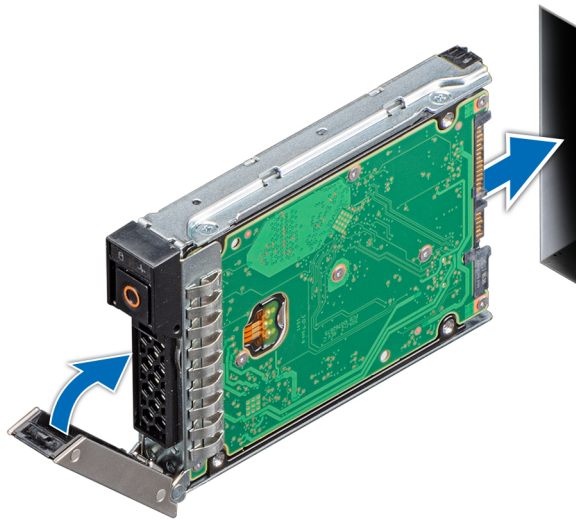


Figure 44. Installing a drive carrier

Next steps

If removed, [install the front bezel](#).

Installing the E3.S drive carrier

Prerequisites

- CAUTION:** Before removing or installing a drive while the system is running, see the documentation for the storage controller card to ensure that the host adapter is configured correctly to support drive removal and insertion.
- CAUTION:** Combining SAS and SATA drives in the same RAID volume is not supported.
- CAUTION:** When installing a drive, ensure that the adjacent drives are fully installed. Inserting a drive carrier and attempting to lock its handle next to a partially installed carrier can damage the partially installed carrier's shield spring and make it unusable.
- CAUTION:** To prevent data loss, ensure that your operating system supports hot-swap drive installation. See the documentation supplied with your operating system.

NOTE: When a replacement hot swappable drive is installed while the system is powered on, the drive automatically begins to rebuild. Ensure that the replacement drive is blank. Any data on the replacement drive is immediately lost once the drive is installed.

NOTE: Ensure that the drive carrier's release handle is in the open position before inserting the carrier into the slot.

1. Follow the safety guidelines listed in the [Safety instructions](#).
2. If installed, [remove the front bezel](#).
3. Remove the drive carrier or remove the drive blank when you want to assemble the drive in to the system.

Steps

1. Slide the drive carrier into the drive slot.
2. Close the drive carrier release handle to lock the drive in place.

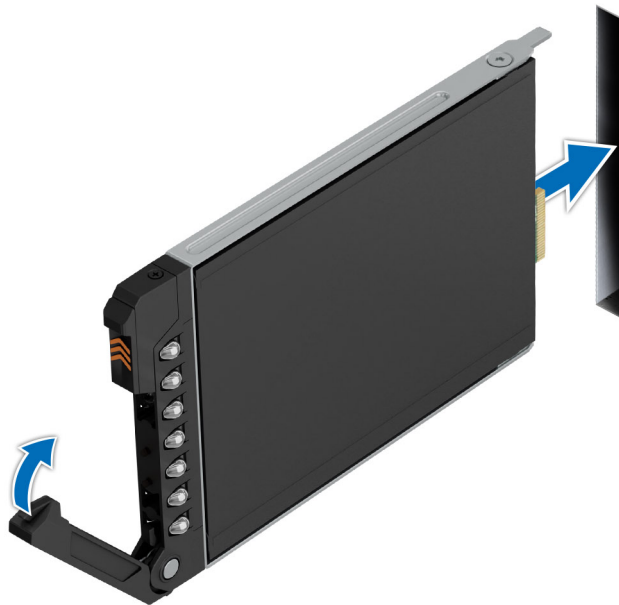


Figure 45. Installing the E3.S drive carrier

Next steps

If removed, [install the front bezel](#).

Removing the drive from the drive carrier

Prerequisites

1. Follow the safety guidelines listed in the [Safety instructions](#).
2. [Remove the drive carrier](#).

Steps

1. Using a Phillips #1 screwdriver, remove the screws from the slide rails on the drive carrier.

NOTE:

If the drive carrier has Torx screw , use Torx 6 (for 2.5-inch drive) screwdriver to remove the drive.

2. Lift the drive out of the drive carrier.



Figure 46. Removing the drive from the drive carrier

Next steps

Install the drive into the drive carrier.

Removing the E3.S drive from the drive carrier

Prerequisites

1. Follow the safety guidelines listed in the [Safety instructions](#).
2. Using the management software, prepare the drive for removal.

If the drive is online, the green activity or fault indicator blinks while the drive is powering off. When the drive indicators are off, the drive is ready for removal. For more information, see the documentation for the storage controller.

CAUTION: Before attempting to remove or install a drive while the system is running, see the documentation for the storage controller card to ensure that the host adapter is configured correctly to support drive removal and insertion.

CAUTION: To prevent data loss, ensure that your operating system supports drive installation. For more information about the drives installation or uninstallation requirements, see the operating system's user guide.

Steps

1. Using a Phillips 1 screw driver, remove the screws from the slide rails on the drive carrier.

NOTE: If the hard drive or SSD carrier has Torx screw, use Torx 6 (for 2.5-inch drive) screwdriver to remove the drive.



2. Slide the drive out from the drive carrier.

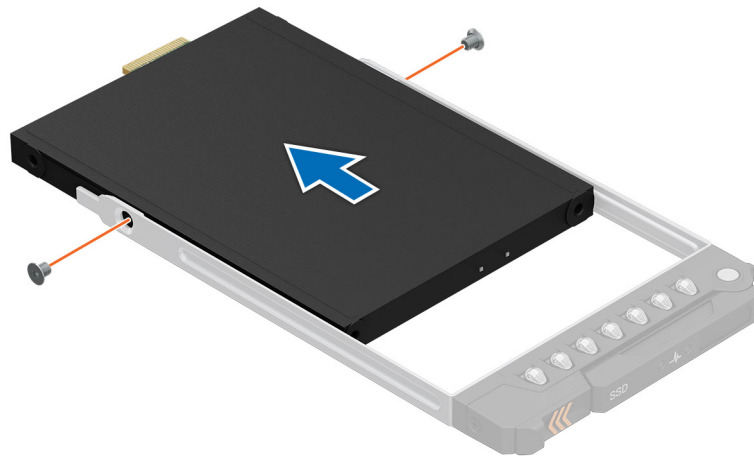


Figure 47. Removing the E3.S drive from the drive carrier

Next steps

1. [Installing the E3.S drive into the drive carrier.](#)


Installing the drive into the drive carrier

Prerequisites

1. Follow the safety guidelines listed in the [Safety instructions](#).
2. [Remove the drive carrier.](#)

Steps

1. Insert the drive into the drive carrier with the drive connector facing towards the rear of the carrier.
2. Align the screw holes on the drive with the screws holes on the drive carrier.
3. Using a Phillips #1 screwdriver, secure the drive to the drive carrier with the screws.

 **NOTE:** When installing a drive into the drive carrier, ensure that the screws are torqued to 4 in-lbs.


 **NOTE:** If the drive carrier has Torx screw  , use Torx 6 (for 2.5-inch drive) screwdriver to install the drive.



Figure 48. Installing a drive into the drive carrier

Next steps

1. [Install the drive carrier.](#)

Installing the E3.S drive into the drive carrier

Prerequisites

1. Follow the safety guidelines listed in the [Safety instructions](#).
2. [Remove the E3.S drive carrier.](#)

Steps

1. Insert the drive into the drive carrier with the drive connector facing towards the rear of the carrier.
2. Align the screw holes on the drive with the screw holes on the drive carrier.
3. Using a Phillips 1 screwdriver, secure the drive to the drive carrier with the screws.

NOTE: When installing a drive into the drive carrier, ensure that the screws are torqued to 4 in-lbs.

NOTE: If the hard drive or SSD carrier has Torx screw, use Torx 6 (for 2.5-inch drive) screwdriver to install the drive.



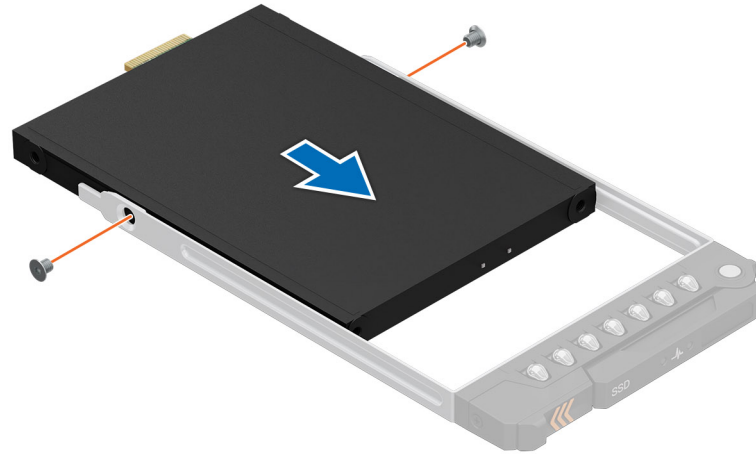


Figure 49. Installing the E3.S drive into the drive carrier

Next steps

1. [Install the E3.S drive carrier.](#)

Removing a NVMe drive blank

Prerequisites

1. Follow the safety guidelines listed in the [Safety instructions](#).
2. If installed, [remove the front bezel](#).
3. [Remove all drives](#).
 - ① **NOTE:** All drives need to be installed to their original position.
4. [Remove the drive backplane cover](#).
5. [Remove the drive backplane](#).

⚠ CAUTION: For proper system cooling, drive blanks must be installed in all empty drive slots.

① **NOTE:** NVMe drive blank is applicable for the system with x6 NVMe drive configuration.

Steps

Lift the release latch and push the NVMe drive blank out of the drive slot.

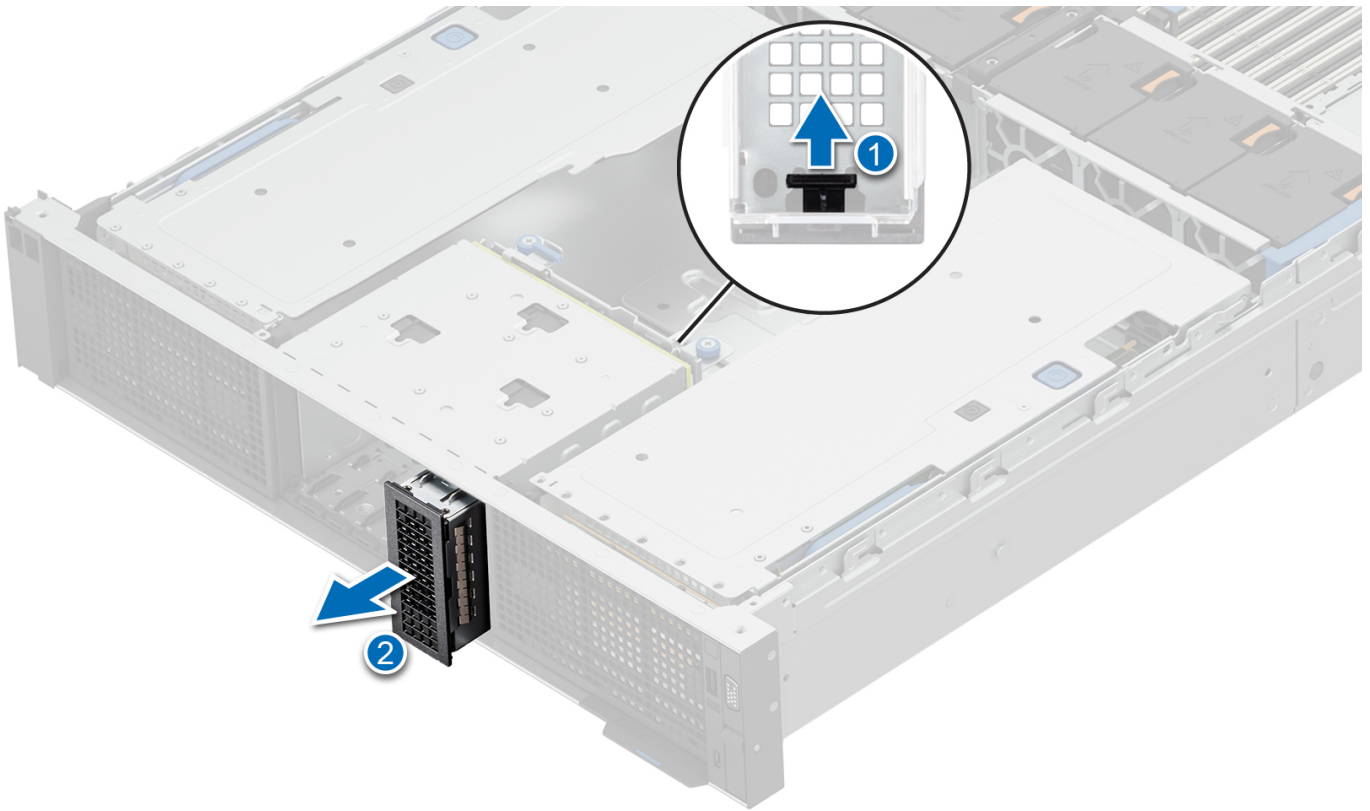


Figure 50. Removing a NVMe drive blank

Next steps

1. Replace the NVMe drive blank.

Installing a NVMe drive blank

Prerequisites

1. Follow the safety guidelines listed in the [Safety instructions](#).
2. If installed, [remove the front bezel](#).
3. [Remove all drives](#).
4. [Remove the drive backplane cover](#).
5. [Remove the drive backplane](#).

CAUTION: For proper system cooling, drive blanks must be installed in all empty drive slots.

NOTE: NVMe drive blank is applicable for the system with x6 NVMe drive configuration.

Steps

Slide the NVMe drive blank into the drive slot, until clicks into place.

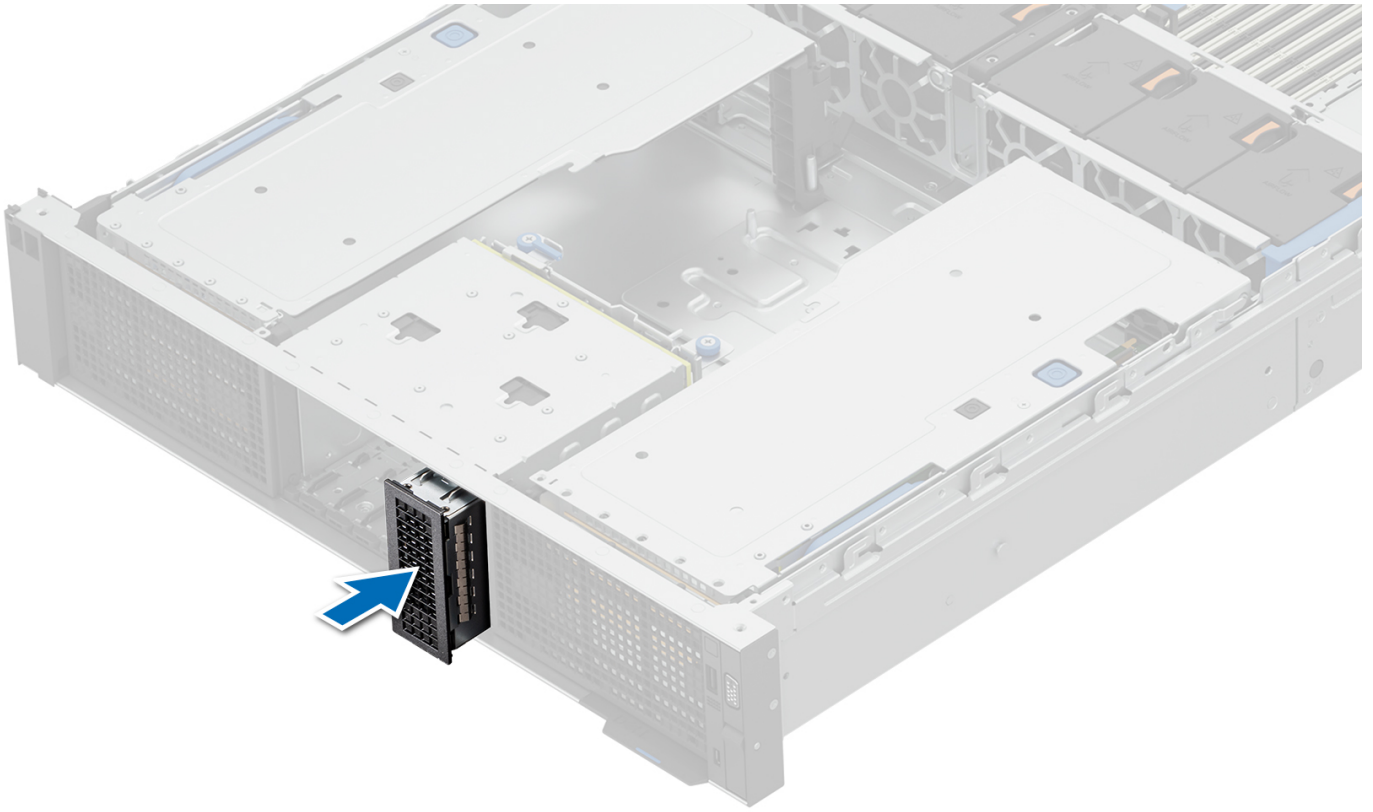


Figure 51. Installing a NVMe drive blank

Next steps

1. [Install all drives.](#)
2. If removed, [install the front bezel.](#)
3. If removed, [install the drive backplane.](#)
4. If removed, [install the drive backplane cover.](#)

PERC module

Removing the rear mounting front PERC module

Prerequisites

1. Follow the safety guidelines listed in the [Safety instructions.](#)
2. Follow the procedure listed in the [Before working inside your system.](#)
3. [Remove the drive backplane cover.](#)
4. Disconnect all the cables from rear mounting front PERC module, observe the cable routing.

Steps

1. Using a Phillips #2 screwdriver, loosen the captive screws on the rear mounting front PERC module.
2. Slide out the rear mounting front PERC module to disengage from the connector on the drive backplane.

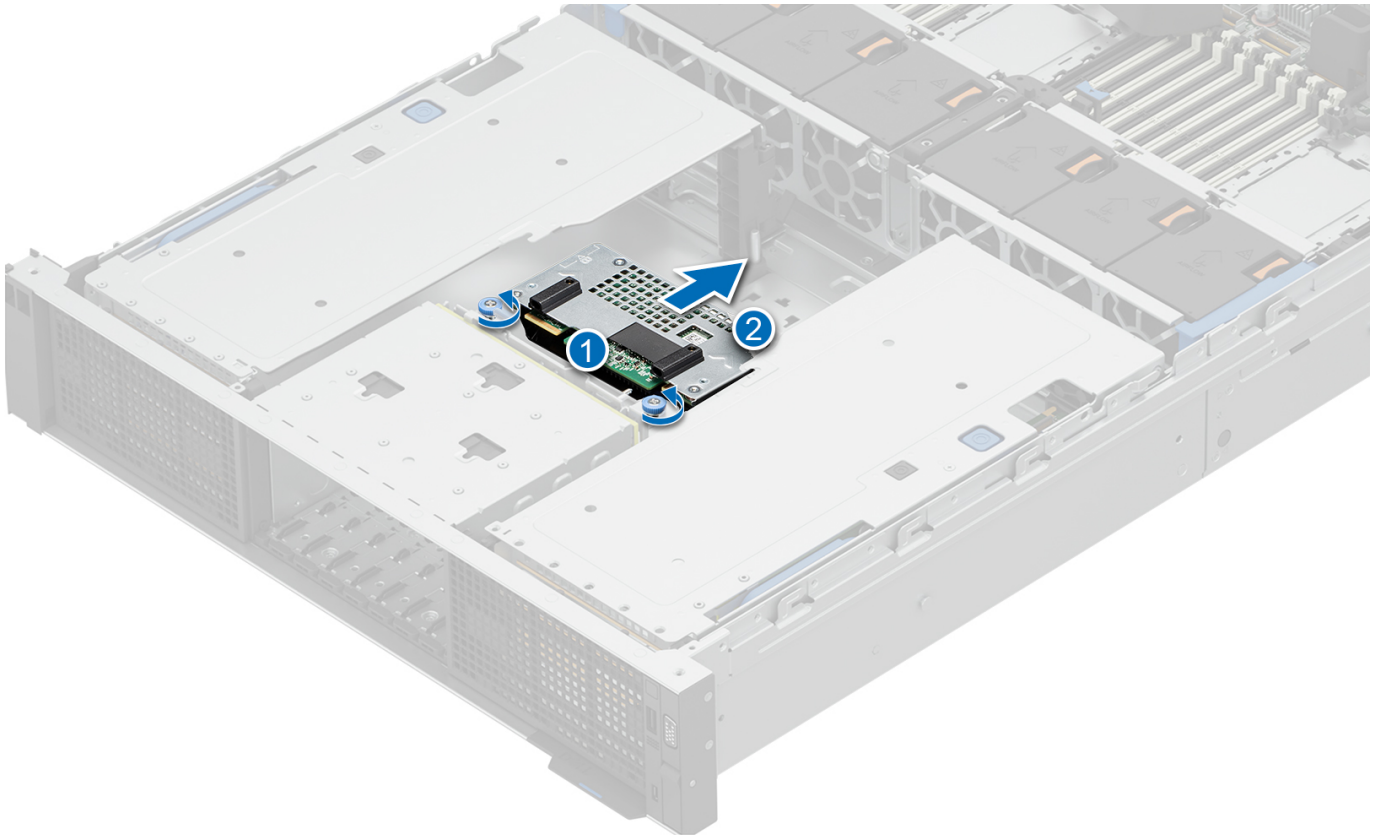


Figure 52. Removing the rear mounting front PERC module

Next steps

1. [Replace the rear mounting front PERC module.](#)

Installing the rear mounting front PERC module

Prerequisites

1. Follow the safety guidelines listed in the [Safety instructions](#).
2. Follow the procedure listed in [Before working inside your system](#).
3. [Remove the drive backplane cover](#).
4. Disconnect all the cables from rear mounting front PERC module, observe the cable routing.

Steps

1. Align the connectors and guide slots on the rear mounting front PERC module with the connectors and guide pins on the drive backplane.
2. Slide in the rear mounting front PERC module, until the module is connected to the drive backplane.
3. Using a Phillips #2 screwdriver, tighten the captive screws on the rear mounting front PERC module.

NOTE: The numbers on the image do not depict the exact steps. The numbers are for representation of sequence.

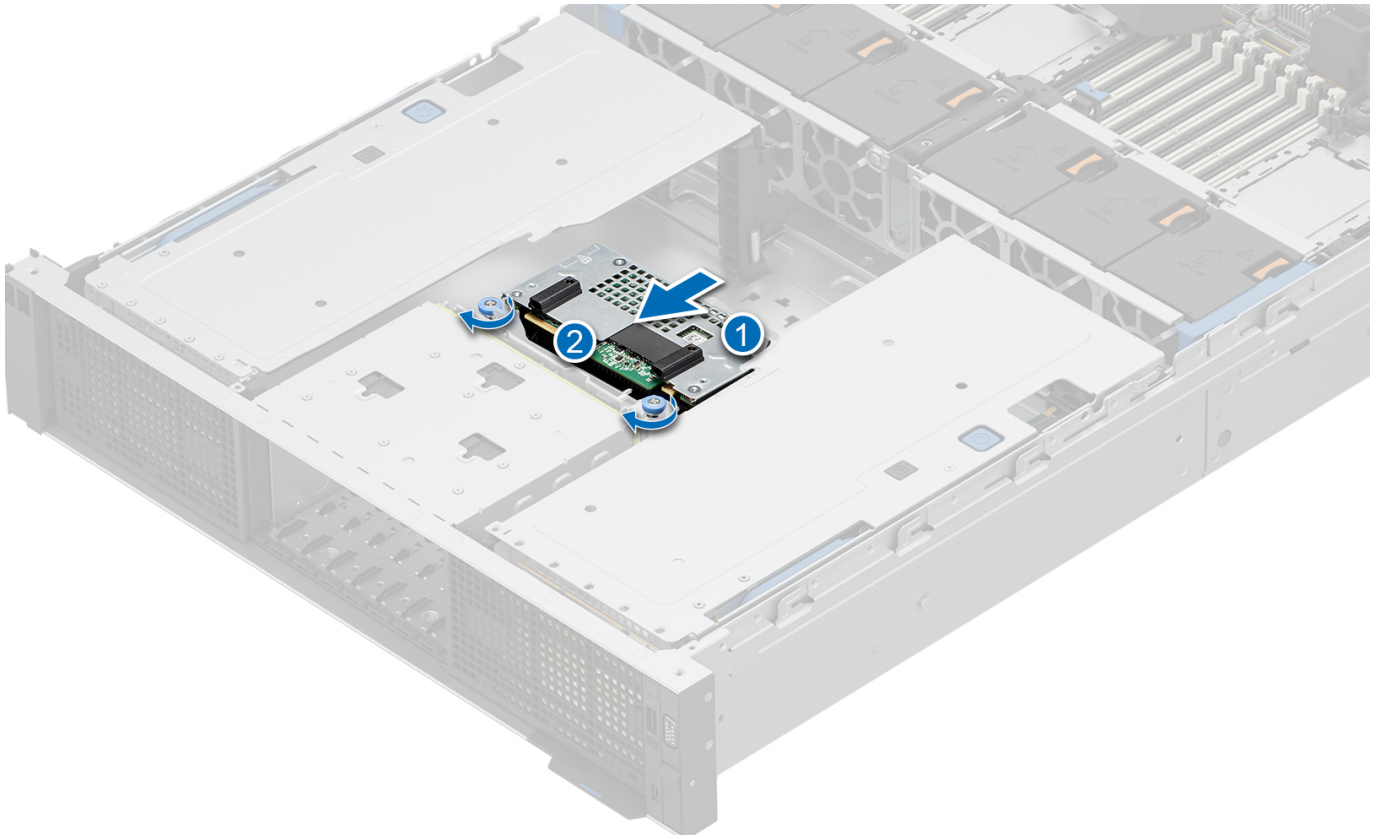


Figure 53. Installing the rear mounting front PERC module

Next steps

1. Connect all the cables to rear mounting front PERC module.
 - NOTE:** Route the cables properly to prevent the cables from being pinched or crimped.
2. [Install the drive backplane cover.](#)
3. Follow the procedure listed in [After working inside your system.](#)

Drive backplane

This is a service technician replaceable part only.

Drive backplane

Depending on your system configuration, the drive backplanes that are supported are listed here:

Table 62. Supported backplane options

| System | Supported hard drives options |
|------------------|---------------------------------------|
| PowerEdge R760xa | 2.5-inch (x 8) NVMe backplane |
| | 2.5-inch (x 8) SAS, or SATA backplane |
| | Upto 6 x E3.S Gen5 NVMe |

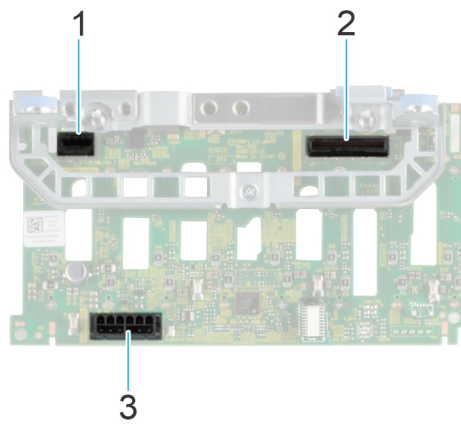


Figure 54. 8 x 2.5-inch NVMe drive backplane

1. BP_PWR_CTRL
2. BP_DST_SA1 (PERC to backplane)
3. BP_PWR_1 (backplane power and signal cable to system board)

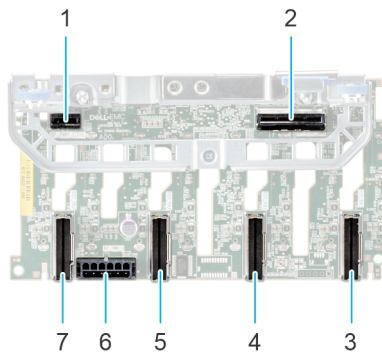


Figure 55. 8 x 2.5-inch drive backplane

- | | |
|---|--|
| <ol style="list-style-type: none"> 1. BP_PWR_CTRL 3. BP_DST_PA1 (PCIe/NVMe connector) 5. BP_DST_PA2 (PCIe/NVMe connector) 7. BP_DST_PB2 (PCIe/NVMe connector) | <ol style="list-style-type: none"> 2. BP_DST_SA1 (PERC to backplane) 4. BP_DST_PB1 (PCIe/NVMe connector) 6. BP_PWR_1 (backplane power and signal cable to system board) |
|---|--|

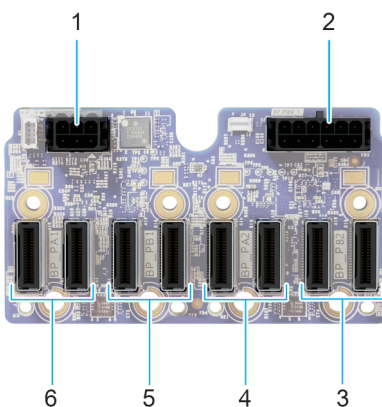


Figure 56. 6 x E3.S drive backplane

- | | |
|--|--|
| <ol style="list-style-type: none"> 1. BP_PWR_CTRL 3. BP_DST_PB2 (PCIe/NVMe connector) 5. BP_DST_PB1 (PCIe/NVMe connector) | <ol style="list-style-type: none"> 2. BP_PWR_1 (backplane power and signal cable to system board) 4. BP_DST_PA2 (PCIe/NVMe connector) 6. BP_DST_PA1 (PCIe/NVMe connector) |
|--|--|

Removing the drive backplane

Prerequisites

 **CAUTION:** To prevent damage to the drives and backplane, remove the drives from the system before removing the backplane.

 **CAUTION:** Note the number of each drive and temporarily label them before you remove the drive so that you can reinstall them in the same location.


 **NOTE:** The procedure to remove the backplane is similar for all backplane configurations.

1. Follow the safety guidelines listed in the [Safety instructions](#).
2. Follow the procedure listed in the [Before working inside your system](#).
3. [Remove the drive backplane cover](#).
4. If installed, [remove the air shroud](#).
5. [Remove the cooling fan cage assembly](#).
6. [Remove the drives](#).
7. If required, [remove the rear mounting front PERC module](#).
8. Observe and disconnect the drive backplane cables from the connector on the system board and backplane.

 **NOTE:** Refer to [cable routing](#) section for more information.

Steps

1. Press the release tab to disengage the drive backplane from the hooks on the system. For the E3.S drive backplane, loosen the captive screws.
2. Lift and pull the drive backplane out of the system.

 **NOTE:** To avoid damaging the backplane, remove the disconnected backplane cables from the cable routing clips before removing the backplane.

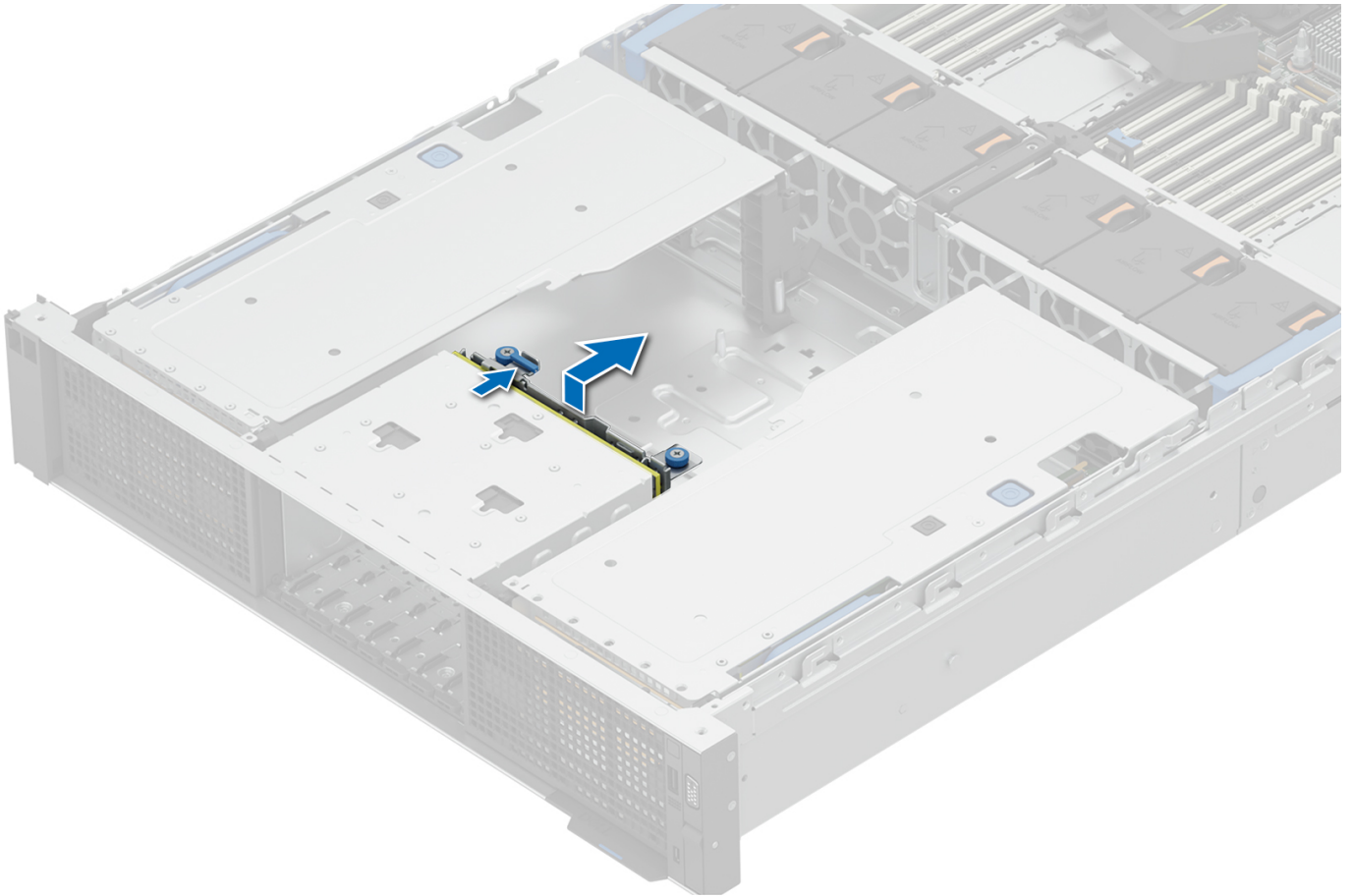


Figure 57. Removing the drive backplane

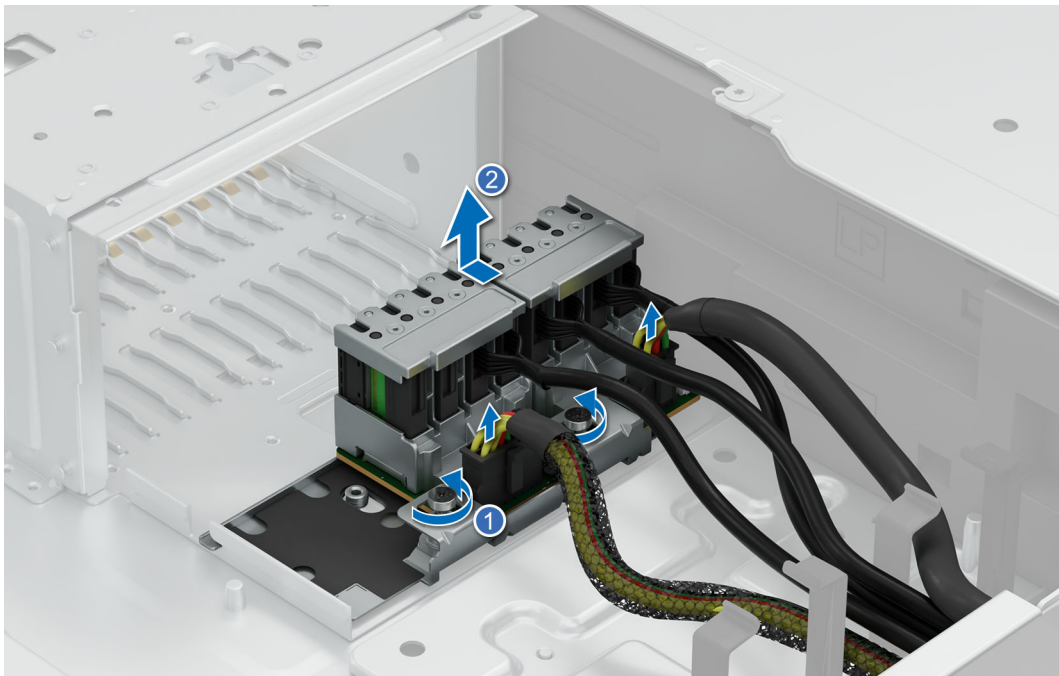


Figure 58. Removing E3.S drive backplane

Next steps

1. [Replace the drive backplane.](#)

Installing the drive backplane

Prerequisites

1. Follow the safety guidelines listed in the [Safety instructions](#).
2. Follow the procedure listed in the [Before working inside your system](#).
3. [Remove the drive backplane cover.](#)
4. If installed, [remove the air shroud.](#)
5. [Remove the cooling fan cage assembly.](#)
6. [Remove the drives.](#)
7. If required, [remove the rear mounting front PERC module.](#)
8. Observe and disconnect the drive backplane cables from the connector on the system board and backplane.

i **NOTE:** Refer to [cable routing](#) section for more information.

i **NOTE:** To avoid damaging the backplane, remove the disconnected backplane cables from the cable routing clips.

i **NOTE:** Route the cables properly when you replace them to prevent the cables from being pinched or crimped.

Steps

1. Align the slots on the drive backplane with the guides on the system.
2. Slide the drive backplane into the guides and lower the backplane until the blue release tab clicks into place. For E3.S drive backplane, fasten the captive screws.

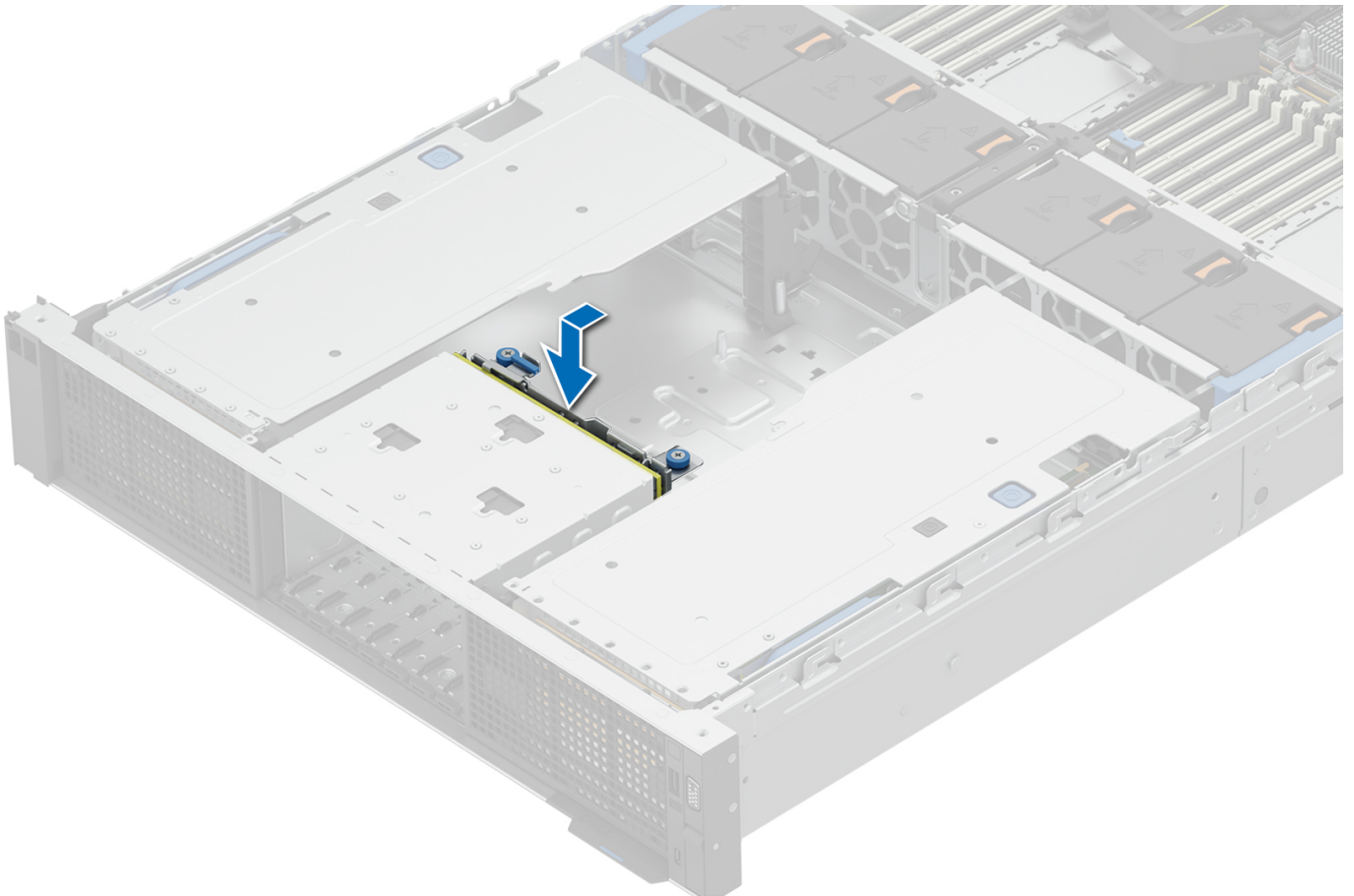


Figure 59. Installing the drive backplane

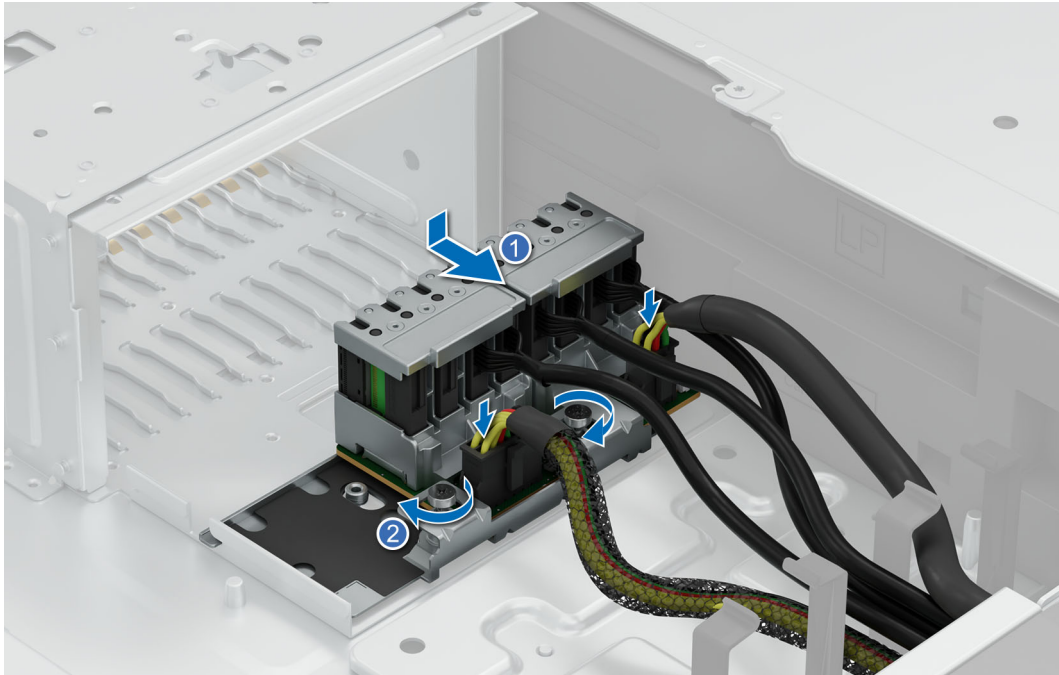


Figure 60. Installing E3.S drive backplane

Next steps

1. Connect the drive backplane cables to the connectors on the system board and backplane.
2. [Install the drives.](#)
3. If required, [install the rear mounting front PERC module.](#)
4. [Install the cooling fan cage assembly.](#)
5. If removed, [install the air shroud.](#)
6. [Install the drive backplane cover.](#)
7. Follow the procedure listed in [After working inside your system.](#)

Cable routing

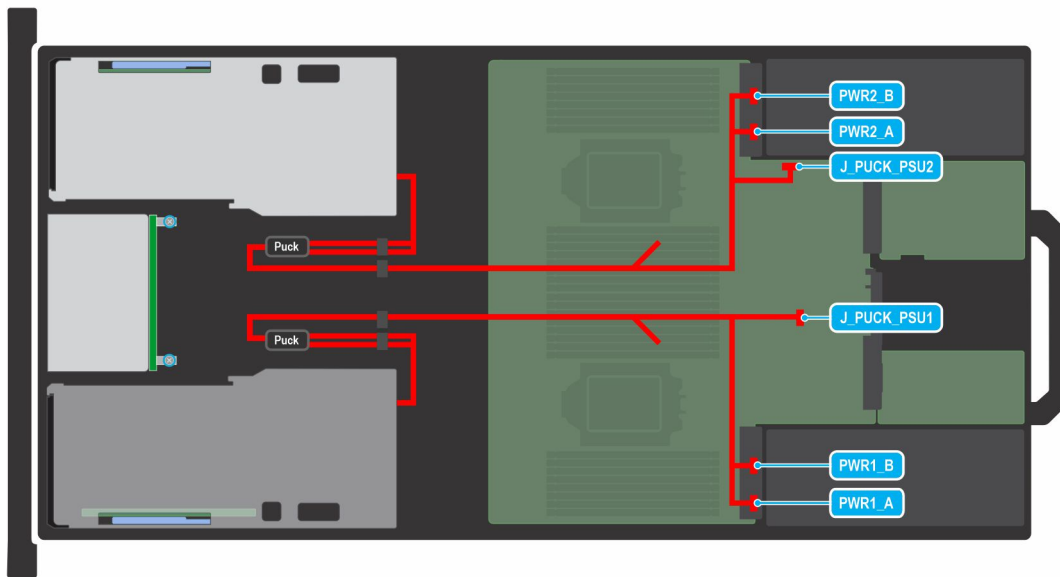


Figure 61. Cabling for GPU Power

NOTE: Follow the sequential order as shown in the table to remove the cables, to install the cables follow the reverse sequential order.

Table 63. Cabling for GPU Power

| Order | From | To |
|-------|---|------------------|
| 1. | PWR1_A (system board PSU1) / PWR1_B (system board PSU1)/ J_PUCK_PSU1 (System board PSU 1 signal connector) | Puck (GPU power) |
| 2. | PWR2_A (system board PSU2) / PWR2_B (system board PSU2)/ J_PUCK_PSU2 (System board PSU 2 signal connector) | Puck (GPU power) |

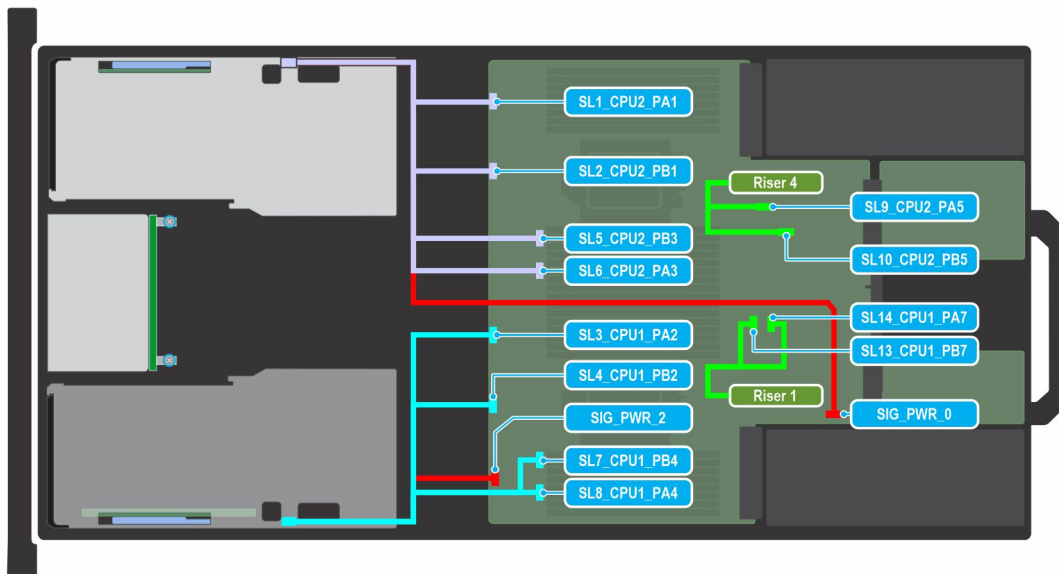


Figure 62. Cabling for Front GPU riser module and Risers R1 and R4

NOTE: Follow the sequential order as shown in the table to remove the cables, to install the cables follow the reverse sequential order.

Table 64. Cabling for Front GPU riser module and Risers R1 and R4

| Order | From | To |
|-------|--|-----------------------------------|
| 1. | SL13_CPU1_PB7 (signal connector on system board) and SL14_CPU1_PA7 (signal connector on system board) | Riser 1 |
| 2. | SL9_CPU2_PA5 (signal connector on system board) and SL10_CPU2_PB5 (signal connector on system board) | Riser 4 |
| 3. | SL3_CPU1_PA2 (signal connector on system board)/ SL4_CPU1_PB2 (signal connector on system board)/ SL7_CPU1_PB4 (signal connector on system board)/ SL8_CPU1_PA4 (signal connector on system board)/ SIG_PWR_2 (system board power connector) | GPU Riser R (SLOT36/ SLOT38/ RDW) |
| 4. | SL1_CPU2_PA1 (signal connector on system board)/ SL2_CPU2_PB1 (signal connector on system board)/ SL5_CPU2_PB3 (signal connector on system board)/ SL6_CPU2_PA3 (signal connector on system board)/ SIG_PWR_0 (system board power connector) | GPU Riser L (SLOT31/ SLOT33/ LDW) |

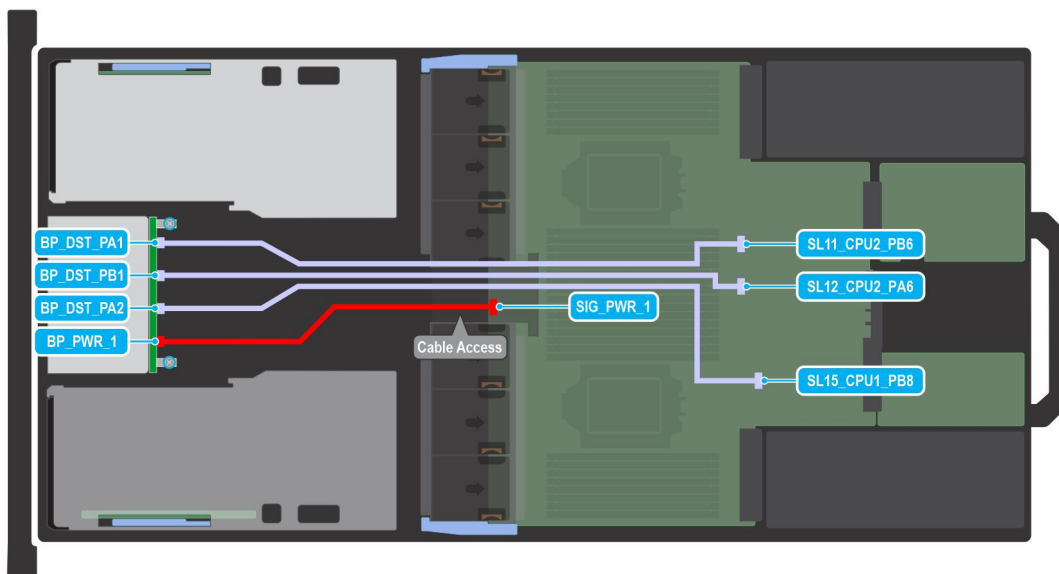


Figure 63. Configuration 0: 6 x 2.5-inch NVMe GPU

NOTE: Follow the sequential order as shown in the table to remove the cables, to install the cables follow the reverse sequential order.

Table 65. Configuration 0: 6 x 2.5-inch NVMe GPU

| Order | From | To |
|-------|--|--|
| 1. | SIG_PWR_1 (system board power connector) | BP_PWR_1 (Front backplane power connector) |
| 2. | SL15_CPU1_PB8 (signal connector on system board) | BP_DST_PA2 (backplane signal connector) |
| 3. | SL11_CPU2_PB6 (signal connector on system board) | BP_DST_PA1 (backplane signal connector) |
| 4. | SL12_CPU2_PA6 (signal connector on system board) | BP_DST_PB1 (backplane signal connector) |

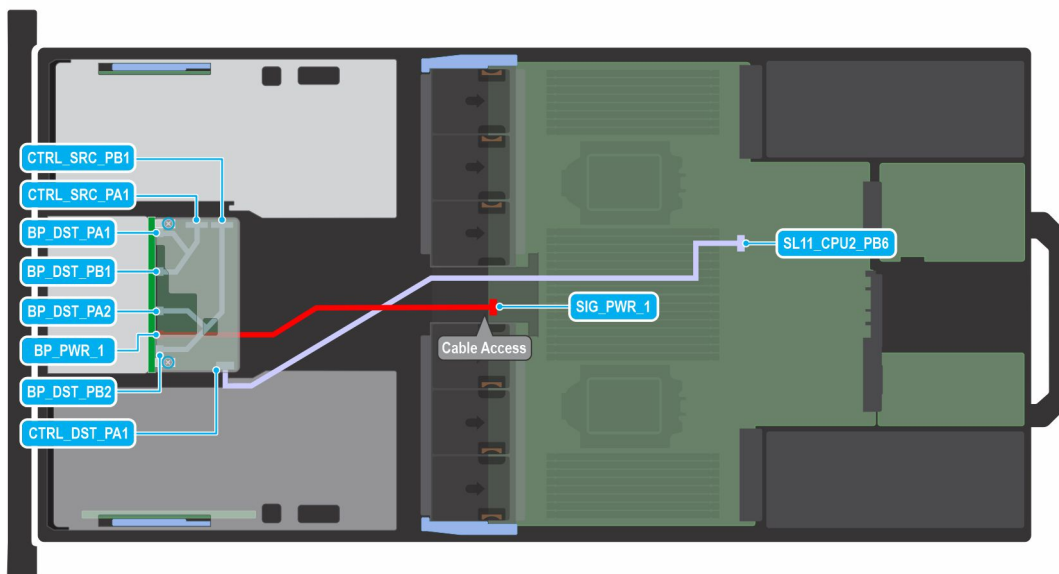


Figure 64. Configuration 1: 8 x 2.5-inch NVMe RAID fPERC11

NOTE: Follow the sequential order as shown in the table to remove the cables, to install the cables follow the reverse sequential order.

Table 66. Configuration 1: 8 x 2.5-inch NVMe RAID fPERC11

| Order | From | To |
|-------|--|---|
| 1. | SIG_PWR_1 (system board power connector) | BP_PWR_1 (Front backplane power connector) |
| 2. | SL11_CPU2_PB6 (signal connector on system board) | CTRL_DST_PA1 (fPERC input connector) |
| 3. | CTRL_SRC_PA1 (fPERC controller connector) | BP_DST_PA1 (backplane signal connector) and BP_DST_PB1 (backplane signal connector) |
| 4. | CTRL_SRC_PB1 (fPERC controller connector) | BP_DST_PA2 (backplane signal connector) and BP_DST_PB2 (backplane signal connector) |

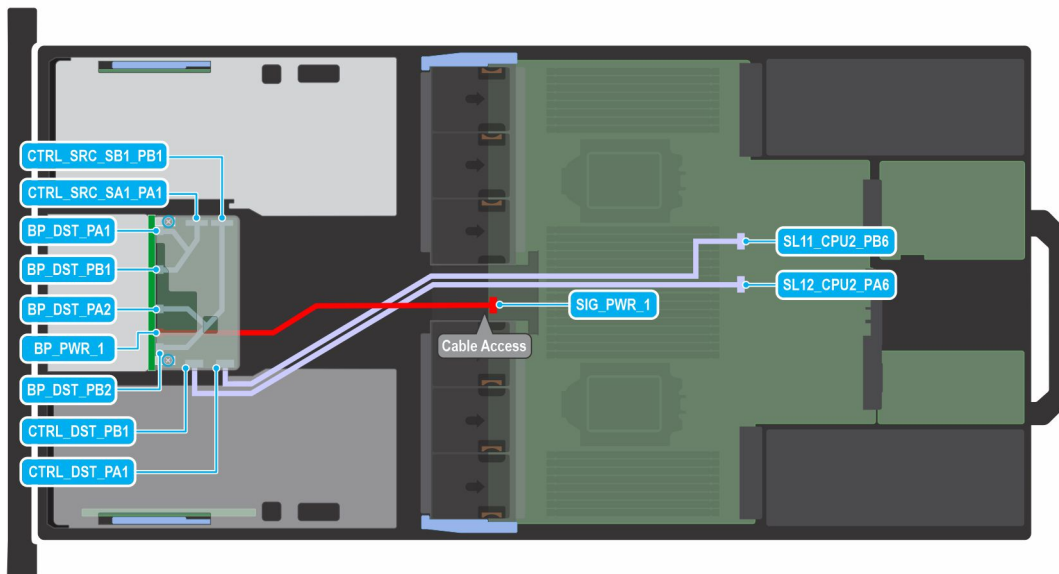


Figure 65. Configuration 2: 8 x 2.5-inch NVMe RAID fPERC12

NOTE: Follow the sequential order as shown in the table to remove the cables, to install the cables follow the reverse sequential order.

Table 67. Configuration 2: 8 x 2.5-inch NVMe RAID fPERC12

| Order | From | To |
|-------|--|---|
| 1. | SIG_PWR_1 (system board power connector) | BP_PWR_1 (Front backplane power connector) |
| 2. | SL11_CPU2_PB6 (signal connector on system board) | CTRL_DST_PA1 (fPERC input connector) |
| 3. | SL12_CPU2_PA6 (signal connector on system board) | CTRL_DST_PB1 (fPERC input connector) |
| 4. | CTRL_SRC_SA1_PA1 (fPERC controller connector) | BP_DST_PA1 (backplane signal connector) and BP_DST_PB1 (backplane signal connector) |
| 5. | CTRL_SRC_SB1_PB1 (fPERC controller connector) | BP_DST_PA2 (backplane signal connector) and BP_DST_PB2 (backplane signal connector) |

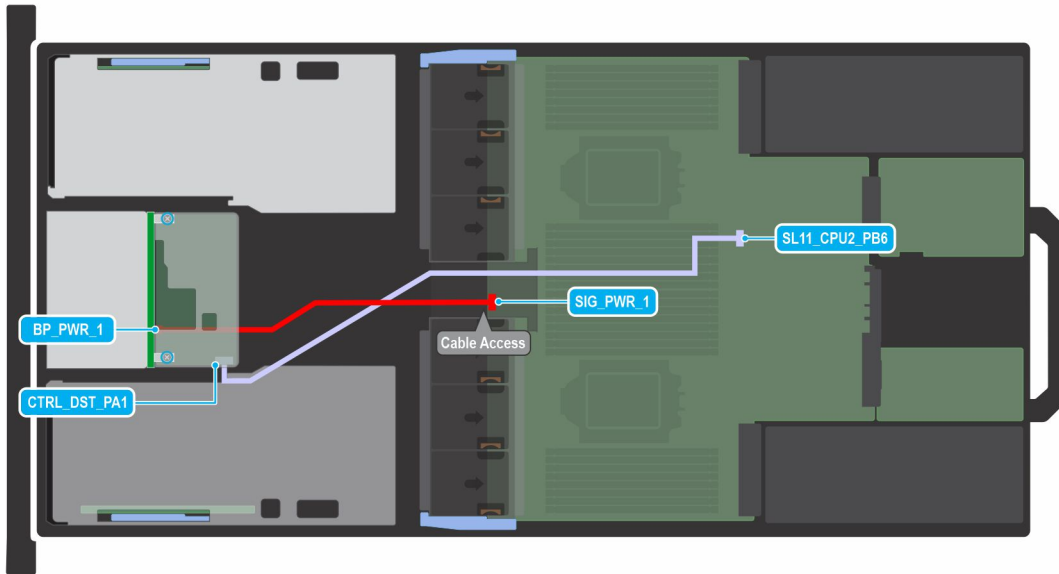


Figure 66. Configuration 3: 8 x 2.5-inch SAS_SATA fPERC11

NOTE: Follow the sequential order as shown in the table to remove the cables, to install the cables follow the reverse sequential order.

Table 68. Configuration 3: 8 x 2.5-inch SAS_SATA fPERC11

| Order | From | To |
|-------|--|--|
| 1. | SIG_PWR_1 (system board power connector) | BP_PWR_1 (Front backplane power connector) |
| 2. | SL11_CPU2_PB6 (signal connector on system board) | CTRL_DST_PA1 (fPERC input connector) |

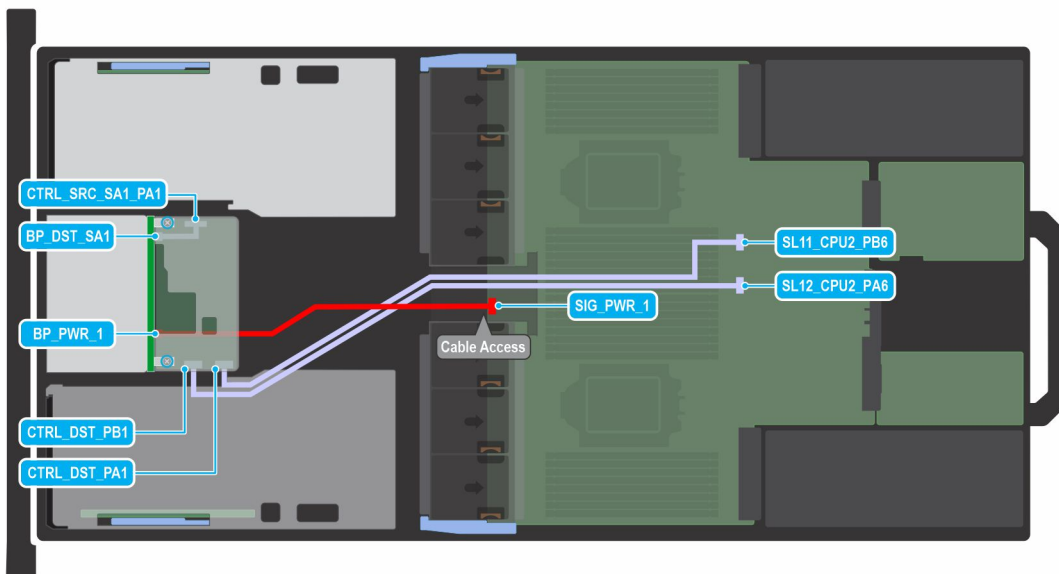


Figure 67. Configuration 4: 8 x 2.5-inch SAS_SATA fPERC12

NOTE: Follow the sequential order as shown in the table to remove the cables, to install the cables follow the reverse sequential order.

Table 69. Configuration 4: 8 x 2.5-inch SAS_SATA fPERC12

| Order | From | To |
|-------|--|--|
| 1. | SIG_PWR_1 (system board power connector) | BP_PWR_1 (Front backplane power connector) |
| 2. | SL11_CPU2_PB6 (signal connector on system board) | CTRL_DST_PA1 (fPERC input connector) |
| 3. | SL12_CPU2_PA6 (signal connector on system board) | CTRL_DST_PB1 (fPERC input connector) |
| 4. | CTRL_SRC_SA1_PA1 (adapter PERC controller connector) | BP_DST_SA1 (backplane expander signal connector) |

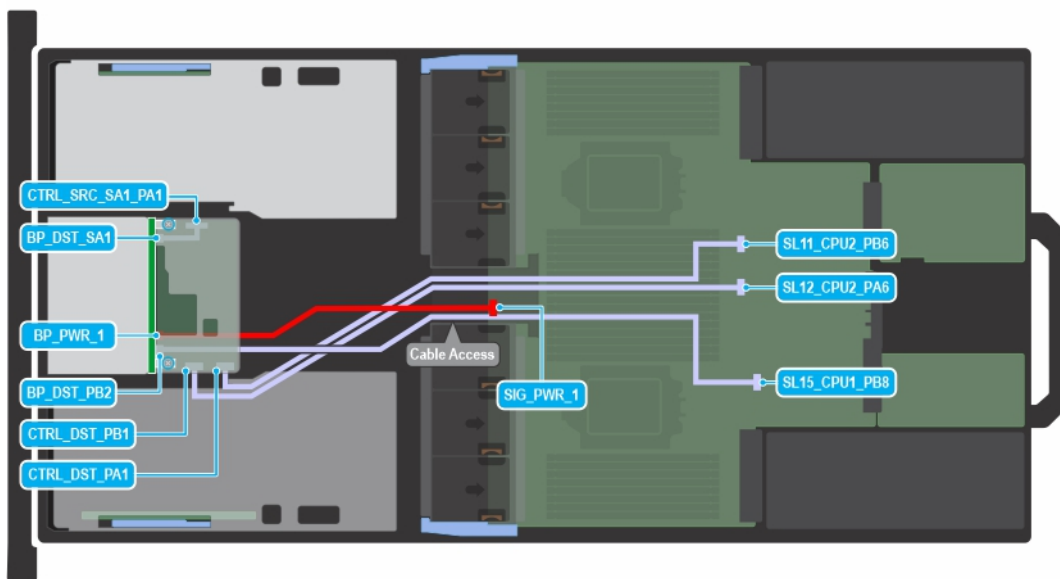


Figure 68. Configuration 5: 8 x 2.5-inch UPassive SAS fPERC12

NOTE: Follow the sequential order as shown in the table to remove the cables, to install the cables follow the reverse sequential order.

Table 70. Configuration 5: 8 x 2.5-inch UPassive SAS fPERC12

| Order | From | To |
|-------|--|--|
| 1. | SIG_PWR_1 (system board power connector) | BP_PWR_1 (Front backplane power connector) |
| 2. | SL11_CPU2_PB6 (signal connector on system board) | CTRL_DST_PA1 (fPERC input connector) |
| 3. | SL12_CPU2_PA6 (signal connector on system board) | CTRL_DST_PB1 (fPERC input connector) |
| 4. | CTRL_SRC_SA1_PA1 (adapter PERC controller connector) | BP_DST_SA1 (backplane expander signal connector) |
| 5. | SL15_CPU1_PB8 (signal connector on system board) | BP_DST_PB2 (backplane signal connector) |

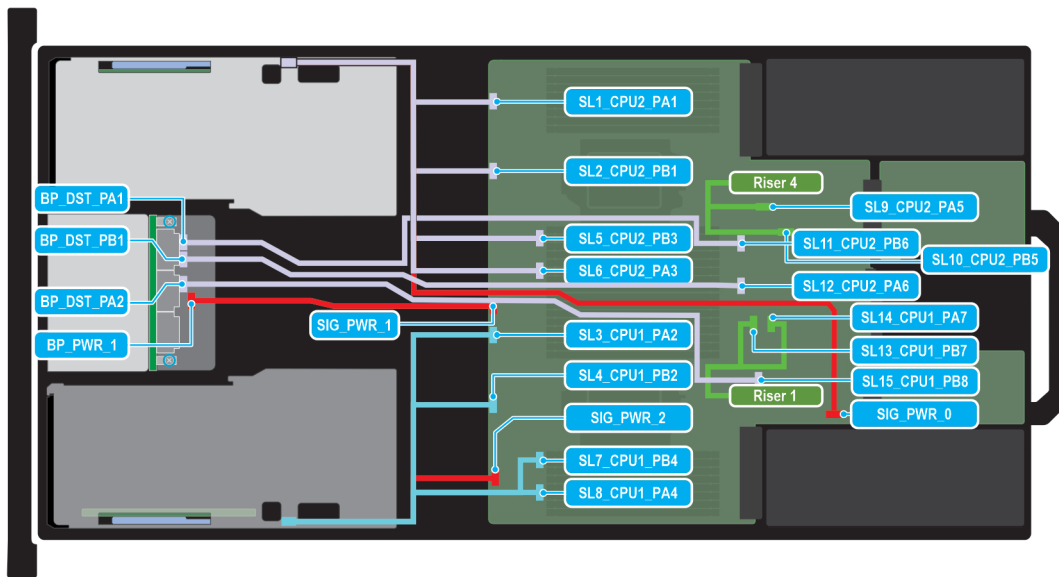


Figure 69. Configuration 6: 6 x E3.S NVMe DW GPU

NOTE: Follow the sequential order as shown in the table to remove the cables, to install the cables follow the reverse sequential order.

Table 71. Configuration 6: 6 x E3.S NVMe DW GPU

| Order | From | To |
|-------|--|--|
| 1. | SIG_PWR_1 (system board power connector) | BP_PWR_1 (Front backplane power connector) |
| 2. | SL13_CPU1_PB7 (signal connector on system board) and SL14_CPU1_PA7 (signal connector on system board) | Riser 1 |
| 3. | SL9_CPU2_PA5 (signal connector on system board) and SL10_CPU2_PB5 (signal connector on system board) | Riser 4 |
| 4. | SL3_CPU1_PA2 (signal connector on system board)/ SL4_CPU1_PB2 (signal connector on system board)/ SL7_CPU1_PB4 (signal connector on system board)/ SL8_CPU1_PA4 (signal connector on system board)/ SIG_PWR_2 (system board power connector) | GPU Riser R (SLOT36/ SLOT38/ RDW) |
| 5. | SL1_CPU2_PA1 (signal connector on system board)/ SL2_CPU2_PB1 (signal connector on system board)/ SL5_CPU2_PB3 (signal connector on system board)/ SL6_CPU2_PA3 (signal connector on system board)/ | GPU Riser L (SLOT31/ SLOT33/ LDW) |

Table 71. Configuration 6: 6 x E3.S NVMe DW GPU (continued)

| Order | From | To |
|-------|--|---|
| | SIG_PWR_0 (system board power connector) | |
| 6. | SL11_CPU2_PB6 (signal connector on system board) | BP_DST_PA1 (backplane signal connector) |
| 7. | SL12_CPU2_PA6 (signal connector on system board) | BP_DST_PB1 (backplane signal connector) |
| 8. | SL15_CPU1_PB8 (signal connector on system board) | BP_DST_PA2 (backplane signal connector) |

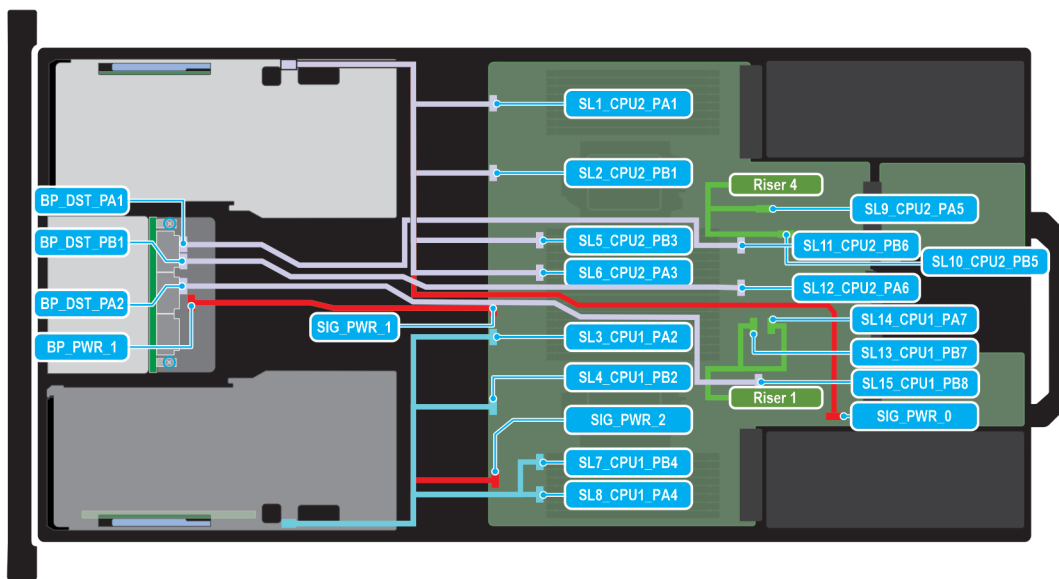


Figure 70. Configuration 6: 6 x E3.S NVMe SW GPU

NOTE: Follow the sequential order as shown in the table to remove the cables, to install the cables follow the reverse sequential order.

Table 72. Configuration 6: 6 x E3.S NVMe SW GPU

| Order | From | To |
|-------|--|---|
| 1. | SIG_PWR_1 (system board power connector) | BP_PWR_1 (Front backplane power connector) |
| 2. | SL13_CPU1_PB7 (signal connector on system board) and SL14_CPU1_PA7 (signal connector on system board) | Riser 1 |
| 3. | SL9_CPU2_PA5 (signal connector on system board) and SL10_CPU2_PB5 (signal connector on system board) | Riser 4 |
| 4. | SL3_CPU1_PA2 (signal connector on system board)/ SL4_CPU1_PB2 (signal connector on system board)/ SL7_CPU1_PB4 (signal | GPU Riser R (SLOT35/ SLOT36/ SLOT37/ SLOT38/ RSW) |

Table 72. Configuration 6: 6 x E3.S NVMe SW GPU (continued)

| Order | From | To |
|-------|--|---|
| | connector on system board)/ SL8_CPU1_PA4 (signal connector on system board)/ SIG_PWR_2 (system board power connector) | |
| 5. | SL1_CPU2_PA1 (signal connector on system board)/ SL2_CPU2_PB1 (signal connector on system board)/ SL5_CPU2_PB3 (signal connector on system board)/ SL6_CPU2_PA3 (signal connector on system board)/ SIG_PWR_0 (system board power connector) | GPU Riser L (SLOT31/ SLOT32/ SLOT33/ SLOT34/ LSW) |
| 6. | SL11_CPU2_PB6 (signal connector on system board) | BP_DST_PA1 (backplane signal connector) |
| 7. | SL12_CPU2_PA6 (signal connector on system board) | BP_DST_PB1 (backplane signal connector) |
| 8. | SL15_CPU1_PB8 (signal connector on system board) | BP_DST_PA2 (backplane signal connector) |

System memory

System memory guidelines

The PowerEdge R760xa system supports DDR5 registered DIMMs (RDIMMs). System memory holds the instructions that are started by the processor.

Your system memory is organized into eight channels per processor (two memory sockets per channel), 16 memory sockets per processor and 32 memory sockets per system.

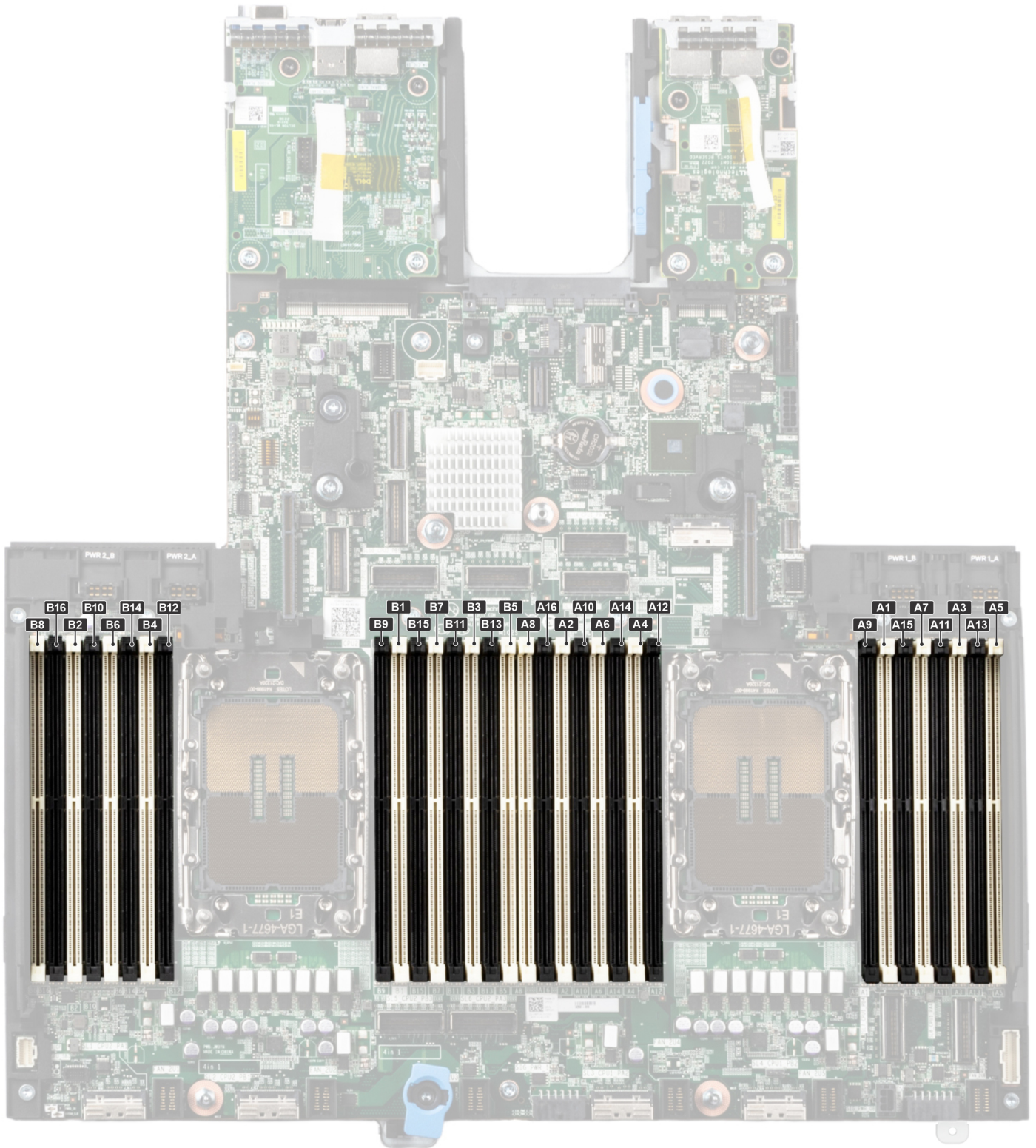


Figure 71. Memory channels

Memory channels are organized as follows:

Table 73. Memory channels

| Processor | Channel A | Channel B | Channel C | Channel D | Channel E | Channel F | Channel G | Channel H |
|-------------|-----------------|------------------|------------------|------------------|------------------|------------------|------------------|------------------|
| Processor 1 | Slots A1 and A9 | Slots A7 and A15 | Slots A3 and A11 | Slots A5 and A13 | Slots A4 and A12 | Slots A6 and A14 | Slots A2 and A10 | Slots A8 and A16 |
| Processor 2 | Slots B1 and B9 | Slots B7 and B15 | Slots B3 and B11 | Slots B5 and B13 | Slots B4 and B12 | Slots B6 and B14 | Slots B2 and B10 | Slots B8 and B16 |

Table 74. Supported memory matrix

| DIMM type | Rank | Capacity | DIMM rated voltage and speed | Operating Speed | |
|-----------|------|--------------|------------------------------|--------------------------|---------------------------|
| | | | | 1 DIMM per channel (DPC) | 2 DIMMs per channel (DPC) |
| RDIMM | 1 R | 16 GB | DDR5 (1.1 V), 4800 MT/s | 4800 MT/s | 4400 MT/s |
| | 2 R | 32 GB, 64 GB | DDR5 (1.1 V), 4800 MT/s | 4800 MT/s | 4400 MT/s |
| | 4 R | 128 GB | DDR5 (1.1 V), 4800 MT/s | 4800 MT/s | 4400 MT/s |
| | 8 R | 256 GB | DDR5 (1.1 V), 4800 MT/s | 4800 MT/s | 4400 MT/s |

General memory module installation guidelines

To ensure optimal performance of your system, observe the following general guidelines when configuring your system memory. If your system's memory configuration fails to observe these guidelines, your system might not boot, stop responding during memory configuration, or operate with reduced memory.

The memory bus may operate at speeds of 4800 MT/s, 4400 MT/s or 4000 MT/s depending on the following factors:

- System profile selected (for example, Performance, Performance Per Watt Optimized (OS), or Custom [can be run at high speed or lower])
- Maximum supported DIMM speed of the processors
- Maximum supported speed of the DIMMs

NOTE: MT/s indicates DIMM speed in MegaTransfers per second.

NOTE: Fault Resilient Memory supports only eight and sixteen DIMMs per processor.

- All DIMMs must be DDR5.
- Memory mixing is not supported for:
 - Different DIMM capacities
 - X4 and X8 DRAM memory modules
 - 3DS and non-3DS RDIMMs

NOTE: 3DS is a DRAM technology used to manufacture the highest capacity DIMMs. Refer to your DIMM documentation for additional details.
- If memory modules with different speeds are installed, they operate at the speed of the slowest installed memory module(s).
- Populate memory module sockets only if a processor is installed.
 - For single-processor systems, sockets A1 to A16 are available.
 - For dual-processor systems, sockets A1 to A16 and sockets B1 to B16 are available.
 - A minimum of 1 DIMM must be populated for each installed processor.
- In **Optimizer Mode**, the DRAM controllers operate independently in the 64-bit mode and provide optimized memory performance.

Table 75. Memory population rules

| Processor | Memory population | Memory population information |
|---|--|---|
| Single processor | A{1}, A{2}, A{3}, A{4}, A{5}, A{6}, A{7}, A{8}, A{9}, A{10}, A{11}, A{12}, A{13}, A{14}, A{15}, A{16} | 1, 2, 4, 6, 8, 12 or 16 DIMMs are allowed. |
| Dual processor (Start with processor1. Processor 1 and processor 2 population should match) | A{1}, B{1}, A{2}, B{2}, A{3}, B{3}, A{4}, B{4}, A{5}, B{5}, A{6}, B{6}, A{7}, B{7}, A{8}, B{8}, A{9}, B{9}, A{10}, B{10}, A{11}, B{11}, A{12}, B{12}, A{13}, B{13}, A{14}, B{14}, A{15}, B{15}, A{16}, B{16} | 2, 4, 8, 12, 16, 24 or 32 DIMMs are supported per system. |

- Populate all the sockets with white release tabs first, followed by the sockets with black release tabs.
- Unbalanced or odd memory configurations result in a performance loss, and the system may not identify the memory modules being installed. Always populate memory channels identically with equal DIMMs for best performance.
- Supported RDIMM configurations are 1, 2, 4, 6, 8, 12, or 16 DIMMs per processor.

Removing a memory module

Prerequisites

1. Follow the safety guidelines listed in the [Safety instructions](#).
2. Follow the procedure listed in the [Before working inside your system](#).
3. [Remove the air shroud](#).

⚠ WARNING: The memory modules are hot to touch for some time after the system has been powered off. Allow the memory modules to cool before handling them.

Steps

1. Locate the appropriate memory module socket.
2. To release the memory module from the socket, simultaneously press the ejectors on both ends of the memory module socket to fully open.

⚠ CAUTION: Handle each memory module only by the card edges, ensuring not to touch the middle of the memory module or metallic contacts.

3. Lift the memory module away from the system.

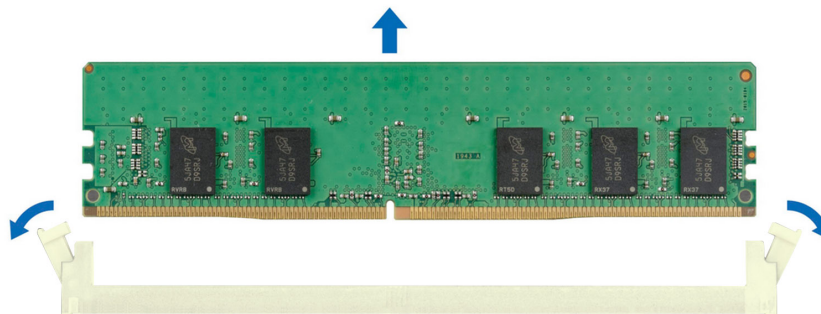


Figure 72. Removing a memory module

Next steps

Replace the memory module.

Installing a memory module

Prerequisites

1. Follow the safety guidelines listed in the [Safety instructions](#).
2. Follow the procedure listed in the [Before working inside your system](#).
3. [Remove the air shroud](#).

Steps

1. Locate the appropriate memory module socket.

CAUTION: Handle each memory module only by the card edges, ensuring not to touch the middle of the memory module or metallic contacts.

2. If a memory module is installed in the socket, remove it.
3. Align the edge connector of the memory module with the alignment key of the memory module socket, and insert the memory module in the socket.

NOTE: Ensure the socket ejector latches are fully open, before installing the memory module.

CAUTION: To prevent damage to the memory module or the memory module socket during installation, do not bend or flex the memory module; insert both ends of the memory module simultaneously.

NOTE: The memory module socket has an alignment key that enables you to install the memory module in the socket in only one orientation.

CAUTION: Do not apply pressure at the center of the memory module; apply pressure at both ends of the memory module evenly.

4. Press the memory module with your thumbs until the ejectors firmly click into place. When the memory module is properly seated in the socket, the levers on the memory module socket align with the levers on the other sockets that have memory modules installed.

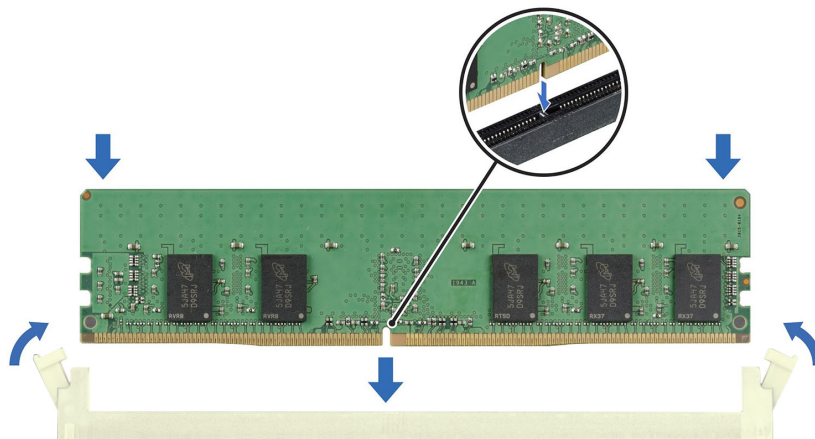


Figure 73. Installing a memory module

Next steps

1. [Install the air shroud.](#)
2. Follow the procedure listed in [After working inside your system.](#)
3. To verify if the memory module has been installed properly, press F2 and navigate to **System Setup Main Menu > System BIOS > Memory Settings**. In the **Memory Settings** screen, the System Memory Size must reflect the updated capacity of the installed memory.
4. If the System Memory Size is incorrect, one or more of the memory modules may not be installed properly. Ensure that the memory modules are firmly seated in their sockets.
5. Run the system memory test in system diagnostics.


Processor and heat sink module

This is a service technician replaceable part only.

Removing the processor and heat sink module

Prerequisites

1. Follow the safety guidelines listed in the [Safety instructions](#).
2. Follow the procedure listed in the [Before working inside your system](#).
3. [Remove the air shroud.](#)

 **NOTE:** The heat sink and processor are hot to touch for some time after the system has been powered off. Allow the heat sink and processor to cool down before handling them.

Steps

1. Ensure all four anti-tilt wires are in the locked position (outward position), and then using a Torx T30 tool, loosen the captive nuts on the processor heat sink module (PHM) in the order that is mentioned below:
 - a. Loosen the first nut three turns.
 - b. Loosen the nut diagonally opposite to the nut loosened first.
 - c. Repeat the procedure for the remaining two nuts.
 - d. Return to the first nut and loosen it completely.
2. Set all the anti-tilt wires to unlocked position (inward position).

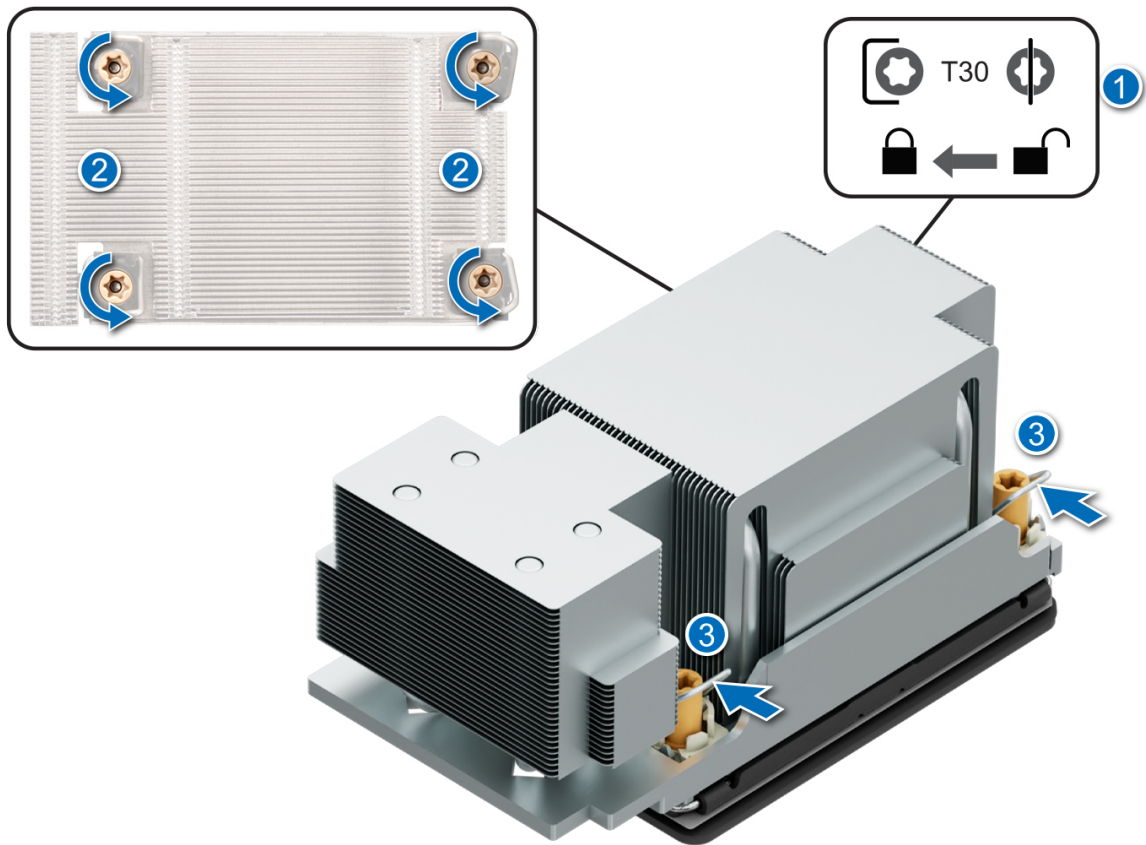


Figure 74. Removing the processor heat sink module

3. Lift the PHM from the system and set the PHM aside with the processor side facing up.

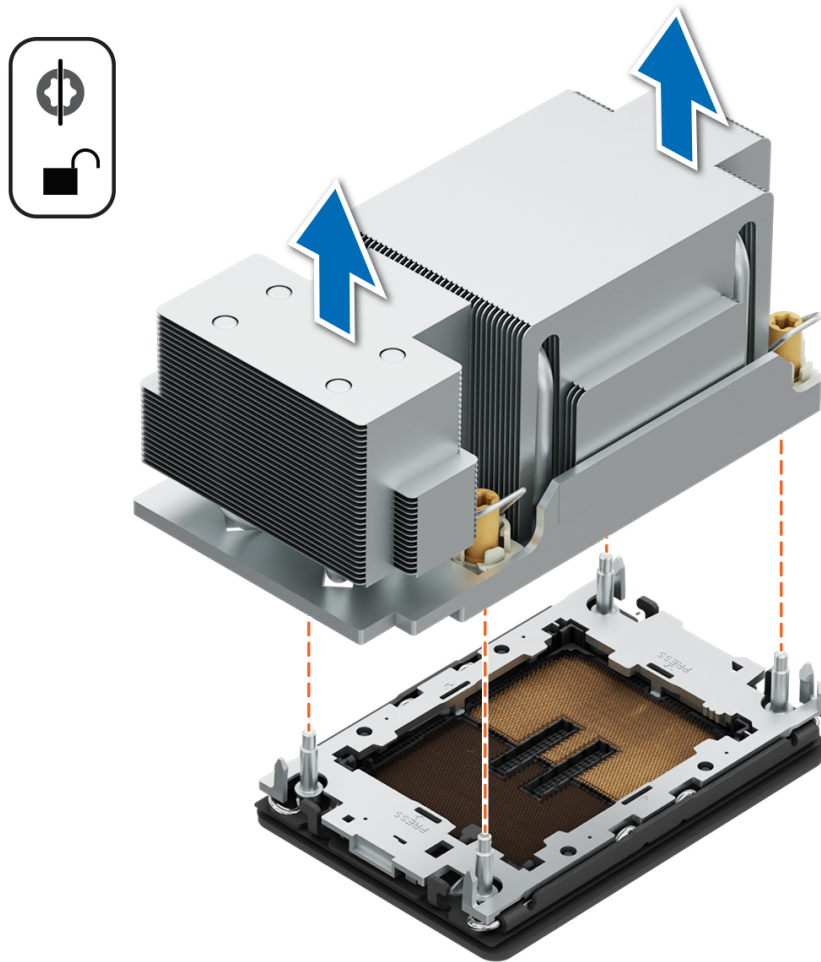


Figure 75. Removing a heat sink

Next steps

If you are removing a faulty heat sink, [replace the heat sink](#), if not, [remove the processor](#).

Removing the processor

Prerequisites

⚠ WARNING: Remove the processor from processor and heat sink module (PHM) only if you are replacing the processor or heat sink.

1. Follow the safety guidelines listed in the [Safety instructions](#).
2. Follow the procedure listed in the [Before working inside your system](#).
3. [Remove the air shroud](#).
4. [Removing the processor and heat sink module](#) or [Removing the liquid cooling module](#).

⚠ CAUTION: You may find the CMOS battery loss or CMOS checksum error displayed during the first instance of powering on the system after the processor or system board replacement which is expected. To fix this, simply go to setup option to configure the system settings.

Steps

1. Place the heat sink with the processor side facing up.

- Using your thumb, lift up the Thermal Interface Material (TIM) break lever to release the processor from the TIM and retaining clip.
 - Holding the processor by the edges, lift the processor away from the retaining clip.
- NOTE:** Ensure to hold the retaining clip to the heat sink as you lift the TIM break lever.

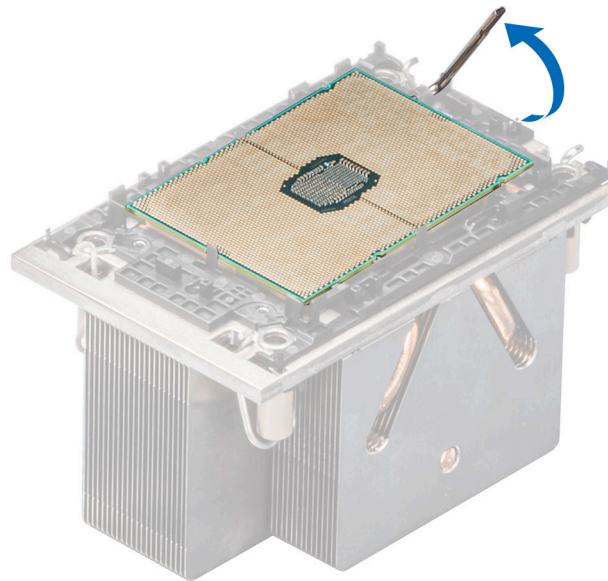


Figure 76. Lift up the TIM break lever

- Using your thumb and index finger, first hold the retaining clip release tab at the pin 1 connector, pull out the tip of the release tab, and then lift the retaining clip partially from the heat sink.
- NOTE:** Ensure to return the TIM break lever back to its original position.
- Repeat the above procedure at the remaining three corners of the retaining clip.
 - After all the corners are released from the heat sink, lift the retaining clip from the pin 1 corner of the heat sink.

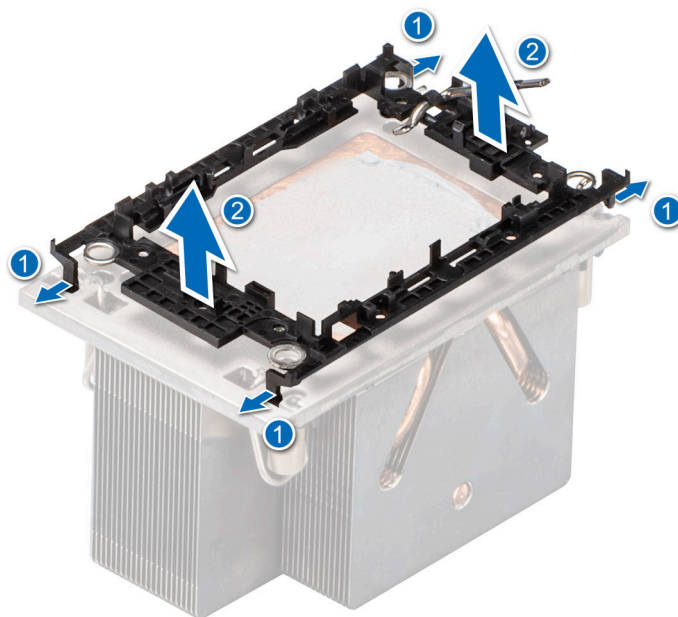


Figure 77. Removing the retaining clip

Next steps

Replace the processor.

Installing the processor

Prerequisites

1. Follow the safety guidelines listed in the [Safety instructions](#).
2. Follow the procedure listed in [Before working inside your system](#).
3. [Remove the air shroud](#).
4. [Remove the processor heat sink module](#) or [Remove the liquid cooling module](#).

Steps

1. Place the processor in the processor tray.

i **NOTE:** Ensure the pin 1 indicator on the processor tray is aligned with the pin 1 indicator on the processor.

2. Place the retaining clip on top of the processor in the processor tray aligning pin 1 indicator on the processor.

i **NOTE:** Ensure the pin 1 indicator on the bracket is aligned with the pin 1 indicator on the processor before placing the retaining clip on the processor.

i **NOTE:** Before you install the heat sink, ensure to place the processor and retaining clip in the tray.

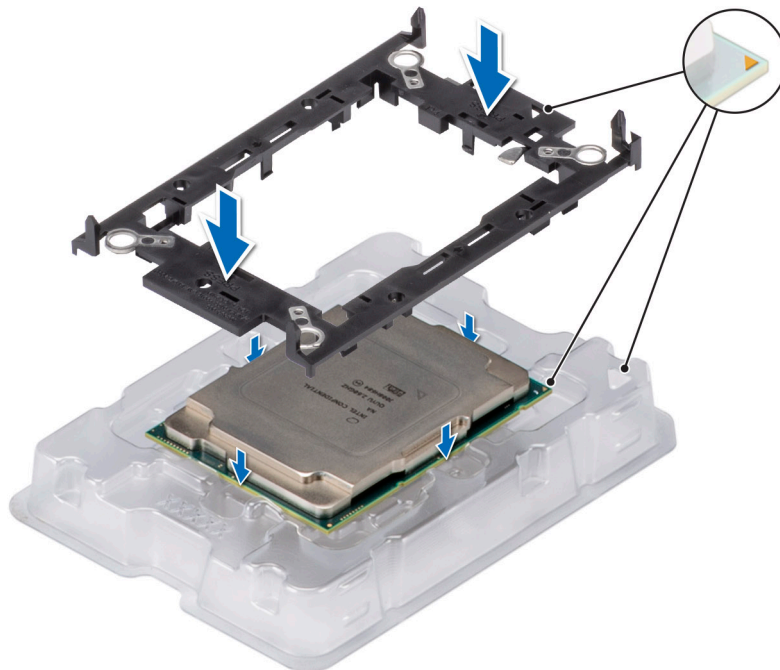


Figure 78. Installing the retaining clip

3. Align the processor with retaining clip, by using the fingers press the retaining clip on all the four sides until it clicks into place.

i **NOTE:** Ensure the processor is securely latched to the retaining clip.

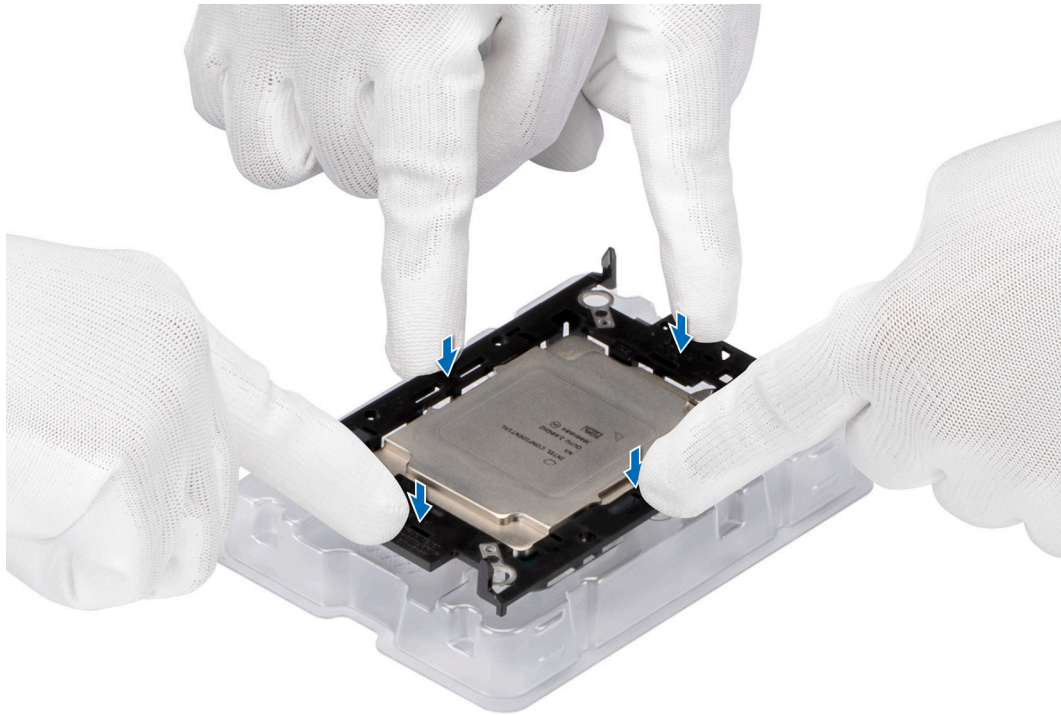


Figure 79. Press the retaining clip on the four sides

4. If you are using an existing heat sink, remove the thermal grease from the heat sink by using a clean lint-free cloth.
5. Apply thermal grease in a quadrilateral design on the bottom of the heat sink.

CAUTION: Applying too much thermal grease can result in excess grease coming in contact with and contaminating the processor socket.

NOTE: The thermal grease syringe is intended for single use only. Dispose the syringe after you use it.

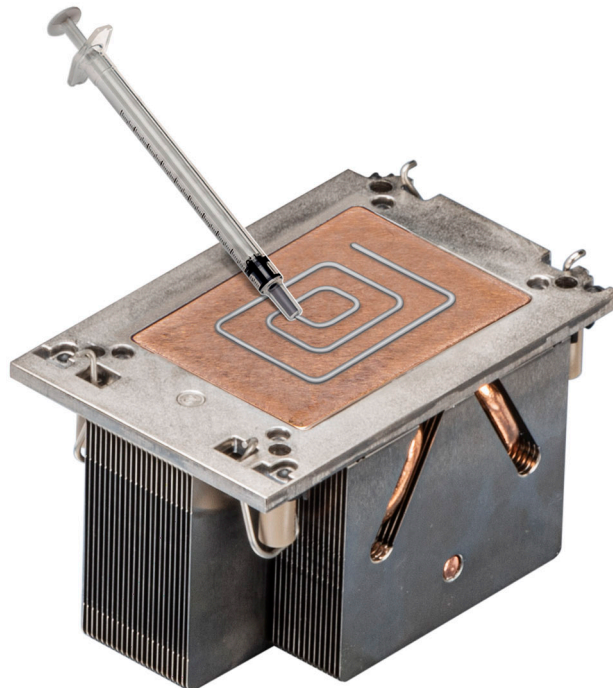


Figure 80. Applying thermal grease

6. For new heat sink, remove the Thermal Interface Material (TIM) protective film from the base of heat sink.

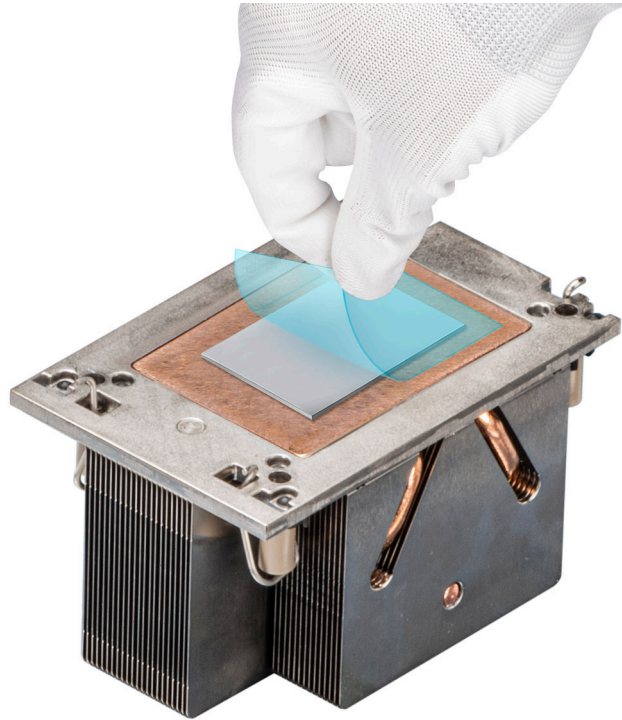


Figure 81. Removing the Thermal Interface Material (TIM) protective film

7. Place the heat sink on the processor and press the base of the heat sink until the retaining clip locks onto the heat sink at all the four corners.

CAUTION: To avoid damaging the fins on the heat sink, do not press down on the heat sink fins.

NOTE:

- Ensure latching features on retaining clip and heat sink are aligned during assembly.
- Ensure that the pin 1 indicator on the heat sink is aligned with the pin 1 indicator on the retaining clip before placing the heat sink onto the retaining clip.

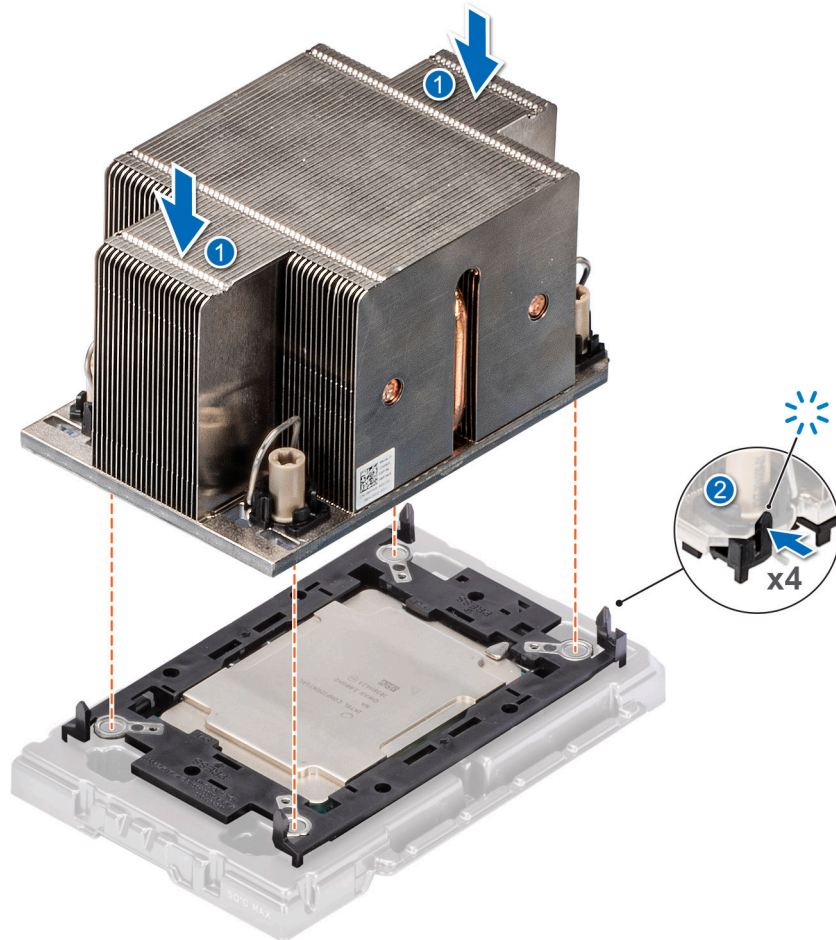


Figure 82. Installing the heat sink onto the processor

Next steps

1. Install the heat sink module or install the liquid cooling module.
2. Install the air shroud.
3. Follow the procedure listed in [After working inside your system](#).

Installing the processor and heat sink module

Prerequisites

Never remove the heat sink from a processor unless you intend to replace the processor or system board. The heat sink is necessary to maintain proper thermal conditions.

1. Follow the safety guidelines listed in the [Safety instructions](#).
2. Follow the procedure listed in the [Before working inside your system](#).
3. [Remove the air shroud](#).
4. If installed, remove the processor dust cover.

Steps

1. Set the anti-tilt wires to the unlocked position on the heat sink (inward position).
2. Align the pin 1 indicator of the heat sink to the system board, and then place the processor and heat sink on the processor socket.

CAUTION: To avoid damaging the fins on the heat sink, do not press down on the heat sink fins.

NOTE: Ensure that the PHM is held parallel to the system board to prevent damaging the components.

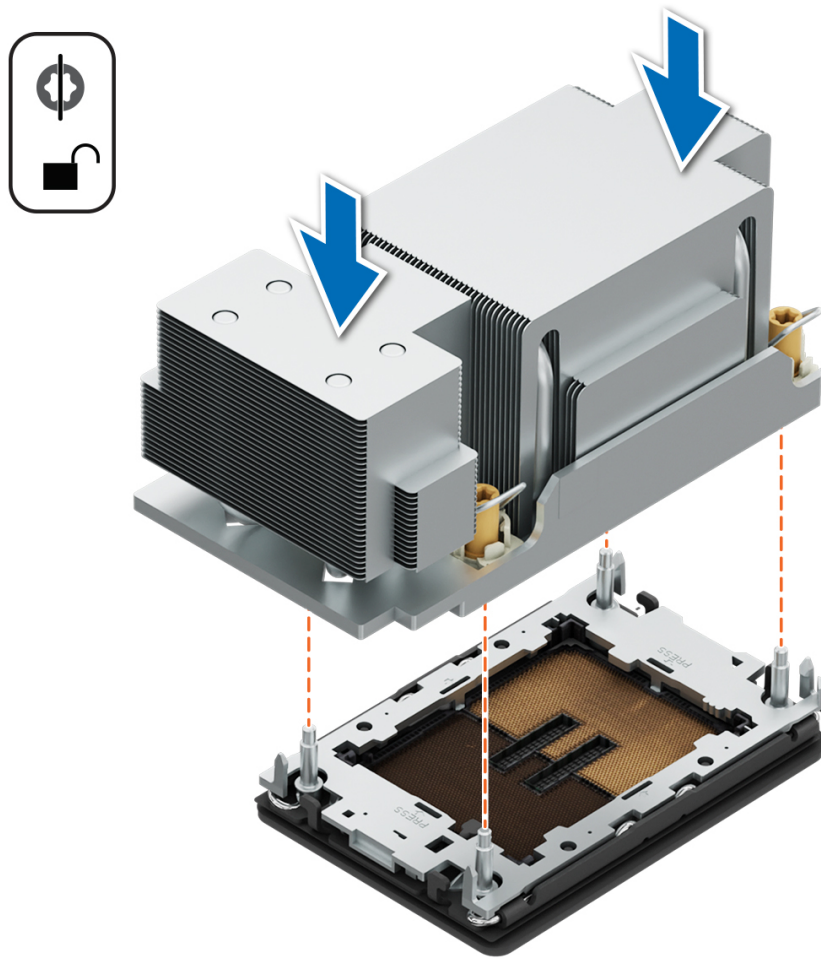


Figure 83. Installing the processor heat sink

3. Set the anti-tilt wires to the locked position (outward position), and then using the Torx T30 tool, tighten the captive butts on the PHM in the order below:
 - a. In a random order, tighten the first nut three turns.
 - b. Tighten the nut diagonally opposite to the nut you tighten first.
 - c. Repeat the procedure for the remaining two nuts.
 - d. Return to the nut screw to tighten it completely.
 - e. Check all the nuts to ensure they are firmly secured.

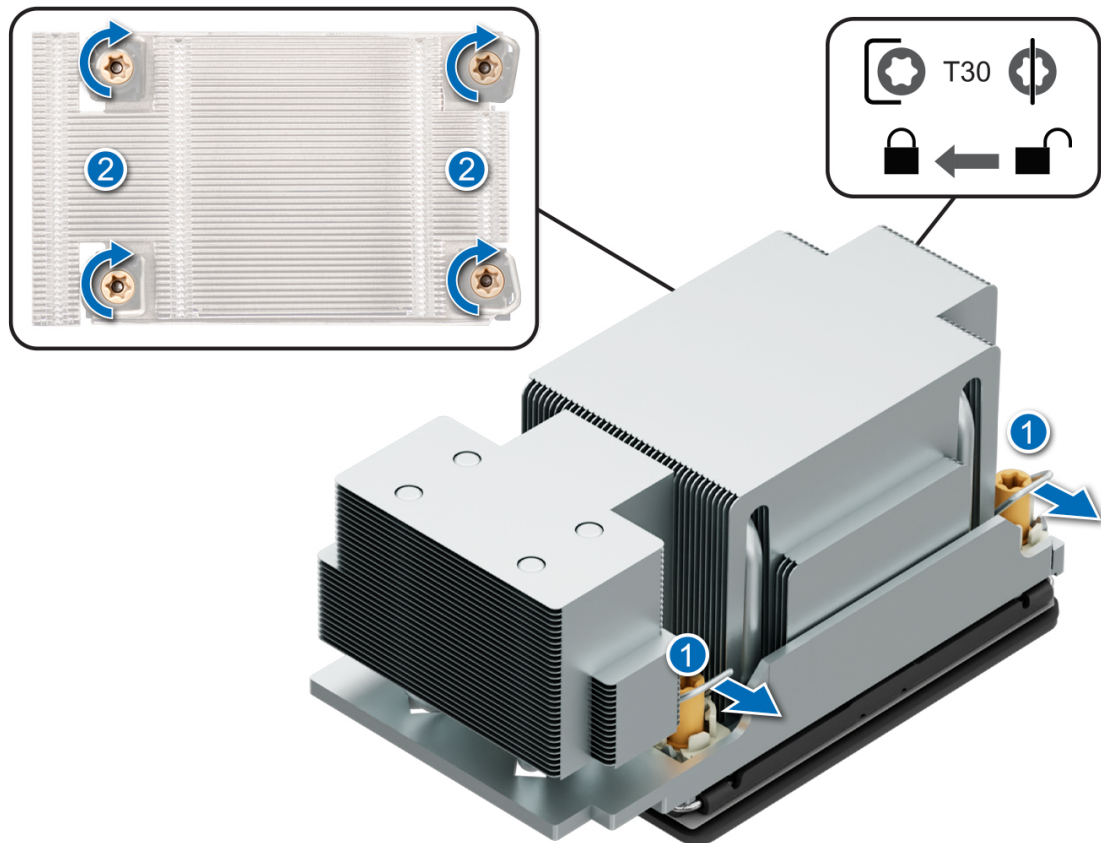


Figure 84. Set the anti-tilt wires to the locked position and tightening the screws

Next steps

1. [Install the air shroud.](#)
2. Follow the procedure listed in the [After working inside your system.](#)

Removing the liquid cooling module

Prerequisites

1. Follow the safety guidelines listed in the [Safety instructions.](#)
2. Follow the procedure listed in the [Before working inside your system.](#)
3. [Remove the air shroud.](#)
4. [Remove the expansion card riser.](#)

⚠ WARNING: The liquid cooling (LC) module and processor are too hot to touch for some time after the system has been powered off. Allow the liquid cooling module and processor to cool down before handling them.

ℹ NOTE: Rear I/O (RIO) board is different for the system with liquid cooling heat sink modules.

ℹ NOTE: The procedure to remove the processor from the liquid cooling module is same as removing the processor from the PHM.

Steps

1. Using a Phillips #2 screw driver, loosen the captive screw on the liquid cooling ring holder.
2. Tilt the liquid cooling ring holder to loosen the liquid cooling tubes.

3. Disconnect the liquid cooling leak detection cable from the LC RIO board.
4. Remove the liquid cooling tubes from the clip and LC RIO board.
5. Slightly lift the liquid cooling tubes surrounding the DIMM slots.
6. Using a Torx #T30 screwdriver, loosen the captive screws on the liquid cooling module.
- i **NOTE:** Ensure the anti-tilt wires on the liquid cooling module are in locked position when loosening the captive screws.
7. Set the anti-tilt wires on the liquid cooling module to the unlock position and lift the liquid module from the system.
- i **NOTE:** The numbers on the image do not depict the exact steps. The numbers are for representation of sequence.

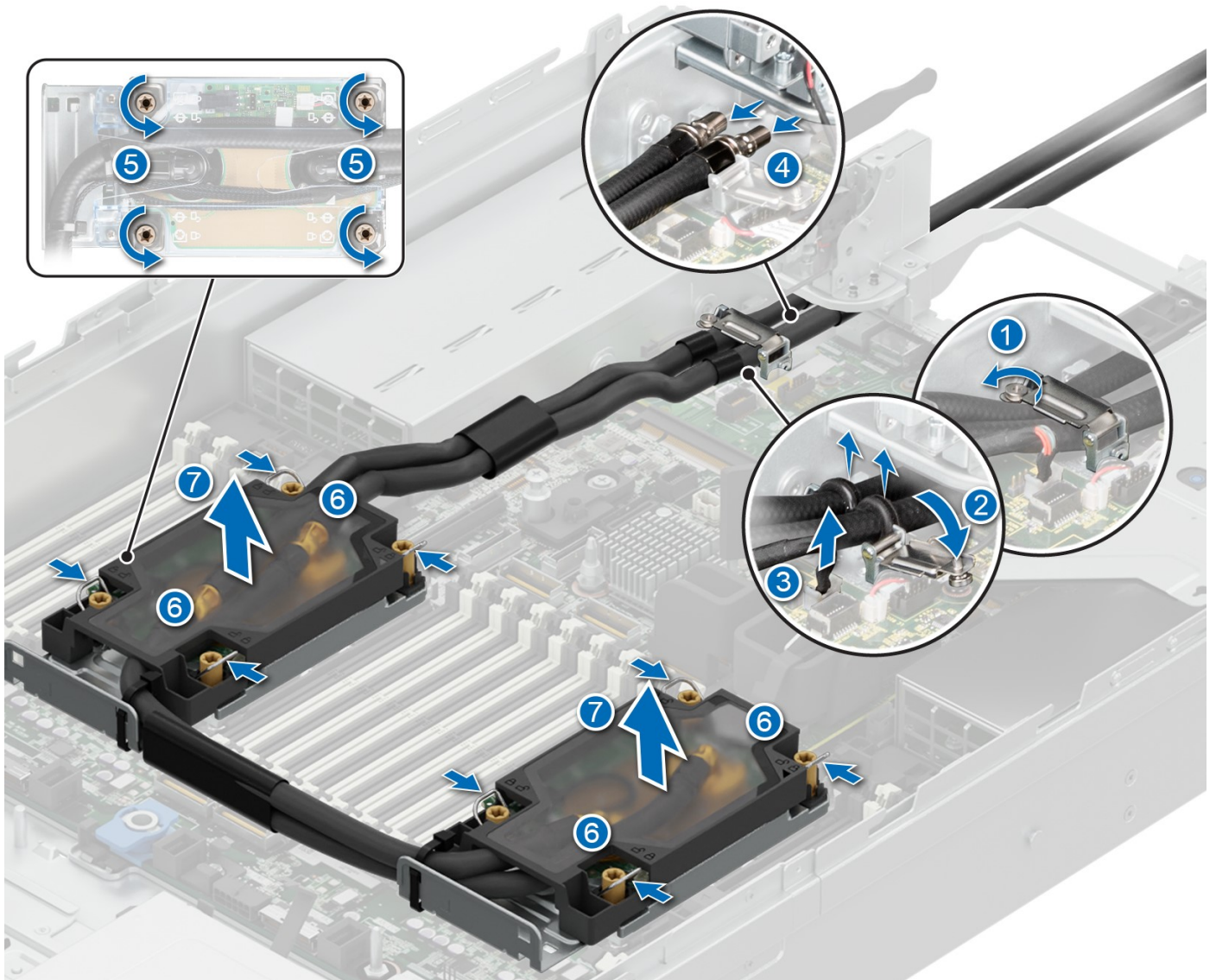


Figure 85. Removing the liquid cooling module

Next steps


1. If you are removing a faulty liquid cooling module, [replace the liquid cooling modules](#), else [remove the processor](#).


Installing the liquid cooling module

Prerequisites

Never uninstall the heat sink from a processor unless you intend to replace the processor or system board. The heat sink is necessary to maintain proper thermal conditions.

1. Follow the safety guidelines listed in the [Safety instructions](#).
2. Follow the procedure listed in the [Before working inside your system](#).
3. [Remove the air shroud](#).
4. [Remove the expansion card riser](#).
5. If installed, remove the processor dust cover.

 **NOTE:** The procedure to install the processor onto the liquid cooling module is same as installing the processor onto the PHM.


 **NOTE:** Ensure anti-tilt wires on the liquid cooling module are in the unlocked position.

Steps


1. Align the liquid cooling module with the standoff screws on the system board.

 **NOTE:** Ensure that the liquid cooling tubes and liquid cooling leak detection cable are placed towards the rear of the system.


2. Place the module on the processor slot and set all the anti-tilt wires to locked position (outward position).
3. Route the liquid cooling tubes on the front of the system between DIMM slots and J_SL connector.
4. Using a Torx #T30 screwdriver, tighten the captive screws (12 in-lbs).
5. The tubes leading towards the rear of the chassis and the liquid cooling leak detection cable are placed in between the PSU 2 and the clip of rear I/O board (RIO).

 **NOTE:** Leak detection cable must be placed first into the clip (underneath the cooling tubes), then place tube 2 and tube 1 into the clip to ensure cable does not interfere with the PCIe risers.

6. Route the rear end of the liquid cooling tubes through the RIO board.

 **NOTE:** Follow the number labels on the liquid cooling tubes and ring holders (1,2).

7. Connect the liquid cooling leak detection cable to the connector on RIO.
8. Align the rubber ring on the tubes with the liquid cooling ring holder.
9. Tilt the liquid cooling ring holder and using a Phillips #2 screwdriver, tighten the captive screw on the liquid cooling ring holder to secure it in place.

 **NOTE:** The numbers on the image do not depict the exact steps. The numbers are for representation of sequence.

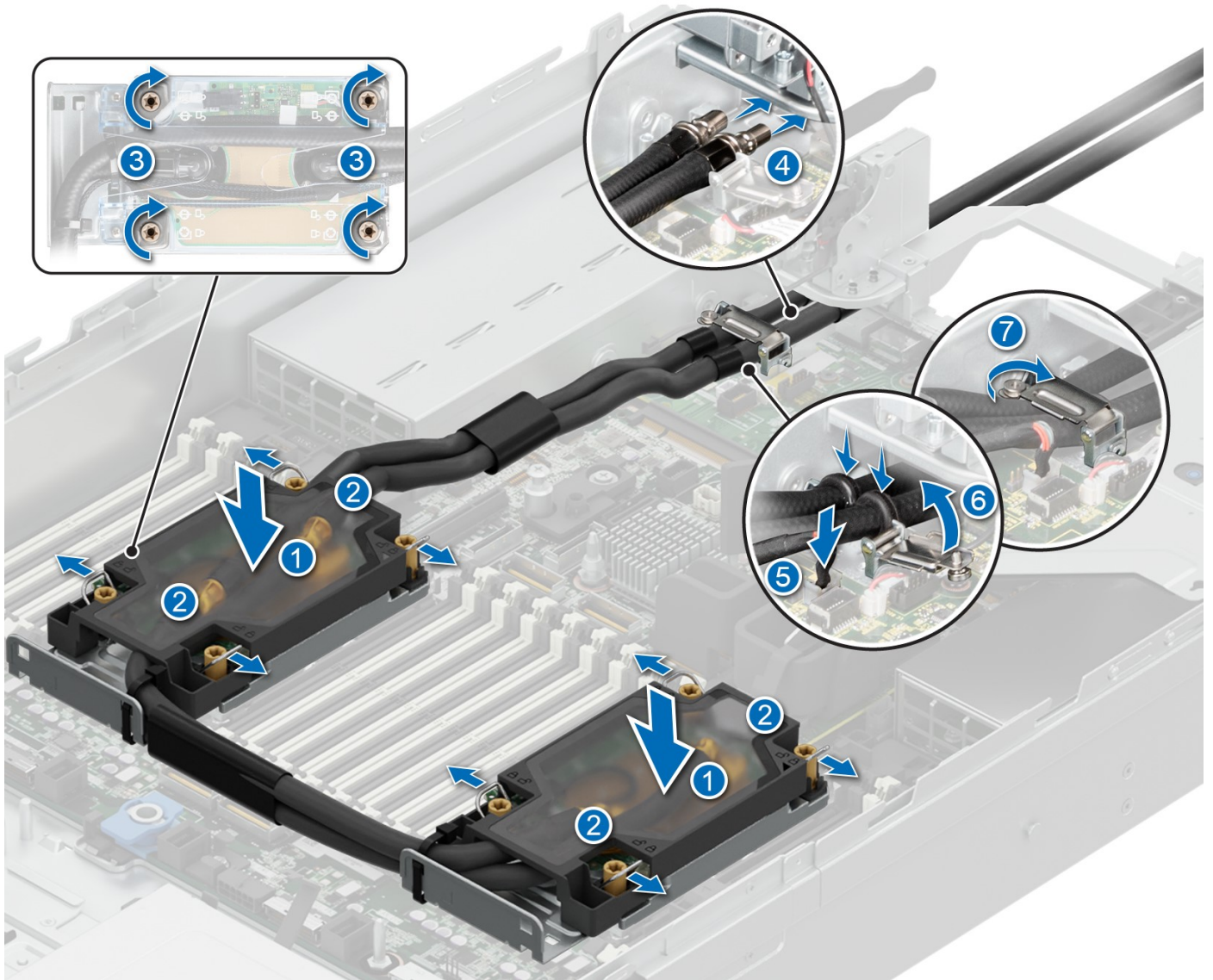


Figure 86. Installing the liquid cooling module

Next steps

1. Install the expansion card riser.
2. Installing the air shroud.
3. Follow the procedure listed in the *After working inside your system*.

Expansion cards and expansion card risers

NOTE: A system event entry is logged in the iDRAC Lifecycle Controller if an expansion card riser is not supported or missing. It does not prevent your system from getting powered on. However, if a F1/F2 pause occurs with an error message, see *Troubleshooting expansion cards* section in the *Dell PowerEdge Servers Troubleshooting Guide* at www.dell.com/poweredgemanuals.

Expansion card installation guidelines

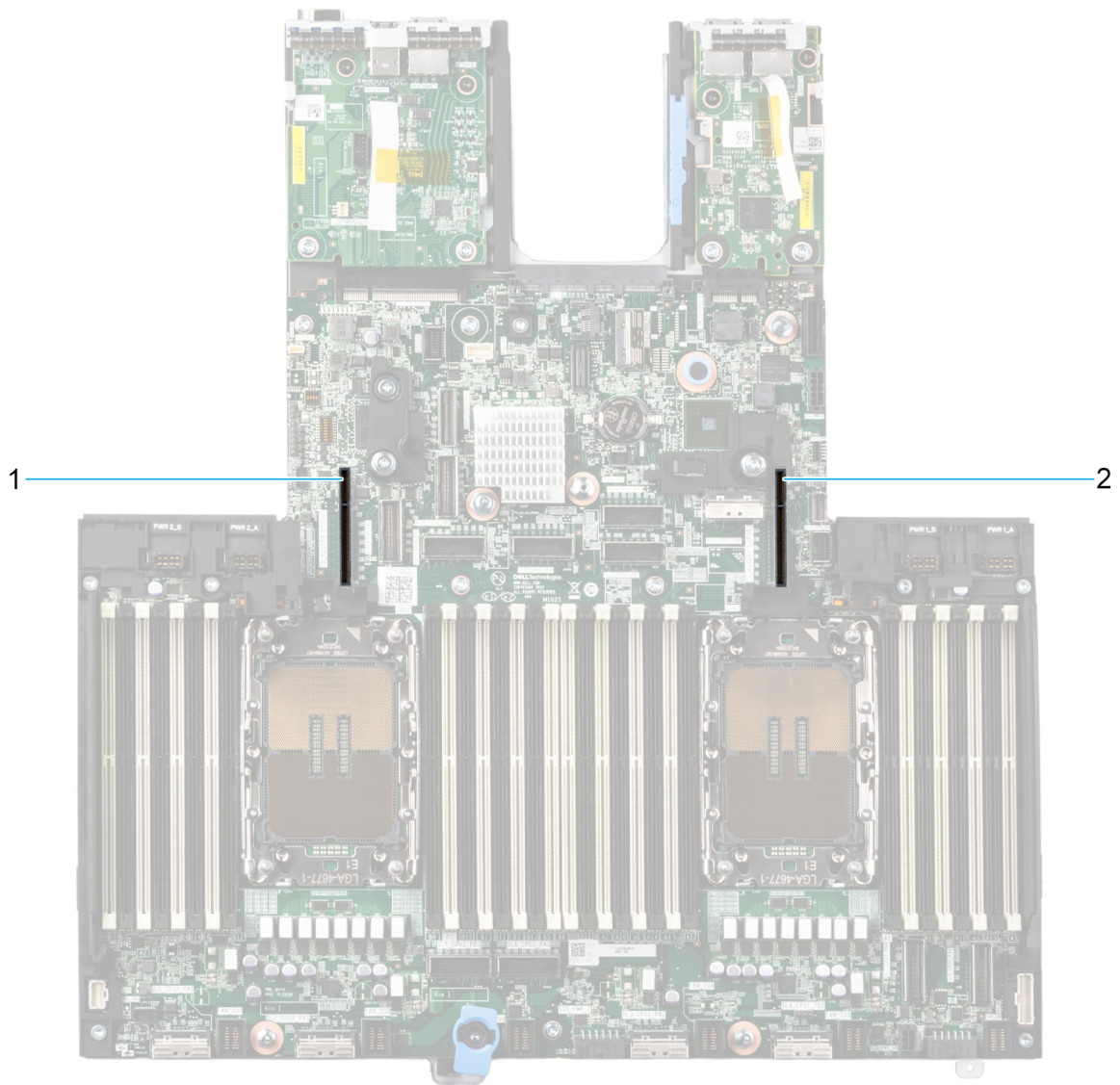


Figure 87. Expansion card slot connectors

1. Riser 4
2. Riser 1

The following table describes the expansion card riser configurations:

Table 76. Riser configurations

| Configurations | Expansion card risers | PCIe Slots | Controlling processor | Height | Length | Slot width |
|-----------------------------------|-----------------------|------------|-----------------------|---------------------------|-------------|------------|
| Config 0-1. Without GPU bridge | R1V | 1 and 2 | Processor 1 | Full height | Half length | x16 + x16 |
| | RF1A | 36 and 38 | Processor 1 | Full Height, double width | Full length | x16 + x16 |
| | R4T | 7 and 8 | Processor 2 | Full height | Half length | x16 + x16 |

Table 76. Riser configurations (continued)

| Configurations | Expansion card risers | PCIe Slots | Controlling processor | Height | Length | Slot width |
|--|-----------------------|-------------------|-----------------------|---------------------------|-------------|-------------------|
| 4 x16 Rear FH + 4 x16 Front FH DW | RF2A | 31 and 33 | Processor 2 | Full Height, double width | Full length | x16 + x16 |
| Config 0-1. With GPU bridge 4 x16 Rear FH + 4 x16 Front FH DW | R1V | 1 and 2 | Processor 1 | Full height | Half length | x16 + x16 |
| | RF1A | 36 and 38 | Processor 1 | Full Height, double width | Full length | x16 + x16 |
| | R4T | 7 and 8 | Processor 2 | Full height | Half length | x16 + x16 |
| | RF2A | 31 and 33 | Processor 2 | Full Height, double width | Full length | x16 + x16 |
| Config1. 4 x16 Rear FH + 8 x8 Front FH SW | R1V | 1 and 2 | Processor 1 | Full height | Half length | x16 + x16 |
| | R4T | 7 and 8 | Processor 2 | Full height | Half length | x16 + x16 |
| | RF1B | 35, 36, 37 and 38 | Processor 1 | Full Height, single width | Full length | x8 + x8 + x8 + x8 |
| | RF2B | 31, 32, 33 and 34 | Processor 2 | Full Height, single width | Full length | x8 + x8 + x8 + x8 |

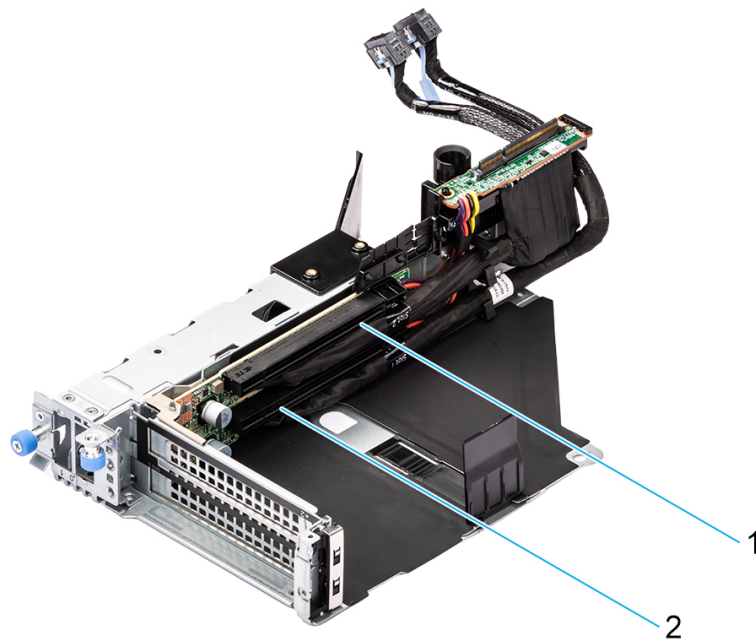


Figure 88. Riser R1V

1. Slot 2
2. Slot 1

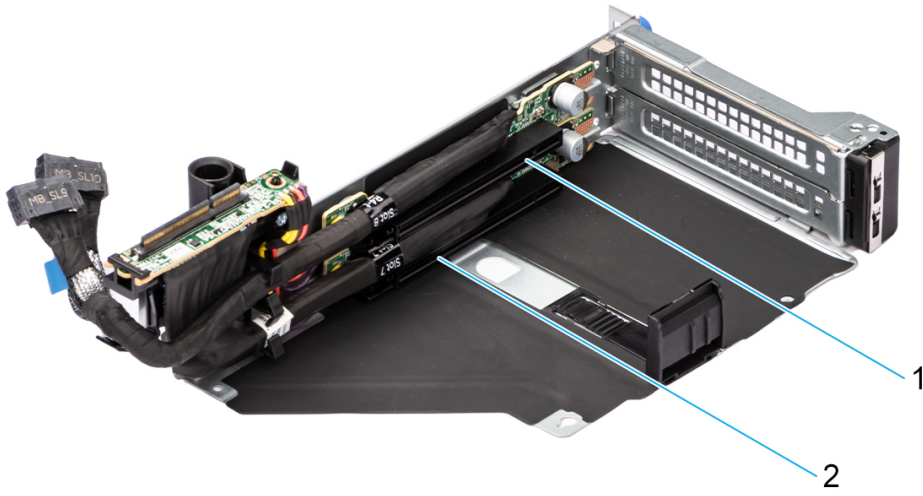


Figure 89. Riser R4T

- 1. Slot 8
- 2. Slot 7

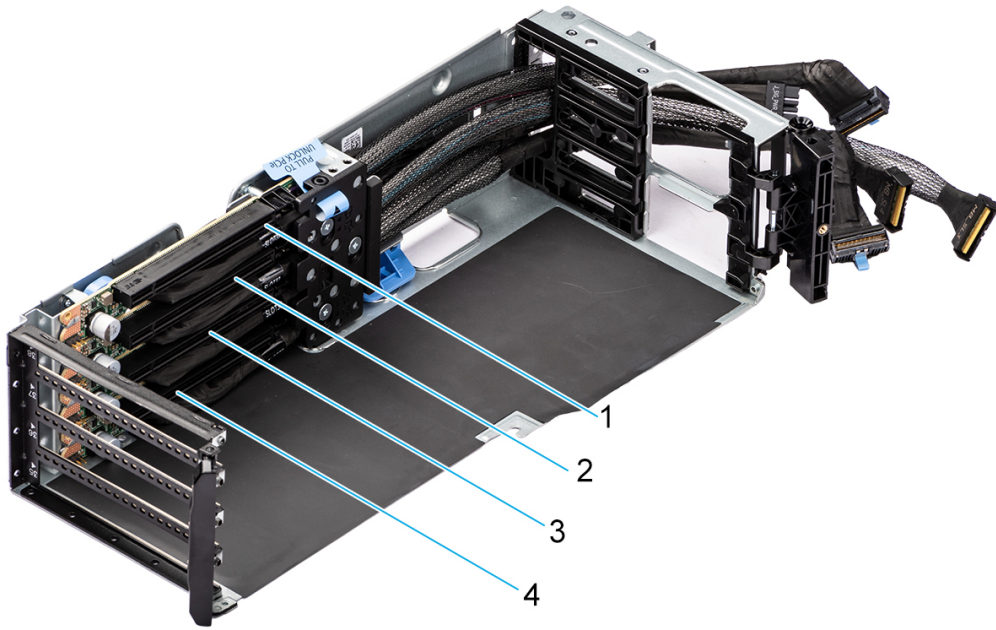


Figure 90. GPU Right Riser RF1B

- 1. Slot 38
- 2. Slot 37
- 3. Slot 36
- 4. Slot 35

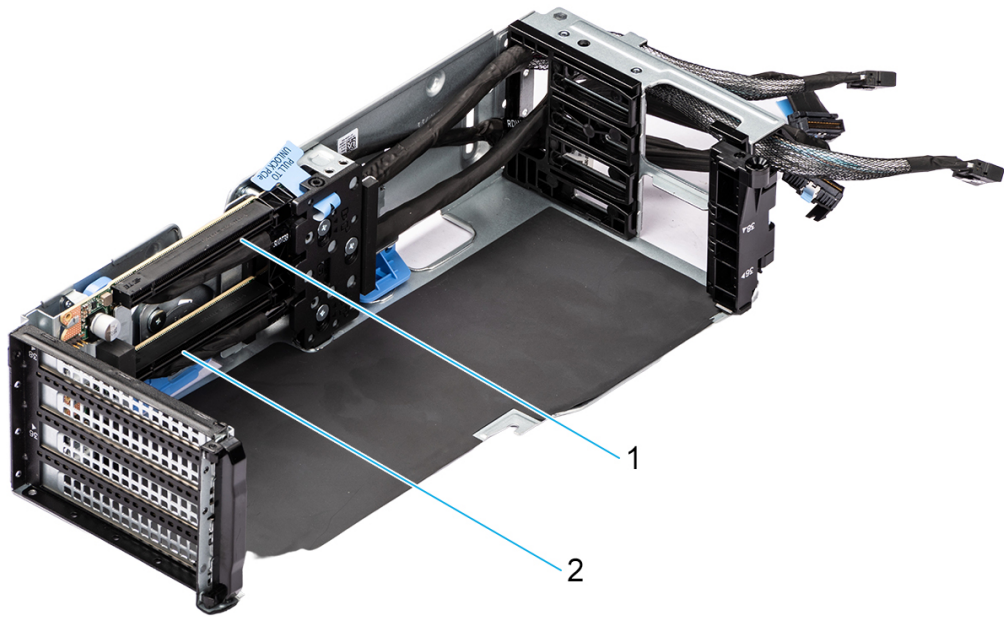


Figure 91. GPU Right Riser RF1A

- 1. Slot 38
- 2. Slot 36

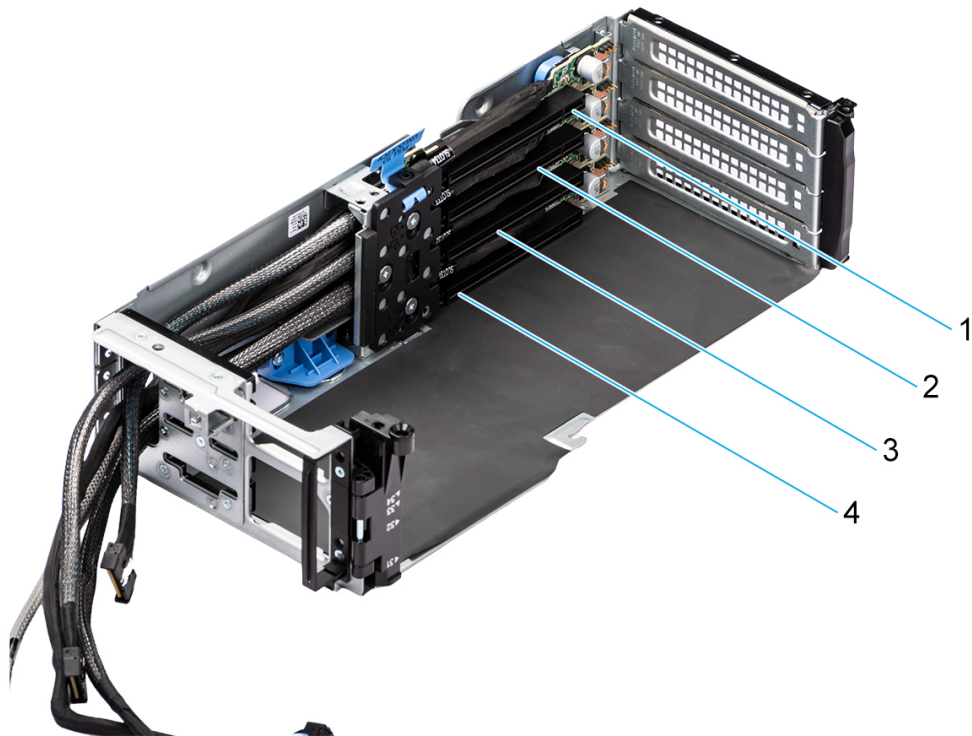


Figure 92. GPU Left Riser RF2B

- 1. Slot 34
- 2. Slot 33
- 3. Slot 32
- 4. Slot 31

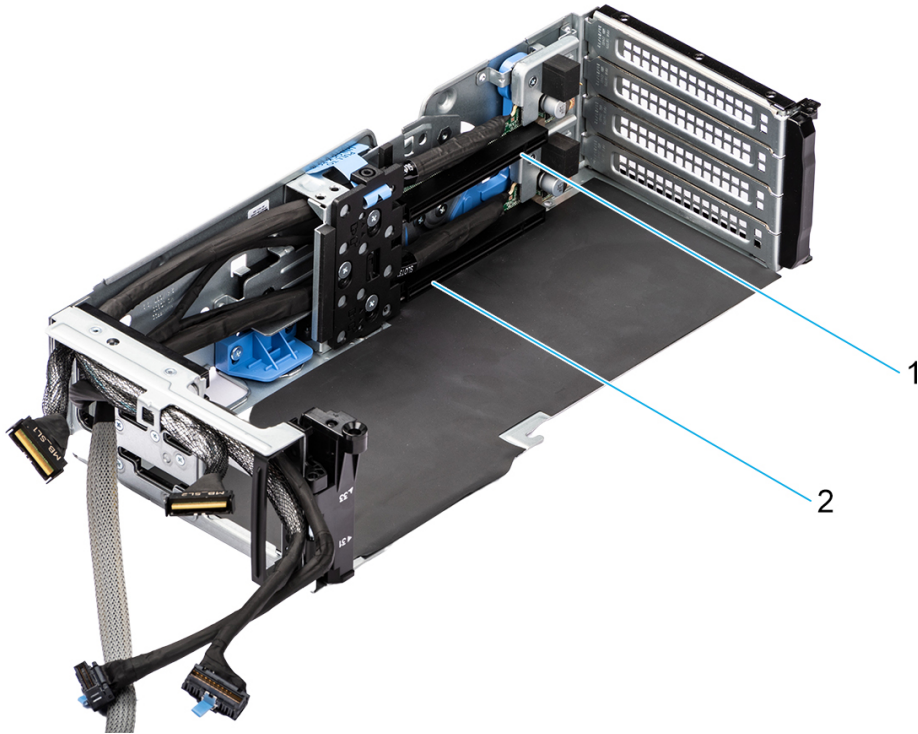


Figure 93. GPU Left Riser RF2A

1. Slot 33
2. Slot 31

NOTE: The expansion-card slots are not hot-swappable.

The following table provides guidelines for installing expansion cards to ensure proper cooling and mechanical fit. The expansion cards with the highest priority should be installed first using the slot priority indicated. All the other expansion cards should be installed in the card priority and slot priority order.

Table 77. Config 0-1. RF1A+RF2A+R1V+R4T Without GPU bridge

| Card type | Slot priority | Maximum number of cards |
|--------------------------|---------------|-------------------------|
| Inventec (VGA) | 8 | 1 |
| Inventec (Serial) | 8 | 1 |
| Nvidia(MLNX) (DPU: 25Gb) | 2, 7, 1 | 3 |
| Inventec (LOM Card) | INT | 1 |
| Broadcom (OCP: 25Gb) | INT | 1 |
| Mellanox (OCP: 25Gb) | INT | 1 |
| Intel (OCP: 25Gb) | INT | 1 |
| Broadcom (OCP: 10Gb) | INT | 1 |
| Intel (OCP: 10Gb) | INT | 1 |
| Broadcom (OCP: 1Gb) | INT | 1 |
| Intel (OCP: 1Gb) | INT | 1 |
| Foxconn (BOSS) | INT | 1 |
| Foxconn (Front PERC12) | INT | 1 |
| Foxconn (Front PERC11) | INT | 1 |
| Foxconn (HBA11) | INT | 1 |

Table 77. Config 0-1. RF1A+RF2A+R1V+R4T Without GPU bridge (continued)

| Card type | Slot priority | Maximum number of cards |
|------------------------------|----------------------------|-------------------------|
| Foxconn (External Adapter) | 2, 7, 1 | 1 |
| FOXCONN (External Adapter) | 2, 7, 1 | 3 |
| Nvidia (GPU) | 31, 36, 33, 38 | 4 |
| AMD (GPU) | 31, 36, 33, 38 | 4 |
| Nvidia (GPU) | 31, 36, 33, 38, 8, 2, 7, 1 | 8 |
| Mellanox (NIC: NDR200) | 2, 7, 1 | 3 |
| Mellanox (NIC: NDR) | 2, 7, 1 | 3 |
| Mellanox (NIC: HDR100 VPI) | 2, 7, 1 | 3 |
| Mellanox (NIC: 100Gb) | 2, 7, 1 | 3 |
| Broadcom (NIC: 100Gb) | 2, 7, 1 | 3 |
| Intel (NIC: 100Gb) | 2, 7, 1 | 3 |
| Intel (NIC: 25Gb) | 2, 7, 1 | 3 |
| Broadcom (NIC: 25Gb) | 2, 7, 1 | 3 |
| Mellanox (NIC: 25Gb) | 2, 7, 1 | 3 |
| Broadcom (HBA:FC64) | 2, 7, 1 | 3 |
| Broadcom (HBA: FC32) | 2, 7, 1 | 3 |
| Qlogic (Marvell) (HBA: FC32) | 2, 7, 1 | 3 |
| Broadcom (NIC: 10Gb) | 2, 7, 1 | 3 |
| Intel (NIC: 10Gb) | 2, 7, 1 | 3 |
| Intel (NIC: 1Gb) | 2, 7, 1 | 3 |
| Broadcom (NIC: 1Gb) | 2, 7, 1 | 3 |

Table 78. Config 0-1. RF1A+RF2A +R1V+R4T With GPU bridge

| Card type | Slot priority | Maximum number of cards |
|--------------------------|---------------|-------------------------|
| Inventec (VGA) | 8 | 1 |
| Inventec (Serial) | 8 | 1 |
| Nvidia(MLNX) (DPU: 25Gb) | 2, 7, 1 | 3 |
| Inventec (LOM Card) | INT | 1 |
| Broadcom (OCP: 25Gb) | INT | 1 |
| Mellanox (OCP: 25Gb) | INT | 1 |
| Intel (OCP: 25Gb) | INT | 1 |
| Broadcom (OCP: 10Gb) | INT | 1 |
| Intel (OCP: 10Gb) | INT | 1 |
| Broadcom (OCP: 1Gb) | INT | 1 |
| Intel (OCP: 1Gb) | INT | 1 |
| Foxconn (BOSS) | INT | 1 |
| Foxconn (Front PERC12) | INT | 1 |
| Foxconn (Front PERC11) | INT | 1 |

Table 78. Config 0-1. RF1A+RF2A +R1V+R4T With GPU bridge (continued)

| Card type | Slot priority | Maximum number of cards |
|------------------------------|----------------|-------------------------|
| Foxconn (HBA11) | INT | 1 |
| Foxconn (External Adapter) | 2, 7, 1 | 1 |
| FOXCONN (External Adapter) | 2, 7, 1 | 3 |
| Nvidia (GPU) | 31, 33, 36, 38 | 4 |
| Mellanox (NIC: NDR200) | 2, 7, 1 | 3 |
| Mellanox (NIC: NDR) | 2, 7, 1 | 3 |
| Mellanox (NIC: HDR100 VPI) | 2, 7, 1 | 3 |
| Mellanox (NIC: 100Gb) | 2, 7, 1 | 3 |
| Broadcom (NIC: 100Gb) | 2, 7, 1 | 3 |
| Intel (NIC: 100Gb) | 2, 7, 1 | 3 |
| Intel (NIC: 25Gb) | 2, 7, 1 | 3 |
| Broadcom (NIC: 25Gb) | 2, 7, 1 | 3 |
| Mellanox (NIC: 25Gb) | 2, 7, 1 | 3 |
| Broadcom (HBA:FC64) | 2, 7, 1 | 3 |
| Broadcom (HBA: FC32) | 2, 7, 1 | 3 |
| Qlogic (Marvell) (HBA: FC32) | 2, 7, 1 | 3 |
| Broadcom (NIC: 10Gb) | 2, 7, 1 | 3 |
| Intel (NIC: 10Gb) | 2, 7, 1 | 3 |
| Intel (NIC: 1Gb) | 2, 7, 1 | 3 |
| Broadcom (NIC: 1Gb) | 2, 7, 1 | 3 |

Table 79. Config 1. RF1B+RF2B+R1V+R4T

| Card type | Slot priority | Maximum number of cards |
|--------------------------|---------------|-------------------------|
| Inventec (VGA) | 8 | 1 |
| Inventec (Serial) | 8 | 1 |
| Nvidia(MLNX) (DPU: 25Gb) | 2, 7, 1 | 3 |
| Inventec (LOM Card) | INT | 1 |
| Broadcom (OCP: 25Gb) | INT | 1 |
| Mellanox (OCP: 25Gb) | INT | 1 |
| Intel (OCP: 25Gb) | INT | 1 |
| Broadcom (OCP: 10Gb) | INT | 1 |
| Intel (OCP: 10Gb) | INT | 1 |
| Broadcom (OCP: 1Gb) | INT | 1 |
| Intel (OCP: 1Gb) | INT | 1 |
| Foxconn (BOSS) | INT | 1 |
| FOXCONN (Front PERC12) | INT | 1 |
| FOXCONN (Front PERC11) | INT | 1 |
| FOXCONN (HBA11) | INT | 1 |


Table 79. Config 1. RF1B+RF2B+R1V+R4T (continued)


| Card type | Slot priority | Maximum number of cards |
|------------------------------|--|-------------------------|
| Foxconn (External Adapter) | 2, 7, 1 | 1 |
| FOXCONN (External Adapter) | 2, 7, 1 | 3 |
| Nvidia (GPU) | 31, 35, 32, 36, 33, 37, 34, 38, 8, 2, 7, 1 | 12 |
| Mellanox (NIC: NDR200) | 2, 7, 1 | 3 |
| Mellanox (NIC: NDR) | 2, 7, 1 | 3 |
| Mellanox (NIC: HDR100 VPI) | 2, 7, 1 | 3 |
| Mellanox (NIC: 100Gb) | 2, 7, 1 | 3 |
| Broadcom (NIC: 100Gb) | 2, 7, 1 | 3 |
| Intel (NIC: 100Gb) | 2, 7, 1 | 3 |
| Intel (NIC: 25Gb) | 2, 7, 1 | 3 |
| Broadcom (NIC: 25Gb) | 2, 7, 1 | 3 |
| Mellanox (NIC: 25Gb) | 2, 7, 1 | 3 |
| Broadcom (HBA:FC64) | 2, 7, 1 | 3 |
| Broadcom (HBA: FC32) | 2, 7, 1 | 3 |
| Qlogic (Marvell) (HBA: FC32) | 2, 7, 1 | 3 |
| Broadcom (NIC: 10Gb) | 2, 7, 1 | 3 |
| Intel (NIC: 10Gb) | 2, 7, 1 | 3 |
| Intel (NIC: 1Gb) | 2, 7, 1 | 3 |
| Broadcom (NIC: 1Gb) | 2, 7, 1 | 3 |

Removing the expansion card risers

Prerequisites

1. Follow the safety guidelines listed in the [Safety instructions](#).
2. Follow the procedure listed in the [Before working inside your system](#).
3. If applicable, disconnect the cables from the expansion card or system board.

 **NOTE:** Only Riser 1 and Riser 4 are supported.

 **WARNING:** If BOSS-N1 module is installed, ensure to disconnect the BOSS-N1 power cable before removing riser 3 blank, Riser 1 or Riser 4.

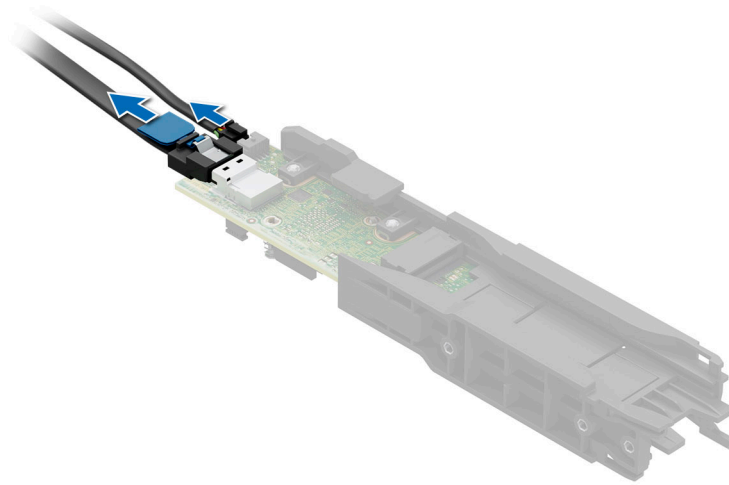


Figure 94. Disconnecting the BOSS-N1 power cable

Steps

1. Loosen the captive screws on the riser.
2. Press the blue release tab or blue button on the riser and holding the edges lift the expansion card riser from the riser connector on the system board.

i **NOTE:** The numbers on the image do not depict the exact steps. The numbers are for representation of sequence.

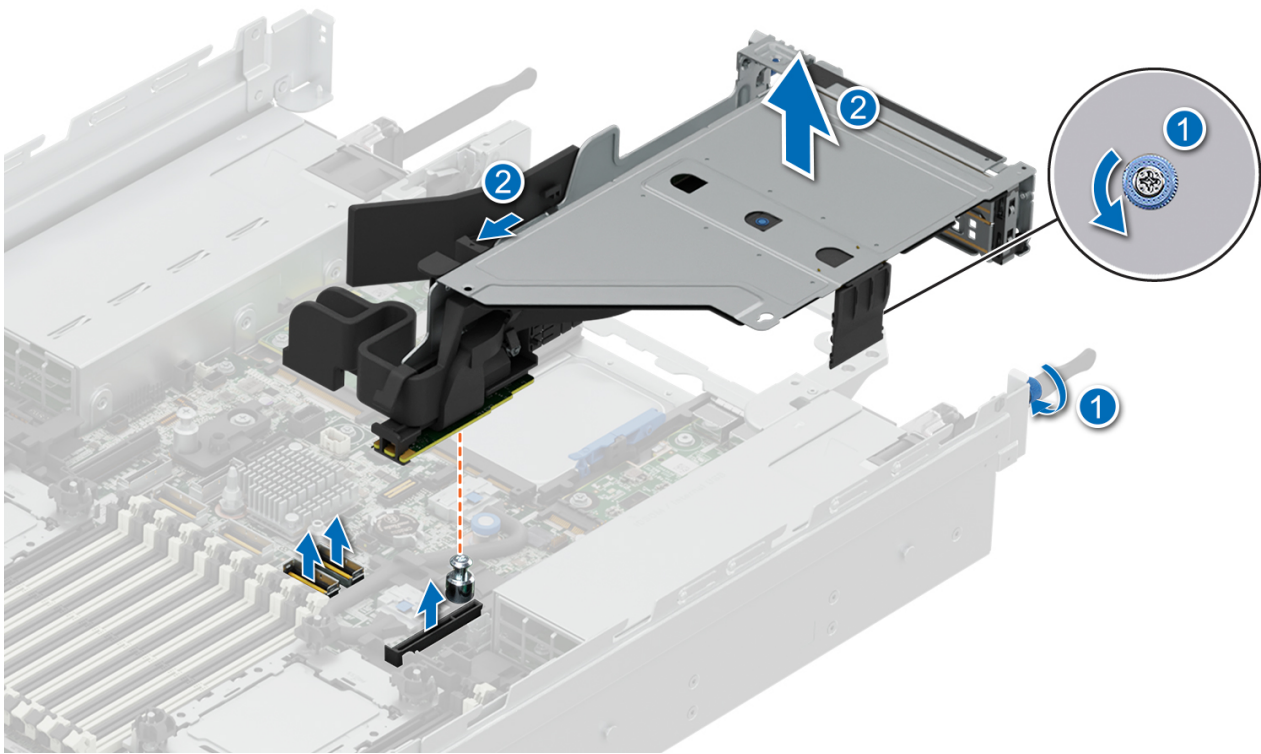


Figure 95. Removing the expansion card riser (Riser 1)

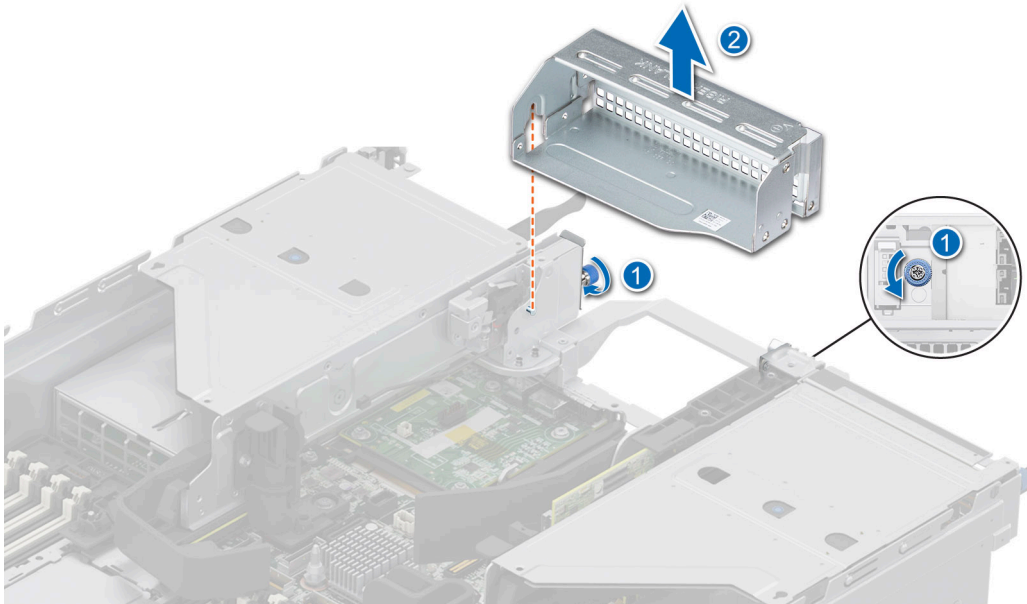


Figure 96. Removing the Riser 3 blank

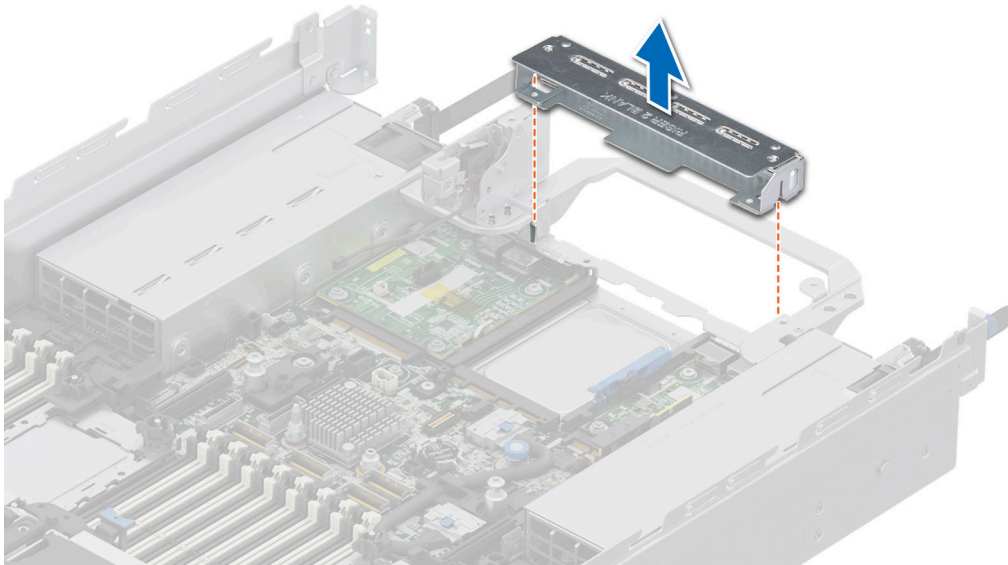


Figure 97. Removing the expansion card Riser 2 blank

3. If the risers are not going to be replaced, install riser blanks and tighten the captive screws.

i **NOTE:** You must install a filler bracket over an empty expansion card slot to maintain Federal Communications Commission (FCC) certification of the system. The brackets also keep dust and dirt out of the system and aid in proper cooling and airflow inside the system.

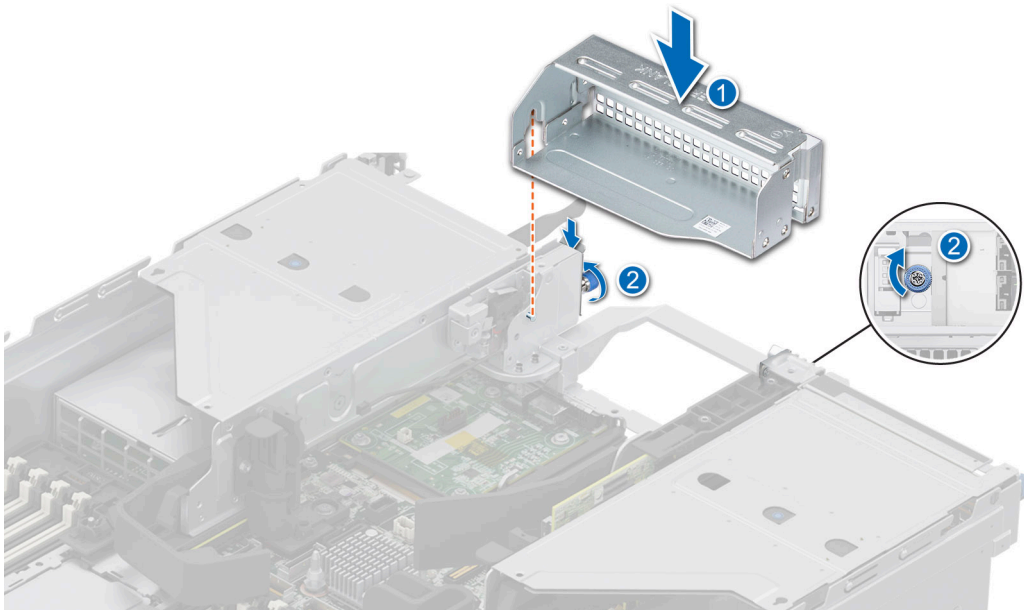


Figure 98. Installing the Riser 3 blank

Next steps

1. [Replace the expansion card riser.](#)

Installing the expansion card risers

Prerequisites

1. Follow the safety guidelines listed in the [Safety instructions](#).
2. Follow the procedure listed in [Before working inside your system](#).
3. [Remove the air shroud](#).
4. If removed, [install the expansion cards into the expansion card risers](#).

i **NOTE:** Install Riser 2 blank and Riser 3 blank before installing Riser 1.

⚠ CAUTION: Do not install GPUs, network cards, or other PCIe devices on your system that are not validated and tested by Dell. Damage caused by unauthorized and invalidated hardware installation will null and void the system warranty.

Steps

1. Holding the edges or the touch points, align the holes on the expansion card riser with the guides on the system board.
i **NOTE:** Store the riser blanks for future use. Filler brackets must be installed in empty expansion card slots to maintain Federal Communications Commission (FCC) certification of the system. The brackets also keep dust and dirt out of the system and aid in proper cooling and airflow inside the system
2. Lower the expansion card riser into place and press the touch points until the expansion card riser connector is fully seated on the system board connector.
3. Tighten the captive screws on the risers and system if any.

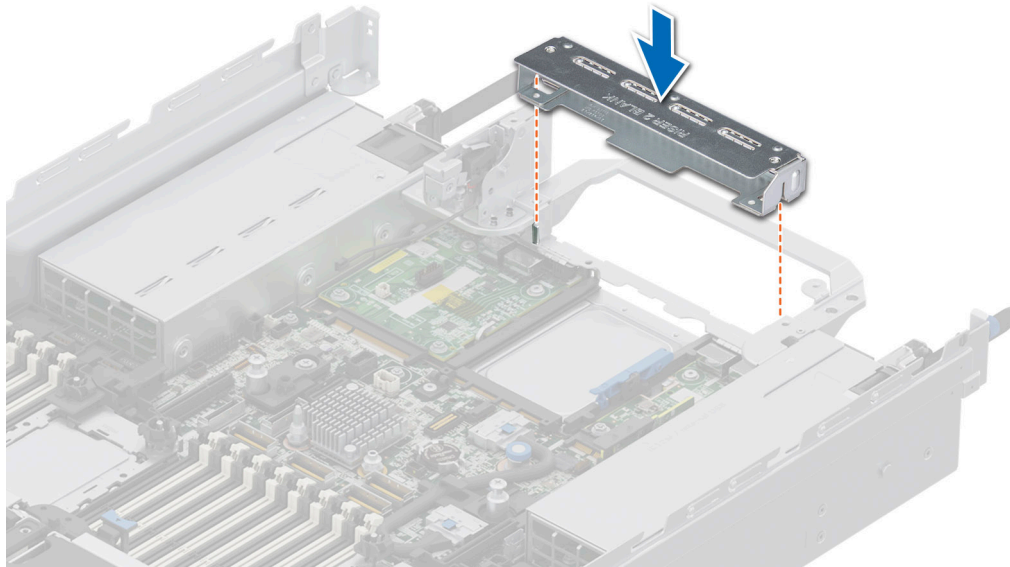


Figure 99. Installing the expansion card riser blank (Riser 2 blank)

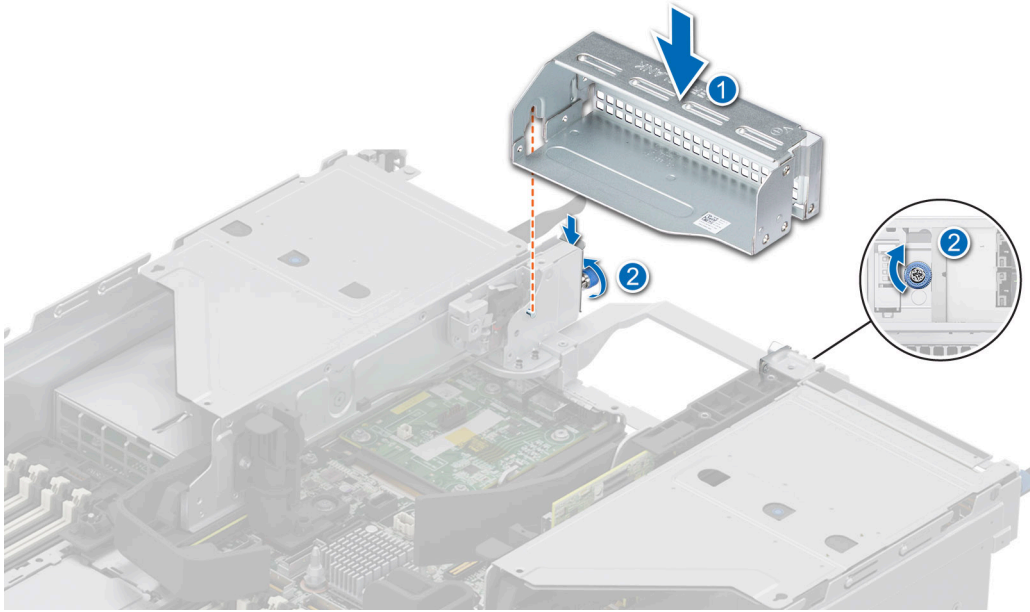


Figure 100. Installing the expansion card riser blank (Riser 3 blank)

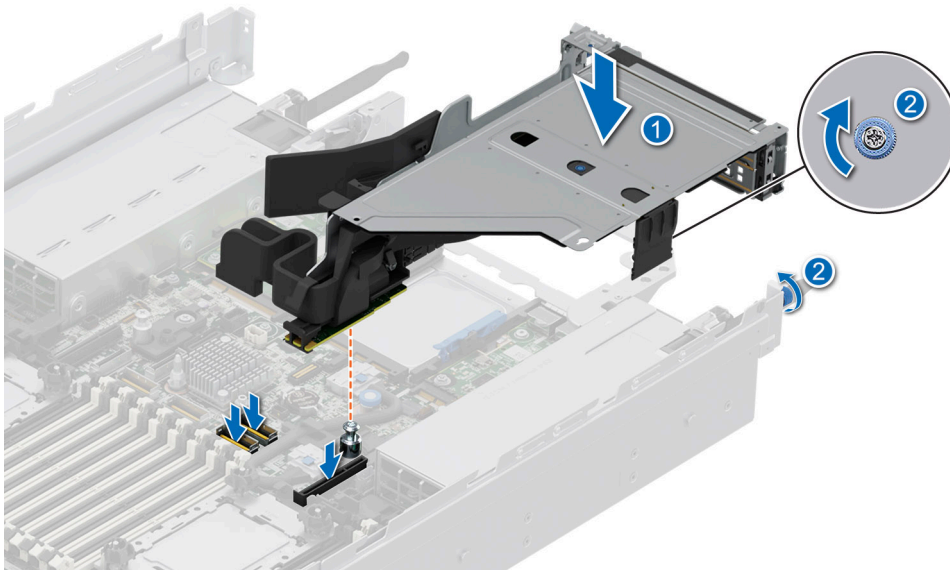


Figure 101. Installing the expansion card riser (Riser 1)

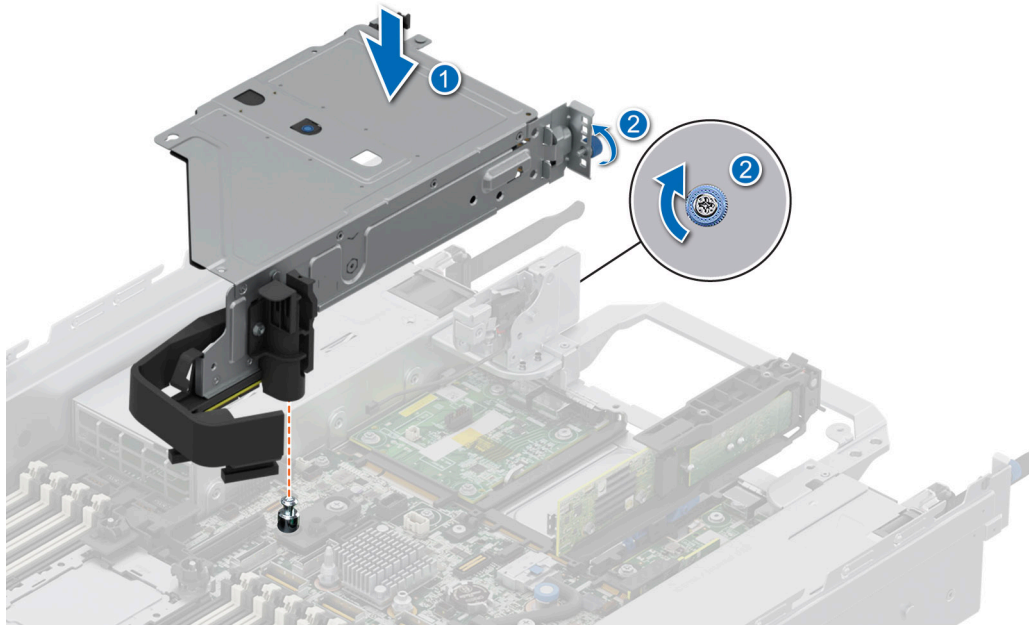


Figure 102. Installing the expansion card riser (Riser 4)

Next steps

1. If required, re-connect the cables to the expansion card.
2. [Install the air shroud.](#)
3. Follow the procedure listed in [After working inside your system.](#)
4. Install any device drivers required for the card as described in the documentation for the card.

Removing expansion card from the expansion card riser

Prerequisites

1. Follow the safety guidelines listed in the [Safety instructions.](#)
2. Follow the procedure listed in the [Before working inside your system.](#)
3. If applicable, disconnect the cables from the expansion card.
4. [Remove the air shroud.](#)
5. [Remove the expansion card riser.](#)

Steps

1. Pull and lift the expansion card retention latch lock to open.
2. Pull the card holder before removing the card from the riser.
3. Hold the expansion card by the edges, and pull the card from the riser.

NOTE: The numbers on the image do not depict the exact steps. The numbers are for representation of sequence.

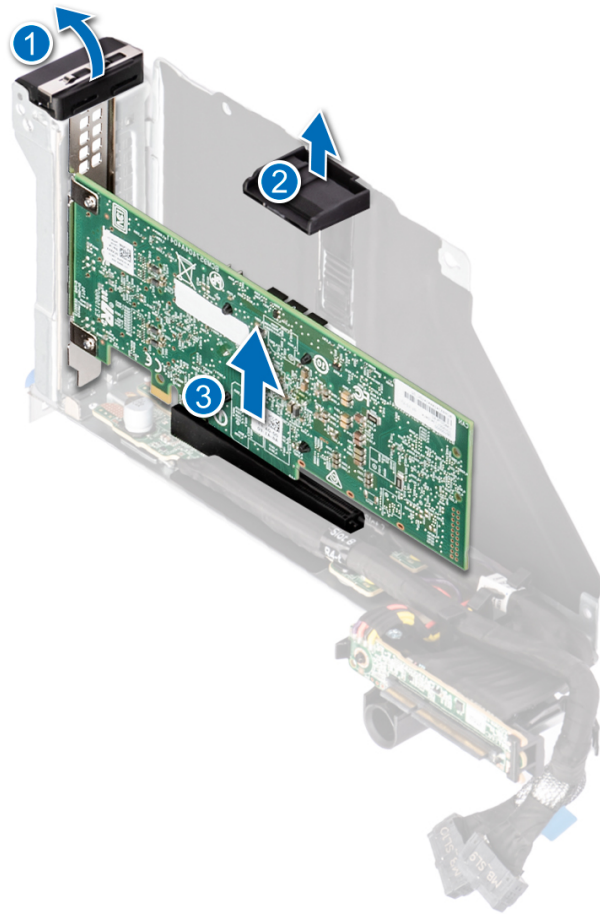


Figure 103. Removing expansion card from the expansion card riser

4. If the expansion card is not going to be replaced, install a filler bracket and close the card retention latch.



Figure 104. Installing the filler bracket

Next steps

1. If applicable, [install an expansion card into the expansion card riser](#).

Installing an expansion card into the expansion card riser

Prerequisites

1. Follow the safety guidelines listed in the [Safety instructions](#).
2. Follow the procedure listed in [Before working inside your system](#).
3. [Remove the air shroud](#).
4. [Remove the expansion card riser](#).
5. If installing a new expansion card, unpack it and prepare the card for installation.

i **NOTE:** For instructions, see the documentation accompanying the card.

Steps

1. Pull and lift up the expansion card retention latch lock to open.
2. If installed, remove the filler bracket.

i **NOTE:** Store the filler bracket for future use. Filler brackets must be installed in empty expansion card slots to maintain Federal Communications Commission (FCC) certification of the system. The brackets also keep dust and dirt out of the system and aid in proper cooling and airflow inside the system.



Figure 105. Removing the filler bracket

3. Hold the card by edges, and align the card with the connector on the riser.
4. Insert the card firmly into the expansion card connector until seated.
5. Close the expansion card retention latch.
6. Push the card holder to hold the card in the riser.

i **NOTE:** The numbers on the image do not depict the exact steps. The numbers are for representation of sequence.

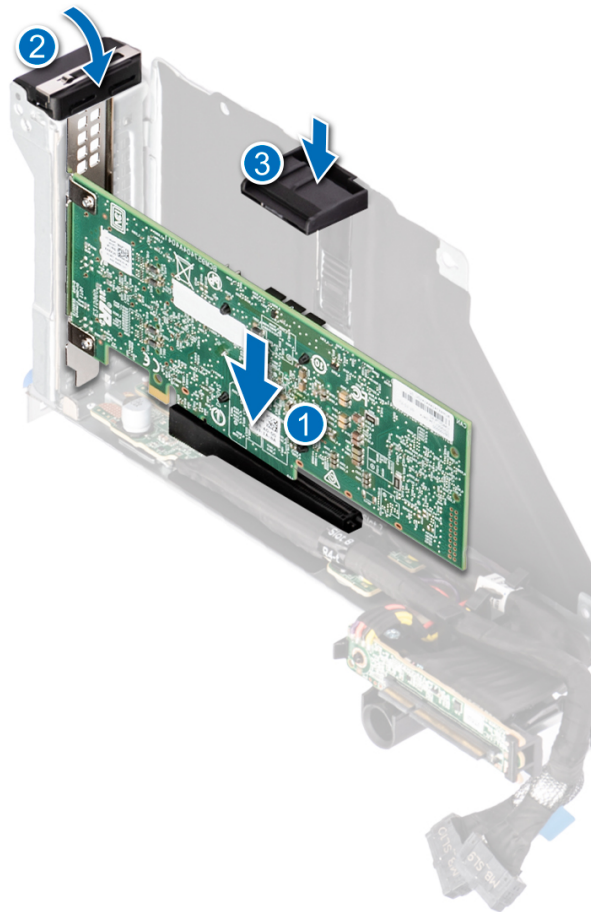


Figure 106. Installing an expansion card into the expansion card riser

Next steps

1. If applicable, connect the cables to the expansion card.
2. [Install the expansion card riser.](#)
3. [Install the air shroud.](#)
4. Follow the procedure listed in [After working inside your system.](#)
5. Install any device drivers required for the card as described in the documentation for the card.

Removing the GPU riser module

The procedure to remove left and right GPU riser module are similar.

Prerequisites

1. Follow the safety guidelines listed in the [Safety instructions.](#)
2. Follow the procedure listed in the [Before working inside your system.](#)
3. Disconnect the GPU power, signal cables, and BP/PERC cables from the system board.
4. [Remove the air shroud.](#)
5. [Remove the cooling fan cage assembly.](#)
6. Disconnect the riser board cables from the system board.
7. If installed, [remove the sponges.](#)

Steps

1. Press the blue button on the GPU riser module, lift handle comes out of GPU riser module.

2. Use both hands, in one hand hold the lift handle, and in other hold the lifting edges to remove GPU riser module out of the system.

NOTE: The numbers on the image do not depict the exact steps. The numbers are for representation of sequence.

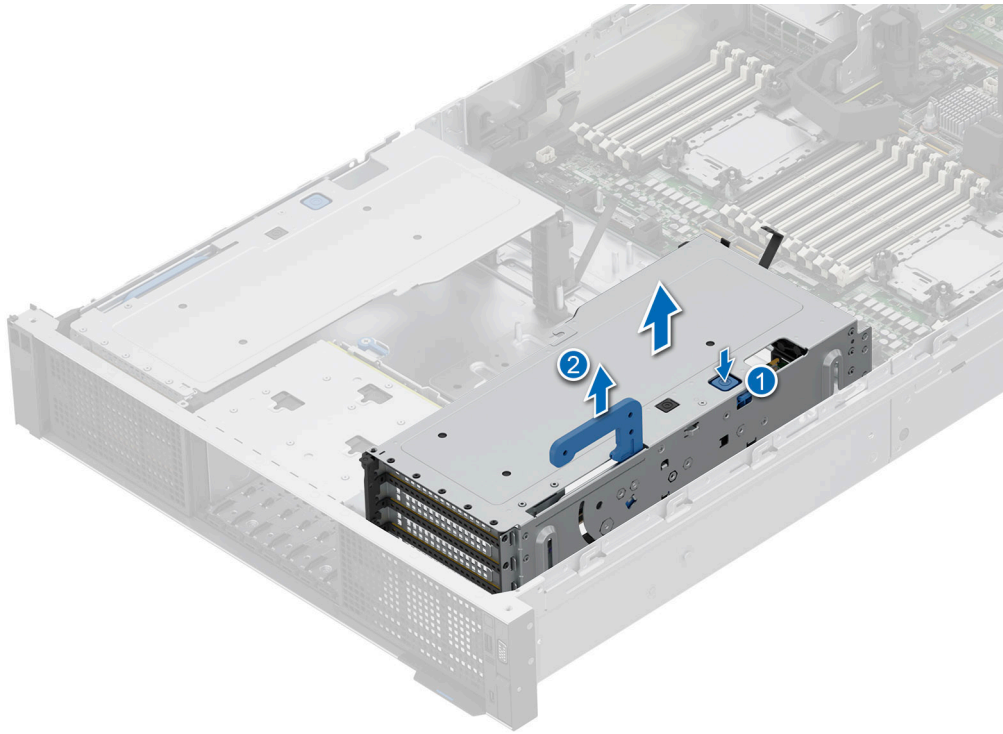


Figure 107. Removing the right GPU riser module

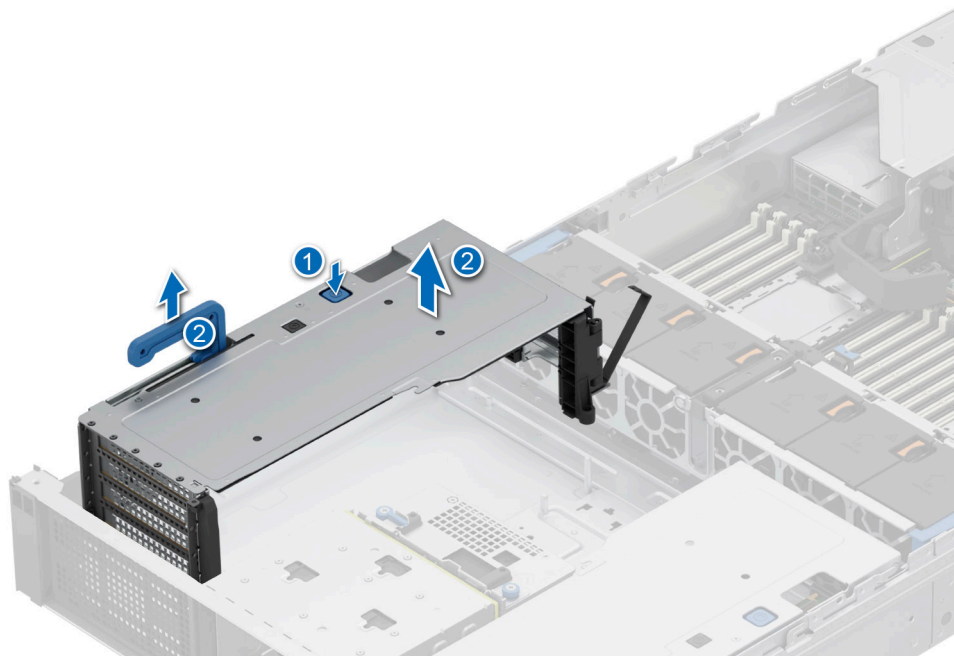


Figure 108. Removing the left GPU riser module

Next steps

1. Replace the GPU riser module.

Installing the GPU riser module

The procedure to install left and right GPU riser module are similar.

Prerequisites

1. Follow the safety guidelines listed in the [Safety instructions](#).
2. Follow the procedure listed in [Before working inside your system](#).
3. [Remove the air shroud](#).
4. [Remove the cooling fan cage assembly](#).
5. Disconnect the GPU power and signal cables from the system board.
6. [Remove the rear mounting front PERC module](#).
7. If installed, [remove the sponges](#).

Steps

1. Use both hands to hold the GPU riser module, align the holes on the GPU riser module with the guides on the system side wall and base.
2. Lower the GPU riser module into system and press the touch points until the GPU riser module is firmly seated into the system.
3. Rotate to close the GPU lift handle into the GPU riser module.

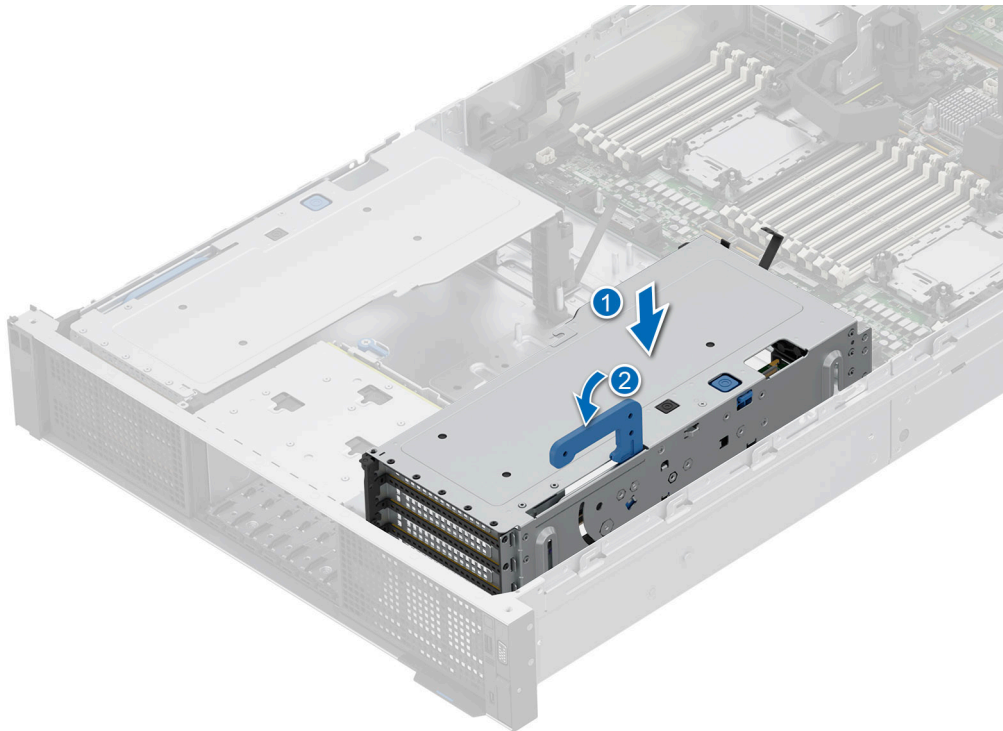


Figure 109. Installing the right GPU riser module

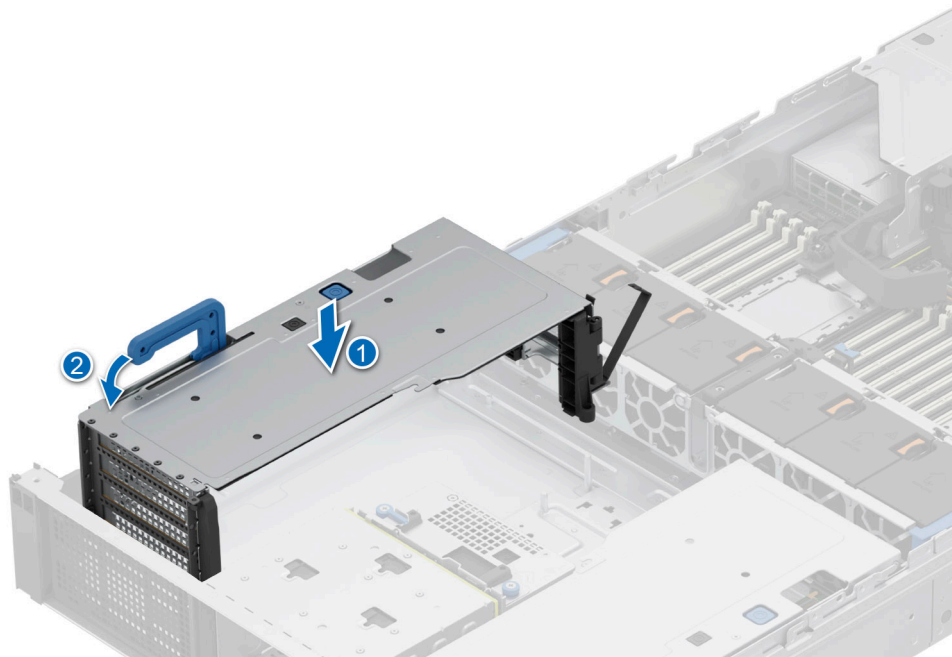


Figure 110. Installing the left GPU riser module

Next steps

1. If removed, [install the sponges](#).
2. Connect the riser board power and signal cables to the system board.
3. [Install the cooling fan cage assembly](#).
4. [Install the air shroud](#).
5. Connect the GPU power, signal, and BP/PERC cables to the system board.
6. Follow the procedure listed in [After working inside your system](#).

Removing the GPU

Prerequisites

1. Follow the safety guidelines listed in the [Safety instructions](#).
2. Follow the procedure listed in the [Before working inside your system](#).
3. If installed, [remove the sponges](#).
4. [Remove the GPU riser module](#).
5. If installed, [remove the bridge cards](#).

Steps

1. To remove the GPU from GPU riser module:
 - a. Disconnect the GPU power cable from the GPU card.
 - b. Open the GPU card holder latches on both ends of the riser.
 - c. Pull the hockey stick by the pull tape.
 - d. Hold the GPU card by the edges and pull the card from the riser.

NOTE: The numbers on the image do not depict the exact steps. The numbers are for representation of sequence.

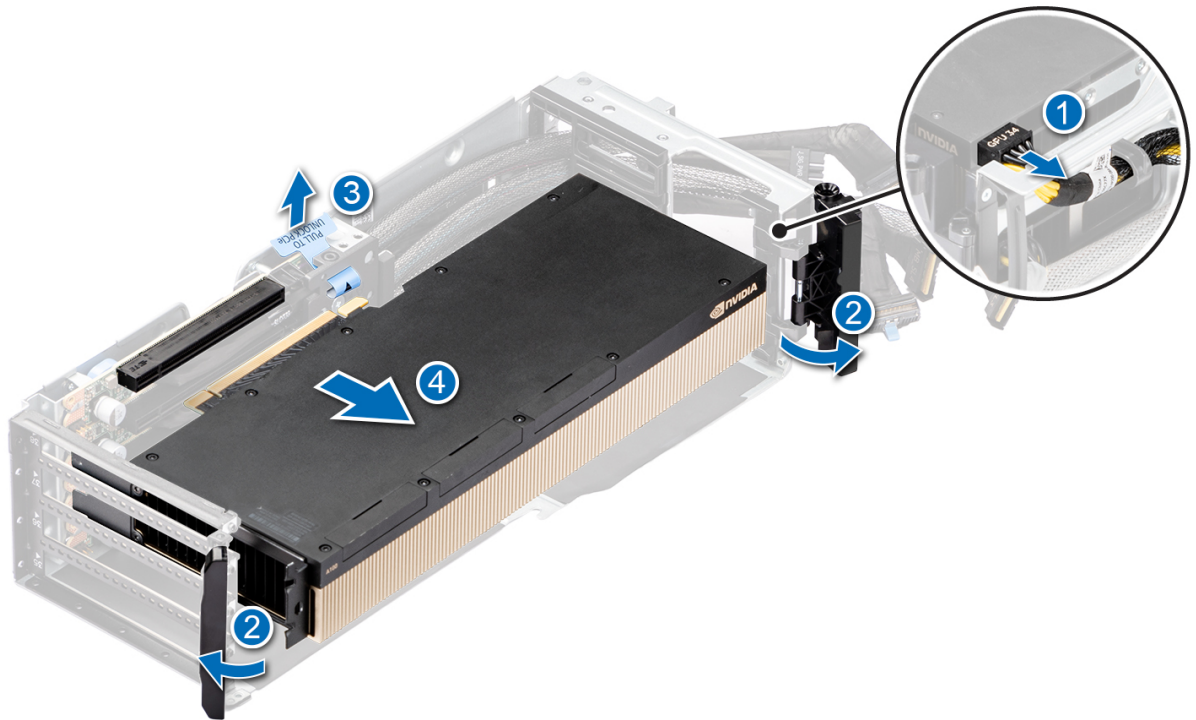


Figure 111. Removing the GPU

2. If you are not replacing the GPU card, install a GPU blank if the adjacent card is double-width card. Install filler blank, if the adjacent card is not double-width card.

i **NOTE:** You must install a GPU blank over an empty GPU card slot to maintain Federal Communications Commission (FCC) certification of the system. The blanks also keep dust and dirt out of the system and aid in proper cooling and airflow inside the system. The GPU blank is necessary to maintain proper thermal conditions.

3. To install the GPU blank:
 - a. Align the connector on the GPU blank with the connector on the riser.
 - b. Insert the GPU blank into the riser until firmly seated.
 - c. Close the GPU card holder latches on both ends of the riser.
 - d. Pull hockey stick by pull tape to assemble the GPU blank into position.

i **NOTE:** Place the unused GPU power cable in the riser module bracket.

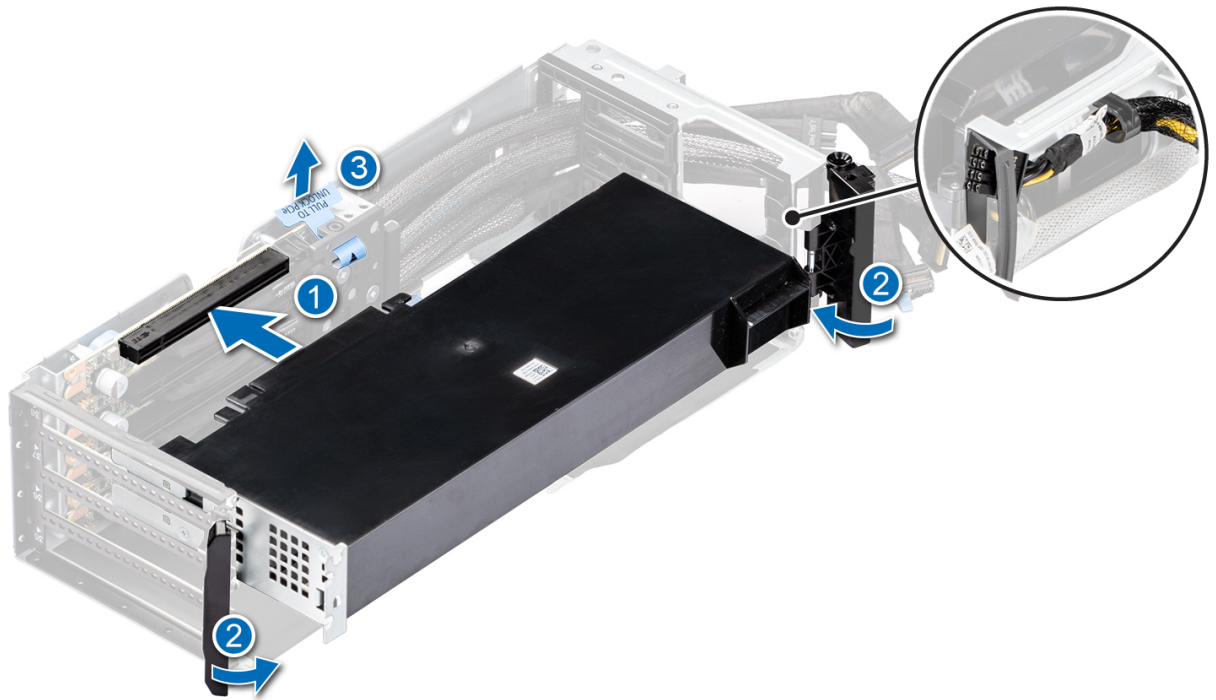


Figure 112. Installing the GPU blank

Next steps

1. [Replace the GPU.](#)

Installing the GPU

Prerequisites

1. Follow the safety guidelines listed in the [Safety instructions](#).
2. Follow the procedure listed in [Before working inside your system](#).
3. If installed, [remove the sponges](#).
4. [Remove the GPU riser module](#).
5. If installed, [remove the bridge cards](#).
6. If installing a new GPU card, unpack it and prepare the card for installation.

i **NOTE:** For instructions, see the documentation accompanying the card.

⚠ CAUTION: Do not install GPUs, network cards, or other PCIe devices on your system that are not validated and tested by Dell. Damage caused by unauthorized and invalidated hardware installation will null and void the system warranty.

Steps

1. If installed, remove the GPU blank:
 - a. Open the GPU card holder latches on both ends of the riser.
 - b. Pull hockey stick by the pull tape.
 - c. Hold the GPU blank by the edges and pull the card from the riser.

i **NOTE:** Store the GPU blank for future use. GPU blank must be installed in empty expansion card slots to maintain Federal Communications Commission (FCC) certification of the system. The brackets also keep dust and dirt out of the system and aid in proper cooling and airflow inside the system.

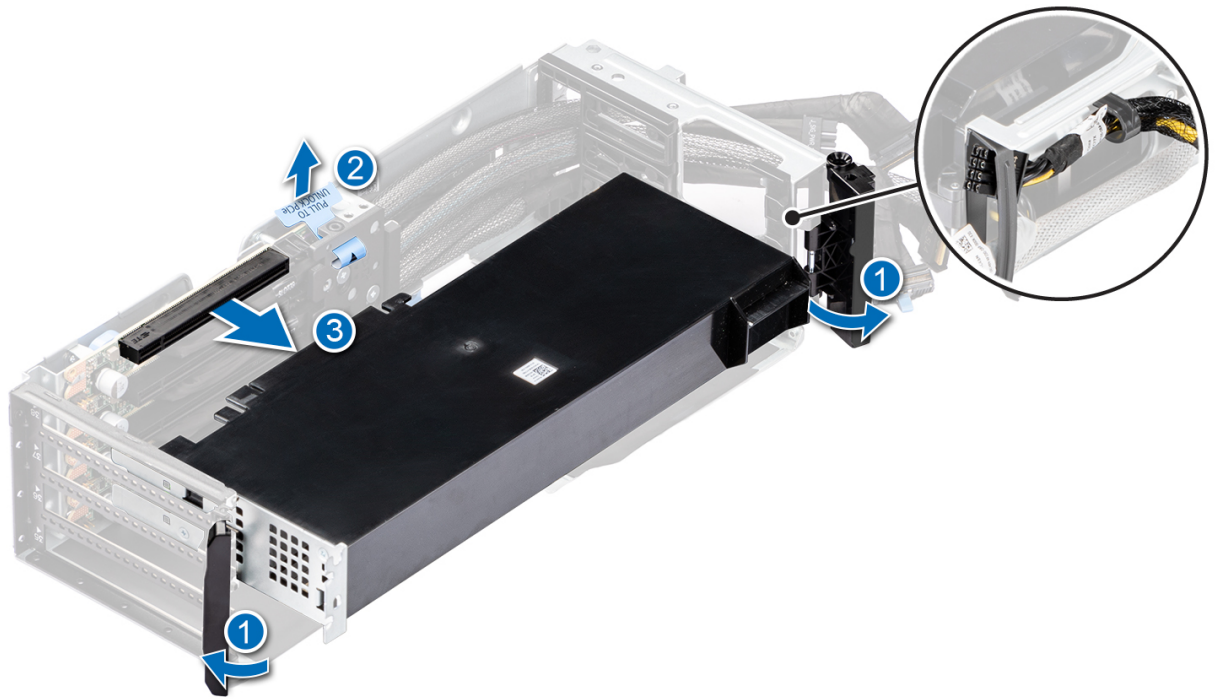


Figure 113. Removing the GPU blank

2. To install the GPU on GPU riser module:
 - a. Align the connector on the GPU with the connector on the riser.
 - b. Insert the GPU into the riser until firmly seated.
 - c. Close the GPU card holder latches on both ends of the riser.
 - d. Pull hockey stick by the pull tape, to assemble the GPU card into GPU riser.
 - e. Connect the GPU power cable to the GPU card.

i **NOTE:** For the SW GPU card to be installed, GPU card holder is required see [Installing the GPU riser module card holder](#).

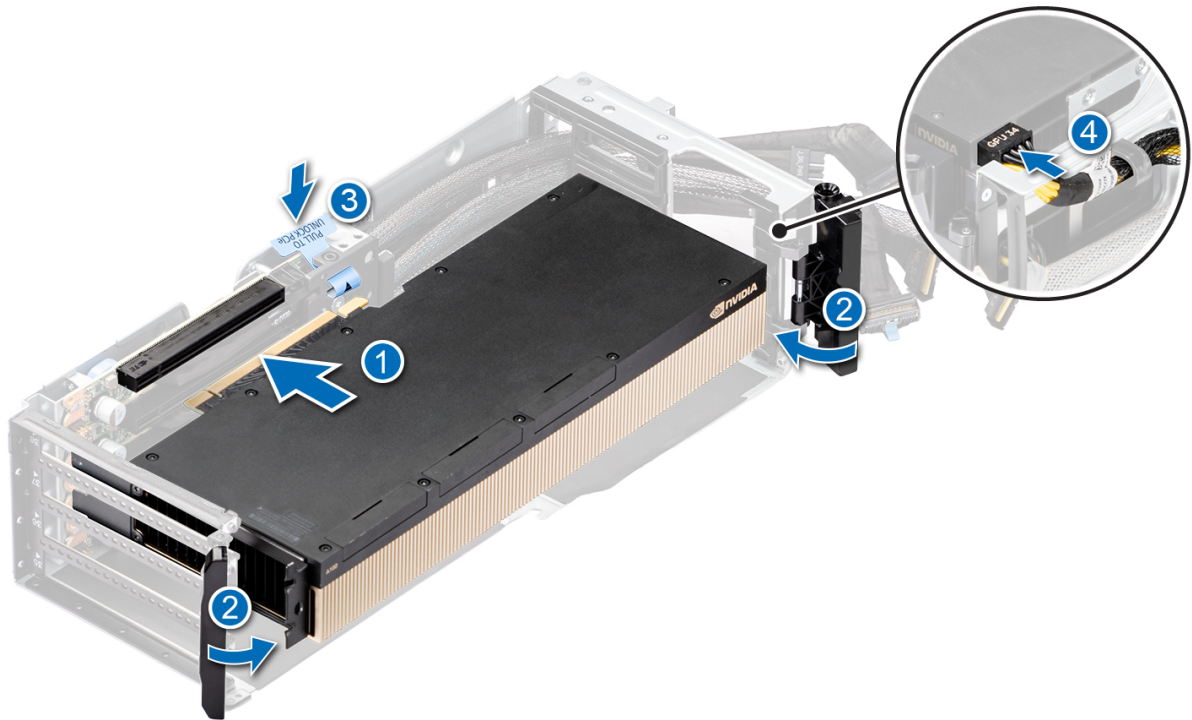


Figure 114. Installing GPU on GPU riser module

Next steps

1. If removed, [install the bridge cards](#).
2. [Install the GPU riser module](#).
3. If removed, [install the sponges](#).
4. Follow the procedure listed in [After working inside your system](#).

Removing the sponges

Prerequisites

1. Follow the safety guidelines listed in the [Safety instructions](#).
 2. Follow the procedure listed in the [Before working inside your system](#).
 3. [Remove the rear mounting front PERC module](#).
- NOTE:** Observe the cable routing before disconnecting the cables.
4. Sponges are required only for GPUs with bridge cards.

Steps

Using the hole on the sponge, lift the sponge out of the system.

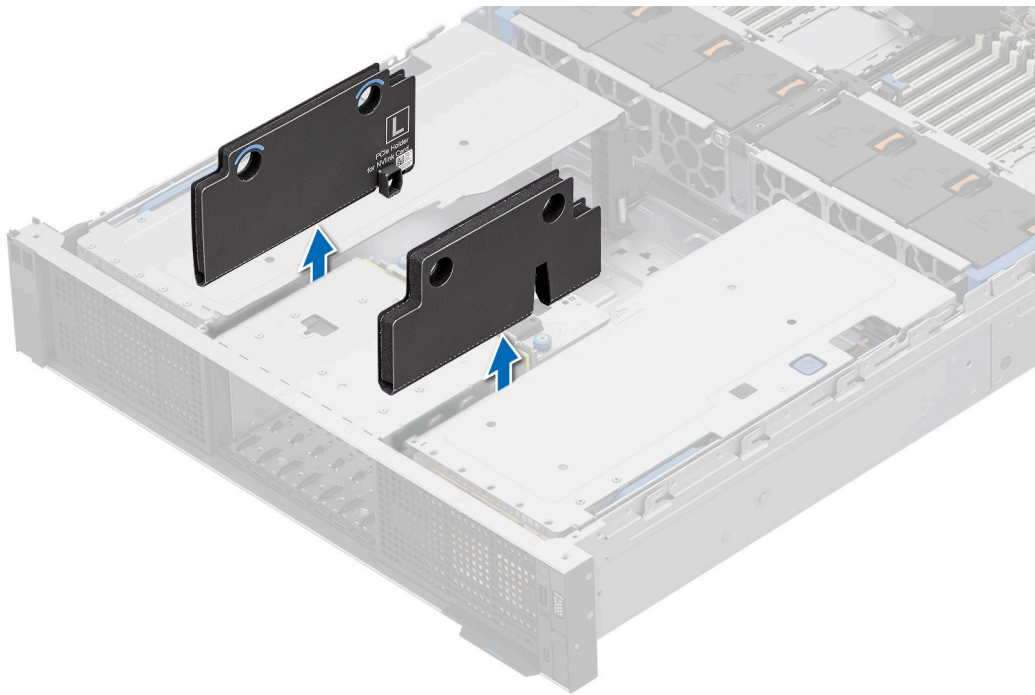


Figure 115. Removing the sponges

Next steps

1. [Replace the sponges.](#)

Installing the sponges

Prerequisites

1. Follow the safety guidelines listed in the [Safety instructions](#).
2. Follow the procedure listed in [Before working inside your system](#).
3. [Remove the rear mounting front PERC module](#).
i **NOTE:** Observe the cable routing before disconnecting the cables.
4. Sponges are required only for GPUs with bridge cards.

Steps

Holding the edges, align the sponge and insert between the drive cage and GPU riser module.

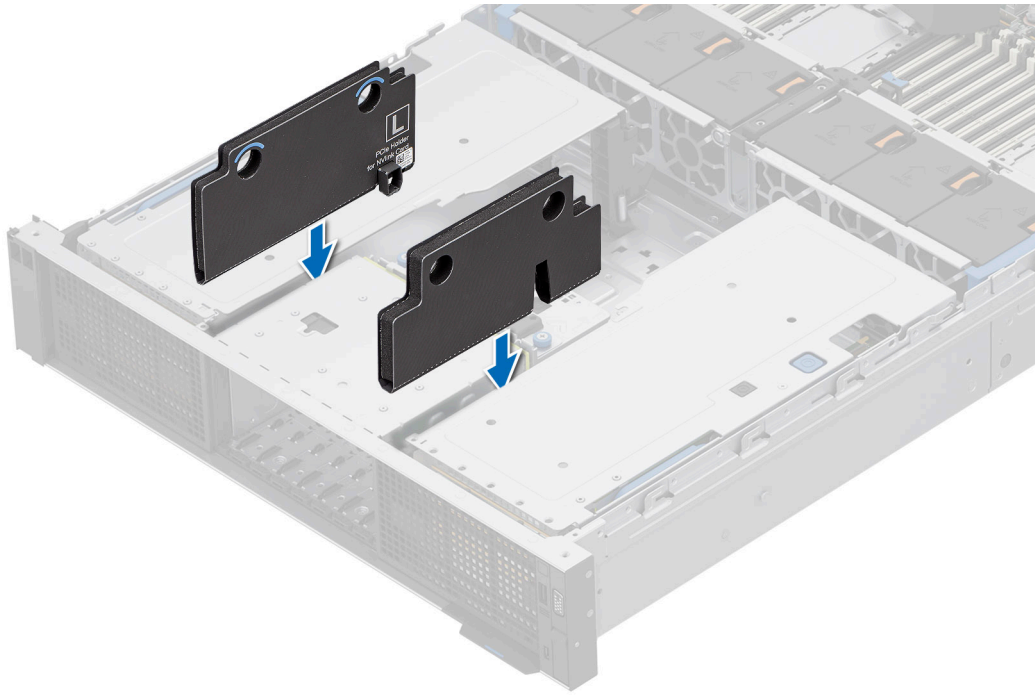


Figure 116. Installing the sponge

Next steps

1. [Install the rear mounting front PERC module.](#)
2. Follow the procedure listed in [After working inside your system.](#)

Removing the Bridge Cards

Prerequisites

1. Follow the safety guidelines listed in the [Safety instructions.](#)
2. Follow the procedure listed in the [Before working inside your system.](#)
3. [Remove the rear mounting front PERC module.](#)

i **NOTE:** Observe the cable routing before disconnecting the cables.

4. [Remove the sponges.](#)
5. [Remove the GPU riser module.](#)
6. Number of bridge cards vary as per the GPU.
7. Slot priority for GPU card installation without bridge cards: slot 31, slot 36, slot 33, and slot 38.
8. Slot priority for GPU card installation with bridge cards: slot 31, slot 33, slot 36, and slot 38.

i **NOTE:** For more information about supported GPU cards and their slot priority, see [expansion card installation guidelines.](#)

Steps

1. Holding the edges, pull the bridge cards out of the GPU cards.

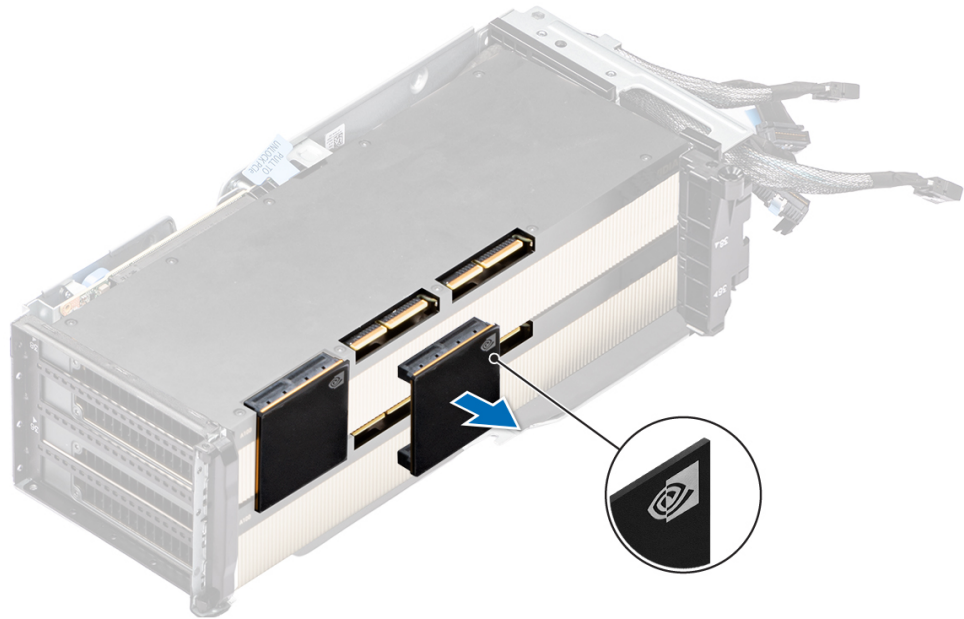


Figure 117. Removing the bridge cards

2. If you are not replacing the bridge cards, Install the cover into the GPU card.



Figure 118. Installing the cover

Next steps

1. [Replace the bridge cards.](#)

Installing the Bridge Cards

Prerequisites

1. Follow the safety guidelines listed in the [Safety instructions](#).
2. Follow the procedure listed in the [Before working inside your system](#).
3. [Remove the rear mounting front PERC module.](#)
 - i** **NOTE:** Observe the cable routing before disconnecting the cables.
4. [Remove the sponges.](#)
5. [Remove the GPU riser module.](#)
6. If installed, take out the GPU card and remove the slot cover on the GPU card.

NOTE: Store the slot cover for future use, install if not using bridge cards.

7. Number of bridges vary as per the GPU.

NOTE: For more information about supported GPU cards and their slot priority, see [expansion card installation guidelines](#).

Steps

1. If installed, remove the cover from the GPU card.



Figure 119. Removing the cover

NOTE: Store the cover for future use.

2. Align the bridge cards with the slot on the GPU cards.

3. Press the bridge cards, until firmly seated on the GPU cards.

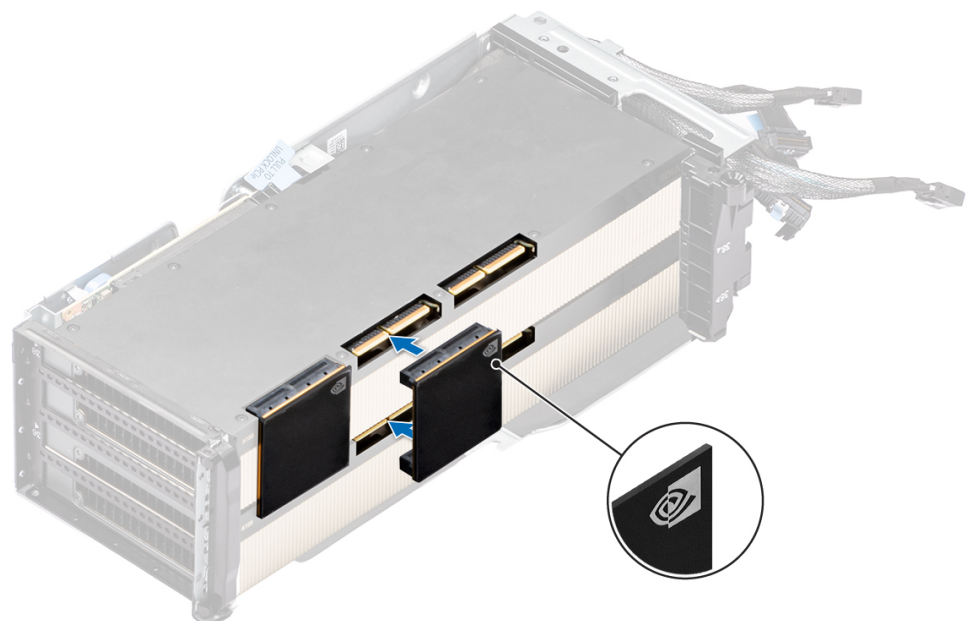


Figure 120. Installing the Bridge Cards


Next steps

1. Install the GPU riser module.
2. Install the sponges.
3. Install the rear mounting front PERC module.
4. Follow the procedure listed in [After working inside your system](#).

Removing the GPU riser module card holders

Prerequisites

1. Follow the safety guidelines listed in the [Safety instructions](#).
2. Follow the procedure listed in the [Before working inside your system](#).
3. [Remove the GPU riser module](#).

 **NOTE:** Your system has only half height (HH) GPU card holder.

Steps

Loosen the captive screw and pull out the HH GPU card holder from the GPU riser module.

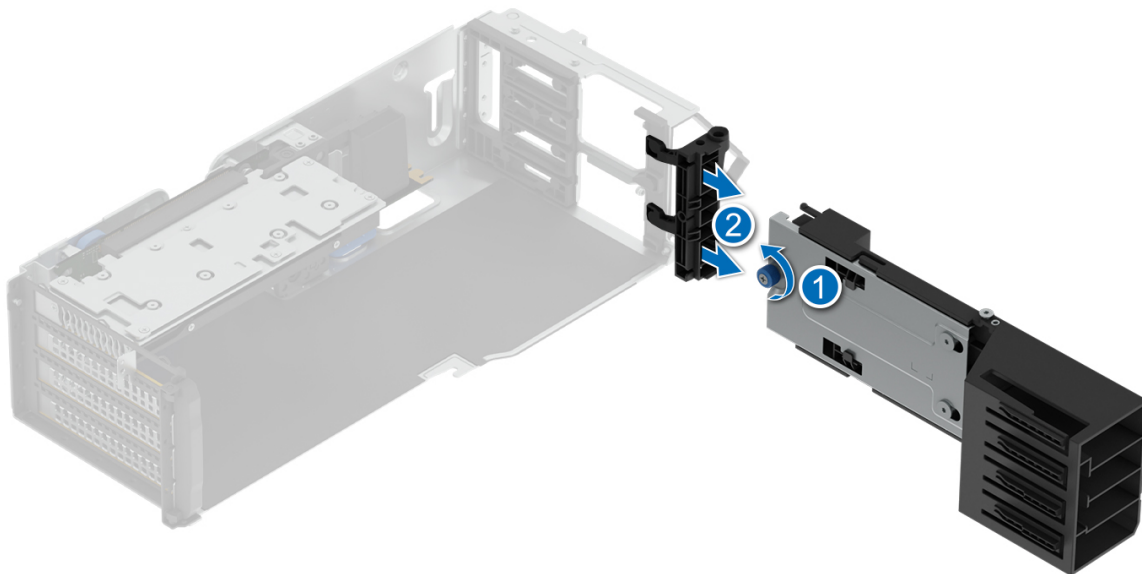


Figure 121. Removing the HH card holder


Next steps

1. [Replace the GPU riser module holders](#).

Installing the GPU riser module card holders

Prerequisites

1. Follow the safety guidelines listed in the [Safety instructions](#).
2. Follow the procedure listed in the [Before working inside your system](#).
3. [Remove the GPU riser module](#).

 **NOTE:** Your system has only half height (HH) GPU card holder.

Steps

Insert the HH GPU card holder into the GPU riser module and tighten the captive screw.

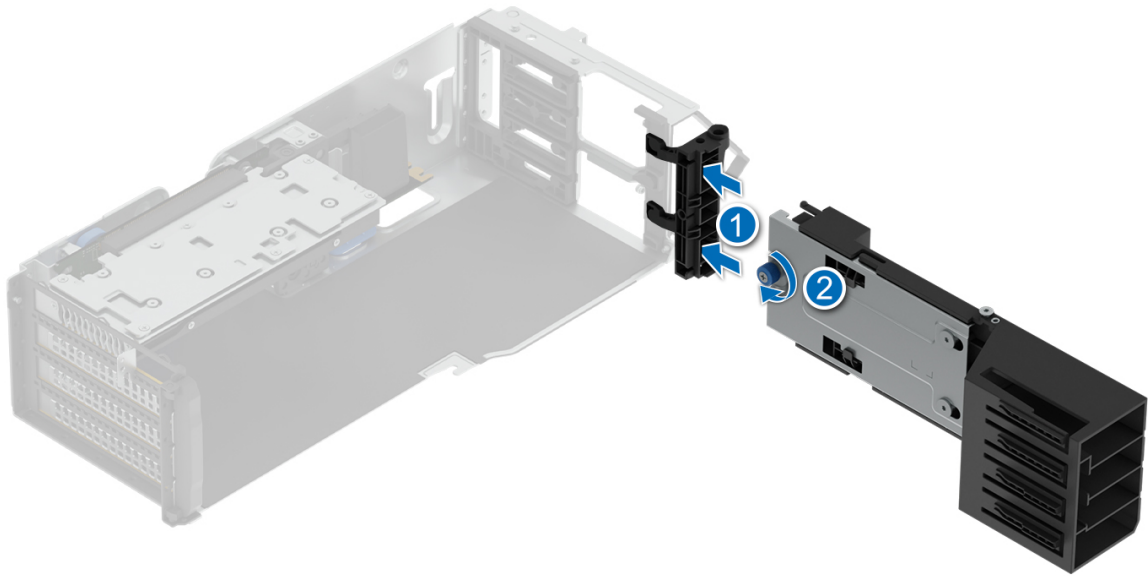


Figure 122. Installing the HH card holder

Next steps

1. Install the SW GPU card, into the GPU riser and push the hockey stick, see [Installing the GPU](#).
2. Push the card holder into closed position.
3. [Install the GPU riser module](#).
4. Follow the procedure listed in [After working inside your system](#).

Optional serial COM port

This is a service technician replaceable part only.

Removing the serial COM port

Prerequisites

1. Follow the safety guidelines listed in the [Safety instructions](#).
2. Follow the procedure listed in the [Before working inside your system](#).
3. [Remove the air shroud](#).

Steps

1. Loosen the captive screws on the system.
2. Press the blue release tab or blue button on the riser and holding the edges lift the expansion card riser from the riser connector on the system board.
3. Disconnect the serial COM port cable from the rear I/O board.
4. Open the latch on the expansion card riser and slide the serial COM port out of the expansion card riser.

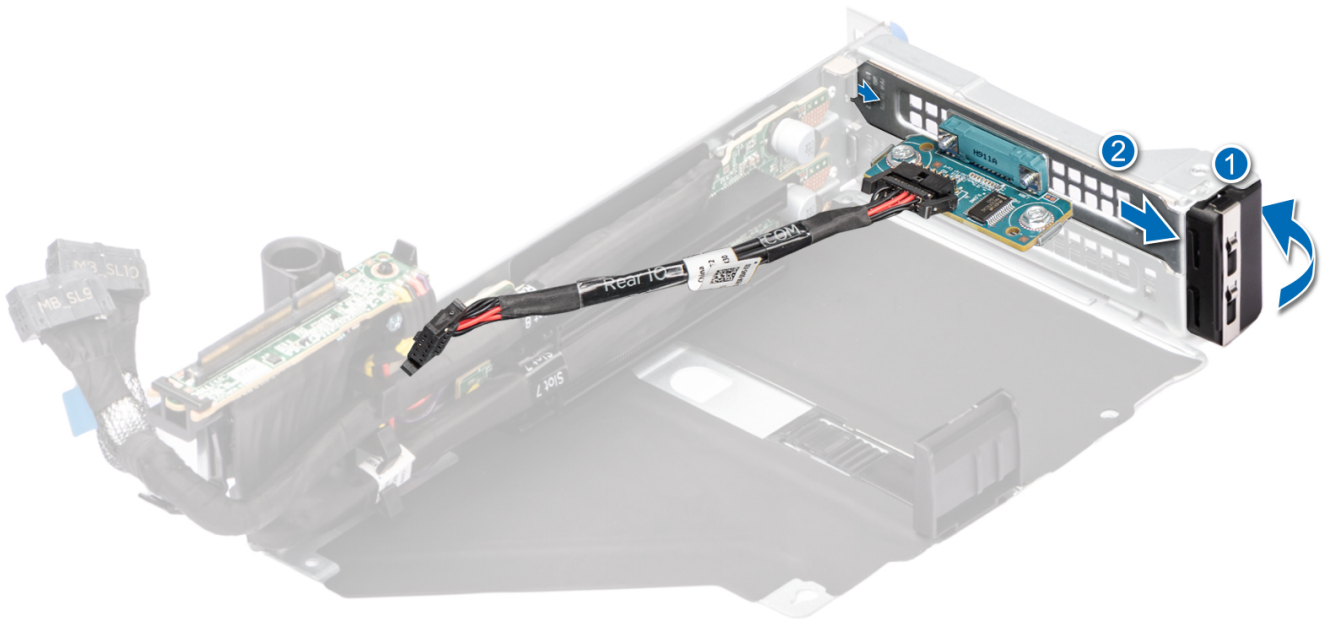


Figure 123. Removing the Serial COM port

5. Install the filler bracket if not replacing the serial COM port.

Next steps

1. [Replace the serial COM port.](#)

Installing the serial COM port

Prerequisites

1. Follow the safety guidelines listed in the [Safety instructions](#).
2. Follow the procedure listed in the [Before working inside your system](#).
3. [Remove the air shroud.](#)

Steps

1. Open the latch on the expansion card riser and remove the filler bracket from the expansion card riser.
2. Slide the serial COM port into the expansion card riser and close the latch.

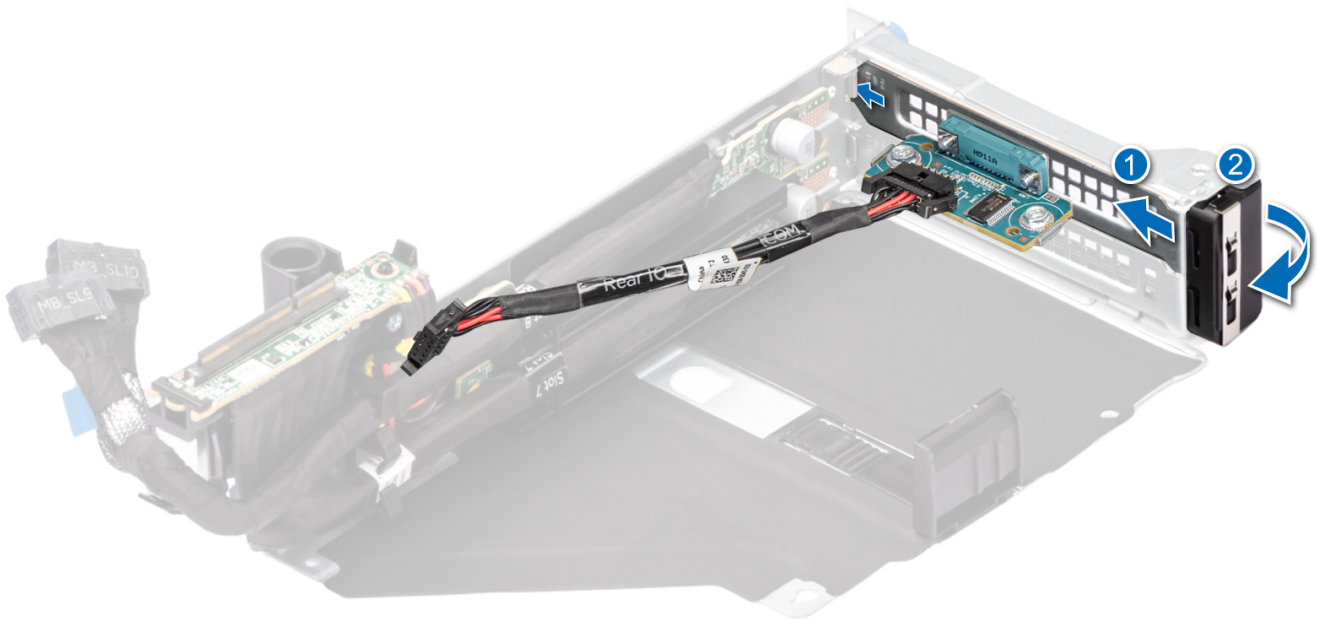


Figure 124. Installing the Serial COM port

3. Connect the serial COM port cable to the rear I/O board.
4. Holding the edges or the touch points, align the holes on the expansion card riser with the guides on the system board.
5. Lower the expansion card riser into place and press the touch points until the expansion card riser connector is fully seated on the system board connector.
6. Tighten the captive screws on the system.

Next steps

1. [Install the air shroud.](#)
2. Follow the procedure listed in [After working inside your system.](#)

Optional VGA port for liquid cooling module

Removing the VGA port

Prerequisites

1. Follow the safety guidelines listed in the [Safety instructions.](#)
2. Follow the procedure listed in the [Before working inside your system.](#)
3. [Remove the air shroud.](#)

Steps

1. Loosen the captive screws on the system.
2. Press the blue release tab or blue button on the riser and holding the edges lift the expansion card riser from the riser connector on the system board.

3. Disconnect the VGA port cable from the liquid cooling (LC) rear I/O board.
4. Open the latch on the expansion card riser and slide the VGA port out of the expansion card riser.



Figure 125. Removing the VGA port

5. Install the filler bracket if not replacing the VGA port.

Next steps

1. [Replace the VGA port.](#)

Installing the VGA port

Prerequisites

1. Follow the safety guidelines listed in the [Safety instructions](#).
2. Follow the procedure listed in [Before working inside your system](#).
3. [Remove the air shroud](#).

i **NOTE:** VGA port is supported only in slot 8 of the expansion card riser.

Steps

1. Open the latch on the expansion card riser and remove the filler bracket from the expansion card riser.
2. Slide the VGA port into the expansion card riser and close the latch.



Figure 126. Installing the VGA port

3. Connect the VGA port cable to the LC rear I/O board.
4. Holding the edges or the touch points, align the holes on the expansion card riser with the guides on the system board.
5. Lower the expansion card riser into place and press the touch points until the expansion card riser connector is fully seated on the system board connector.
6. Tighten the captive screws on the system.

Next steps

1. [Install the air shroud.](#)
2. Follow the procedure listed in [After working inside your system.](#)

Optional BOSS-N1 module

Removing the BOSS-N1 module blank

Prerequisites

Follow the safety guidelines listed in the [Safety instructions.](#)

Steps

Use a screwdriver to push out the blank from the BOSS-N1 module bay.

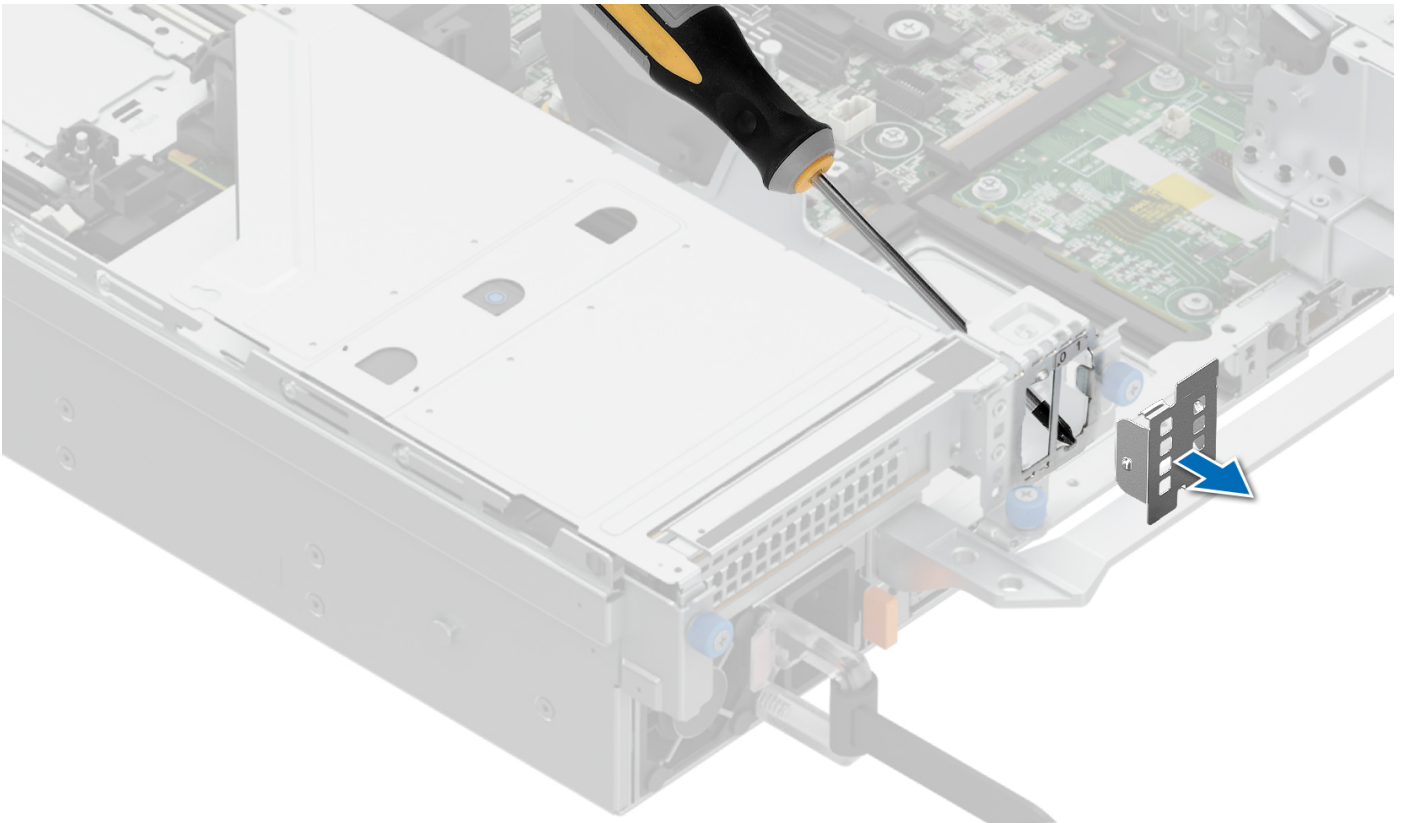


Figure 127. Removing the BOSS-N1 module blank

Next steps

1. [Replace the BOSS-N1 module blank](#) or install BOSS-N1 module.

Installing the BOSS-N1 module blank

Prerequisites

1. Follow the safety guidelines listed in the [Safety instructions](#).

Steps

Align the blank with the BOSS-N1 module bay and push it into the bay until it clicks into place.

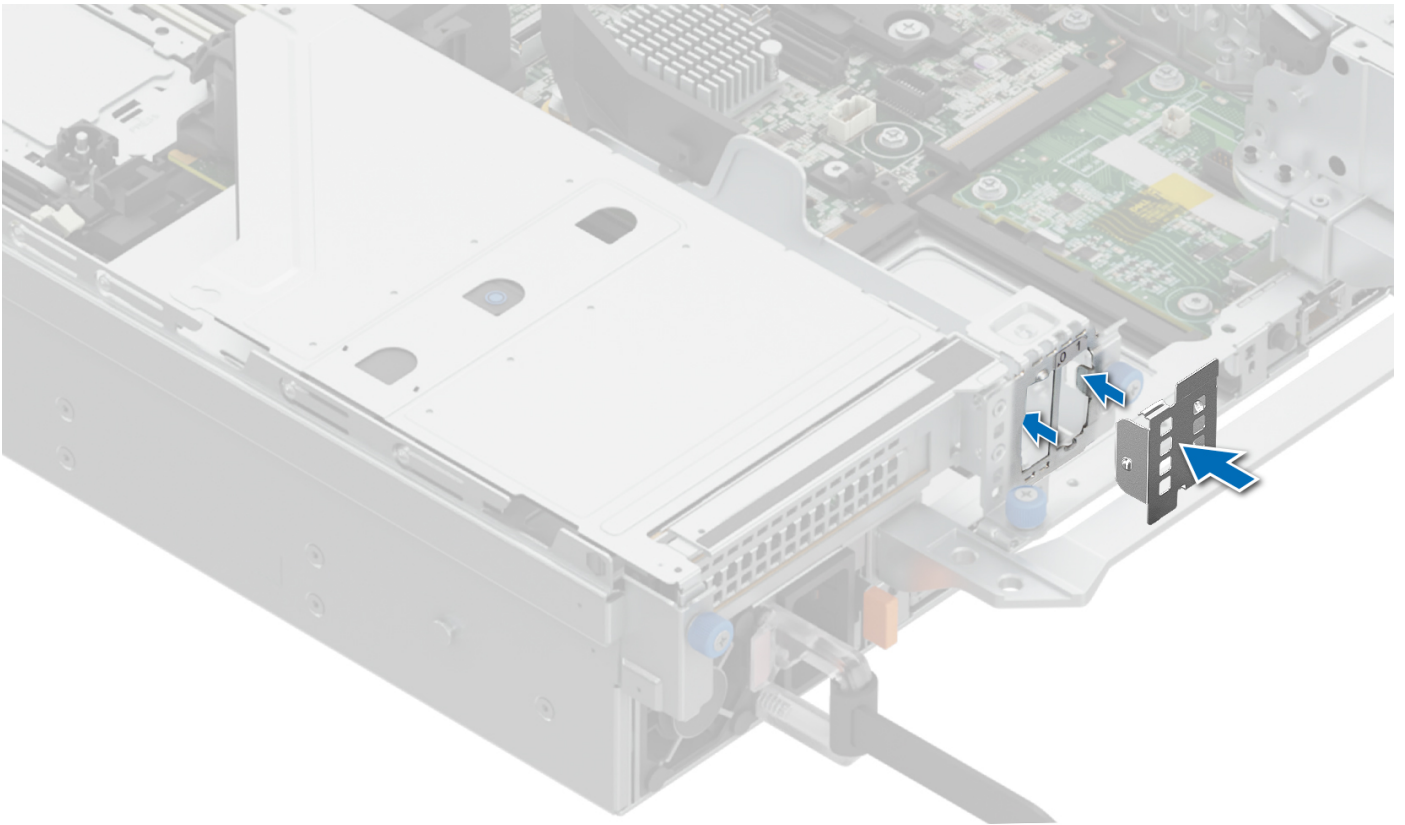


Figure 128. Installing the BOSS-N1 module blank

Removing the BOSS-N1 card carrier blank

Prerequisites

Follow the safety guidelines listed in the [Safety instructions](#).

Steps

Press and pull the BOSS-N1 card carrier blank out from the BOSS-N1 module.

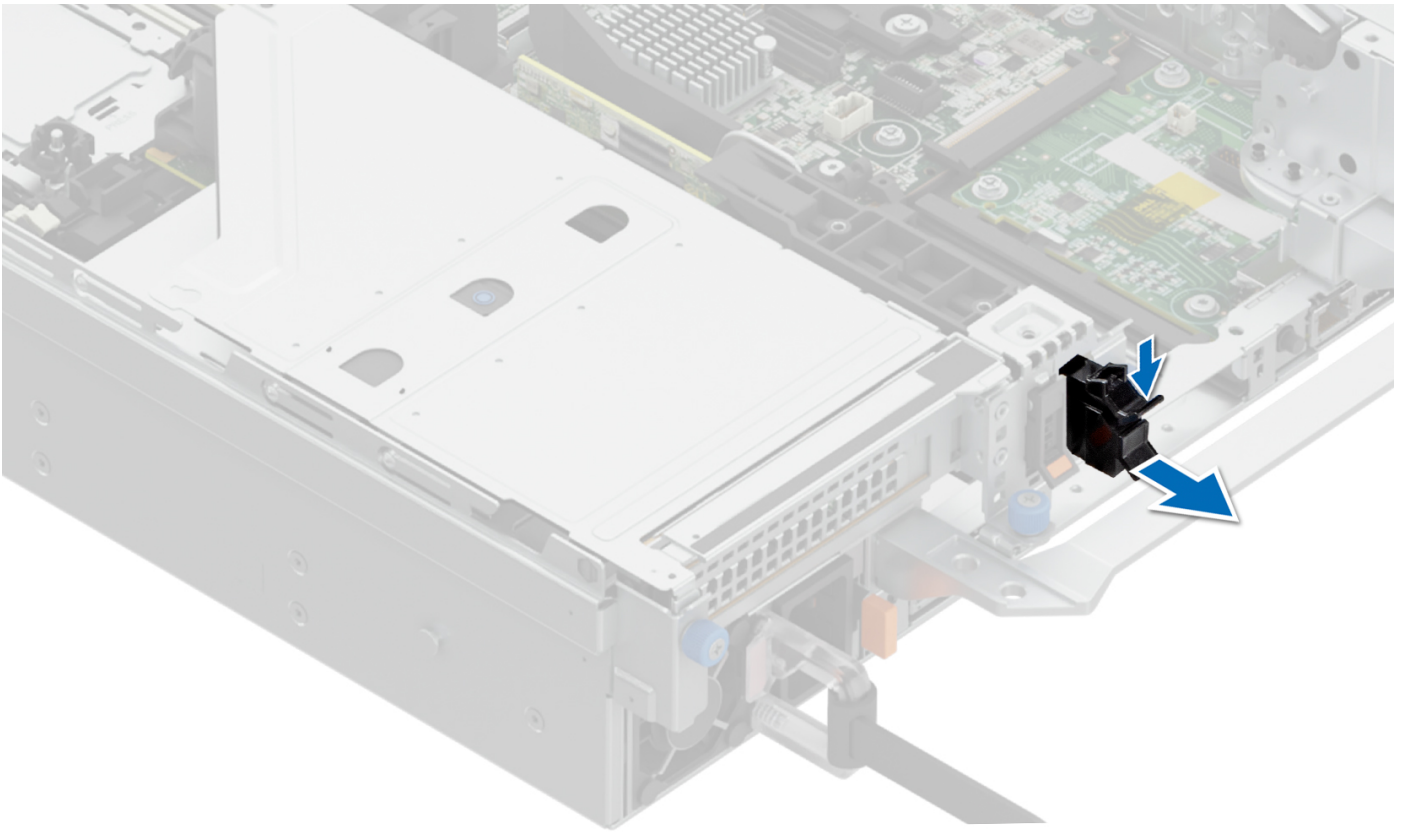


Figure 129. Removing the BOSS-N1 card carrier blank

Next steps

1. [Replace the BOSS-N1 card carrier blank](#) or install BOSS-N1 card carrier.

Installing the BOSS-N1 card carrier blank

Prerequisites

1. Follow the safety guidelines listed in the [Safety instructions](#).

Steps

Align the blank with the BOSS-N1 module bay and push it into the bay until it clicks into place.

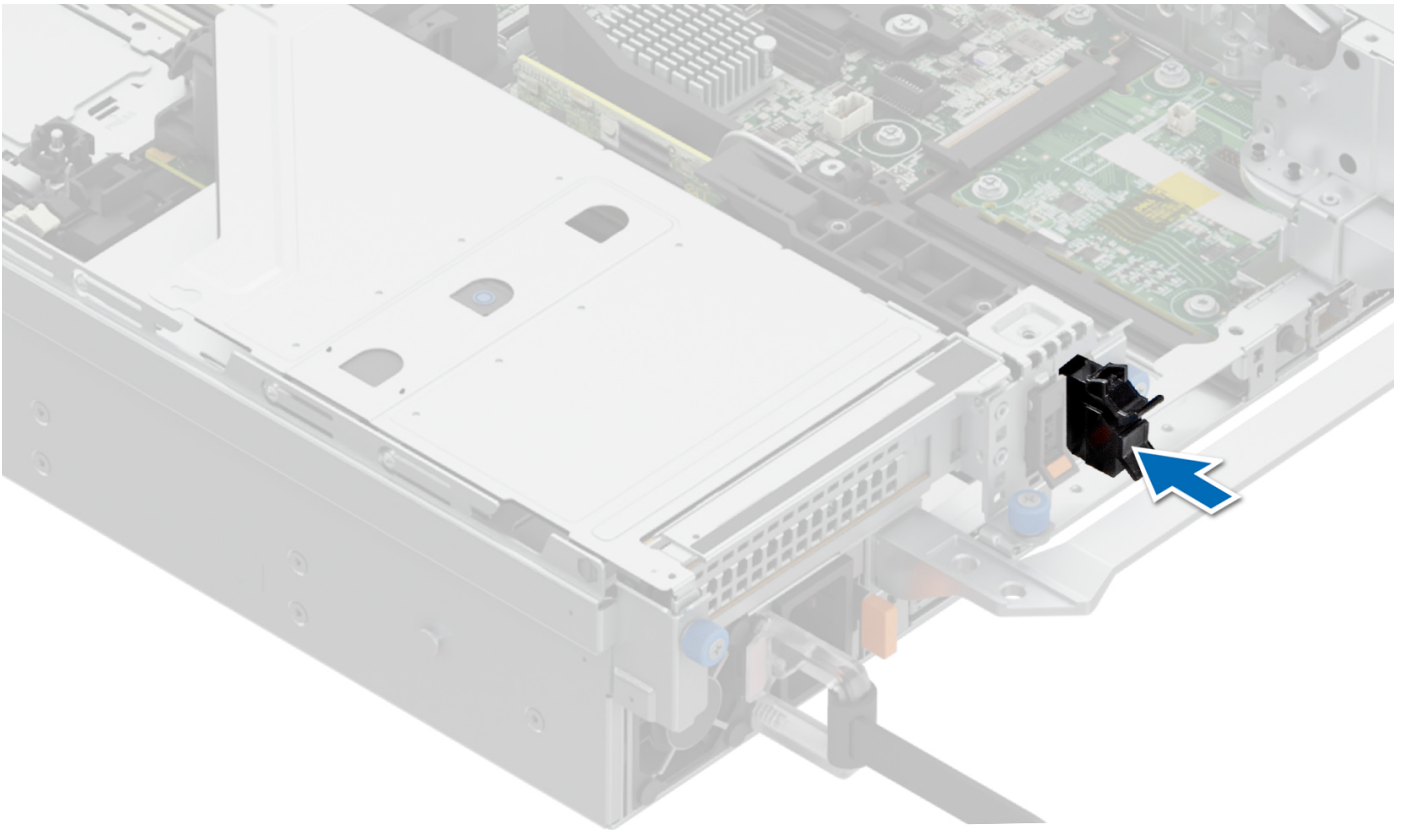


Figure 130. Installing the BOSS-N1 card carrier blank

Removing the BOSS-N1 module

Prerequisites

1. Follow the safety guidelines listed in the [Safety instructions](#).
2. Follow the procedure listed in the [Before working inside your system](#).

Steps

1. Pull and lift the BOSS-N1 card carrier retention latch lock to open.
2. Slide the BOSS-N1 card carrier out.

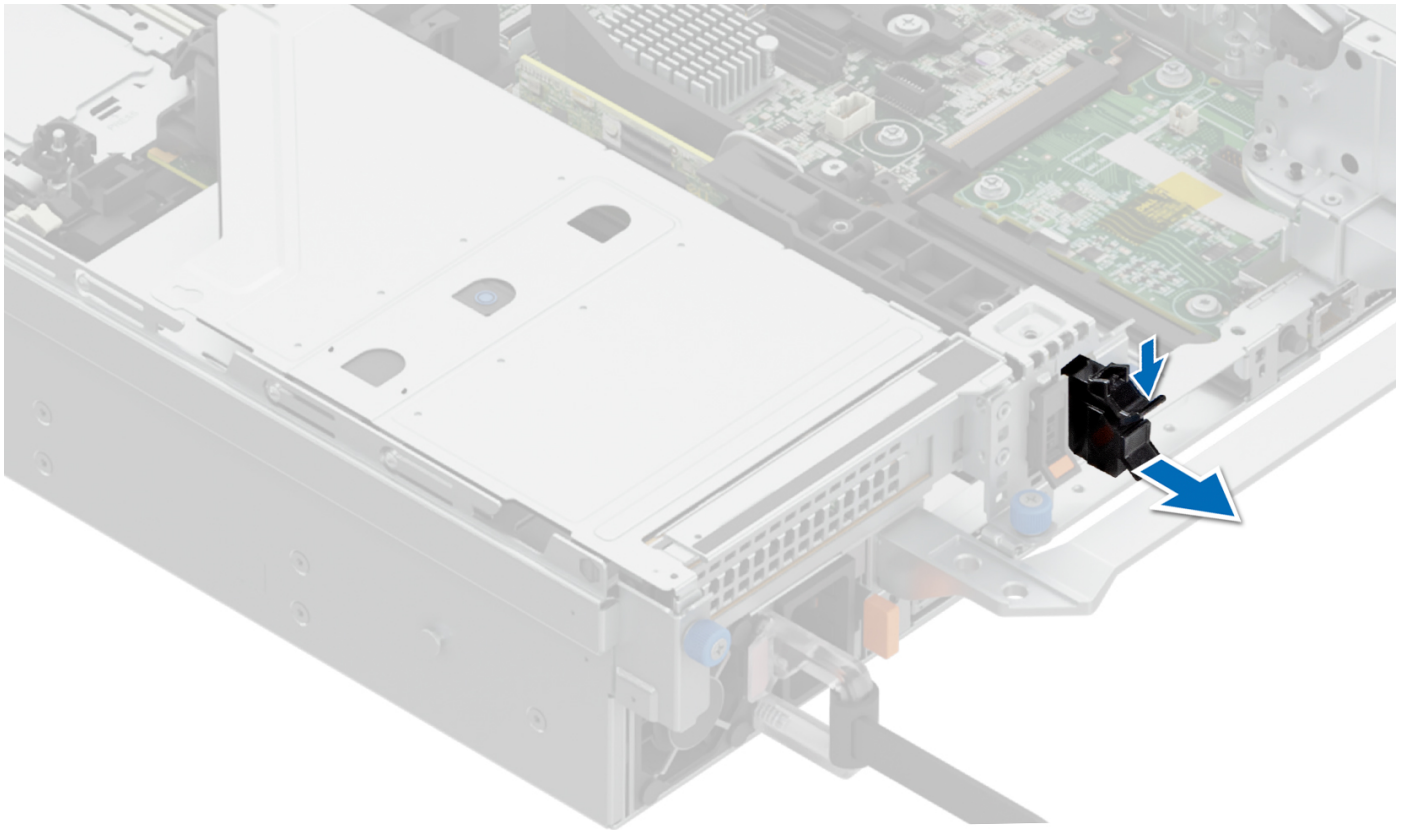


Figure 131. Removing the BOSS-N1 card carrier

3. Using the Phillips #1 screwdriver remove the M3 x 0.5 x 4.5 mm screw that secures the M.2 SSD to the BOSS-N1 card carrier.
4. Slide the M.2 SSD out from the BOSS-N1 card carrier.

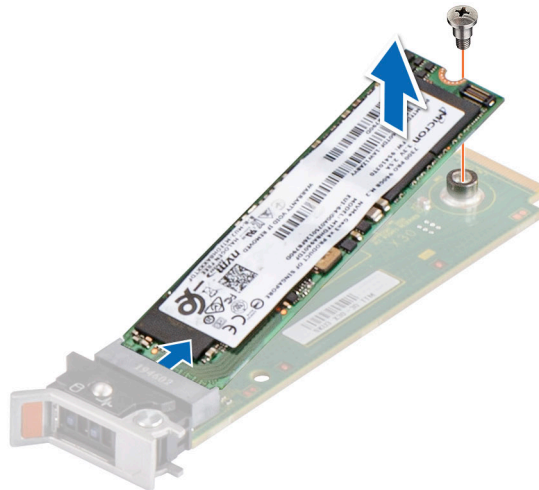


Figure 132. Removing the M.2 SSD

5. Disconnect the BOSS-N1 power and signal cable from the system board.

⚠ WARNING: Ensure to disconnect the BOSS-N1 power cable before removing the Riser 1.

6. Using the Phillips #1 screwdriver remove the M3 x 0.5 x 4.5 mm screw that secures the BOSS-N1 module on Riser 1.
7. Slide the BOSS-N1 module towards the front of the chassis and lift the module.

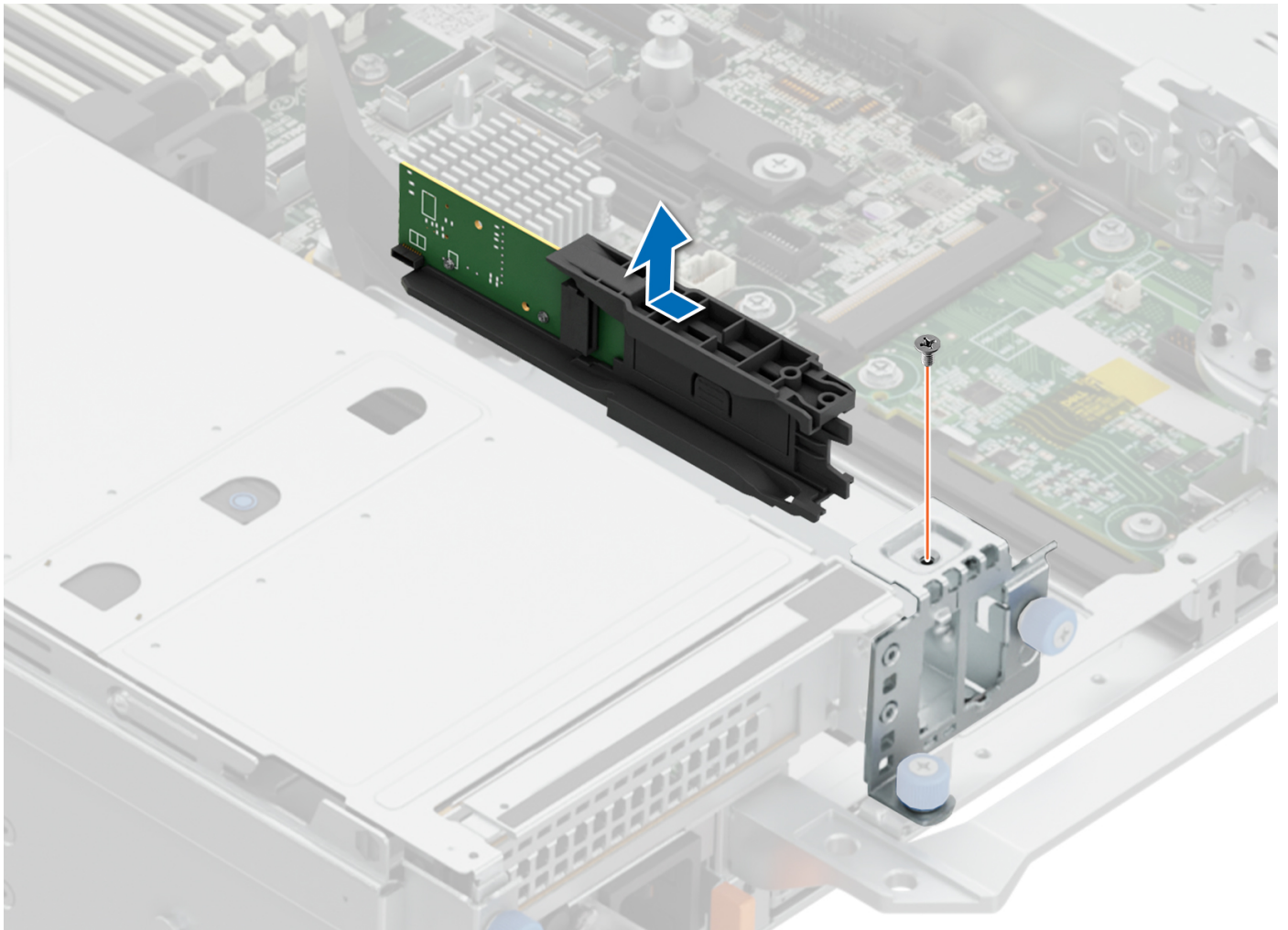


Figure 133. Removing the BOSS-N1 module

8. Remove the BOSS-N1 power and signal cable from the BOSS-N1 module.

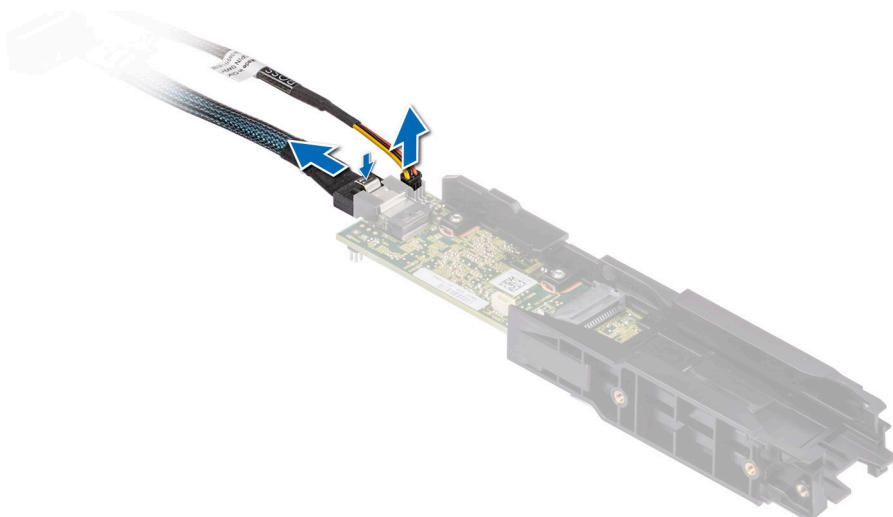


Figure 134. Removing the BOSS-N1 power and signal cable from the BOSS-N1 module

Next steps

1. [Replace the BOSS-N1 module](#) or [Install the BOSS-N1 card blank](#).

Installing the BOSS-N1 module

Prerequisites

1. Follow the safety guidelines listed in the [Safety instructions](#).
2. Follow the procedure listed in the [Before working inside your system](#).

Steps

1. Connect the BOSS-N1 power and signal cables to the connectors on the BOSS-N1 module.

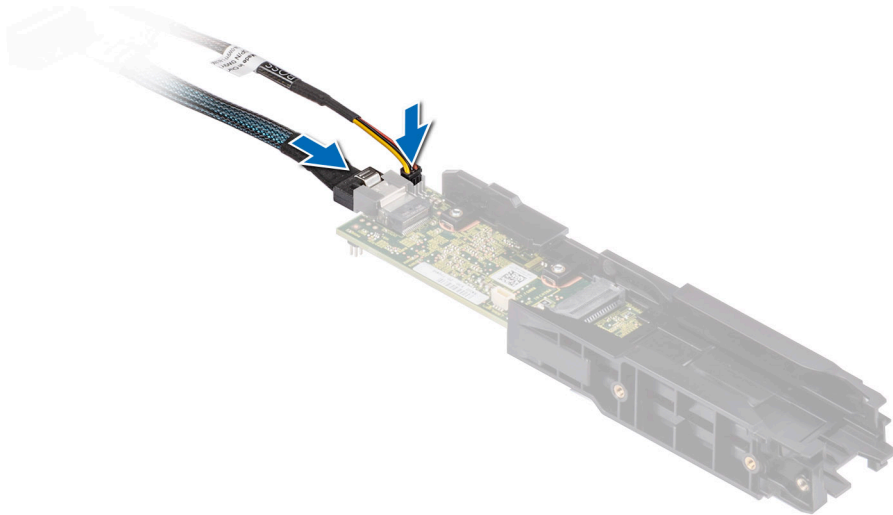


Figure 135. Connecting the BOSS-N1 power and signal cables to the BOSS-N1 module

2. Align the BOSS-N1 module at an angle with the controller card module slot.
3. Insert the BOSS-N1 module and push the module horizontally towards the rear of the system until firmly seated.
4. Using the Phillips #1 screwdriver, secure the BOSS-N1 module with the M3 x 0.5 x 4.5 mm screw.
5. Connect the BOSS-N1 power and signal cable to the connectors on the system board.

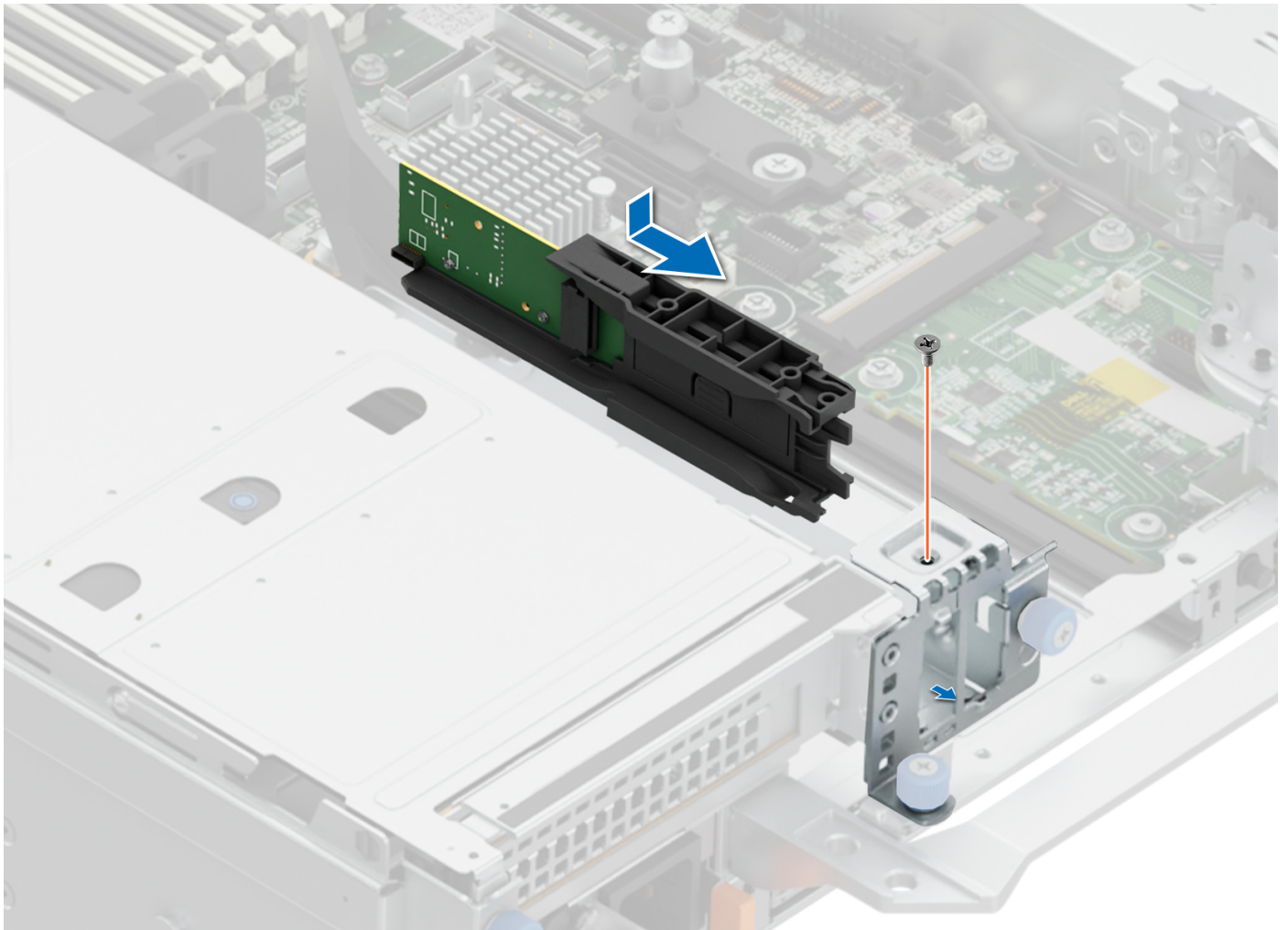


Figure 136. Installing the BOSS-N1 module

6. Align the M.2 SSD at an angle with the BOSS-N1 card carrier.
7. Insert the M.2 SSD until it is firmly seated in the BOSS-N1 card carrier.
8. Using the Phillips #1 screwdriver, secure the M.2 SSD on the BOSS-N1 card carrier with the M3 x 0.5 x 4.5 mm screw.

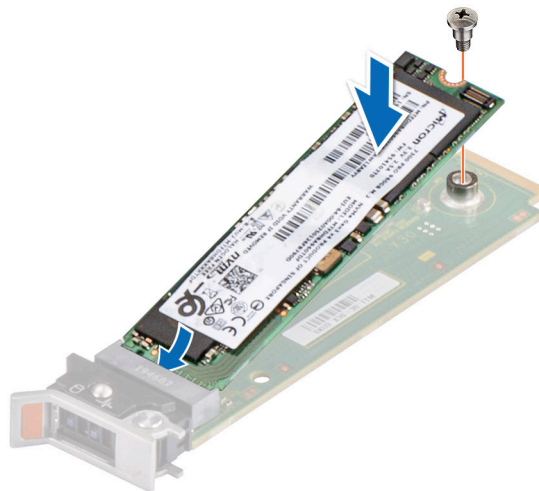


Figure 137. Installing the M.2 SSD

9. Slide the BOSS-N1 card carrier into the BOSS-N1 module slot.

10. Close the BOSS-N1 card carrier release latch to lock the carrier in place.

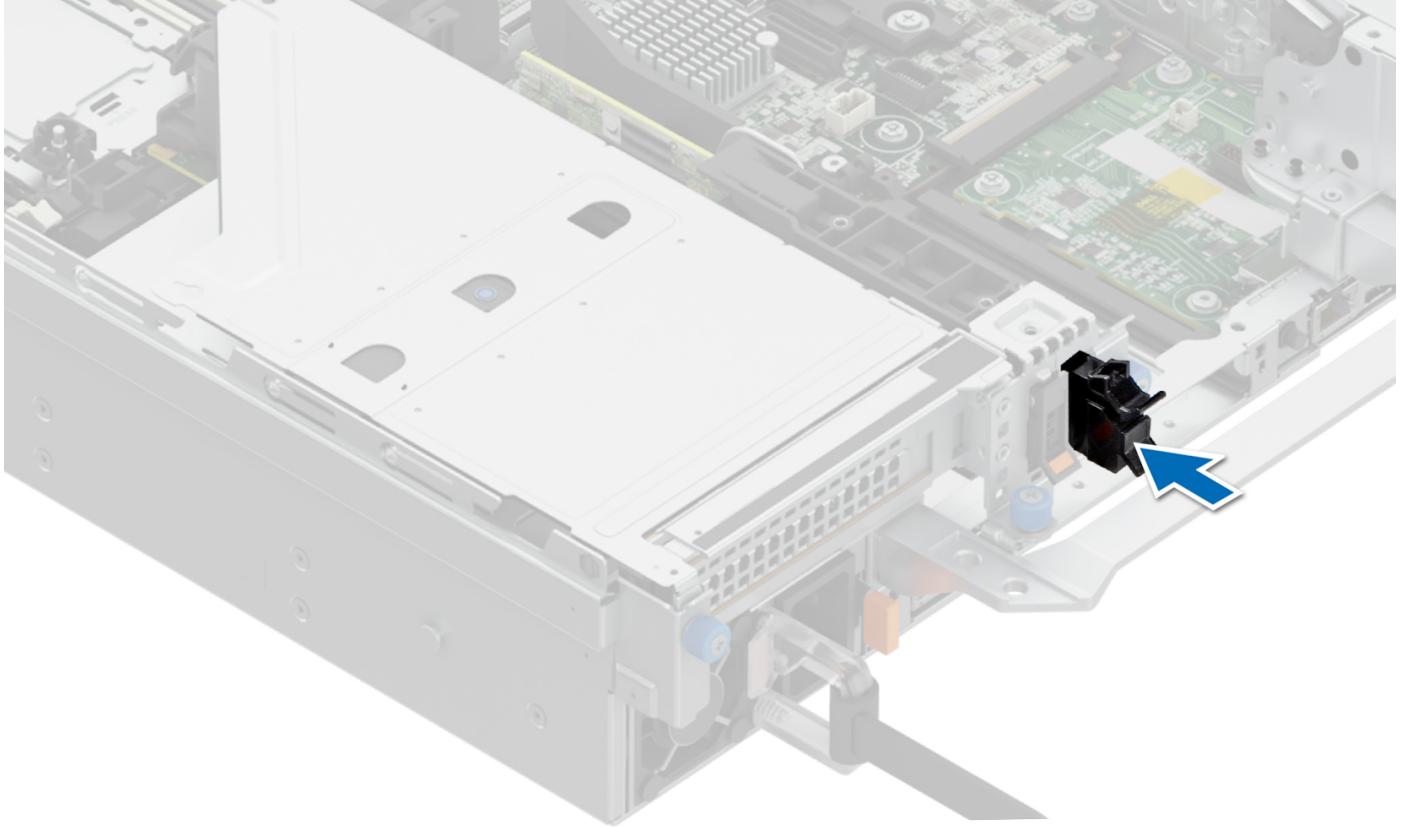


Figure 138. Installing the BOSS-N1 card carrier

Next steps

1. Follow the procedure listed in the [After working inside your system.](#)

Removing the BOSS-N1 shroud

Prerequisites

Follow the safety guidelines listed in the [Safety instructions.](#)

Steps

1. Remove the screw on the BOSS-N1 shroud.

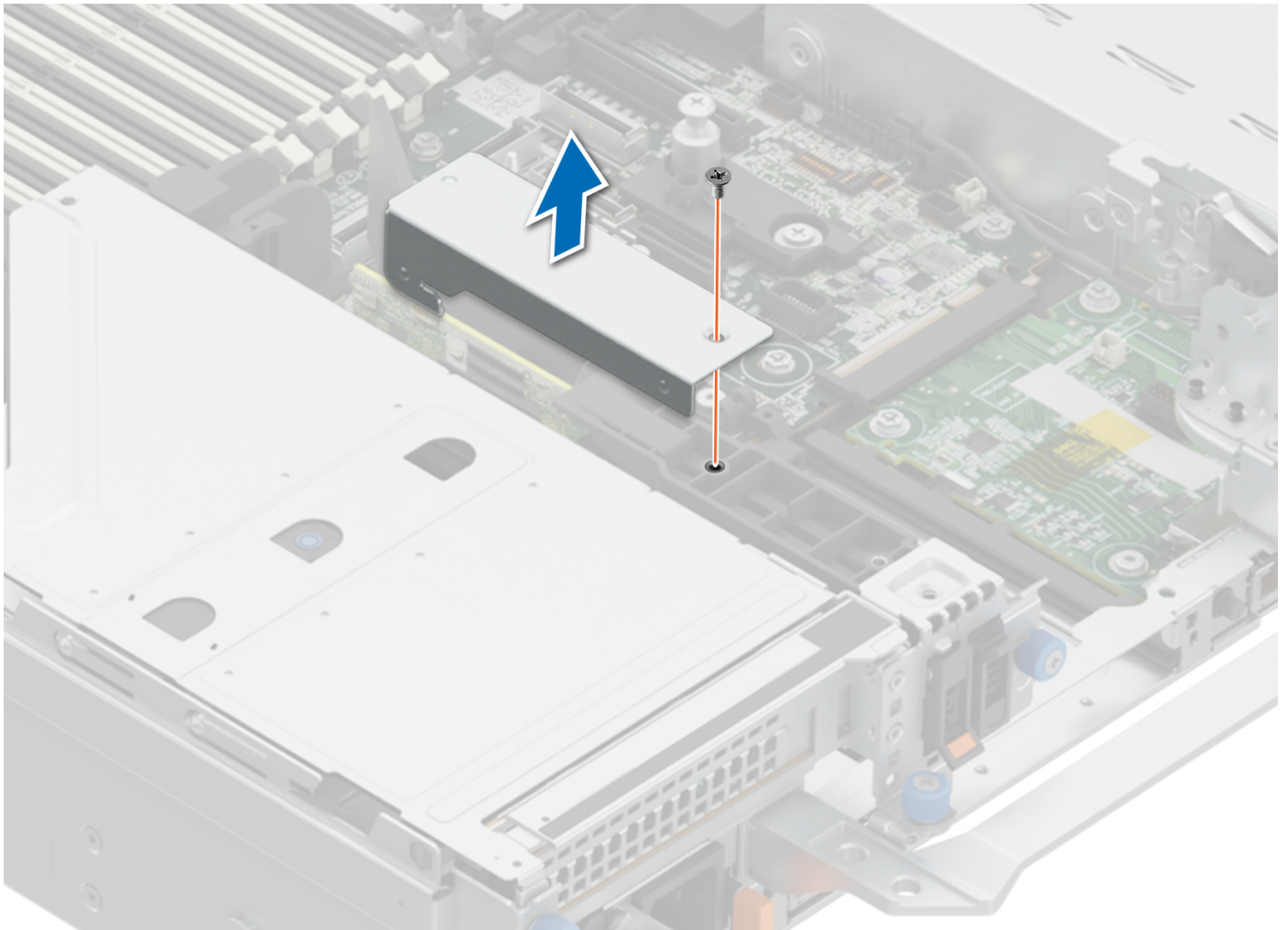


Figure 139. Removing the BOSS-N1 shroud

2. Pull the BOSS-N1 shroud from the BOSS module.

Next steps

1. [Installing the BOSS-N1 shroud.](#)

Installing the BOSS-N1 shroud

Prerequisites

1. Follow the safety guidelines listed in the [Safety instructions](#).
2. Follow the procedure listed in [Before working inside your system](#).

Steps

1. Align the slot on the BOSS-N1 shroud with the BOSS module.

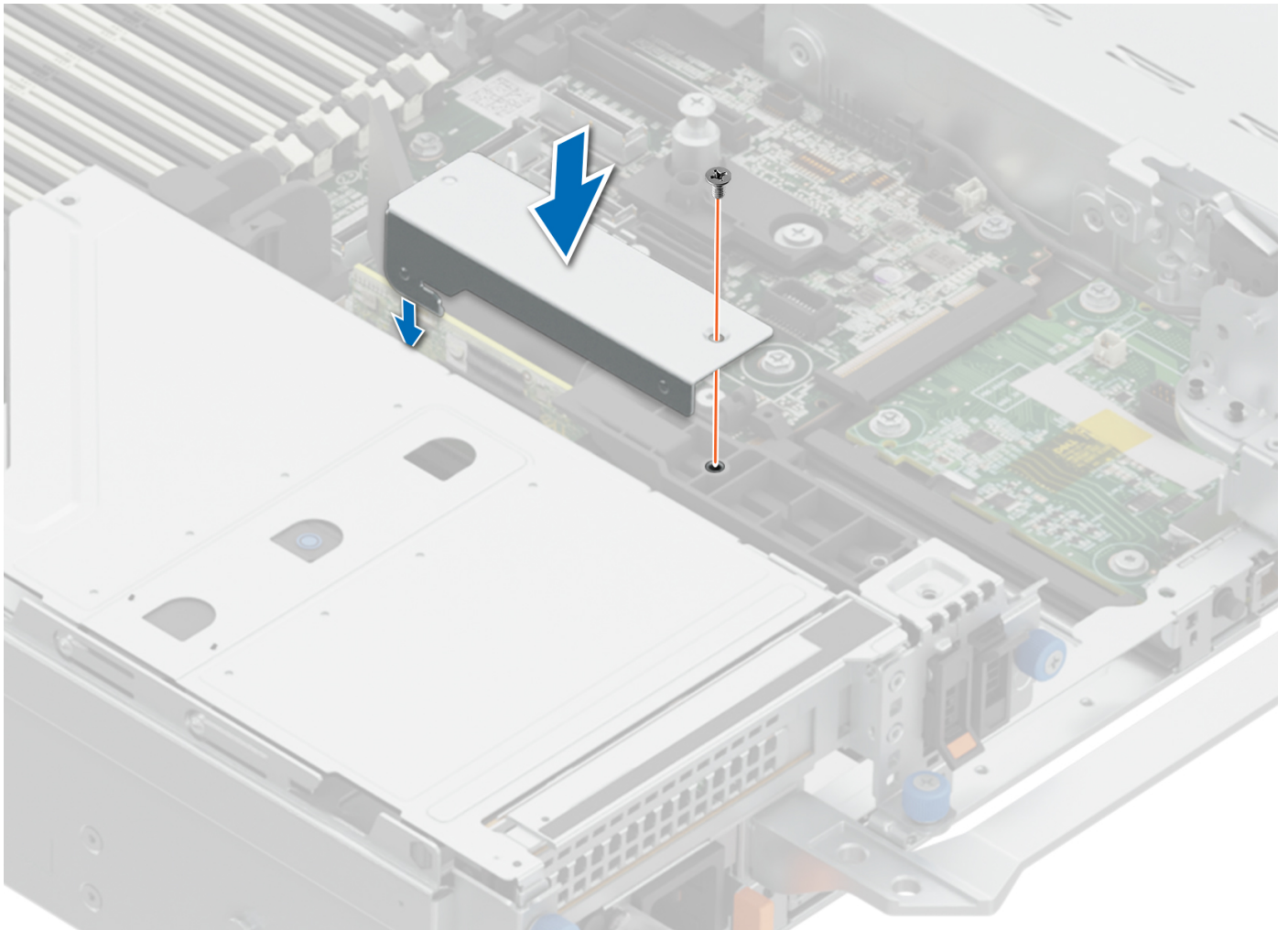


Figure 140. Installing the BOSS-N1 shroud

2. Push the BOSS-N1 shroud into hook on cage and fasten screw to fix the BOSS shroud.

Next steps

1. Follow the procedure listed in [After working inside your system](#).

System battery

This is a service technician replaceable part only.

Replacing the system battery


Prerequisites

⚠ WARNING: There is a danger of a new battery exploding if it is incorrectly installed. Replace the battery only with the same or equivalent type that is recommended by the manufacturer. Discard used batteries according to the manufacturer's instructions. See the Safety instructions. that came with your system for more information.

1. Follow the safety guidelines listed in the [Safety instructions](#).
2. Follow the procedure listed in the [Before working inside your system](#).
3. If applicable, disconnect the power or data cables from the expansion cards.
4. [Remove the expansion card risers](#).

Steps

1. To remove the battery:
 - a. Use a plastic scribe to pry out the system battery.

 **CAUTION:** To avoid damage to the battery connector, you must firmly support the connector while installing or removing a battery.

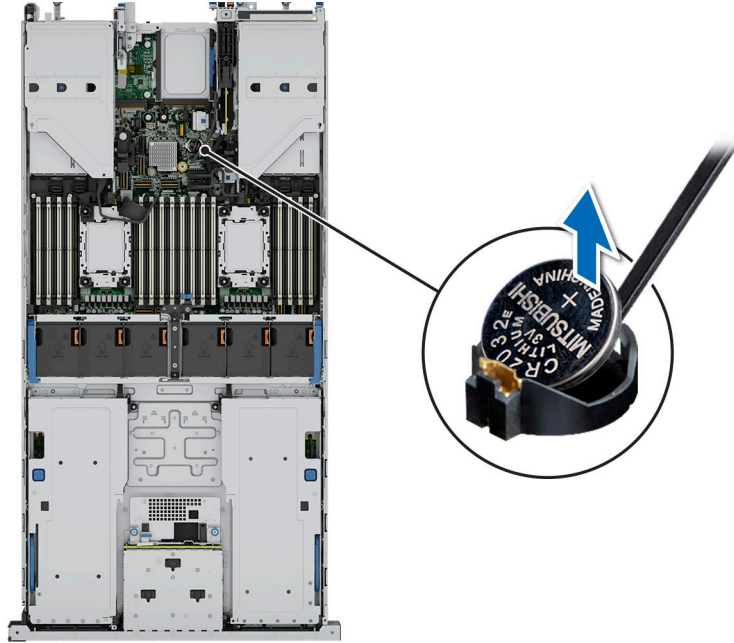


Figure 141. Removing the system battery

2. To install a new system battery:
 - a. Hold the battery with the positive side facing up and slide it under the securing tabs.
 - b. Press the battery into the connector until it snaps into place.

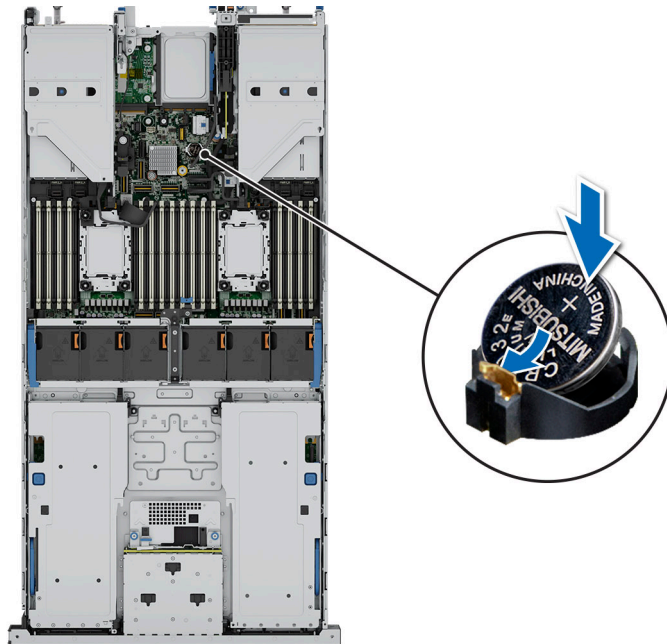


Figure 142. Installing the system battery

Next steps

1. [Install the expansion card risers.](#)
2. If applicable, connect the cables to one or more expansion cards.
3. Follow the procedure listed in [After working inside your system.](#)
4. Confirm that the battery is operating properly, by performing the following steps:
 - a. Enter the System Setup, while booting, by pressing F2.
 - b. Enter the correct time and date in the System Setup **Time** and **Date** fields.
 - c. **Exit** the System Setup.
 - d. To test the newly installed battery, remove the system from the enclosure for at least an hour.
 - e. Reinstall the system into the enclosure after an hour.
 - f. Enter the System Setup and if the time and date are still incorrect, see [Getting help](#) section.

Optional internal USB card

NOTE: To locate the internal USB port on the system board, see the [System board jumpers and connectors](#) section.

Removing the internal USB card

Prerequisites

CAUTION: To avoid interference with other components in the server, the maximum permissible dimensions of the USB memory key are 15.9 mm wide x 57.15 mm long x 7.9 mm high.

1. Follow the safety guidelines listed in the [Safety instructions.](#)
2. Follow the procedure listed in the [Before working inside your system.](#)
3. [Remove the expansion card risers.](#)

Steps

1. Holding the blue tag, lift the internal USB card to disconnect from the connector on the system board.
2. Remove the USB memory key from the internal USB card.

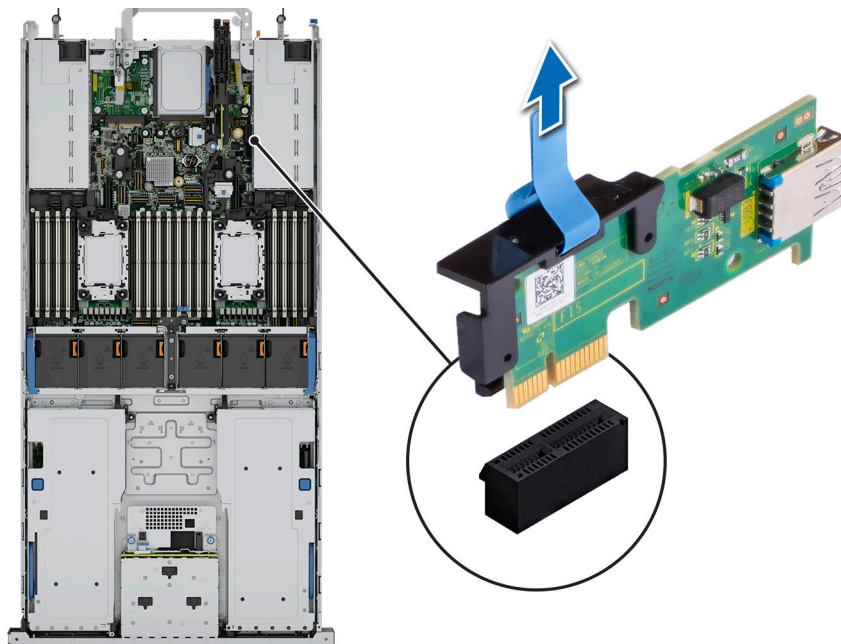


Figure 143. Removing the internal USB card

Next steps

1. [Replace the internal USB card.](#)

Installing the internal USB card

Prerequisites

1. Follow the safety guidelines listed in the [Safety instructions](#).
2. Follow the procedure listed in [Before working inside your system](#).
3. [Remove the expansion card risers.](#)

Steps

1. Connect the USB key to the internal USB card.

NOTE: For information on the exact location of internal USB card on system board, see [System board jumpers and connectors](#) section.

2. Align the internal USB card with the connector on the system board and press firmly until the internal USB card is seated.

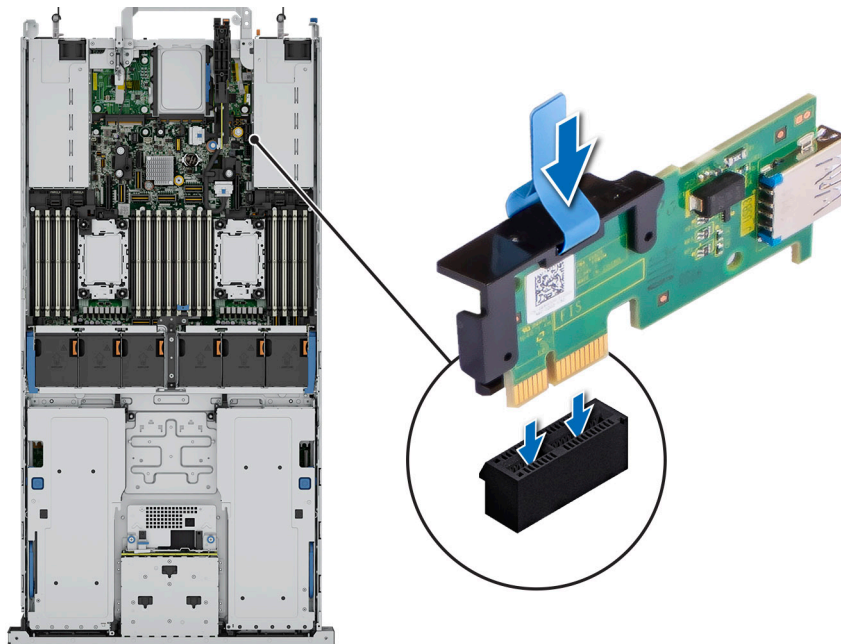


Figure 144. Installing the internal USB card

Next steps

1. [Install the expansion card risers.](#)
2. Follow the procedure listed in [After working inside your system](#).
3. While booting, press F2 to enter **System Setup** and verify that the system detects the USB memory key.

Intrusion switch

This is a service technician replaceable part only.

Removing the intrusion switch module

Prerequisites

1. Follow the safety guidelines listed in the [Safety instructions](#).
2. Follow the procedure listed in the [Before working inside your system](#).
3. [Remove the expansion card risers](#).

NOTE: Ensure that you note the routing of the cables as you remove them from the system board. Route the cables properly when you replace them to prevent cables from being pinched or crimped.

Steps

1. Disconnect the intrusion switch cable from the connector on the rear I/O board.
2. Using a Phillips #1 screwdriver, loosen the screw on the intrusion switch module.
3. Slide the intrusion switch module out of the slot on the system.

NOTE: The numbers on the image do not depict the exact steps. The numbers are for representation of sequence.

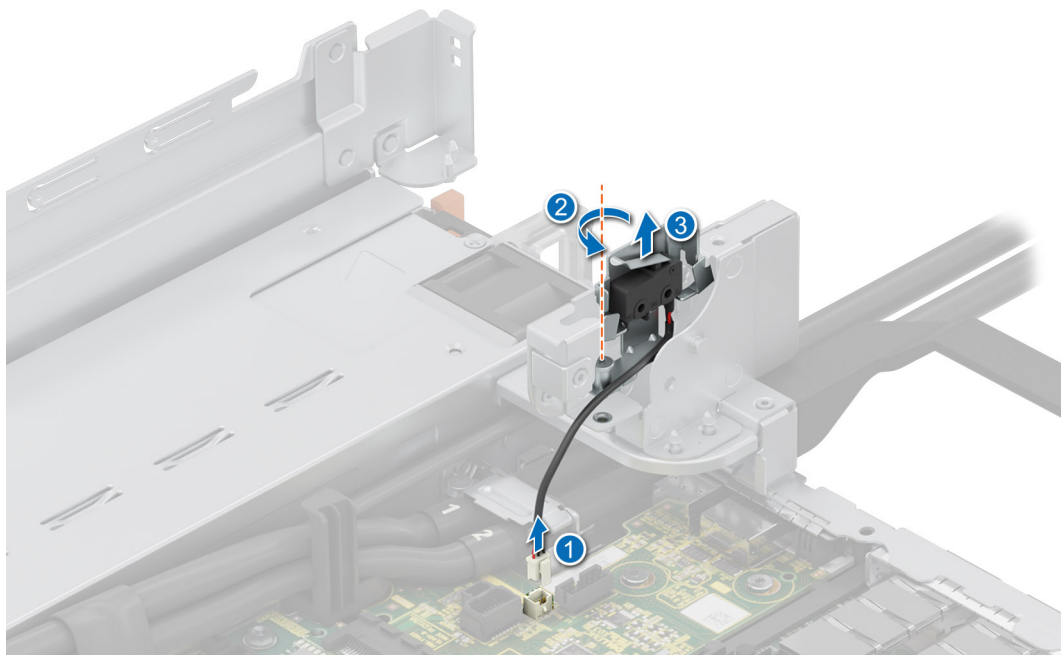


Figure 145. Removing the intrusion switch module

Next steps

1. [Replace the intrusion switch module](#).

Installing the intrusion switch module

Prerequisites

1. Follow the safety guidelines listed in the [Safety instructions](#).
2. Follow the procedure listed in [Before working inside your system](#).

3. [Remove the expansion card risers.](#)

NOTE: Ensure that you note the routing of the cables as you remove them from the system board. Route the cables properly when you replace them to prevent cables from being pinched or crimped.

Steps

1. Align the guides on the intrusion switch module with the standoffs on the system.
2. Slide the intrusion switch module into the slot in the system until firmly seated.
3. Using a Phillips #1 screwdriver, tighten the screw on the intrusion switch module.
4. Connect the intrusion switch cable to the connector on the rear I/O board.

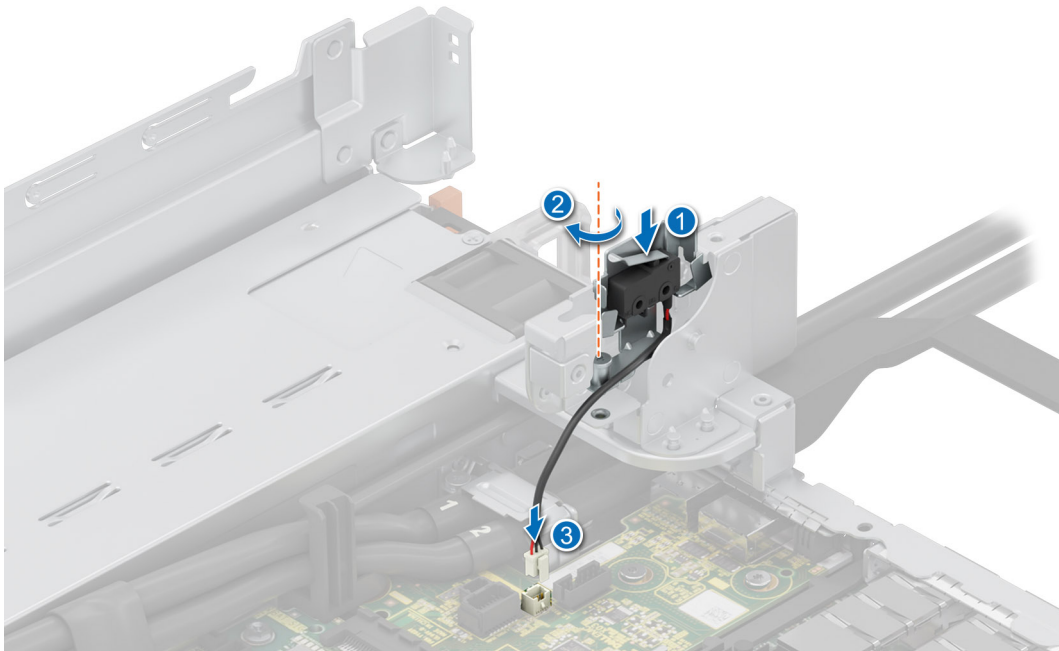


Figure 146. Installing the intrusion switch module

Next steps

1. [Install the expansion card risers.](#)
2. Follow the procedure listed in [After working inside your system.](#)

Optional OCP card

Removing the OCP card

Prerequisites

1. Follow the safety guidelines listed in the [Safety instructions.](#)
2. Follow the procedure listed in the [Before working inside your system.](#)
3. [Remove the expansion card risers.](#)

Steps

1. Open the blue latch to disengage the OCP card.
2. Push the OCP card towards the rear end of the system to disconnect from the connector on the system board.
3. Slide the OCP card out of the slot on the system.

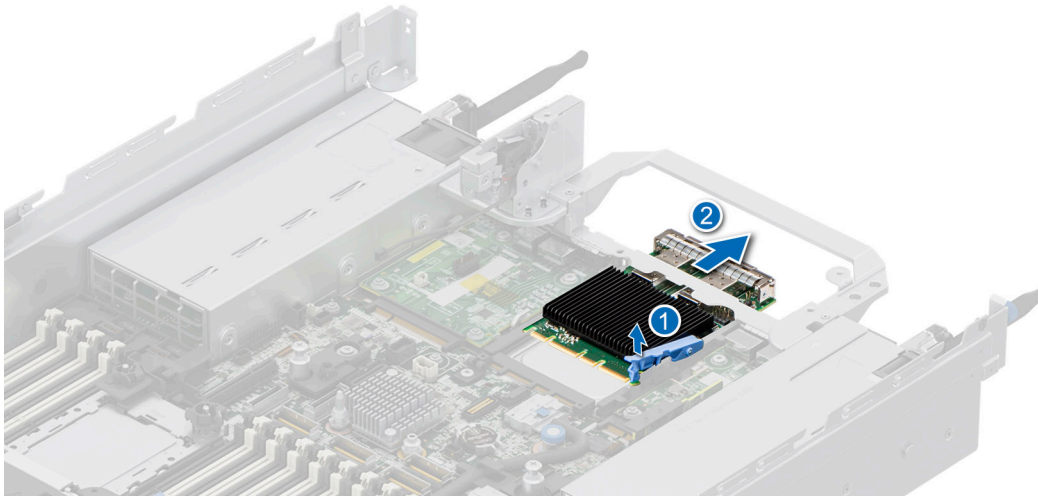


Figure 147. Removing the OCP card

4. If the OCP card is not going to be replaced, install a filler bracket.

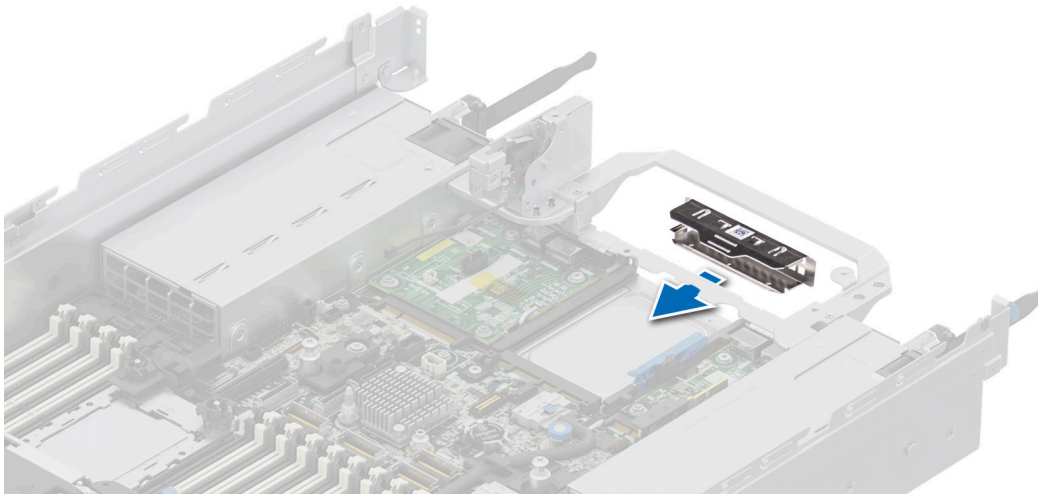


Figure 148. Installation of filler bracket

Next steps

1. [Replace the OCP card.](#)

Installing the OCP card

Prerequisites

1. Follow the safety guidelines listed in the [Safety instructions](#).
2. Follow the procedure listed in the [Before working inside your system](#).
3. [Remove the expansion card risers.](#)

Steps

1. If installed, remove the filler bracket.

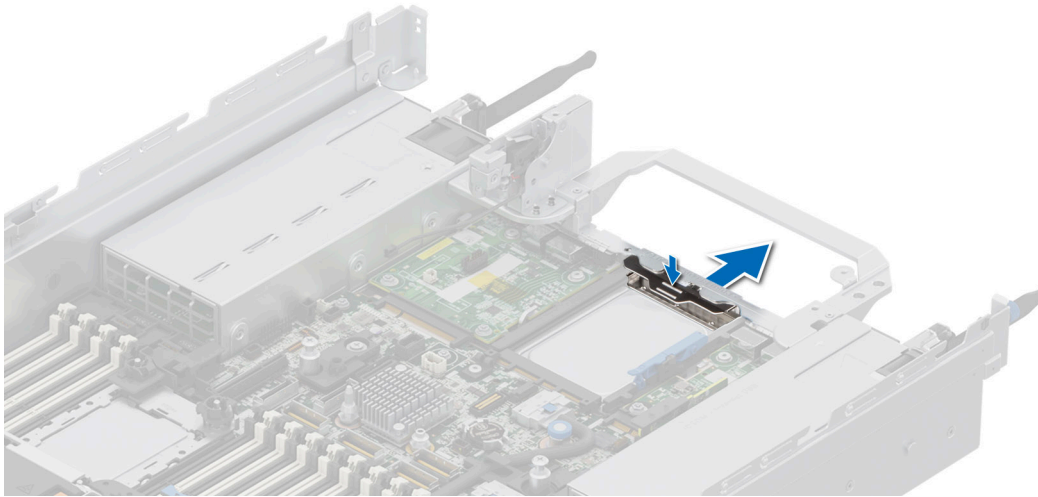


Figure 149. Removal of filler bracket

2. Align the OCP shroud with the Riser 2 blank and install it in the system.

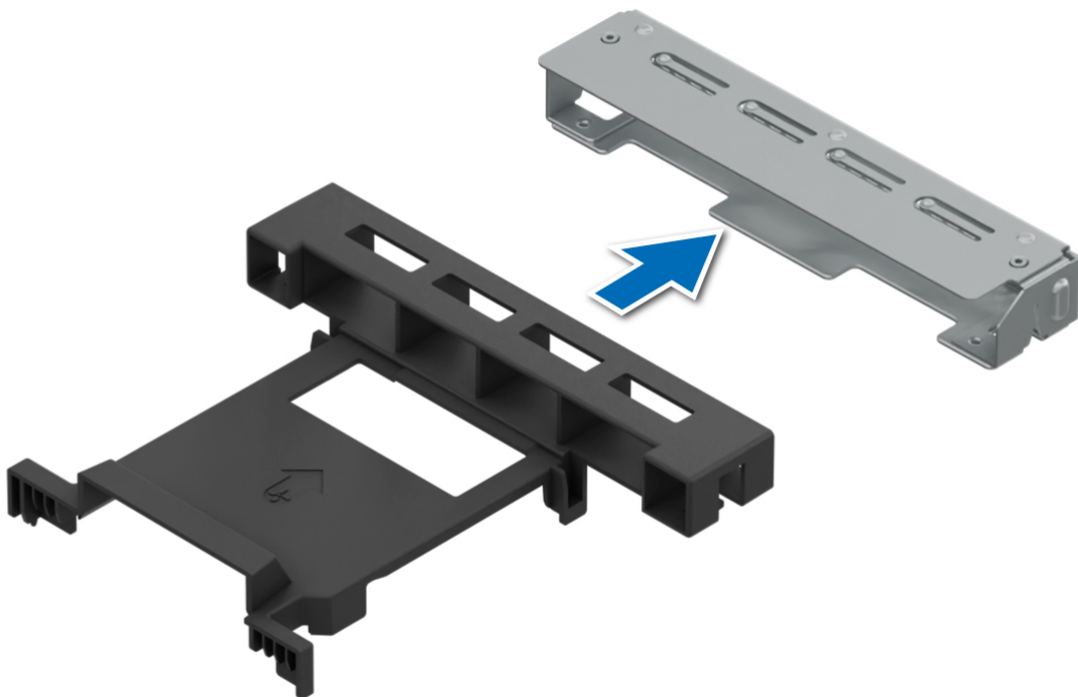


Figure 150. Placing the OCP shroud in the Riser 2 blank

3. Open the blue latch on the system board.
4. Slide the OCP card into the slot in the system.
5. Push until the OCP card is connected to the connector on the system board.
6. Close the latch to lock the OCP card to the system.

NOTE: The numbers on the image do not depict the exact steps. The numbers are for representation of sequence.

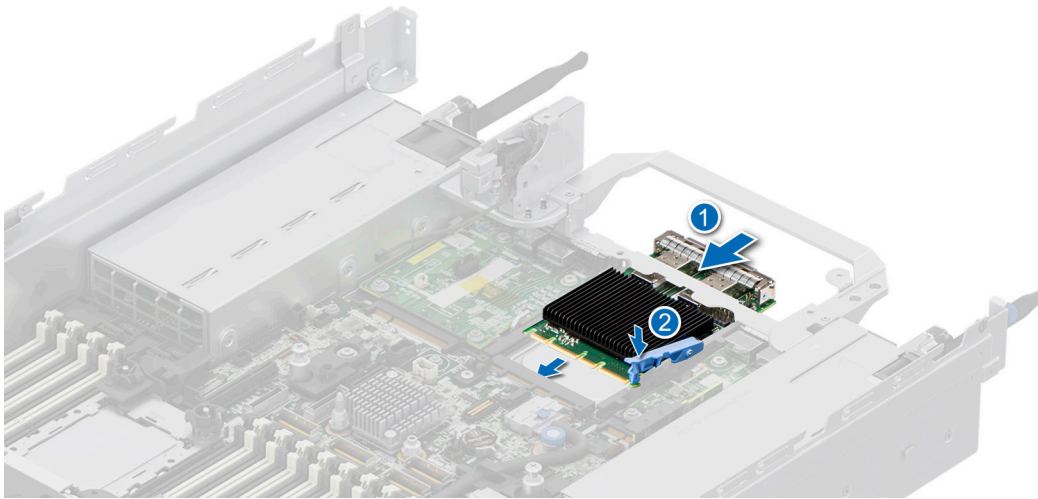


Figure 151. Installing the OCP card

Next steps

1. [Install the expansion card risers.](#)
2. Follow the procedure listed in [After working inside your system.](#)

Power supply unit

NOTE: While replacing the hot swappable PSU, after next server boot; the new PSU automatically updates to the same firmware and configuration of the replaced one. For more information about the Part replacement configuration, see the *Lifecycle Controller User's Guide* at <https://www.dell.com/idracmanuals>

Hot spare feature

Your system supports the hot spare feature that significantly reduces the power overhead associated with the power supply unit (PSU) redundancy.

When the hot spare feature is enabled, one of the redundant PSUs is switched to the sleep state. The active PSU supports 100 percent of the system load, thus operating at higher efficiency. The PSU in the sleep state monitors output voltage of the active PSU. If the output voltage of the active PSU drops, the PSU in the sleep state returns to an active output state.

If having both PSUs active is more efficient than having one PSU in the sleep state, the active PSU can also activate the sleeping PSU.

The default PSU settings are as follows:

- If the load on the active PSU is more than 50 percent of PSU rated power wattage, then the redundant PSU is switched to the active state.
- If the load on the active PSU falls below 20 percent of PSU rated power wattage, then the redundant PSU is switched to the sleep state.

You can configure the hot spare feature by using the iDRAC settings. For more information, see the *iDRAC User's Guide* available at www.dell.com/poweredge manuals.

Removing a power supply unit blank

Prerequisites

Follow the safety guidelines listed in the [Safety instructions](#).

Steps

Pull the blank out of the system.

CAUTION: To ensure proper system cooling, the PSU blank must be installed in the second PSU bay in a non-redundant configuration. Remove the PSU blank only if you are installing a second PSU.

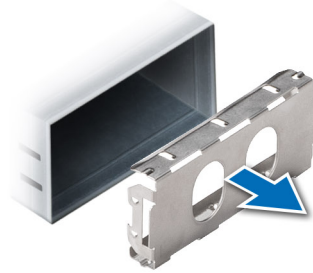


Figure 152. Removing a power supply unit blank

Next steps

1. [Replace the PSU blank](#) or [install the PSU](#).

Installing a power supply unit blank

Prerequisites

1. Follow the safety guidelines listed in the [Safety instructions](#).

NOTE: Install the power supply unit (PSU) blank only in the second PSU bay.

2. If required, [Remove the PSU](#).

Steps

Align the PSU blank with the PSU bay and push it into the PSU bay until it clicks into place.

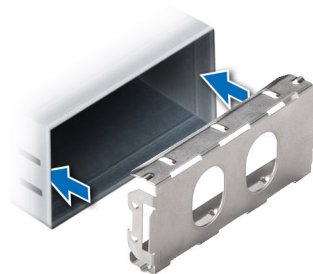


Figure 153. Installing a power supply unit blank

Removing a power supply unit

Prerequisites

CAUTION: The system requires one power supply unit (PSU) for normal operation. On power-redundant systems, remove and replace only one PSU at a time in a system that is powered on.

1. Follow the safety guidelines listed in the [Safety instructions](#).
 2. Disconnect the power cable from the power outlet and from the PSU you intend to remove.
 3. Remove the cable from the strap on the PSU handle.
 4. Unlatch and lift or remove the optional cable management accessory if it interferes with the PSU removal.
- NOTE:** For information about the cable management when the PSU is removed or installed while the system is in a rack, see the system's cable management arm documentation at <https://www.dell.com/poweredgemanuals>.

Steps

Press the release latch and holding the PSU handle, slide the PSU out of the bay.

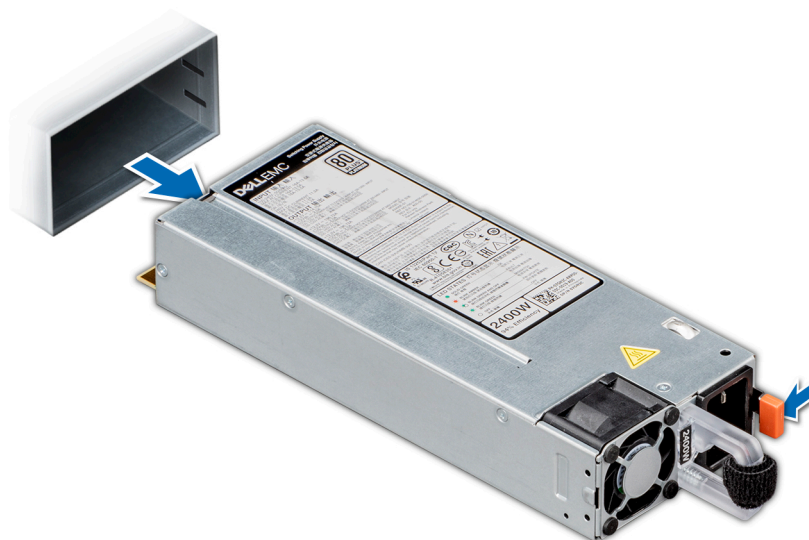


Figure 154. Removing a power supply unit

Next steps

1. [Replace the PSU](#) or [Install the PSU blank](#).

Installing a power supply unit

Prerequisites

1. Follow the safety guidelines listed in the [Safety instructions](#).
 2. For systems that support redundant PSU, ensure that both the PSUs are of the same type and have the same maximum output power.
- NOTE:** The maximum output power (shown in watts) is listed on the PSU label.
3. [Remove the PSU blank](#).

Steps

Slide the PSU into the PSU bay until the release latch snaps into place.

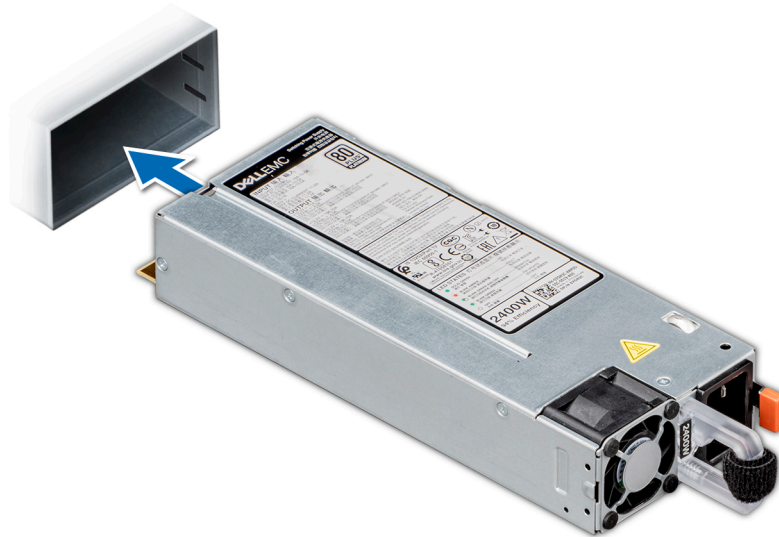


Figure 155. Installing a power supply unit

Next steps

1. If you have unlatched or removed the cable management accessory, re-install or relatch it. For information about the cable management when the PSU is removed or installed while the system is in the rack, see the system's cable management accessory documentation at <https://www.dell.com/poweredgemanuals>.
2. Connect the power cable to the PSU, and plug the cable into a power outlet.

CAUTION: When connecting the power cable to the PSU, secure the cable to the PSU with the strap.

NOTE: When installing, hot swapping, or hot adding a new PSU, wait for 15 seconds for the system to recognize the PSU and determine its status. The PSU redundancy may not occur until discovery is complete. The PSU status indicator turns green to indicate that the PSU is functioning properly.

Trusted Platform Module

This is a service technician replaceable part only.

Upgrading the Trusted Platform Module

Removing the TPM

Prerequisites

NOTE:

- Ensure that your operating system supports the version of the TPM module being installed.
- Ensure that you download and install the latest BIOS firmware on your system.
- Ensure that the BIOS is configured to enable UEFI boot mode.

CAUTION: After the TPM plug-in module is installed, it is cryptographically bound to that specific system board. When the system is powered on, any attempt to remove an installed TPM plug-in module breaks the cryptographic binding, and the removed TPM cannot be installed on another system board. Ensure any keys you have stored on the TPM have been securely transferred.

Steps

1. Locate the TPM connector on the system board.
2. Press to hold the module down and remove the screw using the security Torx 8-bit shipped with the TPM module.
3. Slide the TPM module out from its connector.
4. Push the plastic rivet away from the TPM connector and rotate it 90° counterclockwise to release it from the system board.
5. Pull the plastic rivet out of its slot on the system board.

Installing the TPM

Steps

1. To install the TPM, align the edge connectors on the TPM with the slot on the TPM connector.
2. Insert the TPM into the TPM connector such that the plastic rivet aligns with the slot on the system board.
3. Press the plastic rivet until the rivet snaps into place.
4. Replace the screw that secures the TPM to the system board.

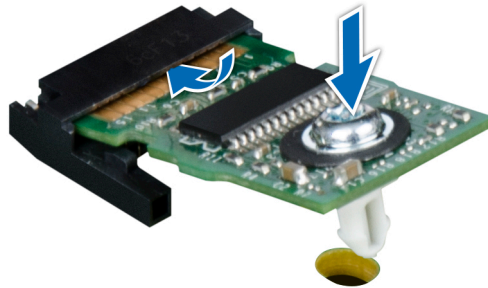


Figure 156. Installing the TPM

Initializing TPM for users

Steps

1. Initialize the TPM.
For more information, see [Initializing the TPM for users](#).
2. The **TPM Status** changes to **Enabled, Activated**.

Initializing the TPM 1.2 for users

Steps

1. While booting your system, press F2 to enter System Setup.
2. On the **System Setup Main Menu** screen, click **System BIOS > System Security Settings**.
3. From the **TPM Security** option, select **On with Preboot Measurements**.
4. From the **TPM Command** option, select **Activate**.
5. Save the settings.
6. Restart your system.

Initializing the TPM 2.0 for users

Steps


1. While booting your system, press F2 to enter System Setup.
2. On the **System Setup Main Menu** screen, click **System BIOS** > **System Security Settings**.
3. From the **TPM Security** option, select **On**.
4. Save the settings.
5. Restart your system.

System board

This is a service technician replaceable part only.

Removing the system board

Prerequisites

 **CAUTION:** If you are using the Trusted Platform Module (TPM) with an encryption key, you may be prompted to create a recovery key during program or System Setup. Be sure to create and safely store this recovery key. If you replace this system board, you must supply the recovery key when you restart your system or program before you can access the encrypted data on your drives.

1. Follow the safety guidelines listed in the [Safety instructions](#).
2. Follow the procedure listed in the [Before working inside your system](#).
3. Remove the following components:
 - a. [Air shroud](#)
 - b. [Cooling fan cage assembly](#)
 - c. [Side wall bracket](#)
 - d. [Memory modules](#)
 - e. [Processor and heat sink module](#) or [Liquid cooling module](#)
 - f. [BOSS-N1 module](#) (if installed)
 - g. [Serial COM port](#) (if installed)
 - h. [VGA port](#) (if installed)
 - i. [Expansion card risers](#)
 - j. [Internal USB card](#) (if installed)
 - k. [OCP card](#) (if installed)
 - l. [Intrusion switch module](#)
 - m. [Power supply units \(PSU\)](#)
 - n. Disconnect all cables from the system board.

 **CAUTION:** Take care not to damage the system identification button while removing the system board from the system.

Steps

1. Using the system board holder and plunger, slide the system board towards the front of the system.
2. Lift the system board out of the chassis.

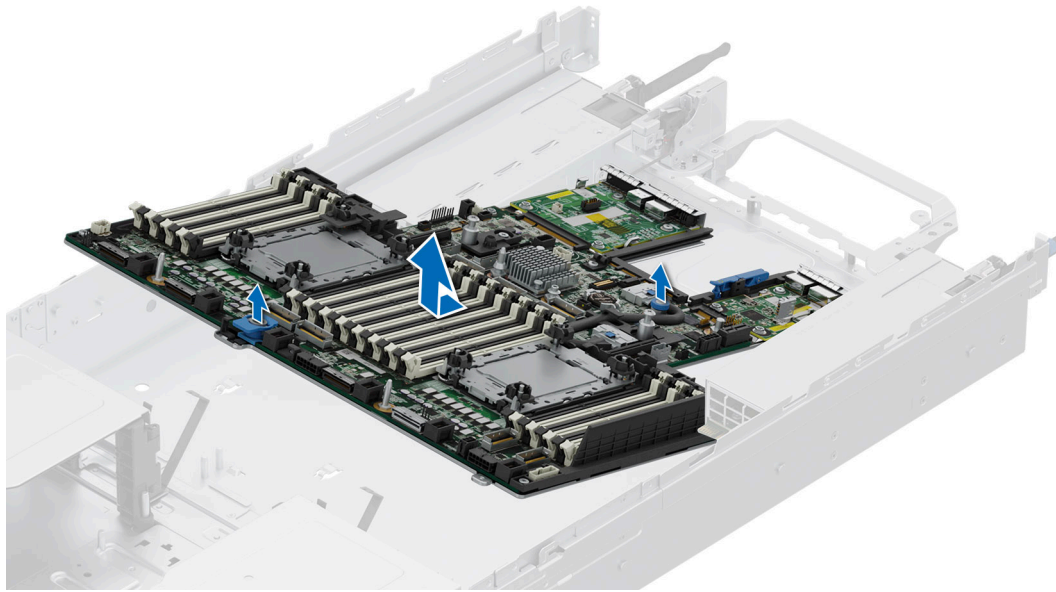


Figure 157. Removing the system board

Next steps

1. [Install the system board.](#)

Installing the system board

Prerequisites

NOTE: Before replacing the system board, replace the old iDRAC MAC address label in the Information tag with the iDRAC MAC address label of the replacement system board

1. Follow the safety guidelines listed in the [Safety instructions](#).
2. Follow the procedure listed in [Before working inside your system](#).
3. If you are replacing the system board, remove all the components that are listed in the [removing the system board](#) section.

Steps

1. Unpack the new system board assembly.

CAUTION: Do not lift the system board by holding a memory module, processor, or other components.

CAUTION: Take care not to damage the system identification button while placing the system board into the chassis.

2. Holding the system board holder and plunger, lower the system board into the system.
3. Slide the system board towards the rear of the chassis until the connectors are firmly seated in the slots.

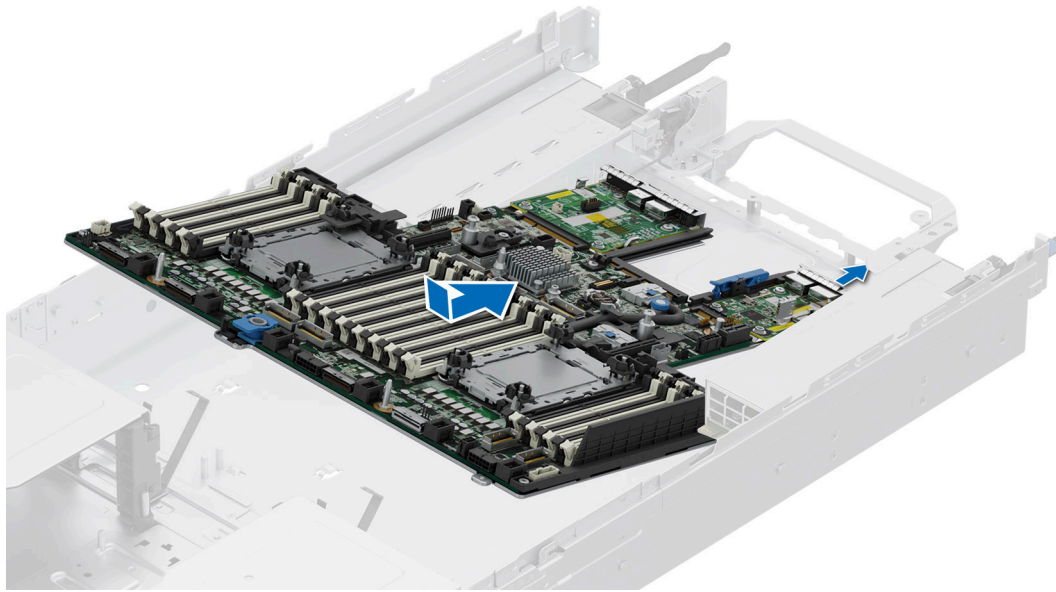


Figure 158. Installing the system board

Next steps

1. Replace the following components:
 - a. [Trusted Platform Module \(TPM\)](#)
 - i** **NOTE:** The TPM Module must be replaced only while installing new system board.
 - b. [Internal USB card \(if removed\)](#)
 - c. [OCP card \(if removed\)](#)
 - d. [Intrusion switch module](#)
 - e. [Processor and heat sink](#) or [Liquid cooling module](#)
 - f. [Memory modules](#)
 - g. [BOSS-N1 module \(if removed\)](#)
 - h. [Serial COM port \(if removed\)](#)
 - i. [VGA port \(if removed\)](#)
 - j. [Expansion card risers](#)
 - k. [Side wall bracket](#)
 - l. [Cooling fan cage assembly](#)
 - m. [Air shroud](#)
 - n. [Power supply units \(PSU\)](#)
2. Reconnect all cables to the system board.
 - i** **NOTE:** Ensure that the cables inside the system are routed along the chassis wall and secured using the cable securing bracket.
3. Ensure that you perform the following steps:
 - a. Use the Easy Restore feature to restore the Service Tag. See the [Restoring the system using Easy Restore](#) section.
 - b. If the service tag is not backed up in the backup flash device, enter the system service tag manually. See the [Manually update the Service Tag by using System Setup](#) section.
 - c. Update the BIOS and iDRAC versions.
 - i** **NOTE:** Reenable the Trusted Platform Module (TPM). See the [Upgrading the Trusted Platform Modules](#) section.
4. If you are not using Easy restore, import your new or existing iDRAC Enterprise license. For more information, see the [Integrated Dell Remote Access Controller User's Guide](#) available at <https://www.dell.com/idracmanuals..>
5. Follow the procedure listed in [After working inside your system](#).

Restoring the system using Easy Restore

The Easy Restore feature enables you to restore your service tag, license, UEFI configuration, and the system configuration data after replacing the system board. All data is backed up in a backup flash device automatically. If BIOS detects a new system board, and the service tag in the backup flash device, BIOS prompts the user to restore the backup information.

About this task

Below is a list of options/steps available:

Steps

1. Restore the service tag, license, and diagnostics information, press **Y**
2. Navigate to the Lifecycle Controller based restore options, press **N**
3. Restore data from a previously created **Hardware Server Profile**, press **F10**
i **NOTE:** When the restore process is complete, BIOS prompts to restore the system configuration data.
4. Restore data from a previously created **Hardware Server Profile**, press **F10**
5. To restore the system configuration data, press **Y**
6. To use the default configuration settings, press **N**
i **NOTE:** After the restore process is complete, system reboots.

LOM card and rear I/O board

Removing the LOM card and rear I/O board

Prerequisites

1. Follow the safety guidelines listed in the [Safety instructions](#).
2. Follow the procedure listed in the [Before working inside your system](#).
3. [Remove the system board](#).
i **NOTE:** The procedure to remove the liquid cooling rear I/O board and rear I/O board is same.

Steps

1. Using a Phillips # 2 screwdriver, remove the screws that secure the LAN on Motherboard (LOM) card and rear I/O board to the system board.
2. Holding the edges, pull the LOM card or rear I/O board to disconnect from the connector on the system board.

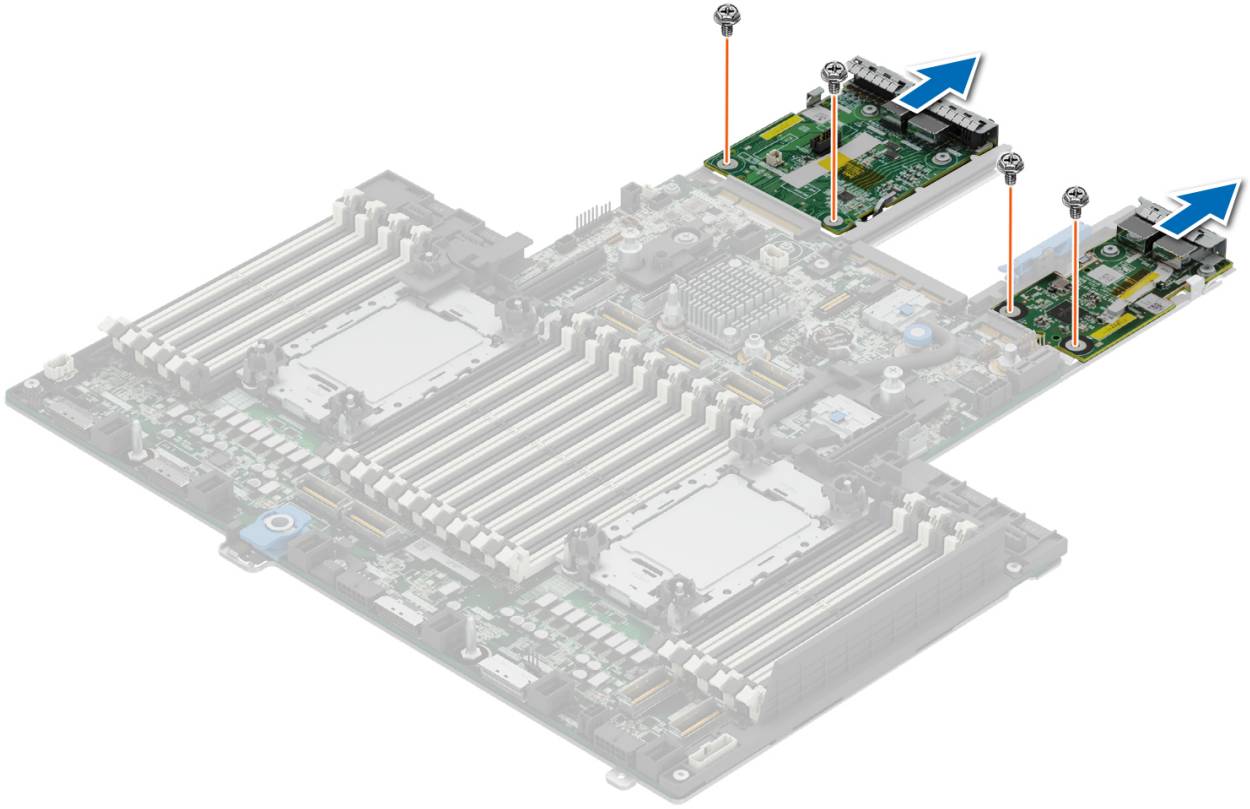


Figure 159. Removing the LOM card and rear I/O board

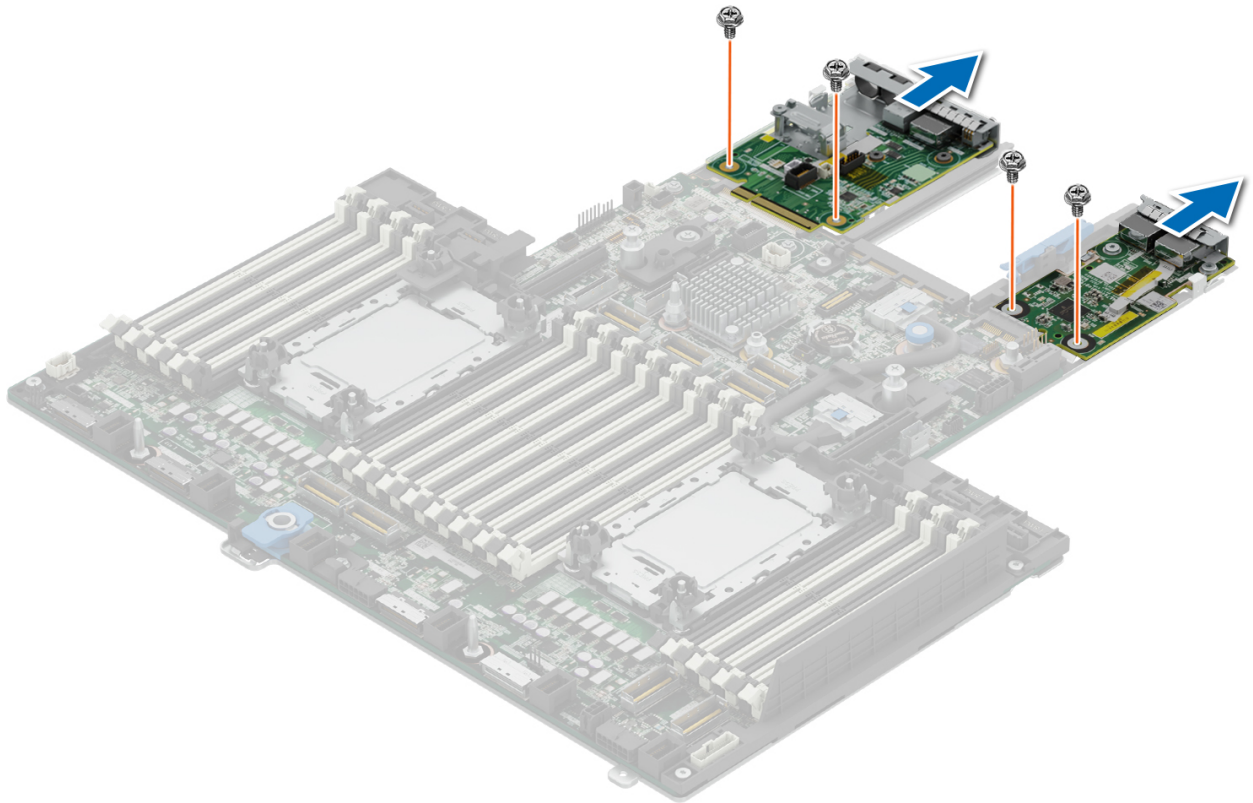


Figure 160. Removing liquid cooling rear I/O board

Next steps

1. [Replace the LOM card and rear I/O board.](#)

Installing the LOM card and rear I/O board

Prerequisites

1. Follow the safety guidelines listed in the [Safety instructions](#).
2. Follow the procedure listed in the [Before working inside your system](#).
3. [Remove the system board.](#)

i **NOTE:** The procedure to install the liquid cooling rear I/O board and rear I/O board is same.

Steps

1. Align the connectors and slots on the LOM card or rear I/O board with the connector and standoffs on the system board.
2. Press the LOM card or rear I/O board until firmly seated on the system board connector.
3. Using a Phillips #2 screwdriver, secure the LOM card or rear I/O board to the system board with screws.

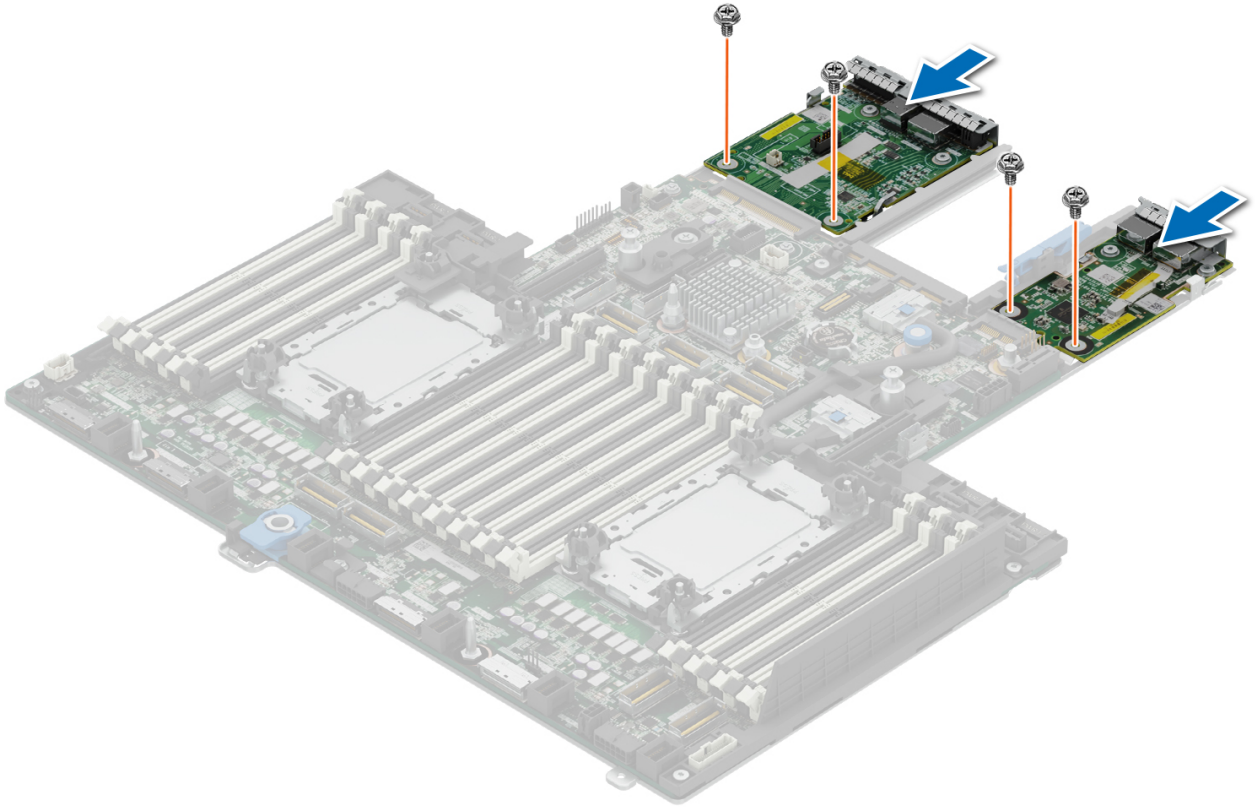


Figure 161. Installing the LOM card and rear I/O board

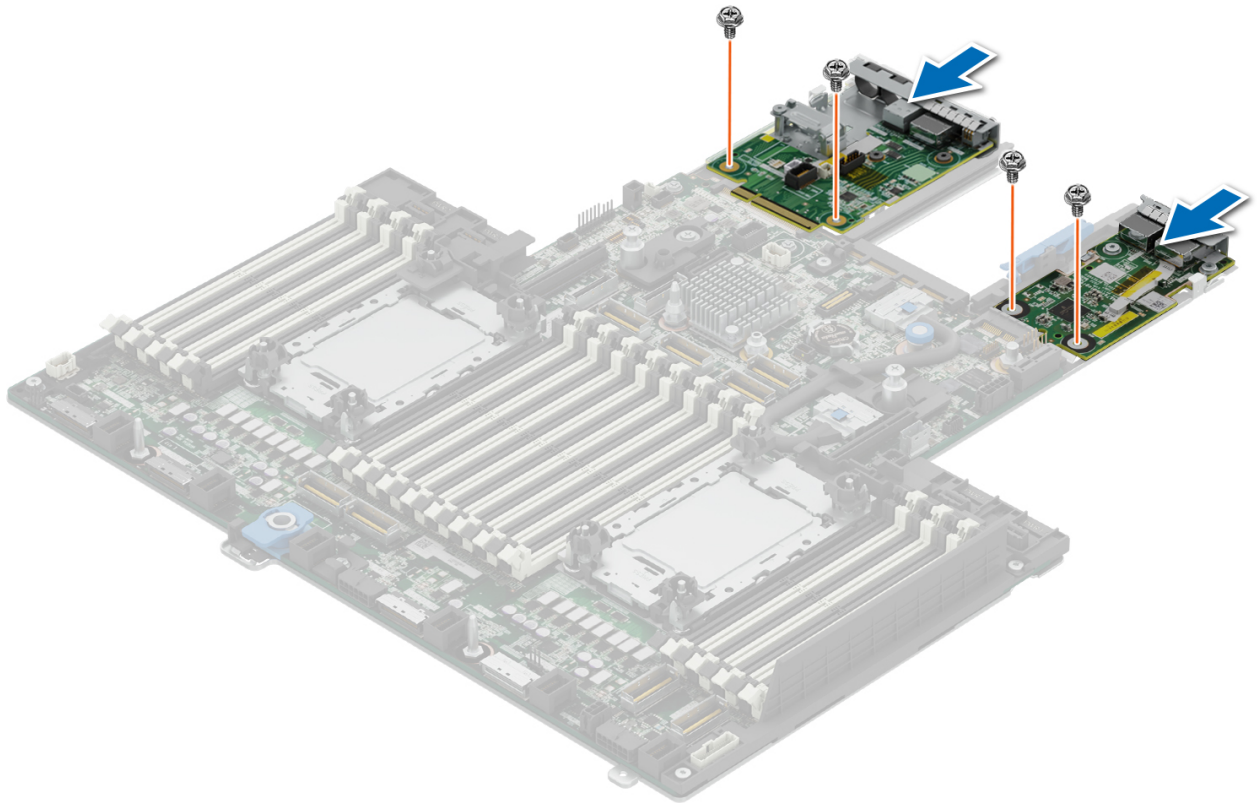


Figure 162. Installing the liquid cooling rear I/O board

Next steps

1. [Install the system board.](#)
2. Follow the procedure listed in [After working inside your system.](#)

Control panel

This is a service technician replaceable part only.

Removing the right control panel

Prerequisites

1. Follow the safety guidelines listed in the [Safety instructions.](#)
2. Follow the procedure listed in the [Before working inside your system.](#)
3. [Remove the drive backplane cover.](#)
4. If installed, [remove the air shroud.](#)
5. [Remove the cooling fan cage assembly.](#)
6. [Remove the side wall bracket.](#)

Steps

1. Using the Phillips #1 screwdriver, remove the screws that secures the right control panel and cable cover to the system.
2. Remove the cable cover away the system.
3. Disconnect the right control panel cable and the VGA cable from the connectors on the system board.
4. Holding the cable, slide the right control panel out of the system.

NOTE: Observe the routing of the cable as you remove the right control panel from the system.

NOTE: The numbers on the image do not depict the exact steps. The numbers are for representation of sequence.

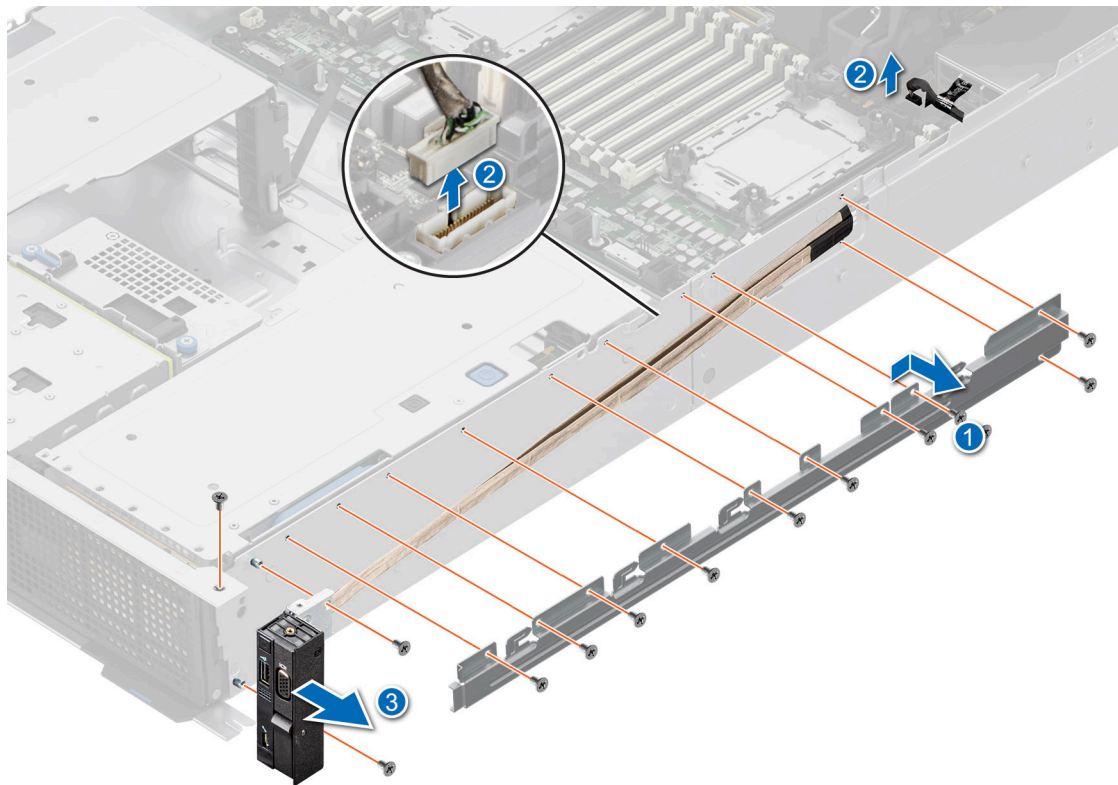


Figure 163. Removing the right control panel

Next steps

1. [Replace the right control panel.](#)

Installing the right control panel

Prerequisites

1. Follow the safety guidelines listed in the [Safety instructions](#).
2. Follow the procedure listed in the [Before working inside your system](#).
3. [Remove the drive backplane cover.](#)
4. If installed, [remove the air shroud.](#)
5. [Remove the cooling fan cage assembly.](#)
6. [Remove the side wall bracket.](#)

Steps

1. Align and slide the right control panel into the slot on the system.
2. Route the right control panel cable through the side wall of the system.
3. Align and slide the right control panel cable cover in the slot on the system.

NOTE: Route the cable properly to prevent the cable from being pinched or crimped.

4. Connect the right control panel cable and VGA cable to the connectors on the system board.
5. Using the Phillips #1 screwdriver, tighten the screws that secures the right control panel and the cable cover to the system.

NOTE: The numbers on the image do not depict the exact steps. The numbers are for representation of sequence.

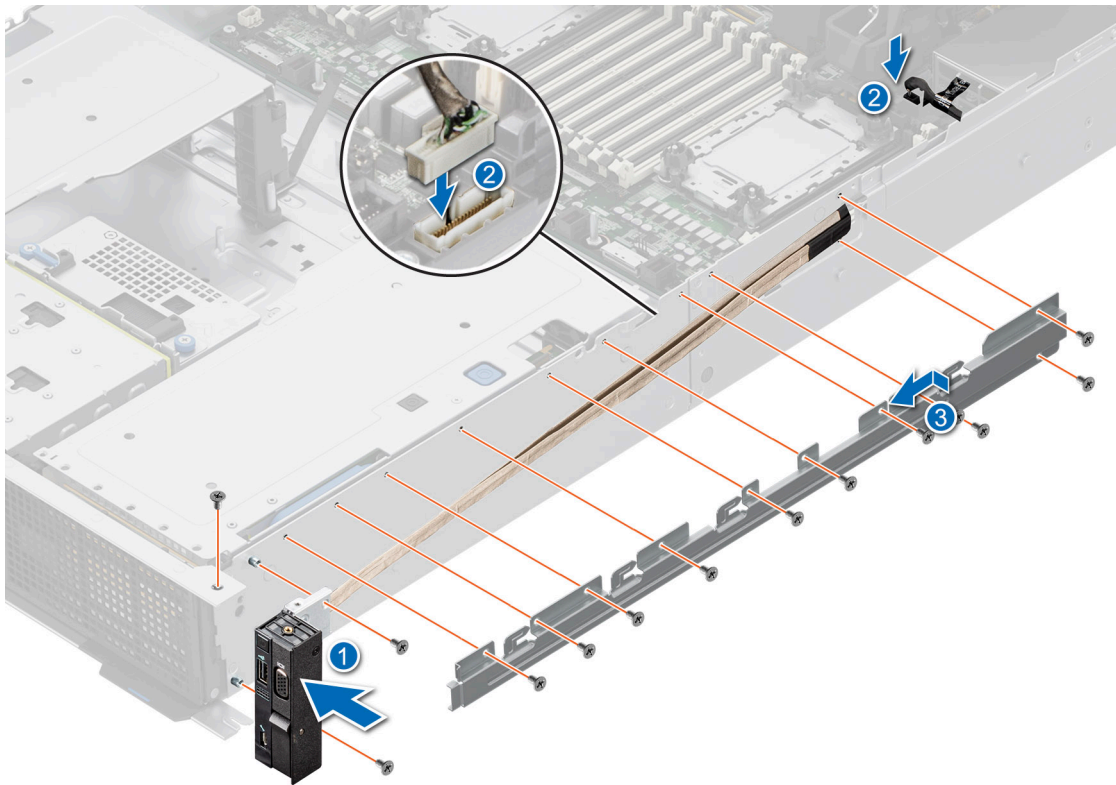


Figure 164. Installing the right control panel

Next steps

1. Install the side wall bracket.
2. Install the cooling fan cage assembly.
3. Install the drive backplane cover.
4. Install the air shroud.
5. Follow the procedure listed in [After working inside your system](#).

Removing the left control panel

Prerequisites

1. Follow the safety guidelines listed in the [Safety instructions](#).
2. Follow the procedure listed in the [Before working inside your system](#).
3. [Remove the drive backplane cover](#).
4. If installed, [remove the air shroud](#).
5. [Remove the cooling fan cage assembly](#).
6. [Remove the side wall bracket](#).

Steps

1. Using the Phillips #1 screwdriver, remove the screws that secures the left control panel and the cable cover to the system.
2. Remove the cable cover away the system.
3. Disconnect the control panel cable from the connector on the system board.
4. Holding the cable, slide the left control panel out of the system.

NOTE: Observe the routing of the cable as you remove the right control panel from the system.

NOTE: The numbers on the image do not depict the exact steps. The numbers are for representation of sequence.

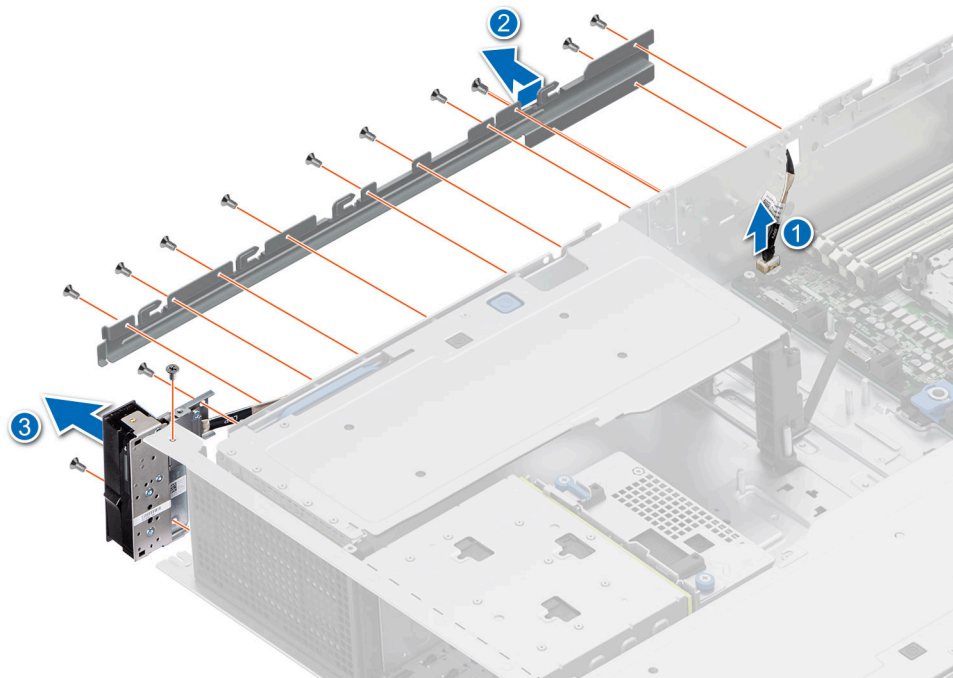


Figure 165. Removing the left control panel

Next steps

1. [Replace the left control panel.](#)

Installing the left control panel

Prerequisites

1. Follow the safety guidelines listed in the [Safety instructions](#).
2. Follow the procedure listed in the [Before working inside your system](#).
3. [Remove the drive backplane cover.](#)
4. If installed, [remove the air shroud.](#)
5. [Remove the cooling fan cage assembly.](#)
6. [Remove the side wall bracket.](#)

Steps

1. Align and slide the left control panel in the slot on the system.
2. Route the left control panel cable through the side wall of the system.
3. Align and slide the left control panel cable cover in the slot on the system.

NOTE: Route the cable properly to prevent the cable from being pinched or crimped.

4. Connect the left control panel cable to the connector on the system board.
5. Using the Phillips #1 screwdriver, tighten the screws to secure the left control panel and the cable cover to the system.

NOTE: The numbers on the image do not depict the exact steps. The numbers are for representation of sequence.

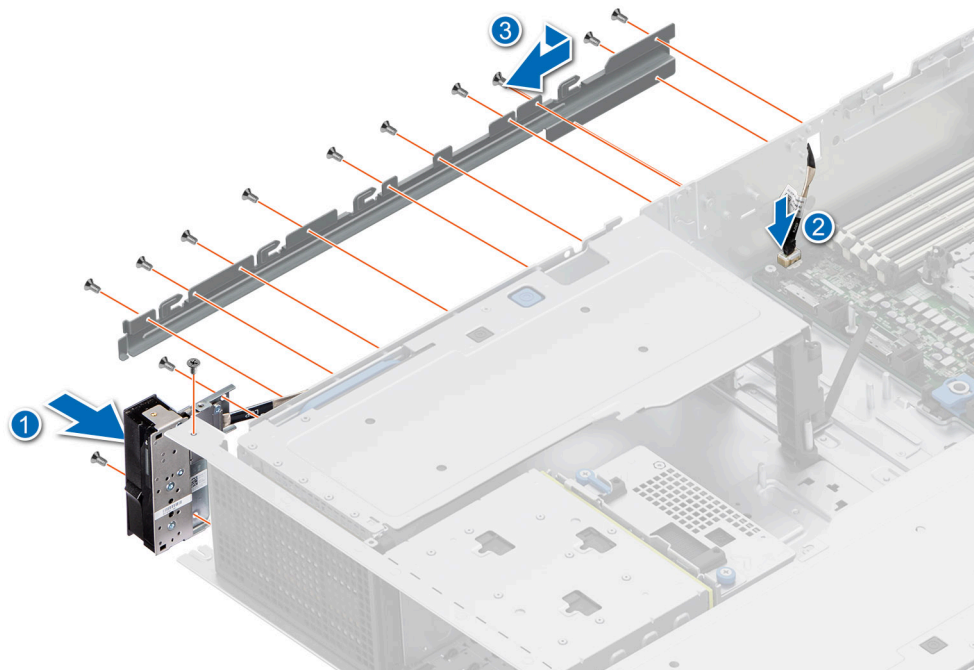


Figure 166. Installing the left control panel


Next steps

1. Install the side wall bracket.
2. Install the cooling fan cage assembly.
3. Install the drive backplane cover.
4. Install the air shroud.
5. Follow the procedure listed in [After working inside your system](#).

Upgrade Kits

The table lists the available After Point Of Sale [APOS] kits.

Table 80. Upgrade kits

| Kits | Related links to service instructions |
|---|--|
| Bezel | See : Installing the front bezel |
| M.2 NVMe SSD | See : Installing the M.2 SSD module |
| BOSS-N1 | See : Installing the BOSS-N1 module |
| GPU | See : GPU kit |
| Hard drives SSD | See : Installing the drive into the drive carrier |
| Memory | See : Installing a memory module |
| Network cards (Standard PCIe adapter LP/FH) | See : Installing the LOM card and rear I/O board |
| Network cards (OCP) | See : Installing the OCP card |
| PCIe SSD card | See : Installing the drive carrier |
| Power cords | Offered, but without special service instructions |
| Power supplies | See : Installing a power supply unit |
| Quick sync | Offered, but without special service instructions |
| TPM | See : Upgrading the Trusted Platform Module |
| Processor enablement thermal kits | See : Installing the processor |
| Internal USB 3.0 card | See : Installing the internal USB card |
| Serial COM port daughter card | See : Installing the serial COM port |
| Cables | Offered, but without special service instructions |
| Heat sink | See : Installing the processor and heat sink module |
| Risers | See : Installing the expansion card risers |
| Rail | Offered, but without special service instructions |
| CMA | Offered, but without special service instructions  NOTE: CMA is not supported in Direct Liquid Cooling configuration. |

Topics:

- [BOSS-N1 module kit](#)
- [GPU kit](#)
- [Internal USB card kit](#)
- [Serial COM port kit](#)
- [VGA port kit](#)

BOSS-N1 module kit

The BOSS-N1 module supports up to two M.2 SSDs.

Before you begin the installation or removal process, follow the [Safety Instructions](#) and [before working inside your system](#) instructions.

Table 81. BOSS-N1 module kit components

| Components in kit | R760xa (quantity) |
|---|-------------------|
| BOSS-N1 controller card module | 1 |
| BOSS-N1 card carrier | 1 or 2* |
| M.2 NVMe SSD | 1 or 2* |
| M.2 NVMe SSD capacity label | 1 or 2† |
| BOSS-N1 card carrier blank | 1 |
| M3 x 0.5 x 4.5 mm screws | 2 |
| BOSS-N1 power cable for Riser 1 (220 mm) | 1 |
| BOSS-N1 signal cable for Riser 1 (170 mm) | 1 |

NOTE: *The quantity depends on the purchase order.

NOTE: †The quantity depends on the BOSS-N1 card carrier

To remove the BOSS blank:

1. Power off the system and [remove the system cover](#).
2. Use a screwdriver to push out the blank from the BOSS-N1 module bay.

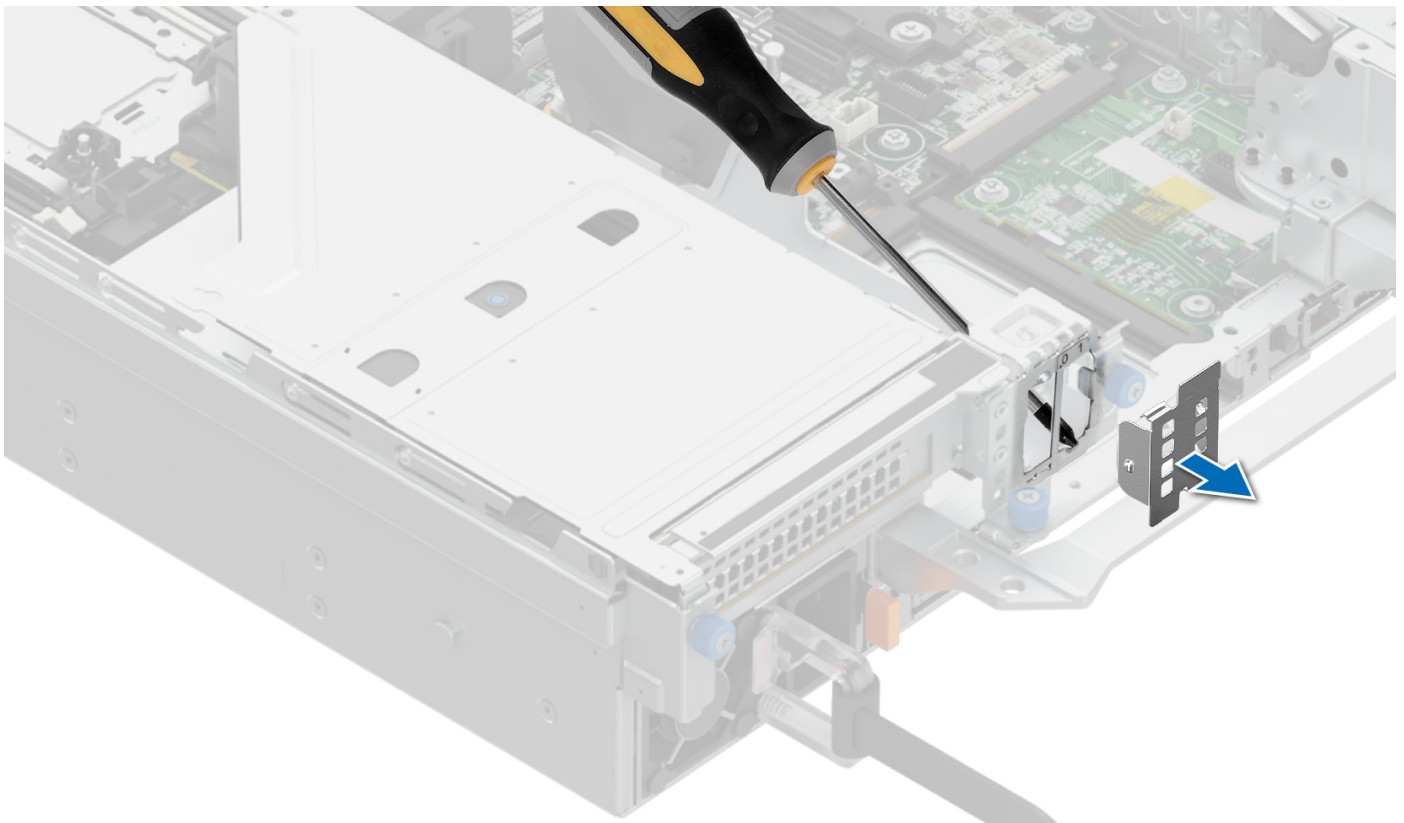


Figure 167. Removing the BOSS-N1 module blank

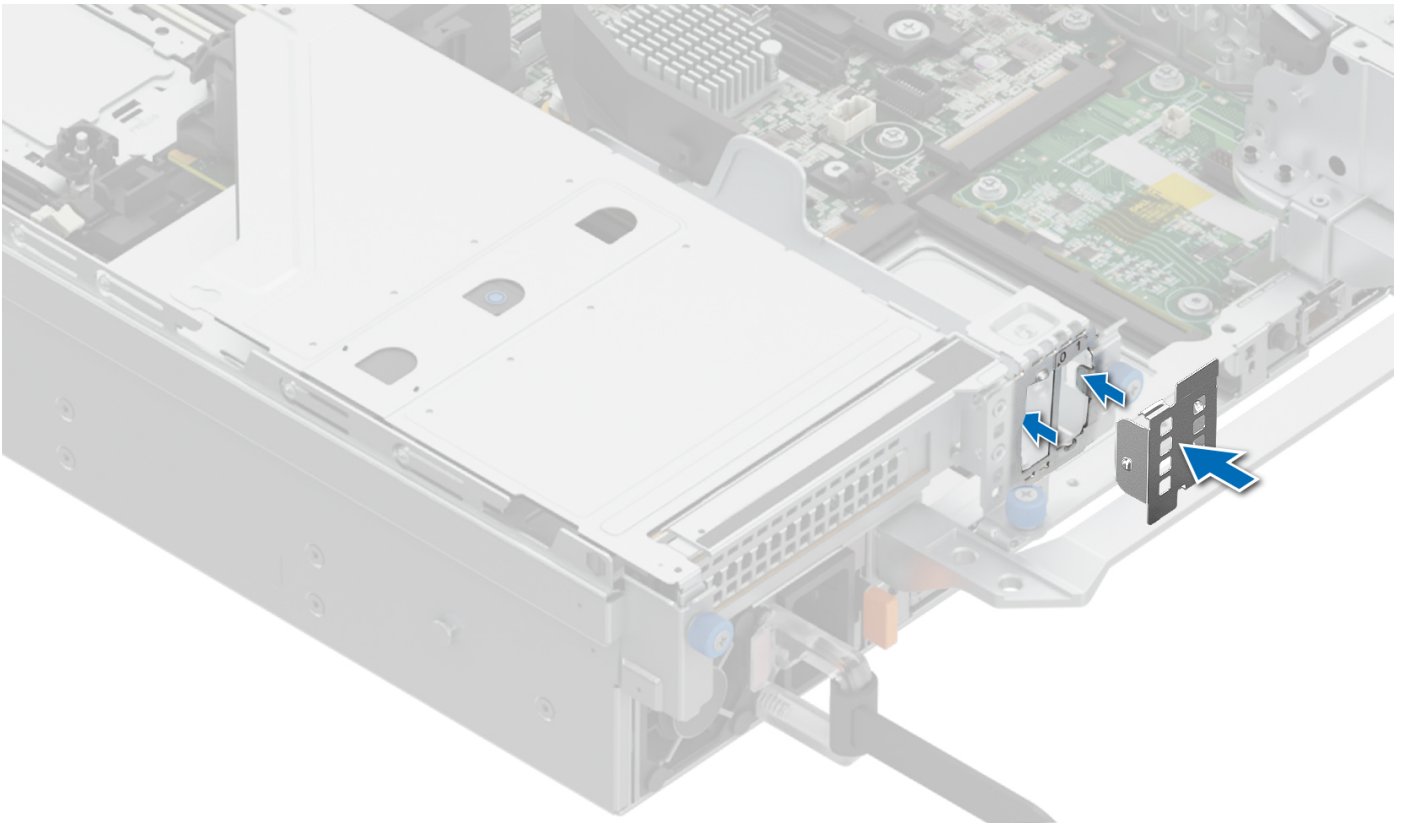


Figure 168. Installing the BOSS-N1 module blank

To install the BOSS-N1 module:

1. Install the BOSS-N1 module. To install the BOSS-N1 , see [installing the BOSS-N1 module](#) steps 1 to 5.
2. Install the M.2 SSD. To install the M.2 SSD, see [installing the BOSS-N1 module](#) steps 6 to 10.

i **NOTE:** Installing the BOSS-N1 card carrier does not require the system to be powered off. System shutdown is only required when installing the BOSS-N1 module.

To remove the BOSS-N1 module:

1. Power off the system and [remove the system cover](#).
2. Remove the M.2 SSD. To remove the M.2 SSD, see [removing the BOSS-N1 module](#) steps 1 to 4.
3. Remove the BOSS-N1 module. To remove the BOSS-N1 module, see [removing the BOSS-N1 module](#) steps 5 to 8.
4. Install the BOSS blank.

i **NOTE:** Removal of the BOSS-N1 card carrier does not require the system to be powered off. System shutdown is only required when removing the BOSS-N1 module.

i **NOTE:** Disconnect the BOSS signal cable and the BOSS power cable before lifting the controller card module from the system.

GPU kit

The GPU kits of different types are available for the customer. Depending on the kit ordered, the respective components will be available.

CAUTION: Do not install GPUs, network cards, or other PCIe devices on your system that are not validated and tested by Dell. Damage caused by unauthorized and invalidated hardware installation will null and void the system warranty.

WARNING: Consumer-Grade GPU should not be installed or used in the Enterprise Server products.

Table 82. Components in the full length (FL) GPU kit

| Components | GPU FL kit | |
|------------|----------------------------------|---|
| | Details | Quantity |
| Risers | Riser configuration (RC) 0 and 1 | RC 0: R1V (HL) + RF1A (FL)^ + R4T (HL) + RF2A^ (FL) RC 1: R1V (HL)+ R4T (HL) + RF1B (FL) + RF2B (FL) |
| Fans | STD fan | 6 |
| Cables | Power cable | 2 x 4 (8-position) or 2 x 6 + 1 x 4 (12-position + 4-sideband) |

FL - Full Length, HL - Half Length, HPR - High Performance, RC - Riser configuration

You may not need all the components in the kit for GPU installation. For information about riser configurations, see the [expansion card installation guidelines](#) section.

NOTE: ^ RF1A and RF2A support Double Width (DW) GPU.

Before you begin, follow the [Safety Instructions](#) and [before working inside your system](#) instructions.

- Use the existing heat sink, cooling fans and air shroud.
 - NOTE:** For more information about supported cooling fans matrix, see the thermal restriction section in [Technical specifications](#).
- If required, [install NVLink sponges](#) and [install NVLink bridges](#).
- [Install the GPU](#) into front GPU riser module or [Install the GPU](#) into expansion card riser.
 - NOTE:** Mixing of different GPUs are not allowed.
 - NOTE:** See [expansion card installation guidelines](#) to know about risers and slots that support GPU.
 - NOTE:** For information on riser slot location on the system board, see the [System board jumpers and connectors](#) topic.
- If applicable, connect the power cables to the GPU. To know the connectors for GPU on the system board, see the [System board jumpers and connectors](#) topic.
 - NOTE:** Refer to the GPU power cable matrix to know about the requirement of cable for the GPU.

Table 83. GPU power cable matrix

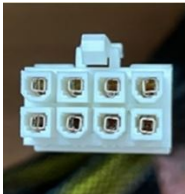

| Category | Description | Type | Vendor | Cable | Cable quantity |
|----------|----------------------------|-----------|--------|---|--------------------------|
| GPU | NVIDIA A16, A30, A40, A100 | FH and FL | NVIDIA | CPU type 2 x 4 (8-position)  | 2 each for RF1A and RF2A |

Table 83. GPU power cable matrix (continued)

| Category | Description | Type | Vendor | Cable | Cable quantity |
|--|---------------------|-----------|--------|--|--------------------------|
| GPU | NVIDIA H100 and L40 | FH and FL | NVIDIA | 12VH type 2 x 6 + 1 x 4 (12-position + 4-sideband)  | 2 each for RF1A and RF2A |
| HH - Half Height, HL - Half Length, FH - Full Height, FL - Full Length | | | | | |

5. [Install the GPU riser module](#) or [expansion card riser](#). See GPU kit components table for supported GPU risers.
6. [Install the air shroud](#).

After installing, follow the [after working inside the system](#) instructions.

Internal USB card kit

The internal USB card kit contains one internal USB card. For installation of internal USB card, see [installing the internal USB card](#) section.

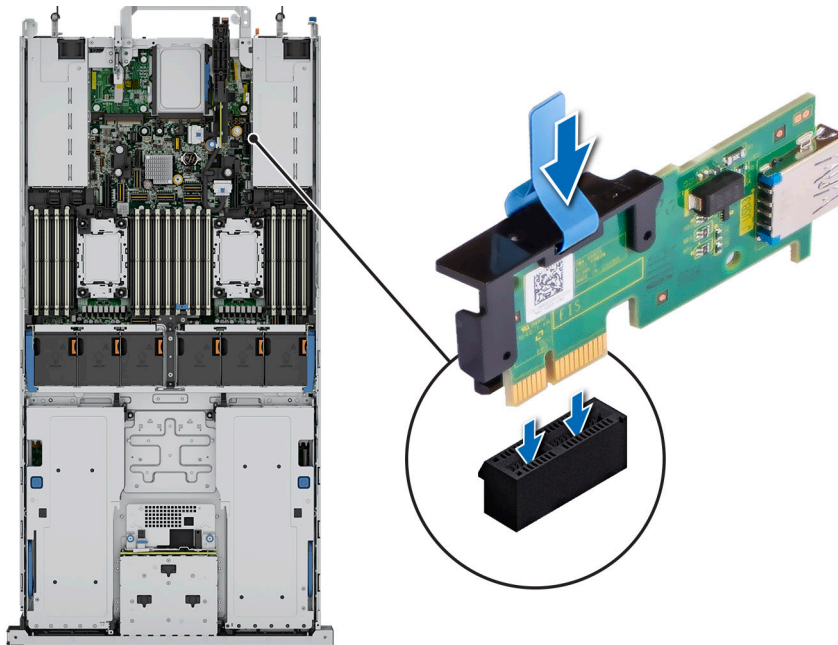


Figure 169. Internal USB card port information

Serial COM port kit

The serial COM port kit contains the components listed in the table.

Table 84. Serial COM port kit

| Components | Quantity |
|----------------------|----------|
| Serial COM port card | 1 |
| Cable | 1 |

For installation procedure of the serial COM port, see [Installing the serial COM port](#) in the serial COM port section.

VGA port kit

The VGA port kit contains the components listed in the table.

Table 85. VGA port kit

| Components | Quantity |
|---------------|----------|
| VGA port card | 1 |
| Cable | 1 |

For installation procedure of the VGA port, see [installing the VGA port](#) in the VGA port section.

Jumpers and connectors

This topic provides some basic and specific information about jumpers and switches. It also describes the connectors on the various boards in the system. Jumpers on the system board help to disable the system and reset the passwords. To install components and cables correctly, you must know the connectors on the system board.

Topics:

- [System board jumpers and connectors](#)
- [System board jumper settings](#)
- [Disabling a forgotten password](#)

System board jumpers and connectors

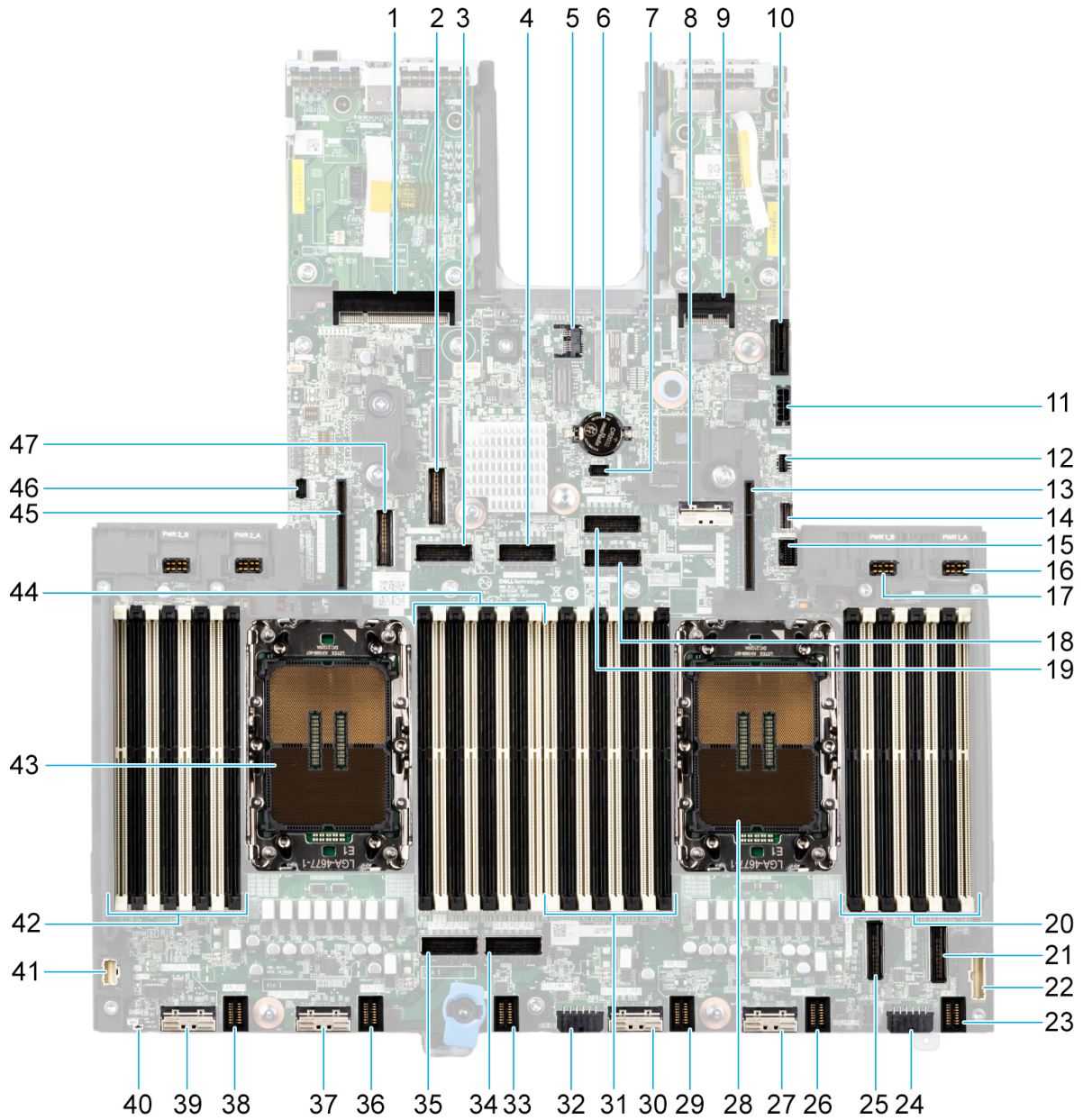


Figure 170. System board jumpers and connectors

Table 86. System board jumpers and connectors

| Item | Connector | Description |
|------|--------------------|--------------------|
| 1. | Rear_I/O_connector | Rear I/O connector |
| 2. | SL10_CPU2_PB5 | PCIe connector 10 |
| 3. | SL11_CPU2_PB6 | PCIe connector 11 |
| 4. | SL12_CPU2_PA6 | PCIe connector12 |
| 5. | TPM | TPM connector |
| 6. | BATTERY | Coin cell battery |

Table 86. System board jumpers and connectors (continued)

| Item | Connector | Description |
|-------------|------------------------------------|-------------------------------------|
| 7. | PSU 1 PUCK Sideband Signal | PSU 1 PUCK Sideband Signal |
| 8. | SL15_CPU1_PB8 | PCIe connector15 |
| 9. | LOM_Connector | LOM connector |
| 10. | Internal USB connector | Internal USB connector |
| 11. | PWR Connector 0 | Power Connector 0 |
| 12. | BOSS card power | BOSS card power |
| 13. | IO_RISER1 (CPU1) | Riser 1 |
| 14. | SL16_PCH_PA9 | PCIe connector 16 |
| 15. | FRONT_VIDEO | Front VGA |
| 16. | PWR1_A | For power cable |
| 17. | PWR1_B | For Riser 1 GPU power |
| 18. | SL13_CPU1_PB7 | PCIe connector13 |
| 19. | SL14_CPU1_PB7 | PCIe connector 14 |
| 20. | A9, A1, A15, A7, A11, A3, A13, A5 | DIMMs for CPU 1 channels A, B, C, D |
| 21. | SL8_CPU1_PA4 | PCIe connector 8 |
| 22. | RGT_CP | Right control panel connector |
| 23. | FAN_2U6 | Fan 6 connector |
| 24. | SIG_PWR_2 | Power connector 2 |
| 25. | SL7_CPU1_PB4 | PCIe connector 7 |
| 26. | FAN_2U5 | Fan 5 connector |
| 27. | SL4_CPU1_PB2 | PCIe connector 4 |
| 28. | CPU 1 | Processor 1 |
| 29. | FAN_2U4 | Fan 4 connector |
| 30. | SL3_CPU1_PA2 | PCIe connector 3 |
| 31. | A8, A16, A2, A10, A6, A14, A4, A12 | DIMMs for CPU 1 channels H, G, F, E |
| 32. | SIG_PWR_1 | Power connector 1 |
| 33. | FAN_2U3 | Fan 3 connector |
| 34. | SL6_CPU2_PA3 | PCIe connector 6 |
| 35. | SL5_CPU2_PB3 | PCIe connector 5 |
| 36. | FAN_2U2 | Fan 2 connector |
| 37. | SL2_CPU2_PB1 | PCIe connector 2 |
| 38. | FAN_2U1 | Fan 1 connector |
| 39. | SL1_CPU2_PA1 | PCIe connector 1 |
| 40. | PWRD_EN and NVRAM_CLR | Jumper |
| 41. | LFT_CP | Left control panel connector |
| 42. | B9, B1, B15, B7, B11, B3, B13, B5 | DIMM for CPU 2 channels A, B, C, D |
| 43. | CPU 2 | Processor 2 |

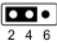
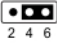
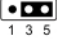

Table 86. System board jumpers and connectors (continued)

| Item | Connector | Description |
|------|------------------------------------|-------------------------------------|
| 44. | B8, B16, B2, B10, B6, B14, B4, B12 | DIMMs for CPU 2 channels H, G, F, E |
| 45. | IO_RISER4 (CPU2) | Riser 4 requires Processor 2 |
| 46. | PSU2_SIG | PUCK sideband signal |
| 47. | SL9_CPU2_PA5 | PCIe connector 9 |

System board jumper settings

For information about resetting the password jumper to disable a password, see the [Disabling a forgotten password](#) section.

Table 87. System board jumper settings

| Jumper | Setting | Description |
|-----------|---|---|
| PWRD_EN |  2 4 6 (default) | The BIOS password feature is enabled. |
| |  2 4 6 | The BIOS password feature is disabled. The BIOS password is now disabled and you are not allowed to set a new password. |
| NVRAM_CLR |  1 3 5 (default) | The BIOS configuration settings are retained at system boot. |
| |  1 3 5 | The BIOS configuration settings are cleared at system boot. |

CAUTION: You should be cautious when changing the BIOS settings. The BIOS interface is designed for advanced users. Any changes in the setting might prevent your system from starting correctly and may even result in data loss.

Disabling a forgotten password

The software security features of the system include a system password and a setup password. The password jumper enables or disables password features and clears any password(s) currently in use.

Prerequisites

CAUTION: Many repairs may only be done by a certified service technician. You should only perform troubleshooting and simple repairs as authorized in your product documentation, or as directed by the online or telephone service and support team. Damage due to servicing that is not authorized by Dell is not covered by your warranty. Read and follow the safety instructions that are shipped with your product.

Steps

- Power off the system and all attached peripherals. Disconnect the system from the electrical outlet, and disconnect the peripherals.
- [Remove the system cover.](#)
- Move the jumper on the system board from pins 2 and 4 to pins 4 and 6.
- [Replace the system cover.](#)
 - NOTE:** The existing passwords are not disabled (erased) until the system boots with the jumper on pins 4 and 6. However, before you assign a new system and/or setup password, you must move the jumper back to pins 2 and 4.
 - NOTE:** If you assign a new system and/or setup password with the jumper on pins 4 and 6, the system disables the new password(s) the next time it boots.
- Reconnect the peripherals and connect the system to the electrical outlet, and then power on the system.

6. Power off the system.
7. [Remove the system cover.](#)
8. Move the jumper on the system board from pins 4 and 6 to pins 2 and 4.
9. [Replace the system cover.](#)
10. Reconnect the peripherals and connect the system to the electrical outlet, and then power on the system.
11. Assign a new system and/or setup password.


System diagnostics and indicator codes

The diagnostic indicators on the system front panel display system status during system startup.

Topics:

- Status LED indicators
- System health and system ID indicator codes
- iDRAC Quick Sync 2 indicator codes
- iDRAC Direct LED indicator codes
- LCD panel
- NIC indicator codes
- Power supply unit indicator codes
- Drive indicator codes
- Using system diagnostics

Status LED indicators

 **NOTE:** The indicators display solid amber if any error occurs.

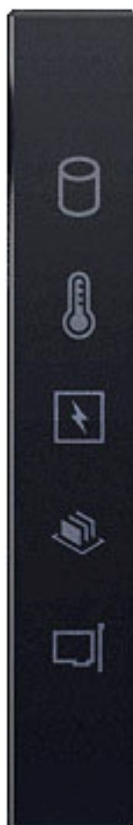







Figure 171. Status LED indicators

Table 88. Status LED indicators and descriptions

| Icon | Description | Condition | Corrective action |
|---|-----------------------|--|--|
|  | Drive indicator | The indicator turns solid amber if there is a drive error. | <ul style="list-style-type: none"> • Check the System Event Log to determine if the drive has an error. • Run the appropriate Online Diagnostics test. Restart the system and run embedded diagnostics (ePSA). • If the drives are configured in a RAID array, restart the system, and enter the host adapter configuration utility program. |
|  | Temperature indicator | The indicator turns solid amber if the system experiences a thermal error (for example, the ambient temperature is out of range or there is a fan failure). | <p>Ensure that none of the following conditions exist:</p> <ul style="list-style-type: none"> • A cooling fan has been removed or has failed. • System cover, air shrouds, or back filler bracket has been removed. • Ambient temperature is too high. • External airflow is obstructed. <p>If the problem persists, see the Getting help section.</p> |
|  | Electrical indicator | The indicator turns solid amber if the system experiences an electrical error (for example, voltage out of range, or a failed power supply unit (PSU) or voltage regulator). | <p>Check the System Event Log or system messages for the specific issue. If it is due to a problem with the PSU, check the LED on the PSU. Reseat the PSU.</p> <p>If the problem persists, see the Getting help section.</p> |
|  | Memory indicator | The indicator turns solid amber if a memory error occurs. | <p>Check the System Event Log or system messages for the location of the failed memory. Reseat the memory module.</p> <p>If the problem persists, see the Getting help section.</p> |
|  | PCIe indicator | The indicator turns solid amber if a PCIe card experiences an error. | <p>Restart the system. Update any required drivers for the PCIe card. Reinstall the card.</p> <p>If the problem persists, see the Getting help section.</p> <p>NOTE: For more information about the supported PCIe cards, see the Expansion cards and expansion card risers > Expansion card installation guidelines section.</p> |

System health and system ID indicator codes

The system health and system ID indicator is located on the left control panel of the system.



Figure 172. System health and system ID indicator

Table 89. System health and system ID indicator codes

| System health and system ID indicator code | Condition |
|--|---|
| Solid blue | Indicates that the system is powered on, is healthy, and system ID mode is not active. Press the system health and system ID button to switch to system ID mode. |
| Blinking blue | Indicates that the system ID mode is active. Press the system health and system ID button to switch to system health mode. |
| Solid amber | Indicates that the system is in fail-safe mode. If the problem persists, see the Getting help section. |
| Blinking amber | Indicates that the system is experiencing a fault. Check the System Event Log for specific error messages. For information about the event and error messages generated by the system firmware and agents that monitor system components, go to qrl.dell.com > Look Up > Error Code , type the error code, and then click Look it up . |

iDRAC Quick Sync 2 indicator codes

iDRAC Quick Sync 2 module (optional) is located on the left control panel front IO panel of the system.



Table 90. iDRAC Quick Sync 2 indicators and descriptions

| iDRAC Quick Sync 2 indicator code | Condition | Corrective action |
|---|---|---|
| Off (default state) | Indicates that the iDRAC Quick Sync 2 feature is powered off. Press the iDRAC Quick Sync 2 button to power on the iDRAC Quick Sync 2 feature. | If the LED fails to power on, reseal the left control panel flex cable and check. If the problem persists, see the Getting help section. |
| Solid white | Indicates that iDRAC Quick Sync 2 is ready to communicate. Press the iDRAC Quick Sync 2 button to power off. | If the LED fails to power off, restart the system. If the problem persists, see the Getting help section. |
| Blinks white rapidly | Indicates data transfer activity. | If the indicator continues to blink indefinitely, see the Getting help section. |
| Blinks white slowly | Indicates that firmware update is in progress. | If the indicator continues to blink indefinitely, see the Getting help section. |
| Blinks white five times rapidly and then powers off | Indicates that the iDRAC Quick Sync 2 feature is disabled. | Check if iDRAC Quick Sync 2 feature is configured to be disabled by iDRAC. If the problem persists, see the Getting help section. www.dell.com/poweredge manuals or <i>Dell OpenManage Server Administrator User's Guide</i> at https://www.dell.com/openmanagemanuals . |
| Solid amber | Indicates that the system is in fail-safe mode. | Restart the system. If the problem persists, see the Getting help section. |
| Blinking amber | Indicates that the iDRAC Quick Sync 2 hardware is not responding properly. | Restart the system. If the problem persists, see the Getting help section. |

iDRAC Direct LED indicator codes

The iDRAC Direct LED indicator lights up to indicate that the port is connected and is being used as a part of the iDRAC subsystem.

You can configure iDRAC Direct by using a USB to micro USB (type AB) cable, which you can connect to your laptop or tablet. Cable length should not exceed 3 feet (0.91 meters). Performance could be affected by cable quality. The following table describes iDRAC Direct activity when the iDRAC Direct port is active:

Table 91. iDRAC Direct LED indicator codes

| iDRAC Direct LED indicator code | Condition |
|---|--|
| Solid green for two seconds | Indicates that the laptop or tablet is connected. |
| Blinking green (on for two seconds and off for two seconds) | Indicates that the laptop or tablet connected is recognized. |
| LED Indicator off | Indicates that the laptop or tablet is unplugged. |

LCD panel

The LCD panel provides system information, status, and error messages to indicate if the system is functioning correctly or requires attention. The LCD panel is used to configure or view the iDRAC IP address of the system. For information about the event and error messages generated by the system firmware and agents that monitor system components, go to qrl.dell.com > **Look Up** > **Error Code**, type the error code, and then click **Look it up**.

The LCD panel is available only on the optional front bezel. The optional front bezel is hot pluggable.

The status and conditions of the LCD panel are outlined here:

- The LCD backlight is white during normal operating conditions.
 - If there is an issue, the LCD backlight turns amber and displays an error code followed by descriptive text.
 - NOTE:** If the system is connected to a power source and an error is detected, the LCD turns amber regardless of whether the system is powered on or off.
 - When the system powers off and there are no errors, the LCD enters the standby mode after five minutes of inactivity. Press any button on the LCD to power it on.
 - If the LCD panel stops responding, remove the bezel and reinstall it.
- If the problem persists, see [Getting help](#).
- The LCD backlight remains off if LCD messaging is powered off using the iDRAC utility, the LCD panel, or other tools.

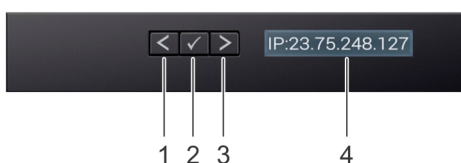


Figure 173. LCD panel features




Table 92. LCD panel features

| Item | Button or display | Description |
|------|-------------------|---|
| 1 | Left | Moves the cursor back in one-step increments. |
| 2 | Select | Selects the menu item highlighted by the cursor. |
| 3 | Right | Moves the cursor forward in one-step increments. During message scrolling: <ul style="list-style-type: none"> • Press and hold the right button to increase scrolling speed. • Release the button to stop. NOTE: The display stops scrolling when the button is released. After 45 seconds of inactivity, the display starts scrolling. |
| 4 | LCD display | Displays the system information, status, and error messages or iDRAC IP address. |

Viewing Home screen

The **Home** screen displays user-configurable information about the system. This screen is displayed during normal system operation when there are no status messages or errors. When the system turns off and there are no errors, LCD enters the standby mode after five minutes of inactivity. Press any button on the LCD to turn it on.

Steps

1. To view the **Home** screen, press one of the three navigation buttons (Select, Left, or Right).
2. To navigate to the **Home** screen from another menu, complete the following steps:
 - a. Press and hold the navigation button till the up arrow  is displayed.
 - b. Navigate to the **Home** icon  using the up arrow .

- c. Select the **Home** icon.
- d. On the **Home** screen, press the **Select** button to enter the main menu.

Setup menu


 **NOTE:** When you select an option in the Setup menu, you must confirm the option before proceeding to the next action.

Table 93. Setup menu

| Option | Description |
|-----------|---|
| iDRAC | Select DHCP or Static IP to configure the network mode. If Static IP is selected, the available fields are IP , Subnet (Sub) , and Gateway (Gtw) . Select Setup DNS to enable DNS and to view domain addresses. Two separate DNS entries are available. |
| Set error | Select SEL to view LCD error messages in a format that matches the IPMI description in the SEL. This enables you to match an LCD message with an SEL entry. Select Simple to view LCD error messages in a simplified user-friendly description. For information about the event and error messages generated by the system firmware and agents that monitor system components, go to qrl.dell.com > Look Up > Error Code , type the error code, and then click Look it up .. |
| Set home | Select the default information to be displayed on the Home screen. See View Home menu section for the options and option items that can be set as the default on the Home screen. |

View menu


 **NOTE:** When you select an option in the View menu, you must confirm the option before proceeding to the next action.

Table 94. View menu

| Option | Description |
|-------------|--|
| iDRAC IP | Displays the IPv4 or IPv6 addresses for iDRAC9. Addresses include DNS (Primary and Secondary) , Gateway, IP , and Subnet (IPv6 does not have Subnet). |
| MAC | Displays the MAC addresses for iDRAC , iSCSI , or Network devices. |
| Name | Displays the name of the Host , Model , or User String for the system. |
| Number | Displays the Asset tag or the Service tag for the system. |
| Power | Displays the power output of the system in BTU/hr or Watts. The display format can be configured in the Set home submenu of the Setup menu. |
| Temperature | Displays the temperature of the system in Celsius or Fahrenheit. The display format can be configured in the Set home submenu of the Setup menu. |

NIC indicator codes

Each NIC on the back of the system has indicators that provide information about the activity and link status. The activity LED indicator indicates if data is flowing through the NIC, and the link LED indicator indicates the speed of the connected network.

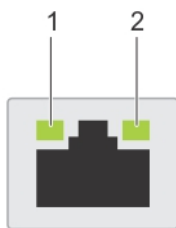


Figure 174. NIC indicator codes

1. Link LED indicator
2. Activity LED indicator

Table 95. NIC indicator codes

| NIC indicator codes | Condition |
|--|---|
| Link and activity indicators are off. | Indicates that the NIC is not connected to the network. |
| Link indicator is green, and activity indicator is blinking green. | Indicates that the NIC is connected to a valid network at its maximum port speed, and data is being sent or received. |
| Link indicator is amber, and activity indicator is blinking green. | Indicates that the NIC is connected to a valid network at less than its maximum port speed, and data is being sent or received. |
| Link indicator is green, and activity indicator is off. | Indicates that the NIC is connected to a valid network at its maximum port speed, and data is not being sent or received. |
| Link indicator is amber, and activity indicator is off. | Indicates that the NIC is connected to a valid network at less than its maximum port speed, and data is not being sent or received. |
| Link indicator is blinking green, and activity is off. | Indicates that the NIC identity is enabled through the NIC configuration utility. |

Power supply unit indicator codes

AC and DC power supply units (PSUs) have an illuminated translucent handle that serves as an indicator. The indicator shows if power is present or if a power fault has occurred.

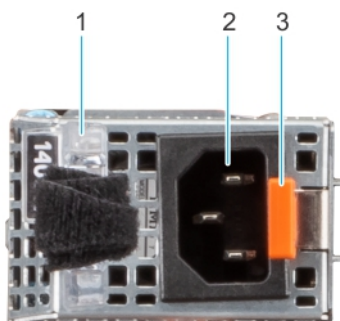


Figure 175. PSU status indicator

1. PSU handle
2. Socket
3. Release latch

Table 96. AC and DC PSU status indicator codes

| Power indicator codes | Condition |
|-------------------------------|--|
| Green | Indicates that a valid power source is connected to the PSU and the PSU is operational. |
| Blinking amber | Indicates an issue with the PSU. |
| Not powered on | Indicates that the power is not connected to the PSU. |
| Blinking green | <p>Indicates that the firmware of the PSU is being updated.</p> <p>⚠ CAUTION: Do not disconnect the power cord or unplug the PSU when updating firmware. If firmware update is interrupted, the PSUs will not function.</p> |
| Blinking green and powers off | <p>When hot-plugging a PSU, it blinks green five times at a rate of 4 Hz and powers off. This indicates a PSU mismatch due to efficiency, feature set, health status, or supported voltage.</p> <p>⚠ CAUTION: If two PSUs are installed, both the PSUs must have the same type of label; for example, Extended Power Performance (EPP) label. Mixing PSUs from previous generations of PowerEdge servers is not supported, even if the PSUs have the same power rating. This results in a PSU mismatch condition or failure to power on the system.</p> <p>⚠ CAUTION: If two PSUs are used, they must be of the same type and have the same maximum output power.</p> <p>⚠ CAUTION: When correcting a PSU mismatch, replace the PSU with the blinking indicator. Swapping the PSU to make a matched pair can result in an error condition and an unexpected system shutdown. To change from a high output configuration to a low output configuration or vice versa, you must power off the system.</p> <p>⚠ CAUTION: AC PSUs support both 240 V and 120 V input voltages with the exception of Titanium PSUs, which support only 240 V. When two identical PSUs receive different input voltages, they can output different wattages, and trigger a mismatch.</p> |

Drive indicator codes

The LEDs on the drive carrier indicate the state of each drive. Each drive carrier has two LEDs: an activity LED (green) and a status LED (bicolor, green/amber). The activity LED blinks whenever the drive is accessed.



Figure 176. Drive indicators

1. Drive activity LED indicator
2. Drive status LED indicator
3. Drive capacity label

NOTE: If the drive is in the Advanced Host Controller Interface (AHCI) mode, the status LED indicator does not power on.

NOTE: Drive status indicator behavior is managed by Storage Spaces Direct. Not all drive status indicators may be used.

Table 97. Drive indicator codes

| Drive status indicator code | Condition |
|--|---|
| Blinks green twice per second | Indicates that the drive is being identified or preparing for removal. |
| Not powered on | Indicates that the drive is ready for removal. NOTE: The drive status indicator remains off until all drives are initialized after the system is powered on. Drives are not ready for removal during this time. |
| Blinks green, amber, and then powers off | Indicates that there is an unexpected drive failure. |
| Blinks amber four times per second | Indicates that the drive has failed. |
| Blinks green slowly | Indicates that the drive is rebuilding. |

Table 97. Drive indicator codes (continued)

| Drive status indicator code | Condition |
|--|---|
| Solid green | Indicates that the drive is online. |
| Blinks green for three seconds, amber for three seconds, and then powers off after six seconds | Indicates that the rebuild has stopped. |

Using system diagnostics

If you experience an issue with the system, run the system diagnostics before contacting Dell for technical assistance. The purpose of running system diagnostics is to test the system hardware without using additional equipment or risking data loss. If you are unable to fix the issue yourself, service and support personnel can use the diagnostics results to help you solve the issue.

Dell Embedded System Diagnostics

NOTE: The Dell Embedded System Diagnostics is also known as Enhanced Pre-boot System Assessment (ePSA) diagnostics.

The Embedded System Diagnostics provide a set of options for particular device groups or devices allowing you to:

- Run tests automatically or in an interactive mode
- Repeat tests
- Display or save test results
- Run thorough tests to introduce additional test options to provide extra information about the failed device(s)
- View status messages that inform you if tests are completed successfully
- View error messages that inform you of issues encountered during testing

Running the Embedded System Diagnostics from Boot Manager

Run the Embedded System Diagnostics (ePSA) if your system does not boot.

Steps

1. When the system is booting, press F11.
2. Use the up arrow and down arrow keys to select **System Utilities > Launch Diagnostics**.
3. Alternatively, when the system is booting, press F10, select **Hardware Diagnostics > Run Hardware Diagnostics**. The **ePSA Pre-boot System Assessment** window is displayed, listing all devices detected in the system. The diagnostics starts executing the tests on all the detected devices.

Running the Embedded System Diagnostics from the Dell Lifecycle Controller

Steps

1. When the system is booting, press F10.
2. Select **Hardware Diagnostics → Run Hardware Diagnostics**. The **ePSA Pre-boot System Assessment** window is displayed, listing all devices detected in the system. The diagnostics start executing the tests on all the detected devices.

System diagnostic controls

Table 98. System diagnostic controls

| Menu | Description |
|----------------------|---|
| Configuration | Displays the configuration and status information of all detected devices. |
| Results | Displays the results of all tests that are run. |
| System health | Provides the current overview of the system performance. |
| Event log | Displays a time-stamped log of the results of all tests run on the system. This is displayed if at least one event description is recorded. |

Getting help

Topics:

- [Recycling or End-of-Life service information](#)
- [Contacting Dell Technologies](#)
- [Accessing system information by using QRL](#)
- [Receiving automated support with Secure Connect Gateway \(SCG\)](#)

Recycling or End-of-Life service information

Take back and recycling services are offered for this product in certain countries. If you want to dispose of system components, visit www.dell.com/recyclingworldwide and select the relevant country.

Contacting Dell Technologies

Dell provides online and telephone based support and service options. If you do not have an active internet connection, you can find Dell contact information on your purchase invoice, packing slip, bill or Dell product catalog. The availability of services varies depending on the country and product, and some services may not be available in your area. To contact Dell for sales, technical assistance, or customer service issues follow these steps:

Steps

1. Go to www.dell.com/support/home.
2. Select your country from the drop-down menu on the lower right corner of the page.
3. For customized support:
 - a. Enter the system Service Tag in the **Enter a Service Tag, Serial Number, Service Request, Model, or Keyword** field.
 - b. Click **Search**.
The support page that lists the various support categories is displayed.
4. For general support:
 - a. Select your product category.
 - b. Select your product segment.
 - c. Select your product.
The support page that lists the various support categories is displayed.
5. For contact details of Dell Global Technical Support:
 - a. Click [Contact Technical Support](#).
 - b. The **Contact Technical Support** page is displayed with details to call, chat, or e-mail the Dell Global Technical Support team.

Accessing system information by using QRL

You can use the Quick Resource Locator (QRL) located on the information tag in the front of the R760xa system, to access information about PowerEdge R760xa. There is also another QRL for accessing product information located on the back of the system cover.

Prerequisites

Ensure that your smartphone or tablet has a QR code scanner installed.

The QRL includes the following information about your system:

- How-to videos
- Reference materials, including the Installation and Service Manual, and mechanical overview
- The system service tag to quickly access the specific hardware configuration and warranty information
- A direct link to Dell to contact technical assistance and sales teams

Steps

1. Go to www.dell.com/qrl, and navigate to your specific product or
2. Use your smart phone or tablet to scan the model-specific Quick Resource (QR) code on your system or in the Quick Resource Locator section.

Quick Resource Locator for PowerEdge R760xa system



Figure 177. Quick Resource Locator for PowerEdge R760xa system

Receiving automated support with Secure Connect Gateway (SCG)

Dell Secure Connect Gateway (SCG) is an optional Dell Services offering that automates technical support for your Dell server, storage, and networking devices. By installing and setting up a Secure Connect Gateway (SCG) application in your IT environment, you can receive the following benefits:

- Automated issue detection — Secure Connect Gateway (SCG) monitors your Dell devices and automatically detects hardware issues, both proactively and predictively.
- Automated case creation — When an issue is detected, Secure Connect Gateway (SCG) automatically opens a support case with Dell Technical Support.
- Automated diagnostic collection — Secure Connect Gateway (SCG) automatically collects system state information from your devices and uploads it securely to Dell. This information is used by Dell Technical Support to troubleshoot the issue.
- Proactive contact — A Dell Technical Support agent contacts you about the support case and helps you resolve the issue.

The available benefits vary depending on the Dell Service entitlement purchased for your device. For more information about Secure Connect Gateway (SCG), go to www.dell.com/secureconnectgateway.

Documentation resources

This section provides information about the documentation resources for your system.

To view the document that is listed in the documentation resources table:


- From the Dell support site:
 1. Click the documentation link that is provided in the Location column in the table.
 2. Click the required product or product version.
-  **NOTE:** To locate the model number, see the front of your system.
- 3. On the Product Support page, click **Documentation**.
- Using search engines:
 - Type the name and version of the document in the search box.

Table 99. Additional documentation resources for your system

| Task | Document | Location |
|-------------------------|--|--|
| Setting up your system | <p>For more information about installing and securing the system into a rack, see the Rail Installation Guide included with your rail solution.</p> <p>For information about setting up your system, see the <i>Getting Started Guide</i> document that is shipped with your system.</p> | www.dell.com/poweredgemanuals |
| Configuring your system | <p>For information about the iDRAC features, configuring and logging in to iDRAC, and managing your system remotely, see the Integrated Dell Remote Access Controller User's Guide.</p> <p>For information about understanding Remote Access Controller Admin (RACADM) subcommands and supported RACADM interfaces, see the RACADM CLI Guide for iDRAC.</p> <p>For information about Redfish and its protocol, supported schema, and Redfish Eventing implemented in iDRAC, see the Redfish API Guide.</p> <p>For information about iDRAC property database group and object descriptions, see the Attribute Registry Guide.</p> <p>For information about Intel QuickAssist Technology, see the Integrated Dell Remote Access Controller User's Guide.</p> | www.dell.com/poweredgemanuals |
| | <p>For information about earlier versions of the iDRAC documents.</p> <p>To identify the version of iDRAC available on your system, on the iDRAC web interface, click ? > About.</p> | www.dell.com/idracmanuals |

Table 99. Additional documentation resources for your system (continued)

| Task | Document | Location |
|--|--|--|
| | For information about installing the operating system, see the operating system documentation. | www.dell.com/operatingsystemmanuals |
| | For information about updating drivers and firmware, see the Methods to download firmware and drivers section in this document. | www.dell.com/support/drivers |
| Managing your system | For information about systems management software offered by Dell, see the Dell OpenManage Systems Management Overview Guide. | www.dell.com/poweredgemanuals |
| | For information about setting up, using, and troubleshooting OpenManage, see the Dell OpenManage Server Administrator User's Guide. | www.dell.com/openmanagemanuals > OpenManage Server Administrator |
| | For information about installing and using Dell Secure Connect Gateway, see the Dell Secure Connect Gateway Enterprise User's Guide. | https://www.dell.com/serviceabilitytools |
| | For information about partner programs enterprise systems management, see the OpenManage Connections Enterprise Systems Management documents. | www.dell.com/openmanagemanuals |
| Working with the Dell PowerEdge RAID controllers | For information about understanding the features of the Dell PowerEdge RAID controllers (PERC), Software RAID controllers, or BOSS card and deploying the cards, see the Storage controller documentation. | www.dell.com/storagecontrollermanuals |
| Understanding event and error messages | For information about the event and error messages generated by the system firmware and agents that monitor system components, go to qrl.dell.com > Look Up > Error Code , type the error code, and then click Look it up . | www.dell.com/qrl |
| Troubleshooting your system | For information about identifying and troubleshooting the PowerEdge server issues, see the Server Troubleshooting Guide. | www.dell.com/poweredgemanuals |