



# Specification Information

**Product Code:** 159

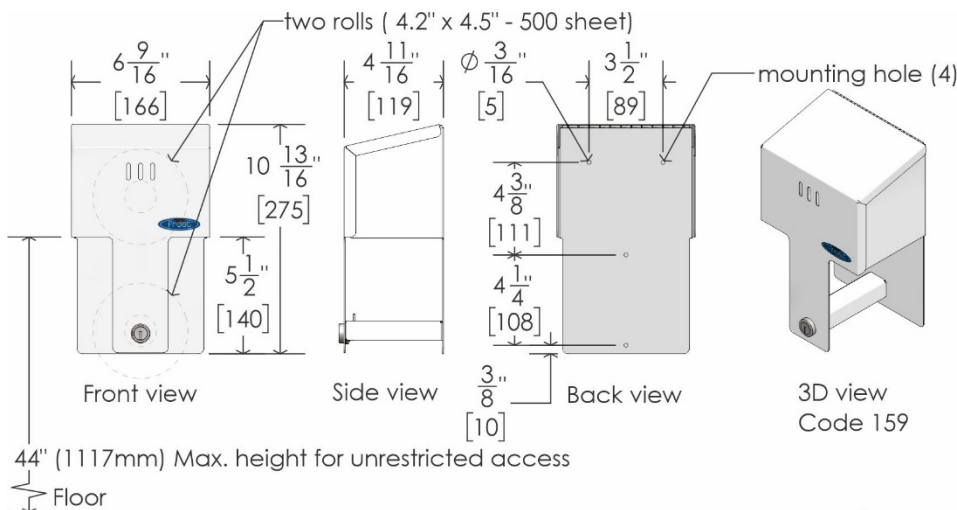
**Product Name:** Roll Toilet Tissue Dispenser

**Individual Carton UPC:** 624622159009

**Individual Carton Shipping Dimensions:** 27.9cm H x 17.8cm W x 14.0cm D (11" H x 7" W x 5½" D)

**Individual Carton Shipping Weight:** 1.6 kg (3.5 lbs)

**Site Location:** Frost's 159 roll toilet tissue dispenser is ideal for areas requiring a heavy duty economical product. Typically, the dispenser is used in schools/universities, restaurants, malls, office buildings, condominiums, fitness facilities, and recreation centres. This product was engineered to be easy to use and maintain. Additionally, the sleek design and durable construction make this dispenser a popular choice.



## Features:

- Straightforward design makes this product user friendly and also reduces the risk of product malfunction
- Non-proprietary dispenser which can lead to cost savings for end users and property managers
- Front loading for easy service and maintenance
- Semi-concealed top promotes the use of one roll at a time
- Comes with keyed tumbler lock to prevent pilferage and vandalism

**Dispensing:** This product dispenses toilet paper manually. The dispenser is also universal; meaning, the unit is non-proprietary and dispenses paper from standard commercial paper producers. This allows the end user to avoid getting locked into paper supply contracts and should save them money on their janitorial supplies. To load this product, unlock and lift the front cover. Place a standard toilet paper roll on the exposed steel bar. Replace the lid and lock.

## Capacity:

- Frost code 159 is designed to dispense all standard toilet tissue rolls including 10.7cm x 11.4cm (4" x 4½"), 500 sheet rolls
- Capacity of two rolls per unit

## Materials:

- Front: 18 gauge cold rolled steel
- Back: 20 gauge cold rolled steel

Frost Products Ltd

5276 John Lucas Drive  
Burlington, ON, Canada, L7L5Z9

(905) 332-5700  
1-800 667-5094

info@frostproductsltd.com  
www.frostproductsltd.com



## Specification Information

- The unit has a white epoxy powder coated finish

### Product Dimensions:

- 27.4cm H x 16.8cm W x 11.9cm D (10.8" H x 6.6" W x 4.7" D)

### Product Weight:

- 1.4 kg (3 lbs)

**Installation Guidelines:** For unrestricted access, bottom of the unit to floor must be between 38.1cm to 121.9cm (15" to 48"). This dispenser comes with three standard combination style screws and one key. Mark mounting holes against the mounting surface using a pencil and level. Use a screwdriver or power drill to drill screws in the desired mounting surface and attach the dispenser. Please note that it is recommended that all installations be conducted by a qualified tradesperson. Please read and follow any additional installation guidelines provided with the products

**Maintenance:** Normal preventative maintenance and cleaning will keep Frost products functioning properly and may extend normal product life. Products should be wiped down with a damp soft cloth periodically. Approved stainless steel cleaner may be used to clean scuffs or fingerprints on stainless surfaces. Do not use harsh detergents or chemical cleaners. For general dirt and blemishes on painted steel or plastic use warm water and mild soap, or a general mild cleaning solution. When using any type of cleaning solution, spray onto a discrete area to test before full usage. After the cleaning agent is applied, wipe off with a clean soft cloth or sponge.

**Warranty:** If any product or part proves to be defective within 12 months from date of shipment from the factory it will be repaired or replaced without any charge including freight costs when authorized. Costs resulting from the installation or removal of defective products are not covered under this warranty. Discolouration to stainless steel parts resulting from exposure to harsh environmental and / or chemicals are not considered to be defects in workmanship or material and are not covered under warranty.