



# Specification Information

**Product Code:** 170

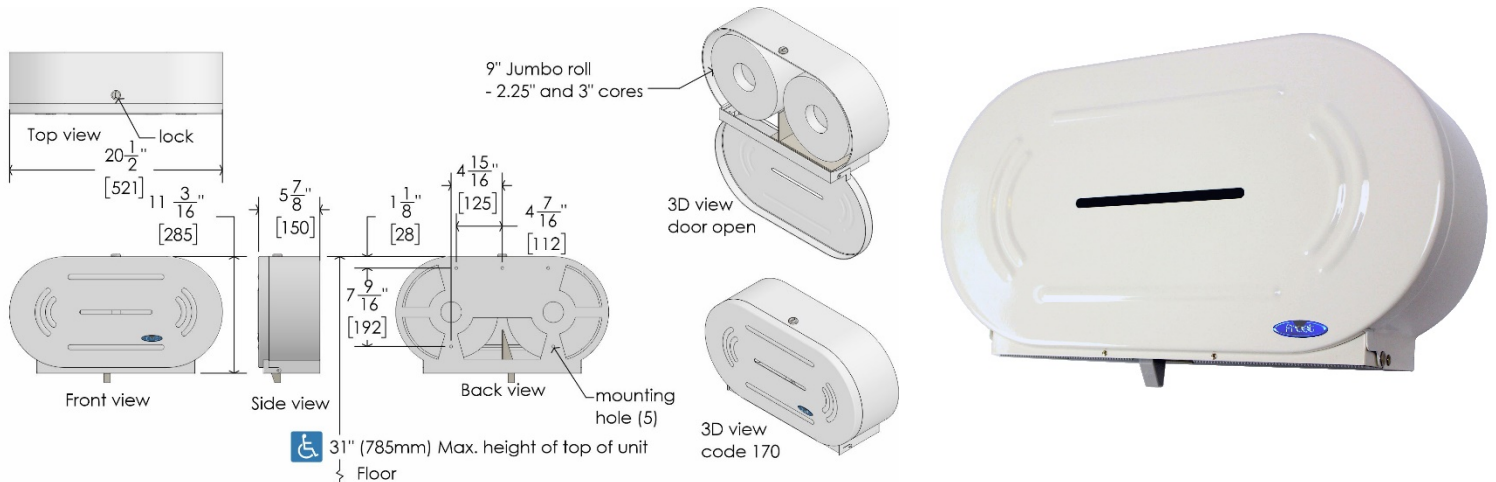
**Product Name:** Universal Jumbo Double Toilet Tissue Dispenser

**Individual Carton UPC:** 624622170004

**Individual Carton Shipping Dimensions:** 33.0cm H x 53.3cm W x 16.5cm D (13" H x 21" W x 6 1/2" D)

**Individual Carton Shipping Weight:** 4.3 kg (9.5 lbs)

**Site Location:** Frost's 170 universal jumbo double toilet tissue dispenser offers a durable and practical solution for high volume areas. Typically, the dispenser is used in schools/universities, restaurants, malls, office buildings, condominiums, fitness facilities, and recreation centres. The product's ease of use and high capacity make it a popular choice in high volume locations.



## Features:

- Spring loaded access tray locks into position only allowing access to one roll at a time
- Non-proprietary dispenser which can lead to cost savings for end users and property managers
- Easily accessible front loading
- Comes standard with keyed tumbler lock to reduce pilferage
- Durable 18 gauge steel front door

**Dispensing:** This product dispenses toilet paper manually through the bottom of the unit. The dispenser is also universal; meaning, the unit is non-proprietary and dispenses paper from standard commercial paper producers. This allows the end user to avoid getting locked into paper supply contracts and should save them money on their janitorial supplies. To load this product, unlock and swing down the front cover. Place one or two jumbo toilet paper rolls on the exposed plastic holders. When the door is open the access tray will return to the original left side position. Pull the lid back up and lock.

## Capacity:

- This dispenser accepts two jumbo toilet tissue rolls with a maximum diameter of 22.9cm (9") and a spindle diameter of 5.7cm (2 1/4") to 7.6cm (3").

## Materials:

- Front: Drawn 18 gauge steel with white epoxy finish
- Back: High density plastic

Frost Products Ltd

5276 John Lucas Drive  
Burlington, ON, Canada, L7L5Z9

(905) 332-5700  
1-800 667-5094

info@frostproductsltd.com  
www.frostproductsltd.com



# *Specification Information*

**Product Dimensions:**

- 28.5cm H x 52.0cm W x 15.0cm D (11.2" H x 20.5" W x 5.9" D)

**Product Weight:**

- 3.9 kg (8.5 lbs)

**Installation Guidelines:** For unrestricted access, bottom of the unit to floor must be between 38.1cm to 121.9cm (15" to 48"). This dispenser comes with four standard combination style screws. Mark mounting holes against the mounting surface using a pencil and level. Use a screwdriver or power drill to drill screws in the desired mounting surface and attach the dispenser. Please note that it is recommended that all installations be conducted by a qualified tradesperson. Please read and follow any additional installation guidelines provided with the products.