

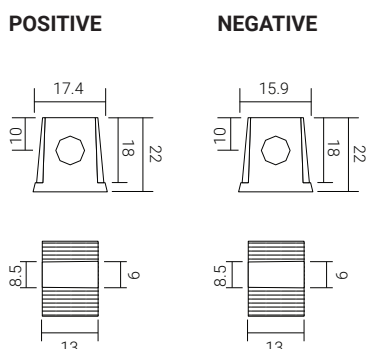


PDC-12800 12V 80.0 AH @ 20-hr. 12V 75.0 AH @ 10-hr.

Rechargeable Sealed Lead Acid Battery
PDC – Deep Cycle AGM Series

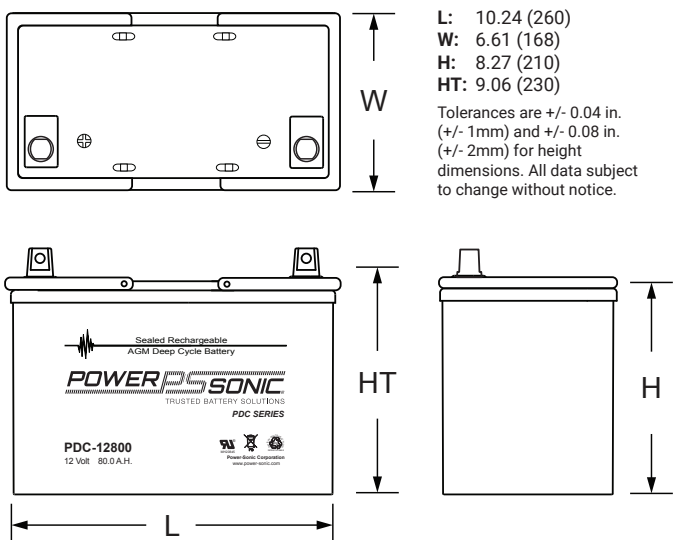
TERMINALS (mm)

U: Universal terminals:
Heavy-duty posts with
'nut & bolt' fasteners



Torque: 11.0~14.7 Nxm

DIMENSIONS inch (mm)



SEALED PERFORMANCE BATTERIES

SPB National Head Office

1 Ant Rd, Yatala
Brisbane, QLD, 4207
Australia
T: +61 1300 001 772
E: info@spb.net.au
W: spb.net.au

SEALED PERFORMANCE BATTERIES

SPB Sydney Office
2/28 Prime Drive
Seven Hills, NSW, 2147 Australia
SPB Melbourne Office
3/35 Dunop Rd
Mulgrave, VIC, 3170, Australia

FEATURES

- AGM (absorbent glass mat) technology for superior performance
- Valve regulated, maintenance free spill proof construction
- Specialized paste formulation for true longer life deep cycle performance
- Special additives in the paste ensure excellent performance in deep discharge situations
- Power/volume ratio yielding unrivaled energy density
- Rugged vibration and impact resistant ABS case and cover (UL94-HB) Also available to UL94-V0

APPROVALS

- Approved for transport by air. D.O.T., I.A.T.A., F.A.A. and C.A.B. certified
- U.L recognized
- ISO9001:2015 – Quality management systems

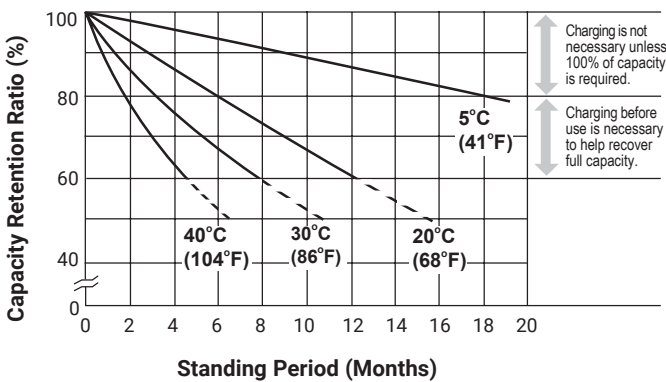
PERFORMANCE SPECIFICATIONS

Nominal Voltage	12 volts (6 cells)	
Nominal Capacity		
20-hr.	(4.0A to 10.50 volts)	80.0 AH
10-hr.	(7.50A to 10.50 volts)	75.0 AH
8-hr.	(9.17A to 10.50 volts)	73.4 AH
5-hr.	(13.2A to 10.20 volts)	65.8 AH
1-hr.	(48.5A to 9.00 volts)	48.5 AH
CCA	480A	
Approximate Weight	50.0 lbs. (22.7 kg)	
Internal Resistance (approx.)	6.6 milliohms	
Max Discharge Current (7 Min.)	240.0 amperes	
Max Short-Duration Discharge Current (10 Sec.)	800 amperes	
Shelf Life (% of nominal capacity at 68°F (20°C))		
1 Month		97%
3 Month		91%
6 Month		83%
Operating Temperature Range		
Charge	5°F (-15°C) to 122°F (50°C)	
Discharge	-4°F (-20°C) to 140°F (60°C)	
Case	ABS Plastic	
Power Sonic Chargers	PSC-1210000A-C PSC-1210000-PC	

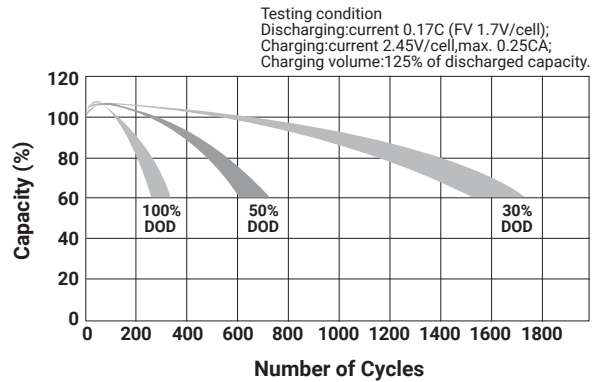
PDC-12800 12V 80.0 AH @ 20-hr. 12V 75.0 AH @ 10-hr.

Rechargeable Sealed Lead Acid Battery
PDC – Deep Cycle AGM Series

SHELF LIFE & STORAGE



CYCLE LIFE IN RELATION TO DEPTH OF DISCHARGE



CHARGING

Cycle Applications: Apply constant voltage charge at 2.35v/c – 2.45v/c (14.1 – 14.7v for 12v Monobloc) at 20°C. Initial charging current should be set at less than 22.5Amps. Switch to float charge to avoid overcharging.

“Float” or “Stand-By” Service: Apply constant voltage charge of 2.25v/c – 2.30v/c (13.5 to 13.8 volts for 12v Monobloc) at 20°C. When held at this voltage, the battery will seek its own current level and maintain itself in a fully charged condition.

Temperature Compensation: Charging Voltage for both Cyclic and Standby applications should be regulated in relation to ambient temperature. As temperature rises charging voltage should be reduced to prevent overcharge and increased as temperature falls to avoid undercharge.

For further charging information including temperature compensation factors, see Power Sonic Technical Manual/ Power Sonic Charger specifications.

APPLICATIONS

- Medical
- Wind
- Golf Carts
- Solar
- Mobility

SEALED PERFORMANCE BATTERIES

SPB National Head Office

1 Ant Rd, Yatala
Brisbane, QLD, 4207
Australia
T: +61 1300 001 772
E: info@spb.net.au
W: spb.net.au

SEALED PERFORMANCE BATTERIES

SPB Sydney Office

2/28 Prime Drive
Seven Hills, NSW, 2147 Australia
SPB Melbourne Office
3/35 Dunop Rd
Mulgrave, VIC, 3170, Australia

CHARGERS

Power Sonic offers a wide range of chargers suitable for batteries with a variety of capacities.

Please refer to our website for more information on our switch mode and transformer type chargers.

Please contact our technical department for advice if you have difficulty in locating a suitable charger.

FURTHER INFORMATION

Please refer to our website www.power-sonic.com for a complete range of useful downloads, such as product catalogs, material safety data sheets (MSDS), ISO certification, etc.

