

# SOLENOID VALVES

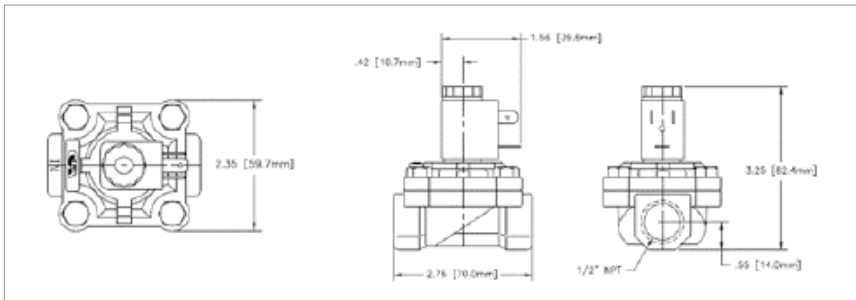
1/2" NPT | NYLON BODY | 2-WAY PILOTED | NORMALLY CLOSED

SPECIFICATIONS	
<b>Materials</b>	
Seals	Nitrile
Orifice	Nylon, Reinforced
Mounting Position	Any
<b>Electrical</b>	
Standard Housing	DIN 43650 Form B
Standard Voltage	24vAC 60Hz 6.5vA
Voltage Tolerance	±10% of applicable voltage
Coil Class	H
<b>Operating Temperature</b>	
Ambient (Nominal)	32°F to 125°F
<b>Approvals</b>	
Agencies	cURus, CE

**204908 (1/2")**

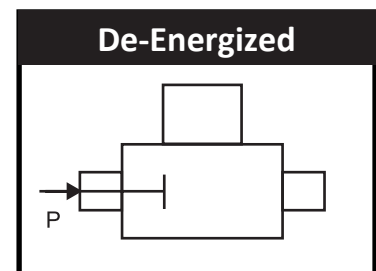
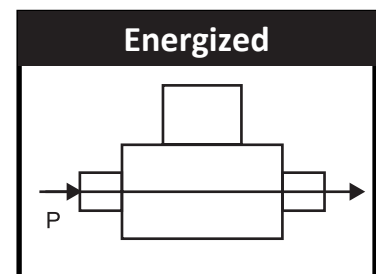
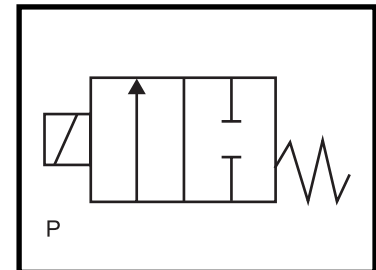


## DIMENSIONS



Pipe Size (NPT)	1/2
Orifice Size (in)	5/8
Cv	4.3
Operating Pressure Differential–Minimum Water (psi)	5
Operating Pressure Differential–Maximum Water (psi)	AC: 150 / DC: 150
Maximum Fluid Temperature (°F)	125
Diaphragm Material	Nitrile
Power Consumption	24 AC (volts), 6.5 (vA)
Model Code	Nylon Body–204908

Coil Data (AC Coil Family)	
Voltage	24vAC DIN
Coil Number	C987
Kit Data	
Operator Kit	KSC3102VDA5
Rebuild Kit	KSP3102MHD



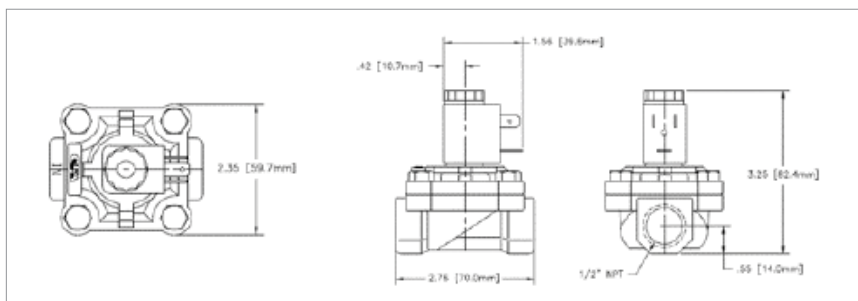
# 1/2" NPT | NYLON BODY | 2-WAY PILOTED | NORMALLY CLOSED

SPECIFICATIONS	
<b>Materials</b>	
Seals	Nitrile
Orifice	Nylon, Reinforced
Mounting Position	Any
<b>Electrical</b>	
Standard Housing	DIN 43650 Form B
Standard Voltage	120vAC 60Hz 6.5vA
Voltage Tolerance	±10% of applicable voltage
Coil Class	H
<b>Operating Temperature</b>	
Ambient (Nominal)	32°F to 125°F
<b>Approvals</b>	
Agencies	cURus, CE

204909 (1/2")

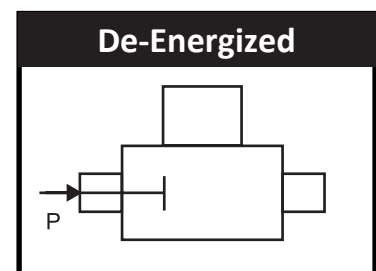
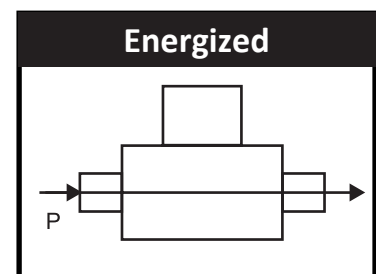
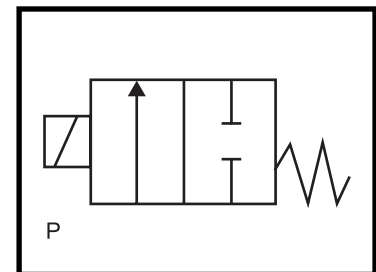


## DIMENSIONS



Pipe Size (NPT)	1/2
Orifice Size (in.)	5/8
Cv	4.3
Operating Pressure Differential– Minimum Water (psi)	5
Operating Pressure Differential– Maximum Water (psi)	AC: 150 / DC: 150
Maximum Fluid Temperature (°F)	125
Diaphragm Material	Nitrile
Power Consumption	120 AC (volts), 6.5 (vA)
Model Code	Nylon Body–204909

Coil Data (AC Coil Family)	
Voltage	120vAC DIN
Coil Number	C944(w)
Kit Data	
Operator Kit	KSC3102VDA5
Rebuild Kit	KSP3102MHD



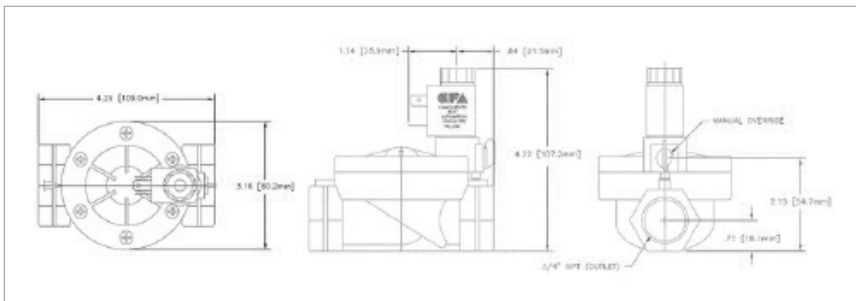
# 3/4" NPT | NYLON BODY | 2-WAY PILOTED NORMALLY CLOSED | MANUAL OVERRIDE

SPECIFICATIONS	
<b>Materials</b>	
Seals	EPDM
Orifice	Nylon, Reinforced
Mounting Position	Any
<b>Electrical</b>	
Standard Housing	DIN 43650 Form B
Standard Voltage	120vAC 60Hz 6.5vA
Voltage Tolerance	±10% of applicable voltage
Coil Class	H
<b>Operating Temperature</b>	
Ambient (Nominal)	32°F to 125°F
<b>Approvals</b>	
Agencies	cURus, CE

204911 (3/4")

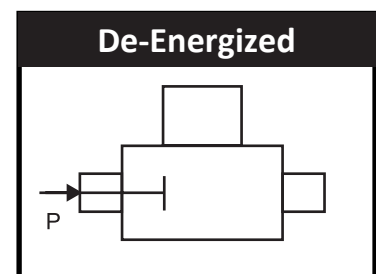
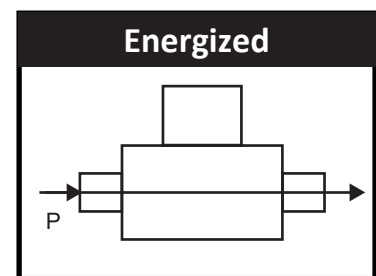
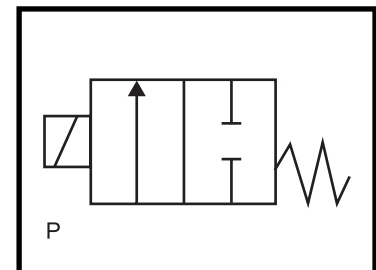


## DIMENSIONS



Pipe Size (NPT)	3/4
Orifice Size (in.)	27
Cv	9.7
Operating Pressure Differential–Minimum Water (psi)	5
Operating Pressure Differential–Maximum Water (psi)	AC: 150 / DC: 150
Maximum Fluid Temperature (°F)	125
Diaphragm Material	EPDM
Power Consumption	120 AC (volts), 6.5 (vA)
Model Code	Nylon Body–204911

Coil Data (AC Coil Family)	
Voltage	120vAC DIN
Coil Number	C944(w)
Kit Data	
Operator Kit	KSC3102VDA5
Rebuild Kit	KSP3102MGE



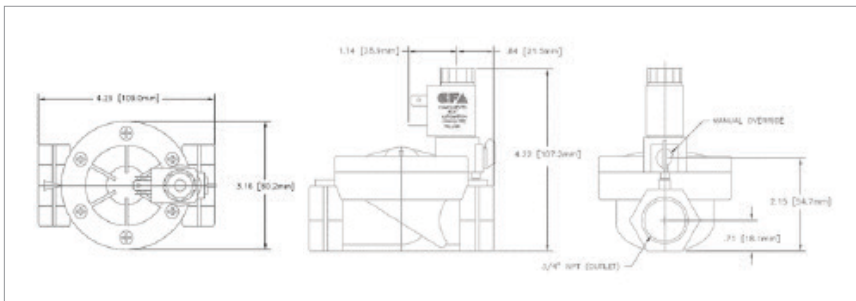
# 3/4" NPT | NYLON BODY | 2-WAY PILOTED NORMALLY CLOSED | MANUAL OVERRIDE

SPECIFICATIONS	
<b>Materials</b>	
Seals	EPDM
Orifice	Nylon, Reinforced
Mounting Position	Any
<b>Electrical</b>	
Standard Housing	DIN 43650 Form B
Standard Voltage	198-250VAC 60Hz 6.5vA
Voltage Tolerance	±10% of 220 volts
Coil Class	H
<b>Operating Temperature</b>	
Ambient (Nominal)	32°F to 125°F
<b>Approvals</b>	
Agencies	cURus, CE

204912 (3/4")

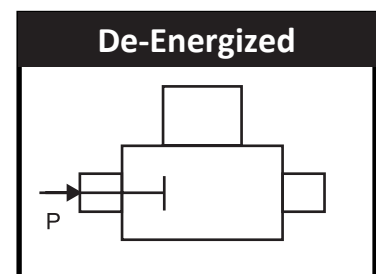
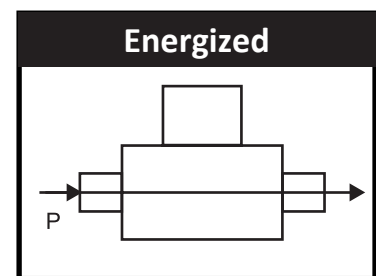
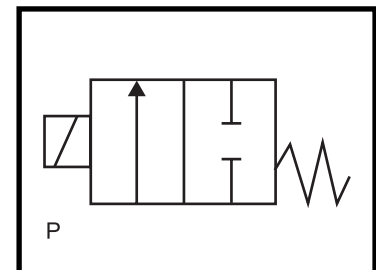


## DIMENSIONS



Pipe Size (NPT)	3/4
Orifice Size (in.)	27
Cv	9.7
Operating Pressure Differential–Minimum Water (psi)	5
Operating Pressure Differential–Maximum Water (psi)	AC: 150 / DC: 150
Maximum Fluid Temperature (°F)	125
Diaphragm Material	EPDM
Power Consumption	198-250 AC (volts), 6.5 (vA)
Model Code	Nylon Body–204912

Coil Data	
Voltage	198-250VAC DIN
Coil Number	C802(w)-AXEON®
Kit Data	
Operator Kit	KSC3102VDA5
Rebuild Kit	KSP3102MGE



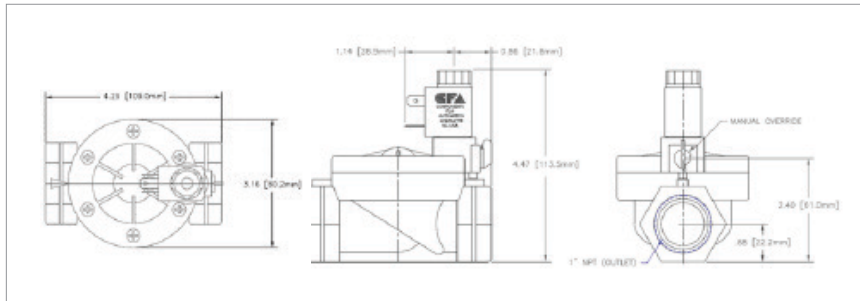
# 1" NPT | NYLON BODY | 2-WAY PILOTED NORMALLY CLOSED | MANUAL OVERRIDE

SPECIFICATIONS	
<b>Materials</b>	
Seals	EPDM
Orifice	Nylon, Reinforced
Mounting Position	Any
<b>Electrical</b>	
Standard Housing	DIN 43650 Form B
Standard Voltage	120vAC 60Hz 6.5vA
Voltage Tolerance	±10% of applicable voltage
Coil Class	H
<b>Operating Temperature</b>	
Ambient (Nominal)	32°F to 125°F
<b>Approvals</b>	
Agencies	cURus, CE

204913 (1")

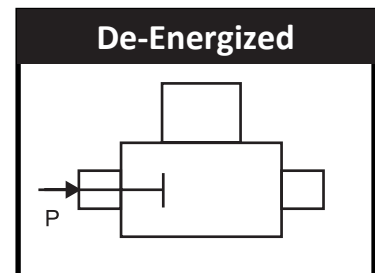
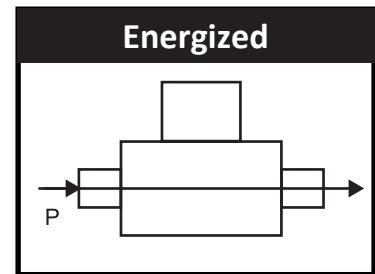
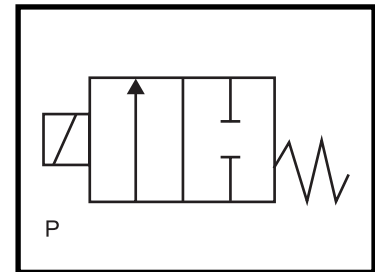


## DIMENSIONS



Pipe Size (NPT)	1
Orifice Size (in.)	27
Cv	13.9
Operating Pressure Differential–Minimum Water (psi)	5
Operating Pressure Differential–Maximum Water (psi)	AC: 150 / DC: 150
Maximum Fluid Temperature (°F)	125
Diaphragm Material	EPDM
Power Consumption	120 AC (volts), 6.5 (vA)
Model Code	Nylon Body–204913

Coil Data (AC Coil Family)	
Voltage	120vAC DIN
Coil Number	C944(w)
Kit Data	
Operator Kit	KSC3102VDA5
Rebuild Kit	KSP3102MGF



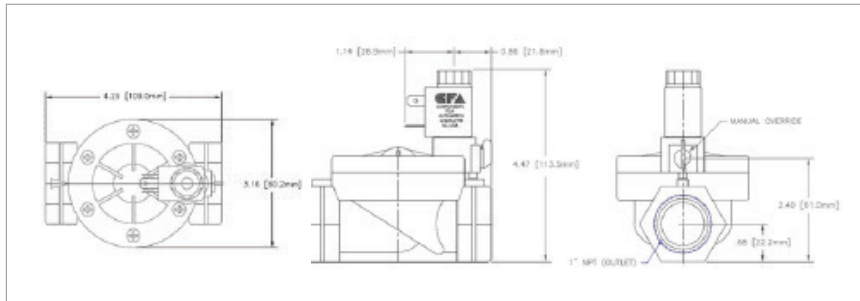
# 1" NPT | NYLON BODY | 2-WAY PILOTED NORMALLY CLOSED | MANUAL OVERRIDE

SPECIFICATIONS	
<b>Materials</b>	
Seals	EPDM
Orifice	Nylon, Reinforced
Mounting Position	Any
<b>Electrical</b>	
Standard Housing	DIN 43650 Form B
Standard Voltage	198-250VAC 60Hz 6.5VA
Voltage Tolerance	±10% of 220 volts
Coil Class	H
<b>Operating Temperature</b>	
Ambient (Nominal)	32°F to 125°F
<b>Approvals</b>	
Agencies	cURus, CE

204914 (1")

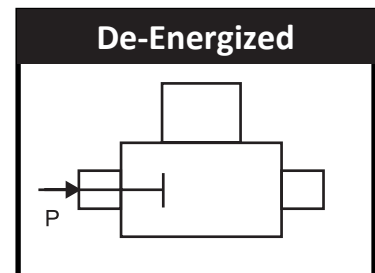
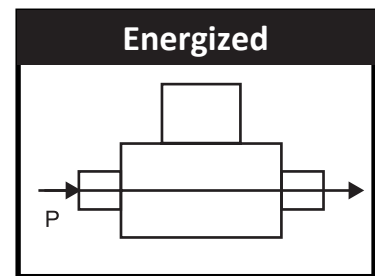
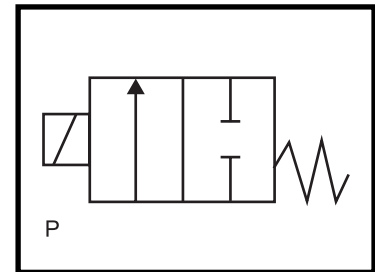


## DIMENSIONS



Pipe Size (NPT)	1
Orifice Size (in.)	27
Cv	13.9
Operating Pressure Differential–Minimum Water (psi)	5
Operating Pressure Differential–Maximum Water (psi)	AC: 150 / DC: 150
Maximum Fluid Temperature (°F)	125
Diaphragm Material	EPDM
Power Consumption	198-250 AC (volts), 6.5 (vA)
Model Code	Nylon Body–204914

Coil Data (AC Coil Family)	
Voltage	120VAC DIN
Coil Number	C802(w)-AXEON
Kit Data	
Operator Kit	KSC3102VDA5
Rebuild Kit	KSP3102MGF



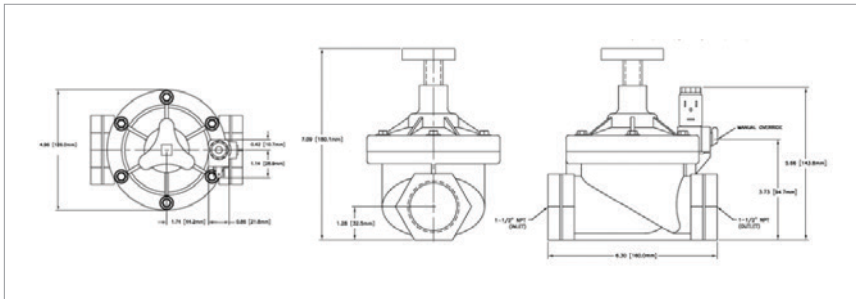
# 1 1/2" NPT | NYLON BODY | 2-WAY PILOTED NORMALLY CLOSED | MANUAL OVERRIDE

SPECIFICATIONS	
<b>Materials</b>	
Seals	NR
Orifice	Nylon, Reinforced
Mounting Position	Any
<b>Electrical</b>	
Standard Housing	DIN 43650 Form B
Standard Voltage	198-250vAC 60Hz 6.5vA
Voltage Tolerance	±10% of 220 volts
Coil Class	H
<b>Operating Temperature</b>	
Ambient (Nominal)	32°F to 125°F
<b>Approvals</b>	
Agencies	cURus, CE

204918 (1 1/2")

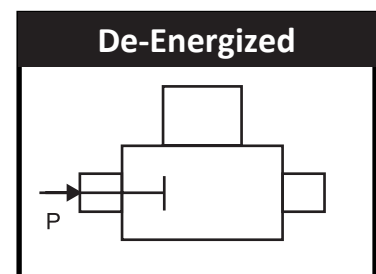
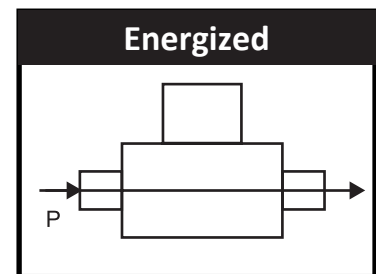
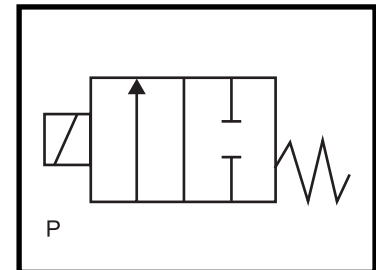


## DIMENSIONS



Pipe Size (NPT)	1 1/2
Orifice Size (in.)	55
Cv	36.0
Operating Pressure Differential–Minimum Water (psi)	5
Operating Pressure Differential–Maximum Water (psi)	AC: 150 / DC: 150
Maximum Fluid Temperature (°F)	125
Diaphragm Material	NR
Power Consumption	198-250 AC (volts), 6.5 (vA)
Model Code	Nylon Body–204918

Coil Data (AC Coil Family)	
Voltage	198-250vAC DIN
Coil Number	C802(w)–AXEON
Kit Data	
Operator Kit	KSC3102VDA5
Rebuild Kit	KP31MGH





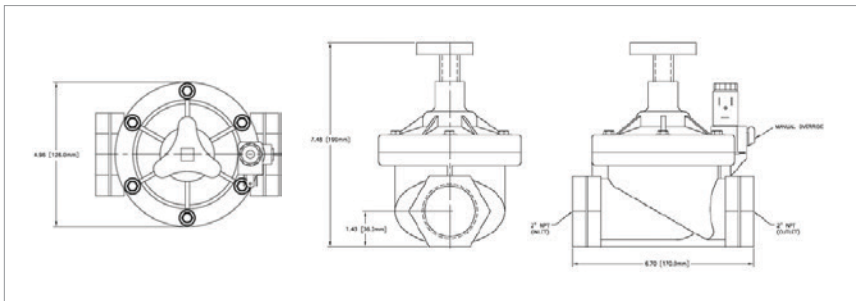
# 2" NPT | NYLON BODY | 2-WAY PILOTED NORMALLY CLOSED | MANUAL OVERRIDE

SPECIFICATIONS	
<b>Materials</b>	
Seals	NR
Orifice	Nylon, Reinforced
Mounting Position	Any
<b>Electrical</b>	
Standard Housing	DIN 43650 Form B
Standard Voltage	198-250vAC 60Hz 6.5vA
Voltage Tolerance	±10% of 220 volts
Coil Class	H
<b>Operating Temperature</b>	
Ambient (Nominal)	32°F to 125°F
<b>Approvals</b>	
Agencies	cURus, CE

204920 (2")

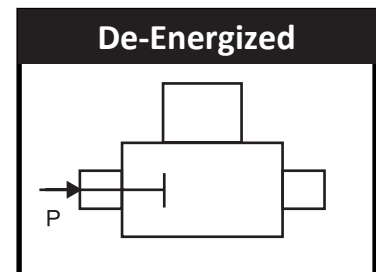
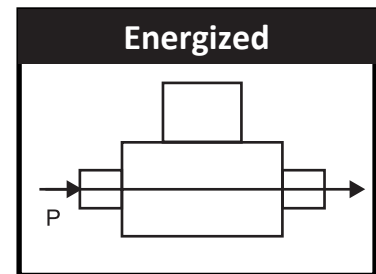
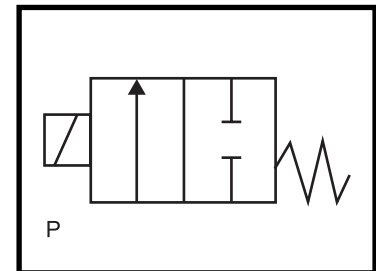


## DIMENSIONS



Pipe Size (NPT)	2
Orifice Size (in.)	55
Cv	41.6
Operating Pressure Differential–Minimum Water (psi)	5
Operating Pressure Differential–Maximum Water (psi)	AC: 150 / DC: 150
Maximum Fluid Temperature (°F)	125
Diaphragm Material	NR
Power Consumption	198-250 AC (volts), 6.5 (vA)
Model Code	Nylon Body–204920

Coil Data (AC Coil Family)	
Voltage	198-250vAC DIN
Coil Number	C802(w)-AXEON
Kit Data	
Operator Kit	KSC3102VDA5
Rebuild Kit	KP31MGH



800-320-4074

AXEONwater.com



©2021 AXEON Water Technologies