

EU DOUBLE DIMMER IN GRAPHITE

tala®

SKU: ACC-DIM-DBL-GRAP-01-EU

FINISH: GRAPHITE

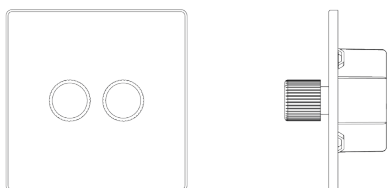
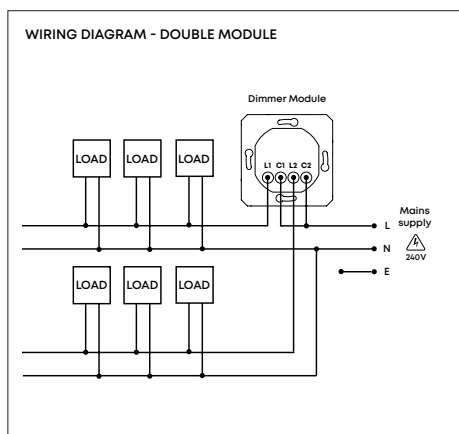


PHYSICAL

Dimension:	L52mm x W88mm x H88mm
Materials:	Stainless steel and Aluminium
Finish:	Graphite
Weight:	160g
Max. working temp.:	45°C
IP rating:	IP20 - Suitable for dry locations
Recommended backbox depth:	40mm
Depth from Mounting Face:	28mm
Fixing centres:	60 mm

ELECTRICAL

Max power per gang:	
LED:	2-100W
Incandescent:	10-150W
Voltage:	220-240V
Frequency:	50Hz
Dimming Technology:	Trailing edge



LOGISTICAL

Unit Packaging
PC/Ctn: 1
Gross weight: 240g
L 101 x W 101 x H 56 mm

Tala Energy Ltd. 25b Vyner Street,
London, E2 9DG, United Kingdom

WARRANTY

2 years

Tala Europe B.V. Bertus Aafjeshove 40
Nieuwegein 3437 JN

EAN

5061046292335

tala.co.uk | hello@tala.co.uk | +44 7700 170343