



PL-15 PVC Compression Shower Drain

Features

- Use with Fiberglass, Acrylic, SMC, And Solid Surface Shower Pans And Stalls
- Perfect For Preformed Shower Pans
- Compatible With 2" ABS And PVC Pipe
- Use Included Crimp-Down Tightening Tool, No-Caulk Required
- Drain Rim Fully Covered By Metal 4-1/4" OD Cover






Material

- PVC With Stainless Steel Cover

Available Color/Finishes

Intended for reference only

Color	Description
	Chrome
	Brushed Nickel
	Matte Black

Codes / Standards

- ADA Compliant

6140 Ulmerton Road Clearwater, FL 33760
Phone: (727) 388-9895
Fax: (727) 362-1281

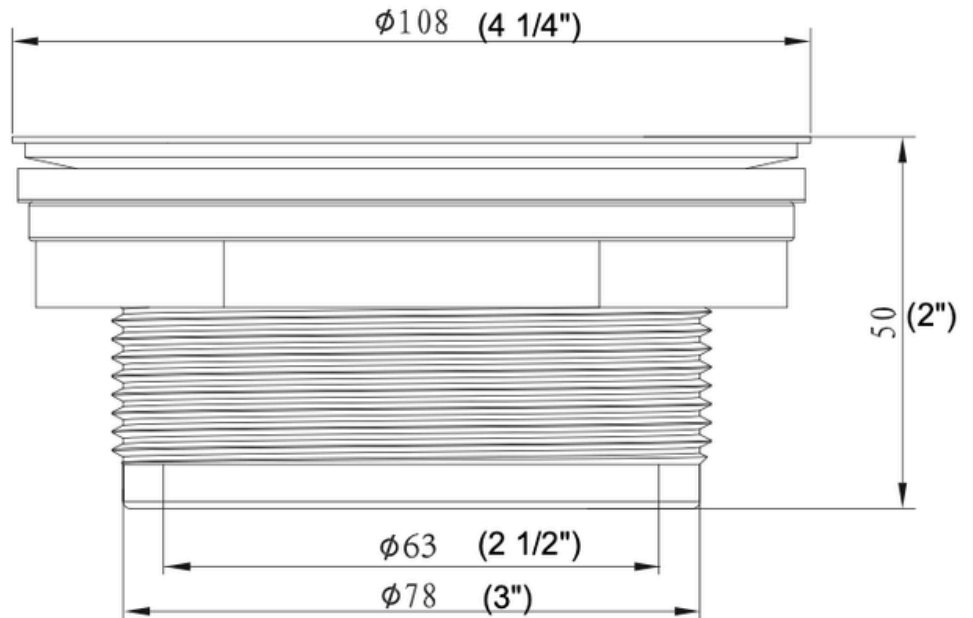
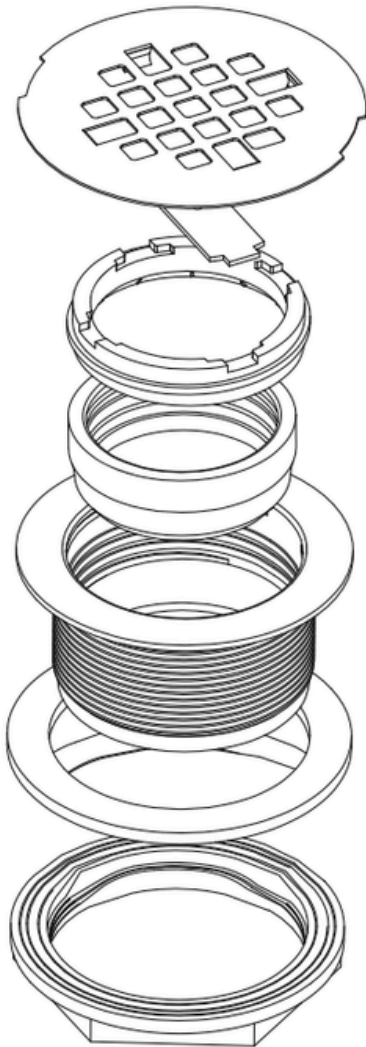
For the most current Specification Sheet, go to www.buildpelican.com





PL-15

PVC Compression
Shower Drain



6140 Ulmerton Road Clearwater, FL 33760

Phone: (727) 388-9895

Fax: (727) 362-1281

For the most current Specification Sheet, go to www.buildpelican.com

