



PL-GMB135 R0 *Obsidian Series* Stainless Steel Sink

Features

- Single Bowl
- Retrofit Apron Front Allows for Install Into Existing, Standard Kitchen Cabinets Without Requiring Remodel or Custom Cabinets
- Handcrafted Corners
- Fitted Sound Deadening Pads
- Creases at the Bottom Promote Quick Draining



*Side View of
Retrofit Apron Front*

Material



- 16-Gauge Stainless Steel

Installation

- Apron Front, Undermount

Available Color/Finishes

Intended for reference only

Color	Description
	Gunmetal Black
	Stainless Steel

6140 Ulmerton Road Clearwater, FL 33760

Phone: (727) 388-9895

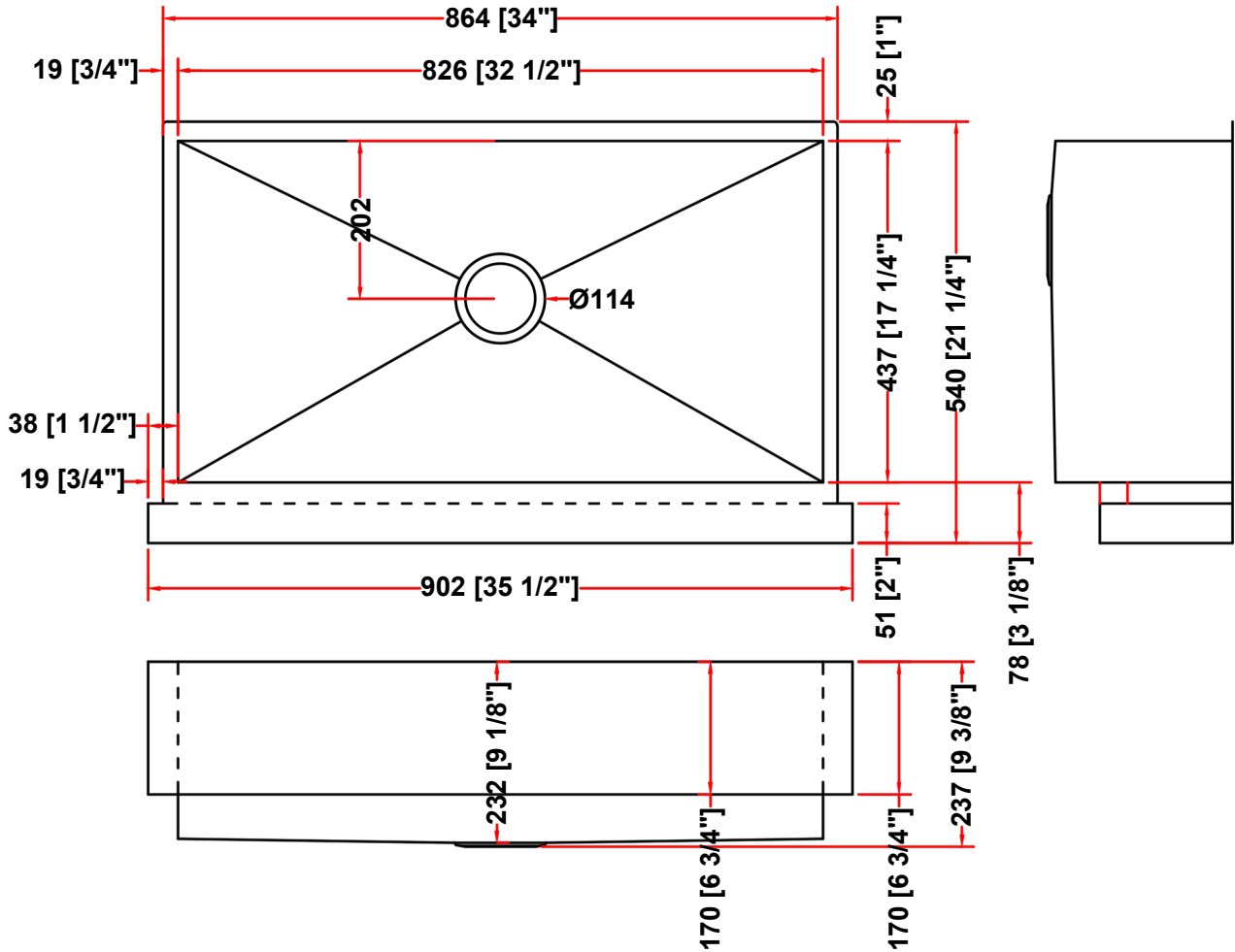
Fax: (727) 362-1281

For the most current Specification Sheet, go to www.buildpelican.com





PL-GMB135 R0
Obsidian Series
 Stainless Steel Sink



Technical Information

All product dimensions are nominal
 Exterior Measurements: 35 1/2" x 21 1/4" x 9 3/8"
 Interior Measurements: 32 1/2" x 17 1/4" x 9 1/8"
 Bowl Configuration: Single

Installation Information

Install this product according to the installation instructions.

Limited Lifetime Warranty

See website for detailed warranty information.

JOB INFORMATION

JOB NAME: _____ MODEL SPECIFIED: _____ QUANTITY: _____
 DATE: _____ ARCHITECT/ENGINEER: _____
 CUSTOMER: _____ CONTRACTOR: _____

6140 Ulmerton Road Clearwater, FL 33760
 Phone: (727) 388-9895
 Fax: (727) 362-1281

For the most current Specification Sheet, go to www.buildpelican.com

